

# LISTA DE APLICACIONES - BUYERS GUIDE

## RB1349

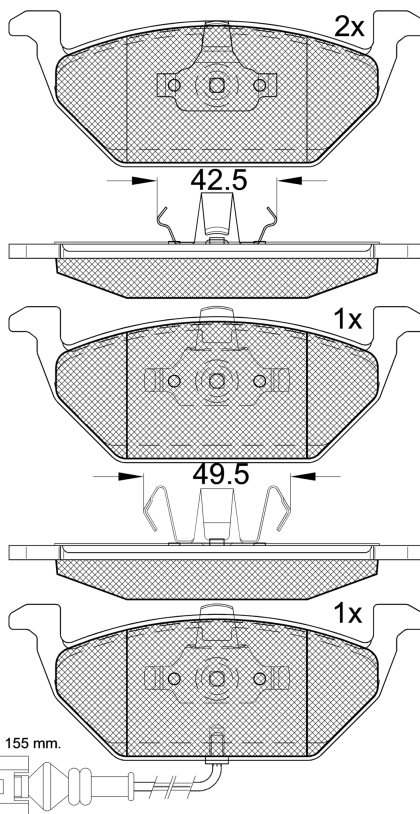


8 424073 129345

Qty: 300

Weight: 1.600

O.E.M.	MAKE
1J0 698 151 D	VW
1J0 698 151 E	VW
1J0 698 151 F	VW
1J0 698 151 G	SKODA
1J0698151P	VW
1JE 698 151 A	VW
1K0 698 151 A	VW
1K0 698 151 D	VW
1K0 698 151 F	SEAT
1K0 698 151 J	VW
1K0 698 151 K	SKODA
1K0 798 151 D	SKODA
1K0698151M	SEAT
6RD 698 151 B	VW
86 60 004 643	RENAULT
86 71 016 553	RENAULT
8Z0 698 151 A	VW
JZ0 698 151	SKODA



## RB1349

**E1** 90R-01101/184



Ate - Teves

146x54.7x19.6

146.1x54.8x19.6

WVA	FMSI
21974	D768-7709
23130	
23131	
23187	
23188	

Sin Filas



Trac.	CC	Kw	CV
-------	----	----	----



Front / Rear

### AUDI

A2 (8Z0) 02.00-08.05					[CAMBIADO]:Fastback (Supermini car-B Segment)			
1.4 (AUA)	Gasolina	FWD	1390	55	75	02.00-08.05	*	
1.4 (BBY)	Gasolina	FWD	1390	55	75	02.00-08.05	*	
1.6 FSI (BAD)	Gasolina	FWD	1598	81	110	05.02-08.05	*	
1.4 TDI (AMF)	Diesel	FWD	1422	55	75	02.00-08.05	*	
1.4 TDI (BHC)	Diesel	FWD	1422	55	75	02.00-08.05	*	
1.4 TDI (ATL)	Diesel	FWD	1422	66	90	11.03-08.05	*	
A3 (8L1) 09.96-09.06					[CAMBIADO]:Fastback (Compact executive car-D Segment)			
1.6 (AEH)	Gasolina	FWD	1595	74	101	09.96-05.03	*	
1.6 (AKL)	Gasolina	FWD	1595	74	101	09.96-05.03	*	
1.6 (APF)	Gasolina	FWD	1595	74	101	09.96-05.03	*	
1.6 (AVU)	Gasolina	FWD	1595	75	102	08.00-05.03	*	
1.6 (BFQ)	Gasolina	FWD	1595	75	102	08.00-05.03	*	
1.8 (AGN)	Gasolina	FWD	1781	92	125	09.96-05.03	*	
1.8 (APG)	Gasolina	FWD	1781	92	125	09.96-05.03	*	
1.8 T (AGU)	Gasolina	FWD	1781	110	150	12.96-05.03	*	
1.8 T (AQA)	Gasolina	FWD	1781	110	150	12.96-05.03	*	
1.8 T (ARZ)	Gasolina	FWD	1781	110	150	12.96-05.03	*	
1.8 T (AUM)	Gasolina	FWD	1781	110	150	12.96-05.03	*	
1.8 T (AJQ)	Gasolina	FWD	1781	132	180	12.98-05.03	*	
1.8 T (APP)	Gasolina	FWD	1781	132	180	12.98-05.03	*	
1.8 T (ARY)	Gasolina	FWD	1781	132	180	12.98-05.03	*	
1.8 T (AUQ)	Gasolina	FWD	1781	132	180	12.98-05.03	*	

# LISTA DE APLICACIONES - BUYERS GUIDE

1.9 TDI (AGR)		Diesel	FWD	1896	66	90	09.96-07.01	*	
1.9 TDI (ALH)		Diesel	FWD	1896	66	90	09.96-07.01	*	
1.9 TDI (ATD)		Diesel	FWD	1896	74	100	10.00-05.03	*	
1.9 TDI (AXR)		Diesel	FWD	1896	74	100	10.00-05.03	*	
1.9 TDI (AHF)		Diesel	FWD	1896	81	110	08.97-07.01	*	
1.9 TDI (ASV)		Diesel	FWD	1896	81	110	08.97-07.01	*	
1.9 TDI (ASZ)		Diesel	FWD	1896	96	130	08.00-05.03	*	
1.9 TDI quattro (ASZ)		Diesel	4WD	1896	96	130	08.00-05.03	*	
<b>A3 II (8P1) 05.03-12.13</b>							<b>[CAMBIADO]:Fastback (Compact executive car-D Segment)</b>		
1.2 TSI (CBZB)		Gasolina	FWD	1197	77	105	04.10-08.12	*	
1.4 TFSI (CAXC)		Gasolina	FWD	1390	92	125	09.07-08.12	*	
1.4 TFSI (CMSA)		Gasolina	FWD	1390	92	125	09.07-08.12	*	
1.6 (BGU)		Gasolina	FWD	1595	75	102	05.03-08.12	*	
1.6 (BSE)		Gasolina	FWD	1595	75	102	05.03-08.12	*	
1.6 (BSF)		Gasolina	FWD	1595	75	102	05.03-08.12	*	
1.6 FSI (BAG)		Gasolina	FWD	1598	85	115	08.03-09.07	*	
1.6 FSI (BLF)		Gasolina	FWD	1598	85	115	08.03-09.07	*	
1.6 FSI (BLP)		Gasolina	FWD	1598	85	115	08.03-09.07	*	
1.8 T (BPU)		Gasolina	FWD	1781	110	150	08.06-08.12	*	
1.8 TFSI (BYT)		Gasolina	FWD	1798	118	160	11.06-08.12	*	
1.8 TFSI (BZB)		Gasolina	FWD	1798	118	160	11.06-08.12	*	
1.8 TFSI (CDAA)		Gasolina	FWD	1798	118	160	11.06-08.12	*	
1.8 TFSI quattro (CDAA)		Gasolina	4WD	1798	118	160	07.08-08.12	*	
2.0 FSI (AXW)		Gasolina	FWD	1984	110	150	05.03-06.08	*	
2.0 FSI (BLR)		Gasolina	FWD	1984	110	150	05.03-06.08	*	
2.0 FSI (BLX)		Gasolina	FWD	1984	110	150	05.03-06.08	*	
2.0 FSI (BLY)		Gasolina	FWD	1984	110	150	05.03-06.08	*	
2.0 FSI (BMB)		Gasolina	FWD	1984	110	150	05.03-06.08	*	
2.0 FSI (BVY)		Gasolina	FWD	1984	110	150	05.03-06.08	*	
2.0 FSI (BVZ)		Gasolina	FWD	1984	110	150	05.03-06.08	*	
2.0 TFSI (AXX)		Gasolina	FWD	1984	147	200	09.04-08.12	*	
2.0 TFSI (BWA)		Gasolina	FWD	1984	147	200	09.04-08.12	*	
2.0 TFSI (CAWB)		Gasolina	FWD	1984	147	200	09.04-08.12	*	
2.0 TFSI (CCZA)		Gasolina	FWD	1984	147	200	09.04-08.12	*	
2.0 TFSI quattro (AXX)		Gasolina	4WD	1984	147	200	09.04-08.12	*	
2.0 TFSI quattro (BWA)		Gasolina	4WD	1984	147	200	09.04-08.12	*	
2.0 TFSI quattro (CBFA)		Gasolina	4WD	1984	147	200	09.04-08.12	*	
2.0 TFSI quattro (CCTA)		Gasolina	4WD	1984	147	200	09.04-08.12	*	
2.0 TFSI quattro (CCZA)		Gasolina	4WD	1984	147	200	09.04-08.12	*	
S3 quattro (BZC)		Gasolina	4WD	1984	188	256	02.07-08.12	*	
S3 quattro (CDLC)		Gasolina	4WD	1984	188	256	02.07-08.12	*	
S3 quattro (BHZ)		Gasolina	4WD	1984	195	265	11.06-08.12	*	
S3 quattro (CDLA)		Gasolina	4WD	1984	195	265	11.06-08.12	*	
3.2 V6 quattro (BDB)		Gasolina	4WD	3189	184	250	07.03-05.09	*	
3.2 V6 quattro (BMJ)		Gasolina	4WD	3189	184	250	07.03-05.09	*	
3.2 V6 quattro (BUB)		Gasolina	4WD	3189	184	250	07.03-05.09	*	
1.6 E-Power (CCSA)		Gasol./Etanol	FWD	1595	75	102	01.11-08.12	*	
1.6 E-Power (CMXA)		Gasol./Etanol	FWD	1595	75	102	01.11-08.12	*	
1.6 TDI (CAYB)		Diesel	FWD	1598	66	90	05.09-08.12	*	
1.6 TDI (CAYC)		Diesel	FWD	1598	77	105	05.09-08.12	*	

# LISTA DE APLICACIONES - BUYERS GUIDE

1.9 TDI (BKC)		Diesel	FWD	1896	77	105	05.03-05.10	*
1.9 TDI (BLS)		Diesel	FWD	1896	77	105	05.03-05.10	*
1.9 TDI (BXE)		Diesel	FWD	1896	77	105	05.03-05.10	*
2.0 TDI (AZV)		Diesel	FWD	1968	100	136	05.03-08.12	*
2.0 TDI (CBAA)		Diesel	FWD	1968	100	136	05.03-08.12	*
2.0 TDI (CFFA)		Diesel	FWD	1968	100	136	05.03-08.12	*
2.0 TDI quattro (AZV)		Diesel	4WD	1968	100	136	05.03-06.08	*
2.0 TDI (BMM)		Diesel	FWD	1968	103	140	06.05-06.08	*
2.0 TDI 16V (BKD)		Diesel	FWD	1968	103	140	05.03-08.12	*
2.0 TDI 16V (CBAB)		Diesel	FWD	1968	103	140	05.03-08.12	*
2.0 TDI 16V (CBEA)		Diesel	FWD	1968	103	140	05.03-08.12	*
2.0 TDI 16V (CFFB)		Diesel	FWD	1968	103	140	05.03-08.12	*
2.0 TDI 16V (CLJA)		Diesel	FWD	1968	103	140	05.03-08.12	*
2.0 TDI 16V quattro (BKD)		Diesel	4WD	1968	103	140	08.04-08.12	*
2.0 TDI 16V quattro (CBAB)		Diesel	4WD	1968	103	140	08.04-08.12	*
2.0 TDI 16V quattro (CFFB)		Diesel	4WD	1968	103	140	08.04-08.12	*
2.0 TDI quattro (BMM)		Diesel	4WD	1968	103	140	01.06-06.08	*
2.0 TDI (BUY)		Diesel	FWD	1968	120	163	06.06-06.08	*
2.0 TDI (BMN)		Diesel	FWD	1968	125	170	03.06-08.12	*
2.0 TDI (CBBB)		Diesel	FWD	1968	125	170	03.06-08.12	*
2.0 TDI (CFGB)		Diesel	FWD	1968	125	170	03.06-08.12	*
2.0 TDI quattro (BMN)		Diesel	4WD	1968	125	170	03.06-08.12	*
2.0 TDI quattro (CBBB)		Diesel	4WD	1968	125	170	03.06-08.12	*
2.0 TDI quattro (CFGB)		Diesel	4WD	1968	125	170	03.06-08.12	*
<b>A3 II (8P7) 04.08-12.13</b>						<b>Cabrio (Compact executive car-D Segment)</b>		
1.2 TFSI (CBZB)		Gasolina	FWD	1197	77	105	03.10-05.13	*
1.4 TFSI (CAXC)		Gasolina	FWD	1390	92	125	02.11-05.13	*
1.6 (BSE)		Gasolina	FWD	1595	75	102	09.08-05.10	*
1.8 TFSI (BZB)		Gasolina	FWD	1798	118	160	04.08-05.13	*
1.8 TFSI (CDAA)		Gasolina	FWD	1798	118	160	04.08-05.13	*
2.0 TFSI (CAWB)		Gasolina	FWD	1984	147	200	04.08-05.13	*
2.0 TFSI (CCZA)		Gasolina	FWD	1984	147	200	04.08-05.13	*
1.6 TDI (CAYC)		Diesel	FWD	1598	77	105	05.09-05.13	*
1.9 TDI (BLS)		Diesel	FWD	1896	77	105	04.08-10.09	*
2.0 TDI (CBAA)		Diesel	FWD	1968	100	136	04.08-05.13	*
2.0 TDI (CFFA)		Diesel	FWD	1968	100	136	04.08-05.13	*
2.0 TDI (CBAB)		Diesel	FWD	1968	103	140	04.08-05.13	*
2.0 TDI (CFFB)		Diesel	FWD	1968	103	140	04.08-05.13	*
<b>A3 II Sportback (8PA) 09.04-12.15</b>						<b>[CAMBIADO]:Fastback (Compact executive car-D Segment)</b>		
1.2 TSI (CBZB)		Gasolina	FWD	1197	77	105	04.10-03.13	*
1.4 TFSI (CAXC)		Gasolina	FWD	1390	92	125	09.07-03.13	*
1.4 TFSI (CMSA)		Gasolina	FWD	1390	92	125	09.07-03.13	*
1.6 (BGU)		Gasolina	FWD	1595	75	102	09.04-03.13	*
1.6 (BSE)		Gasolina	FWD	1595	75	102	09.04-03.13	*
1.6 (BSF)		Gasolina	FWD	1595	75	102	09.04-03.13	*
1.6 FSI (BLF)		Gasolina	FWD	1598	85	115	09.04-09.07	*
1.6 FSI (BLP)		Gasolina	FWD	1598	85	115	09.04-09.07	*
1.8 TFSI (BYT)		Gasolina	FWD	1798	118	160	11.06-03.13	*
1.8 TFSI (BZB)		Gasolina	FWD	1798	118	160	11.06-03.13	*
1.8 TFSI (CDAA)		Gasolina	FWD	1798	118	160	11.06-03.13	*

# LISTA DE APLICACIONES - BUYERS GUIDE

1.8 TFSI quattro (CDAA)		Gasolina	4WD	1798	118	160	07.08-03.13	*
2.0 FSI (AXW)		Gasolina	FWD	1984	110	150	09.04-06.08	*
2.0 FSI (BLR)		Gasolina	FWD	1984	110	150	09.04-06.08	*
2.0 FSI (BLX)		Gasolina	FWD	1984	110	150	09.04-06.08	*
2.0 FSI (BLY)		Gasolina	FWD	1984	110	150	09.04-06.08	*
2.0 FSI (BMB)		Gasolina	FWD	1984	110	150	09.04-06.08	*
2.0 FSI (BVY)		Gasolina	FWD	1984	110	150	09.04-06.08	*
2.0 FSI (BVZ)		Gasolina	FWD	1984	110	150	09.04-06.08	*
2.0 TFSI (AXX)		Gasolina	FWD	1984	147	200	09.04-03.13	*
2.0 TFSI (BPY)		Gasolina	FWD	1984	147	200	09.04-03.13	*
2.0 TFSI (BWA)		Gasolina	FWD	1984	147	200	09.04-03.13	*
2.0 TFSI (CAWB)		Gasolina	FWD	1984	147	200	09.04-03.13	*
2.0 TFSI (CBFA)		Gasolina	FWD	1984	147	200	09.04-03.13	*
2.0 TFSI (CCTA)		Gasolina	FWD	1984	147	200	09.04-03.13	*
2.0 TFSI (CCZA)		Gasolina	FWD	1984	147	200	09.04-03.13	*
2.0 TFSI quattro (AXX)		Gasolina	4WD	1984	147	200	09.04-03.13	*
2.0 TFSI quattro (BPY)		Gasolina	4WD	1984	147	200	09.04-03.13	*
2.0 TFSI quattro (BWA)		Gasolina	4WD	1984	147	200	09.04-03.13	*
2.0 TFSI quattro (CBFA)		Gasolina	4WD	1984	147	200	09.04-03.13	*
2.0 TFSI quattro (CCTA)		Gasolina	4WD	1984	147	200	09.04-03.13	*
2.0 TFSI quattro (CCZA)		Gasolina	4WD	1984	147	200	09.04-03.13	*
S3 quattro (CDLC)		Gasolina	4WD	1984	188	256	07.08-03.13	*
S3 quattro (BHZ)		Gasolina	4WD	1984	195	265	06.08-03.13	*
S3 quattro (CDLA)		Gasolina	4WD	1984	195	265	06.08-03.13	*
3.2 V6 quattro (BDB)		Gasolina	4WD	3189	184	250	09.04-05.09	*
3.2 V6 quattro (BMJ)		Gasolina	4WD	3189	184	250	09.04-05.09	*
3.2 V6 quattro (BUB)		Gasolina	4WD	3189	184	250	09.04-05.09	*
1.6 E-Power (CCSA)		Gasol./Etanol	FWD	1595	75	102	01.11-03.13	*
1.6 E-Power (CMXA)		Gasol./Etanol	FWD	1595	75	102	01.11-03.13	*
1.6 TDI (CAYB)		Diesel	FWD	1598	66	90	05.09-03.13	*
1.6 TDI (CAYC)		Diesel	FWD	1598	77	105	05.09-03.13	*
1.9 TDI (BKC)		Diesel	FWD	1896	77	105	09.04-05.10	*
1.9 TDI (BLS)		Diesel	FWD	1896	77	105	09.04-05.10	*
1.9 TDI (BXE)		Diesel	FWD	1896	77	105	09.04-05.10	*
2.0 TDI (AZV)		Diesel	FWD	1968	100	136	09.04-03.13	*
2.0 TDI (CBAA)		Diesel	FWD	1968	100	136	09.04-03.13	*
2.0 TDI (CFFA)		Diesel	FWD	1968	100	136	09.04-03.13	*
2.0 TDI (BMM)		Diesel	FWD	1968	103	140	06.05-06.08	*
2.0 TDI 16V (BKD)		Diesel	FWD	1968	103	140	09.04-03.13	*
2.0 TDI 16V (CBAB)		Diesel	FWD	1968	103	140	09.04-03.13	*
2.0 TDI 16V (CBEA)		Diesel	FWD	1968	103	140	09.04-03.13	*
2.0 TDI 16V (CFFB)		Diesel	FWD	1968	103	140	09.04-03.13	*
2.0 TDI 16V (CLJA)		Diesel	FWD	1968	103	140	09.04-03.13	*
2.0 TDI 16V quattro (BKD)		Diesel	4WD	1968	103	140	11.05-03.13	*
2.0 TDI 16V quattro (CBAB)		Diesel	4WD	1968	103	140	11.05-03.13	*
2.0 TDI 16V quattro (CFFB)		Diesel	4WD	1968	103	140	11.05-03.13	*
2.0 TDI quattro (BMM)		Diesel	4WD	1968	103	140	01.06-06.08	*
2.0 TDI (BUY)		Diesel	FWD	1968	120	163	06.06-06.08	*
2.0 TDI quattro (BMN)		Diesel	4WD	1968	125	170	03.06-03.13	*
2.0 TDI quattro (CBBB)		Diesel	4WD	1968	125	170	03.06-03.13	*
2.0 TDI quattro (CFGB)		Diesel	4WD	1968	125	170	03.06-03.13	*

# LISTA DE APLICACIONES - BUYERS GUIDE

## SEAT

<b>ALTEA (5P1) 03.04-</b>					<b>MPV (Compact MPV-M1 Segment)</b>			
1.2 TSI (CBZB)	Gasolina	FWD	1197	77	105	04.10-07.15	*	
1.4 16V (BXW)	Gasolina	FWD	1390	63	86	05.06-05.11	*	
1.4 16V (CGGB)	Gasolina	FWD	1390	63	86	05.06-05.11	*	
1.4 TSI (CAXC)	Gasolina	FWD	1390	92	125	11.07-07.15	*	
1.6 (BGU)	Gasolina	FWD	1595	75	102	03.04-03.10	*	
1.6 (BSE)	Gasolina	FWD	1595	75	102	03.04-03.10	*	
1.6 (BSF)	Gasolina	FWD	1595	75	102	03.04-03.10	*	
1.6 (CCSA)	Gasolina	FWD	1595	75	102	03.04-03.10	*	
1.8 TFSI (BYT)	Gasolina	FWD	1798	118	160	01.07-07.15	*	
1.8 TFSI (BZB)	Gasolina	FWD	1798	118	160	01.07-07.15	*	
1.8 TFSI (CDAA)	Gasolina	FWD	1798	118	160	01.07-07.15	*	
2.0 FSI (BLR)	Gasolina	FWD	1984	110	150	05.04-03.09	*	
2.0 FSI (BLY)	Gasolina	FWD	1984	110	150	05.04-03.09	*	
2.0 FSI (BVY)	Gasolina	FWD	1984	110	150	05.04-03.09	*	
2.0 FSI (BVZ)	Gasolina	FWD	1984	110	150	05.04-03.09	*	
2.0 TFSI (BWA)	Gasolina	FWD	1984	147	200	04.06-05.09	*	
1.6 LPG (CHGA)	Gasol./Gas (LPG)	FWD	1595	75	102	09.09-06.13	*	
1.6 MultiFuel (CMXA)	Gasol./Etanol	FWD	1595	75	102	11.10-05.11	*	
1.6 TDI (CAYB)	Diesel	FWD	1598	66	90	11.10-07.15	*	
1.6 TDI (CAYC)	Diesel	FWD	1598	77	105	10.09-07.15	*	
1.9 TDI (BXF)	Diesel	FWD	1896	66	90	08.09-12.10	*	
1.9 TDI (BJB)	Diesel	FWD	1896	77	105	04.04-12.10	*	
1.9 TDI (BKC)	Diesel	FWD	1896	77	105	04.04-12.10	*	
1.9 TDI (BLS)	Diesel	FWD	1896	77	105	04.04-12.10	*	
1.9 TDI (BXE)	Diesel	FWD	1896	77	105	04.04-12.10	*	
2.0 TDI (AZV)	Diesel	FWD	1968	100	136	03.04-05.09	*	
2.0 TDI (BMM)	Diesel	FWD	1968	103	140	11.05-11.10	*	
2.0 TDI 16V (BKD)	Diesel	FWD	1968	103	140	03.04-07.15	*	
2.0 TDI 16V (CFHC)	Diesel	FWD	1968	103	140	03.04-07.15	*	
2.0 TDI 16V 4WD (CFHC)	Diesel	4WD	1968	103	140	10.10-	*	
2.0 TDI (BMN)	Diesel	FWD	1968	125	170	03.06-05.10	*	
2.0 TDI (CEGA)	Diesel	FWD	1968	125	170	03.06-05.10	*	
<b>ALTEA XL (5P5, 5P8) 10.06-</b>					<b>MPV (Compact MPV-M1 Segment)</b>			
1.2 TSI (CBZB)	Gasolina	FWD	1197	77	105	04.10-07.15	*	
1.4 16V (BXW)	Gasolina	FWD	1390	63	86	10.06-06.13	*	
1.4 16V (CGGB)	Gasolina	FWD	1390	63	86	10.06-06.13	*	
1.4 TSI (CAXC)	Gasolina	FWD	1390	92	125	11.07-07.15	*	
1.6 (BGU)	Gasolina	FWD	1595	75	102	10.06-11.10	*	
1.6 (BSE)	Gasolina	FWD	1595	75	102	10.06-11.10	*	
1.6 (BSF)	Gasolina	FWD	1595	75	102	10.06-11.10	*	
1.6 (CCSA)	Gasolina	FWD	1595	75	102	10.06-11.10	*	
1.8 TFSI (BYT)	Gasolina	FWD	1798	118	160	01.07-07.15	*	
1.8 TFSI (BZB)	Gasolina	FWD	1798	118	160	01.07-07.15	*	
1.8 TFSI (CDAA)	Gasolina	FWD	1798	118	160	01.07-07.15	*	
2.0 FSI (BVY)	Gasolina	FWD	1984	110	150	10.06-03.09	*	
2.0 FSI (BVZ)	Gasolina	FWD	1984	110	150	10.06-03.09	*	
2.0 TFSI (BWA)	Gasolina	FWD	1984	147	200	10.06-05.09	*	
2.0 TFSI 4x4 (BWA)	Gasolina	4WD	1984	147	200	06.07-05.09	*	

# LISTA DE APLICACIONES - BUYERS GUIDE

2.0 TFSI		Gasolina	FWD	1984	155	211	05.09-07.15	*
2.0 TFSI 4x4 (CCZB)		Gasolina	4WD	1984	155	211	05.09-07.15	*
1.6 LPG (CHGA)		Gasol./Gas (LPG)	FWD	1595	75	102	09.09-06.13	*
1.6 MultiFuel (BSE)		Gasol./Etanol	FWD	1595	75	102	10.06-11.10	*
1.6 MultiFuel (BSF)		Gasol./Etanol	FWD	1595	75	102	10.06-11.10	*
1.6 MultiFuel (CCSA)		Gasol./Etanol	FWD	1595	75	102	10.06-11.10	*
1.6 MultiFuel (CMXA)		Gasol./Etanol	FWD	1595	75	102	10.06-11.10	*
1.6 TDI (CAYB)		Diesel	FWD	1598	66	90	11.10-07.15	*
1.6 TDI (CAYC)		Diesel	FWD	1598	77	105	10.09-07.15	*
1.9 TDI (BXF)		Diesel	FWD	1896	66	90	08.09-12.10	*
1.9 TDI (BKC)		Diesel	FWD	1896	77	105	10.06-12.10	*
1.9 TDI (BLS)		Diesel	FWD	1896	77	105	10.06-12.10	*
1.9 TDI (BXE)		Diesel	FWD	1896	77	105	10.06-12.10	*
1.9 TDI 4x4 (BLS)		Diesel	4WD	1896	77	105	06.09-12.10	*
2.0 TDI (AZV)		Diesel	FWD	1968	100	136	11.06-03.09	*
2.0 TDI (BMM)		Diesel	FWD	1968	103	140	10.06-11.10	*
2.0 TDI 16V (BKD)		Diesel	FWD	1968	103	140	10.06-07.15	*
2.0 TDI 16V (CFHC)		Diesel	FWD	1968	103	140	10.06-07.15	*
2.0 TDI 16V 4x4 (CFHC)		Diesel	4WD	1968	103	140	10.10-07.15	*
2.0 TDI 4x4 (BMM)		Diesel	4WD	1968	103	140	06.07-11.10	*
2.0 TDI (BMN)		Diesel	FWD	1968	125	170	06.07-12.13	*
2.0 TDI (CEGA)		Diesel	FWD	1968	125	170	06.07-12.13	*
2.0 TDI 4x4 (BMN)		Diesel	4WD	1968	125	170	06.07-06.13	*
2.0 TDI 4x4 (CEGA)		Diesel	4WD	1968	125	170	06.07-06.13	*
2.0 TDI 4x4 (CFJA)		Diesel	4WD	1968	125	170	06.07-06.13	*
<b>IBIZA IV (6J5, 6P1) 03.08-</b>				<b>[CAMBIADO]:Fastback (Supermini car-B Segment)</b>				
1.2 TSI (CBZB)		Gasolina	FWD	1197	77	105	09.10-03.12	*
1.2 (CGPB)		Gasolina	FWD	1198	44	60	07.09-05.15	*
1.2 (BZG)		Gasolina	FWD	1198	51	70	03.08-05.15	*
1.2 (CGPA)		Gasolina	FWD	1198	51	70	03.08-05.15	*
1.2 (CJLB)		Gasolina	FWD	1198	51	70	03.08-05.15	*
1.4 (BXW)		Gasolina	FWD	1390	63	85	03.08-05.15	*
1.4 (CGGB)		Gasolina	FWD	1390	63	85	03.08-05.15	*
1.6 LPG (CNKA)		Gasol./Gas (LPG)	FWD	1598	60	81	05.11-05.15	*
1.2 TDI (CFWA)		Diesel	FWD	1199	55	75	06.10-05.15	*
1.4 TDI (BMS)		Diesel	FWD	1422	59	80	07.08-06.10	*
1.6 TDI		Diesel	RWD	1598	55	75	05.10-06.10	*
1.6 TDI (CAYA)		Diesel	FWD	1598	55	75	05.09-06.10	*
1.6 TDI (CAYB)		Diesel	FWD	1598	66	90	05.09-05.15	*
1.6 TDI (CAYC)		Diesel	FWD	1598	77	105	05.09-05.15	*
1.6 TDI (CLNA)		Diesel	FWD	1598	77	105	05.09-05.15	*
1.9 TDI (BXJ)		Diesel	FWD	1896	66	90	07.08-06.10	*
1.9 TDI (BLS)		Diesel	FWD	1896	77	105	03.08-06.10	*
<b>IBIZA IV (6J1) 04.08-</b>				<b>Furgón/hatchback (Supermini car-B Segment)</b>				
1.2 (CGPA)		Gasolina	FWD	1198	51	69	04.08-05.15	*
1.6 TDI (CAYB)		Diesel	FWD	1598	66	90	05.09-05.15	*

# LISTA DE APLICACIONES - BUYERS GUIDE

<b>IBIZA IV SC (6J1, 6P5) 06.08-12.18</b>					<b>[CAMBIADO]:Fastback (Supermini car-B Segment)</b>			
1.2 TSI (CBZB)		Gasolina	FWD	1197	77	105	09.10-05.15	*
1.2 (CGPB)		Gasolina	FWD	1198	44	60	07.09-05.15	*
1.2 (BZG)		Gasolina	FWD	1198	51	70	07.08-05.15	*
1.2 (CGPA)		Gasolina	FWD	1198	51	70	07.08-05.15	*
1.4 (BXW)		Gasolina	FWD	1390	63	85	07.08-05.15	*
1.4 (CGGB)		Gasolina	FWD	1390	63	85	07.08-05.15	*
1.4 LPG		Gasol./Gas (LPG)	FWD	1390	63	85	07.08-05.11	*
1.6 LPG (CNKA)		Gasol./Gas (LPG)	FWD	1598	60	81	05.11-05.15	*
1.2 TDI (CFWA)		Diesel	FWD	1199	55	75	05.10-05.15	*
1.4 TDI (BMS)		Diesel	FWD	1422	59	80	07.08-06.10	*
1.6 TDI (CAYA)		Diesel	FWD	1598	55	75	05.10-06.10	*
1.6 TDI (CAYB)		Diesel	FWD	1598	66	90	05.09-05.15	*
1.6 TDI (CAYC)		Diesel	FWD	1598	77	105	05.09-05.15	*
1.9 TDI (BXJ)		Diesel	FWD	1896	66	90	06.08-06.10	*
<b>IBIZA IV SC (6J1, 6P5) 06.08-12.18</b>					<b>Coupé (Supermini car-B Segment)</b>			
1.6 TDI		Diesel	RWD	1598	55	75	05.10-06.10	*
<b>IBIZA IV ST (6J8, 6P8) 03.10-</b>					<b>[CAMBIADO]:Break (Supermini car-B Segment)</b>			
1.2 TSI (CBZB)		Gasolina	FWD	1197	77	105	09.10-05.15	*
1.2 (CGPB)		Gasolina	FWD	1198	44	60	05.10-05.15	*
1.2 (BZG)		Gasolina	FWD	1198	51	70	05.10-05.15	*
1.2 (CGPA)		Gasolina	FWD	1198	51	70	05.10-05.15	*
1.2 (CJLB)		Gasolina	FWD	1198	51	70	05.10-05.15	*
1.4 (CGGB)		Gasolina	FWD	1390	63	85	03.10-05.15	*
1.4 TSI (CAVF)		Gasolina	FWD	1390	110	150	02.12-05.15	*
1.4 TSI (CNUB)		Gasolina	FWD	1390	110	150	02.12-05.15	*
1.4 TSI (CTHF)		Gasolina	FWD	1390	110	150	02.12-05.15	*
1.4 TSI (CTJB)		Gasolina	FWD	1390	110	150	02.12-05.15	*
1.6		Gasolina	FWD	1598	77	105	02.12-	*
1.6 (BTS)		Gasolina	FWD	1598	77	105	02.12-05.15	*
1.2 TDI (CFWA)		Diesel	FWD	1199	55	75	04.10-05.15	*
1.6 TDI (CAYB)		Diesel	FWD	1598	66	90	03.10-05.15	*
1.6 TDI (CAYC)		Diesel	FWD	1598	77	105	03.10-05.15	*
1.6 TDI (CLNA)		Diesel	FWD	1598	77	105	03.10-05.15	*
<b>LEON (1M1) 11.99-06.06</b>					<b>[CAMBIADO]:Fastback (Compact car-C Segment)</b>			
1.4 16V (AHW)		Gasolina	FWD	1390	55	75	11.99-06.06	*
1.4 16V (APE)		Gasolina	FWD	1390	55	75	11.99-06.06	*
1.4 16V (AXP)		Gasolina	FWD	1390	55	75	11.99-06.06	*
1.4 16V (BCA)		Gasolina	FWD	1390	55	75	11.99-06.06	*
1.6 (AEH)		Gasolina	FWD	1595	74	100	11.99-06.06	*
1.6 (AKL)		Gasolina	FWD	1595	74	100	11.99-06.06	*
1.6 (BFQ)		Gasolina	FWD	1595	75	102	10.05-06.06	*
1.6 16V (AUS)		Gasolina	FWD	1598	77	105	09.00-06.06	*
1.6 16V (AZD)		Gasolina	FWD	1598	77	105	09.00-06.06	*
1.6 16V (BCB)		Gasolina	FWD	1598	77	105	09.00-06.06	*
1.8 20V (AGN)		Gasolina	FWD	1781	92	125	11.99-06.06	*
1.8 20V (APG)		Gasolina	FWD	1781	92	125	11.99-06.06	*
1.9 SDI (AQM)		Diesel	FWD	1896	50	68	11.99-06.06	*

# LISTA DE APLICACIONES - BUYERS GUIDE

1.9 TDI (AGR)		Diesel	FWD	1896	66	90	11.99-06.06	*
1.9 TDI (ALH)		Diesel	FWD	1896	66	90	11.99-06.06	*
1.9 TDI (AXR)		Diesel	FWD	1896	74	100	10.05-06.06	*
1.9 TDI (AHF)		Diesel	FWD	1896	81	110	11.99-06.06	*
1.9 TDI (ASV)		Diesel	FWD	1896	81	110	11.99-06.06	*
<b>LEON II (1P1) 05.05-12.13</b>				<b>[CAMBIADO]:Fastback (Compact car-C Segment)</b>				
1.2 TSI (CBZB)		Gasolina	FWD	1197	77	105	02.10-12.12	*
1.4 16V (BXW)		Gasolina	FWD	1390	63	86	06.06-12.12	*
1.4 16V (CGGB)		Gasolina	FWD	1390	63	86	06.06-12.12	*
1.4 TSI (CAXC)		Gasolina	FWD	1390	92	125	11.07-12.12	*
1.6 (BSE)		Gasolina	FWD	1595	75	102	07.05-12.12	*
1.6 (BSF)		Gasolina	FWD	1595	75	102	07.05-12.12	*
1.6 (CCSA)		Gasolina	FWD	1595	75	102	07.05-12.12	*
1.8 TSI (BZB)		Gasolina	FWD	1798	118	160	06.07-12.12	*
1.8 TSI (CDAA)		Gasolina	FWD	1798	118	160	06.07-12.12	*
2.0 FSI (BLR)		Gasolina	FWD	1984	110	150	07.05-05.10	*
2.0 FSI (BLY)		Gasolina	FWD	1984	110	150	07.05-05.10	*
2.0 FSI (BVY)		Gasolina	FWD	1984	110	150	07.05-05.10	*
2.0 FSI (BVZ)		Gasolina	FWD	1984	110	150	07.05-05.10	*
1.6 LPG (CHGA)		Gasol./Gas (LPG)	FWD	1595	75	102	12.09-12.12	*
1.6 MultiFuel (BSE)		Gasol./Etanol	FWD	1595	75	102	07.05-08.13	*
1.6 MultiFuel (CCSA)		Gasol./Etanol	FWD	1595	75	102	07.05-08.13	*
1.6 MultiFuel (CMXA)		Gasol./Etanol	FWD	1595	75	102	07.05-08.13	*
1.6 TDI (CAYB)		Diesel	FWD	1598	66	90	11.10-12.12	*
1.6 TDI (CAYC)		Diesel	FWD	1598	77	105	02.10-12.12	*
1.9 TDI (BXF)		Diesel	FWD	1896	66	90	06.07-12.10	*
1.9 TDI (BKC)		Diesel	FWD	1896	77	105	07.05-12.10	*
1.9 TDI (BLS)		Diesel	FWD	1896	77	105	07.05-12.10	*
1.9 TDI (BXE)		Diesel	FWD	1896	77	105	07.05-12.10	*
1.9 TDI		Diesel	RWD	1896	81	110	10.05-12.12	*
2.0 TDI (AZV)		Diesel	FWD	1968	100	136	07.05-05.10	*
2.0 TDI (BMM)		Diesel	FWD	1968	103	140	10.05-10.10	*
2.0 TDI 16V (BKD)		Diesel	FWD	1968	103	140	07.05-12.12	*
2.0 TDI 16V (CFHC)		Diesel	FWD	1968	103	140	07.05-12.12	*
2.0 TDI 16V (CLCB)		Diesel	FWD	1968	103	140	07.05-12.12	*
<b>TOLEDO II (1M2) 10.98-05.06</b>				<b>Sedán (Compact car-C Segment)</b>				
1.4 16V (AHW)		Gasolina	FWD	1390	55	75	01.00-05.02	*
1.4 16V (APE)		Gasolina	FWD	1390	55	75	01.00-05.02	*
1.4 16V (AXP)		Gasolina	FWD	1390	55	75	01.00-05.02	*
1.4 16V (BCA)		Gasolina	FWD	1390	55	75	01.00-05.02	*
1.6 (AEH)		Gasolina	FWD	1595	74	100	10.98-07.04	*
1.6 (AKL)		Gasolina	FWD	1595	74	100	10.98-07.04	*
1.6		Gasolina	FWD	1595	75	102	08.05-05.06	*
1.6 16V (AUS)		Gasolina	FWD	1598	77	105	06.00-05.06	*
1.6 16V (AZD)		Gasolina	FWD	1598	77	105	06.00-05.06	*
1.6 16V (BCB)		Gasolina	FWD	1598	77	105	06.00-05.06	*
1.8 20V (AGN)		Gasolina	FWD	1781	92	125	10.98-07.04	*
1.8 20V (APG)		Gasolina	FWD	1781	92	125	10.98-07.04	*
1.9 TDI (AGR)		Diesel	FWD	1896	66	90	03.99-07.04	*

# LISTA DE APLICACIONES - BUYERS GUIDE

1.9 TDI (ALH)		Diesel	FWD	1896	66	90	03.99-07.04	*
1.9 TDI (AXR)		Diesel	FWD	1896	74	101	08.05-05.06	*
1.9 TDI (AHF)		Diesel	FWD	1896	81	110	10.98-07.04	*
1.9 TDI (ASV)		Diesel	FWD	1896	81	110	10.98-07.04	*
1.9 TDI (ASZ)		Diesel	FWD	1896	96	130	05.03-05.06	*
<b>TOLEDO III (5P2) 04.04-05.09</b>				<b>MPV (Large MPV-M1 Segment)</b>				
1.4 16V (BXW)		Gasolina	FWD	1390	63	86	05.06-05.09	*
1.4 TSI (CAXC)		Gasolina	FWD	1390	92	125	11.07-05.09	*
1.6 (BGU)		Gasolina	FWD	1595	75	102	10.04-05.09	*
1.6 (BSE)		Gasolina	FWD	1595	75	102	10.04-05.09	*
1.6 (BSF)		Gasolina	FWD	1595	75	102	10.04-05.09	*
1.6 (CCSA)		Gasolina	FWD	1595	75	102	10.04-05.09	*
1.8 TFSI (BYT)		Gasolina	FWD	1798	118	160	01.07-05.09	*
1.8 TFSI (BZB)		Gasolina	FWD	1798	118	160	01.07-05.09	*
1.8 TFSI (CDAA)		Gasolina	FWD	1798	118	160	01.07-05.09	*
2.0 FSI (BLR)		Gasolina	FWD	1984	110	150	10.04-05.09	*
2.0 FSI (BLY)		Gasolina	FWD	1984	110	150	10.04-05.09	*
2.0 FSI (BVY)		Gasolina	FWD	1984	110	150	10.04-05.09	*
2.0 FSI (BVZ)		Gasolina	FWD	1984	110	150	10.04-05.09	*
2.0 TFSI (BWA)		Gasolina	FWD	1984	147	200	11.05-05.09	*
1.9 TDI (BJB)		Diesel	FWD	1896	77	105	10.04-05.09	*
1.9 TDI (BKC)		Diesel	FWD	1896	77	105	10.04-05.09	*
1.9 TDI (BLS)		Diesel	FWD	1896	77	105	10.04-05.09	*
1.9 TDI (BXE)		Diesel	FWD	1896	77	105	10.04-05.09	*
2.0 TDI (AZV)		Diesel	FWD	1968	100	136	09.04-05.09	*
2.0 TDI (BMM)		Diesel	FWD	1968	103	140	11.05-05.09	*
2.0 TDI 16V (BKD)		Diesel	FWD	1968	103	140	04.04-05.09	*
2.0 TDI (BMN)		Diesel	FWD	1968	125	170	01.06-05.09	*
2.0 TDI (CEGA)		Diesel	FWD	1968	125	170	01.06-05.09	*
<b>SKODA</b>								
<b>FABIA (6Y2) 08.99-03.08</b>				<b>[CAMBIADO]:Fastback (Compact car-C Segment)</b>				
1.2 (AWY)		Gasolina	FWD	1198	40	54	07.01-04.07	*
1.2 (BMD)		Gasolina	FWD	1198	40	54	07.01-04.07	*
1.2 (AZQ)		Gasolina	FWD	1198	47	64	01.03-03.08	*
1.2 (BME)		Gasolina	FWD	1198	47	64	01.03-03.08	*
1.4 16V (AUA)		Gasolina	FWD	1390	55	75	12.99-03.08	*
1.4 16V (BBY)		Gasolina	FWD	1390	55	75	12.99-03.08	*
1.4 16V (BKY)		Gasolina	FWD	1390	55	75	12.99-03.08	*
1.4 16V (AUB)		Gasolina	FWD	1390	74	100	12.99-03.08	*
1.4 16V (BBZ)		Gasolina	FWD	1390	74	100	12.99-03.08	*
1.4 (AZE)		Gasolina	FWD	1397	44	60	08.00-08.02	*
1.4 (AZF)		Gasolina	FWD	1397	44	60	08.00-08.02	*
1.4 (AME)		Gasolina	FWD	1397	50	68	08.99-05.03	*
1.4 (AQW)		Gasolina	FWD	1397	50	68	08.99-05.03	*
1.4 (ATZ)		Gasolina	FWD	1397	50	68	08.99-05.03	*
1.4 TDI (BNM)		Diesel	FWD	1422	51	70	10.05-03.08	*
1.4 TDI (AMF)		Diesel	FWD	1422	55	75	04.03-03.08	*
1.4 TDI (BNV)		Diesel	FWD	1422	59	80	10.05-03.08	*
1.9 SDI (ASY)		Diesel	FWD	1896	47	64	12.99-03.08	*
1.9 TDI (ATD)		Diesel	FWD	1896	74	100	01.00-03.08	*

# LISTA DE APLICACIONES - BUYERS GUIDE

1.9 TDI (AXR)		Diesel	FWD	1896	74	100	01.00-03.08	*
<b>FABIA (6Y5) 01.00-12.07</b>					<b>[CAMBIADO]:Furgón/Break (Compact car-C Segment)</b>			
1.2 (AWY)		Gasolina	FWD	1198	40	54	07.01-12.07	*
1.2 (BMD)		Gasolina	FWD	1198	40	54	07.01-12.07	*
1.2 (AZQ)		Gasolina	FWD	1198	47	64	01.03-12.07	*
1.2 (BME)		Gasolina	FWD	1198	47	64	01.03-12.07	*
1.4 (BKY)		Gasolina	FWD	1390	55	75	05.04-12.07	*
1.4 (AZE)		Gasolina	FWD	1397	44	60	04.00-03.03	*
1.4 (AZF)		Gasolina	FWD	1397	44	60	04.00-03.03	*
1.4 (AME)		Gasolina	FWD	1397	50	68	07.01-05.03	*
1.4 (AQW)		Gasolina	FWD	1397	50	68	07.01-05.03	*
1.4 (ATZ)		Gasolina	FWD	1397	50	68	07.01-05.03	*
1.4 TDI (BNM)		Diesel	FWD	1422	51	70	10.05-12.07	*
1.4 TDI (AMF)		Diesel	FWD	1422	55	75	08.04-10.05	*
1.9 SDI (ASY)		Diesel	FWD	1896	47	64	07.01-12.07	*
1.9 TDI (ATD)		Diesel	FWD	1896	74	101	01.00-12.07	*
1.9 TDI (AXR)		Diesel	FWD	1896	74	101	01.00-12.07	*
<b>FABIA (6Y3) 10.99-12.07</b>					<b>Sedán (Compact car-C Segment)</b>			
1.2 (AWY)		Gasolina	FWD	1198	40	54	07.01-12.07	*
1.2 (BMD)		Gasolina	FWD	1198	40	54	07.01-12.07	*
1.2 (AZQ)		Gasolina	FWD	1198	47	64	01.03-12.07	*
1.2 (BME)		Gasolina	FWD	1198	47	64	01.03-12.07	*
1.4 16V (AUA)		Gasolina	FWD	1390	55	75	10.99-12.07	*
1.4 16V (BBY)		Gasolina	FWD	1390	55	75	10.99-12.07	*
1.4 16V (BKY)		Gasolina	FWD	1390	55	75	10.99-12.07	*
1.4 16V (BUD)		Gasolina	FWD	1390	59	80	04.06-12.07	*
1.4 16V (AUB)		Gasolina	FWD	1390	74	100	12.99-12.07	*
1.4 16V (BBZ)		Gasolina	FWD	1390	74	100	12.99-12.07	*
1.4 (AZE)		Gasolina	FWD	1397	44	60	04.00-08.02	*
1.4 (AZF)		Gasolina	FWD	1397	44	60	04.00-08.02	*
1.4 (AME)		Gasolina	FWD	1397	50	68	07.01-05.03	*
1.4 (AQW)		Gasolina	FWD	1397	50	68	07.01-05.03	*
1.4 (ATZ)		Gasolina	FWD	1397	50	68	07.01-05.03	*
1.4 TDI (BNM)		Diesel	FWD	1422	51	70	10.05-12.07	*
1.4 TDI (AMF)		Diesel	FWD	1422	55	75	04.03-12.07	*
1.4 TDI (BNV)		Diesel	FWD	1422	59	80	10.05-12.07	*
1.9 SDI (ASY)		Diesel	FWD	1896	47	64	11.99-12.07	*
1.9 TDI (ATD)		Diesel	FWD	1896	74	100	01.00-12.07	*
1.9 TDI (AXR)		Diesel	FWD	1896	74	100	01.00-12.07	*
<b>FABIA II (542) 12.06-12.14</b>					<b>[CAMBIADO]:Fastback (Compact car-C Segment)</b>			
1.2 TSI (CBZA)		Gasolina	FWD	1197	63	86	03.10-12.14	*
1.2 TSI (CBZB)		Gasolina	FWD	1197	77	105	03.10-12.14	*
1.2 (BBM)		Gasolina	FWD	1198	44	60	12.06-12.14	*
1.2 (CHFA)		Gasolina	FWD	1198	44	60	12.06-12.14	*
1.2 (BZG)		Gasolina	FWD	1198	51	70	01.07-12.14	*
1.2 (CEVA)		Gasolina	FWD	1198	51	70	01.07-12.14	*
1.2 (CGPA)		Gasolina	FWD	1198	51	70	01.07-12.14	*
1.2 (CHTA)		Gasolina	FWD	1198	51	70	01.07-12.14	*
1.4 (BXW)		Gasolina	FWD	1390	63	86	01.07-12.14	*
1.4 (CGGB)		Gasolina	FWD	1390	63	86	01.07-12.14	*

# LISTA DE APLICACIONES - BUYERS GUIDE

1.4 TSI RS (CAVE)		Gasolina	FWD	1390	132	180	05.10-12.14	*	
1.4 TSI RS (CTHE)		Gasolina	FWD	1390	132	180	05.10-12.14	*	
1.6 (BTS)		Gasolina	FWD	1598	77	105	04.07-12.14	*	
1.6 (CFNA)		Gasolina	FWD	1598	77	105	04.07-12.14	*	
1.6 (CLSA)		Gasolina	FWD	1598	77	105	04.07-12.14	*	
1.2 LPG (CHFA)		Gasol./Gas (LPG)	FWD	1198	44	60	03.09-11.11	*	
1.2 LPG (CGPA)		Gasol./Gas (LPG)	FWD	1198	51	69	07.07-11.14	*	
1.4 LPG (BXW)		Gasol./Gas (LPG)	FWD	1390	63	86	01.07-11.14	*	
1.4 LPG (CGGB)		Gasol./Gas (LPG)	FWD	1390	63	86	01.07-11.14	*	
1.4 TDI (BNM)		Diesel	FWD	1422	51	70	02.07-03.10	*	
1.4 TDI (BMS)		Diesel	FWD	1422	59	80	01.07-03.10	*	
1.4 TDI (BNV)		Diesel	FWD	1422	59	80	01.07-03.10	*	
1.6 TDI (CAYA)		Diesel	FWD	1598	55	75	04.10-12.14	*	
1.6 TDI (CAYB)		Diesel	FWD	1598	66	90	03.10-12.14	*	
1.6 TDI (CAYC)		Diesel	FWD	1598	77	105	03.10-12.14	*	
1.9 TDI (BLS)		Diesel	FWD	1896	77	105	04.07-03.10	*	
1.9 TDI (BSW)		Diesel	FWD	1896	77	105	04.07-03.10	*	
<b>FABIA II Combi (545) 10.07-12.14</b>							<b>[CAMBIADO]:Break (Compact car-C Segment)</b>		
1.2 TSI (CBZA)		Gasolina	FWD	1197	63	86	03.10-12.14	*	
1.2 TSI (CBZB)		Gasolina	FWD	1197	77	105	03.10-12.14	*	
1.2 (BBM)		Gasolina	FWD	1198	44	60	10.07-11.14	*	
1.2 (CHFA)		Gasolina	FWD	1198	44	60	10.07-11.14	*	
1.2 (BZG)		Gasolina	FWD	1198	51	70	10.07-12.14	*	
1.2 (CEVA)		Gasolina	FWD	1198	51	70	10.07-12.14	*	
1.2 (CGPA)		Gasolina	FWD	1198	51	70	10.07-12.14	*	
1.2 (CHTA)		Gasolina	FWD	1198	51	70	10.07-12.14	*	
1.4 (BXW)		Gasolina	FWD	1390	63	86	10.07-12.14	*	
1.4 (CGGB)		Gasolina	FWD	1390	63	86	10.07-12.14	*	
1.4 TSI RS (CAVE)		Gasolina	FWD	1390	132	180	05.10-12.14	*	
1.4 TSI RS (CTHE)		Gasolina	FWD	1390	132	180	05.10-12.14	*	
1.6 (BTS)		Gasolina	FWD	1598	77	105	10.07-12.14	*	
1.6 (CFNA)		Gasolina	FWD	1598	77	105	10.07-12.14	*	
1.2 LPG (CHFA)		Gasol./Gas (LPG)	FWD	1198	44	60	03.09-11.11	*	
1.2 LPG (CGPA)		Gasol./Gas (LPG)	FWD	1198	51	69	10.07-11.14	*	
1.4 LPG (BXW)		Gasol./Gas (LPG)	FWD	1390	63	86	10.07-11.14	*	
1.4 LPG (CGGB)		Gasol./Gas (LPG)	FWD	1390	63	86	10.07-11.14	*	
1.4 TDI (BNM)		Diesel	FWD	1422	51	70	10.07-03.10	*	
1.4 TDI (BMS)		Diesel	FWD	1422	59	80	10.07-03.10	*	
1.4 TDI (BNV)		Diesel	FWD	1422	59	80	10.07-03.10	*	
1.6 TDI (CAYA)		Diesel	FWD	1598	55	75	04.10-12.14	*	
1.6 TDI (CAYB)		Diesel	FWD	1598	66	90	03.10-12.14	*	
1.6 TDI (CAYC)		Diesel	FWD	1598	77	105	03.10-12.14	*	
1.9 TDI (BLS)		Diesel	FWD	1896	77	105	10.07-03.10	*	
1.9 TDI (BSW)		Diesel	FWD	1896	77	105	10.07-03.10	*	
<b>FABIA Combi (6Y5) 04.00-12.07</b>							<b>[CAMBIADO]:Break (Compact car-C Segment)</b>		
1.2 (AWY)		Gasolina	FWD	1198	40	54	07.01-12.07	*	
1.2 (BMD)		Gasolina	FWD	1198	40	54	07.01-12.07	*	

# LISTA DE APLICACIONES - BUYERS GUIDE

1.2 (AZQ)		Gasolina	FWD	1198	47	64	01.03-12.07	*
1.2 (BME)		Gasolina	FWD	1198	47	64	01.03-12.07	*
1.4 16V (AUA)		Gasolina	FWD	1390	55	75	05.00-12.07	*
1.4 16V (BBY)		Gasolina	FWD	1390	55	75	05.00-12.07	*
1.4 16V (BKY)		Gasolina	FWD	1390	55	75	05.00-12.07	*
1.4 16V (BUD)		Gasolina	FWD	1390	59	80	04.06-12.07	*
1.4 16V (AUB)		Gasolina	FWD	1390	74	100	04.00-12.07	*
1.4 16V (BBZ)		Gasolina	FWD	1390	74	100	04.00-12.07	*
1.4 (AZE)		Gasolina	FWD	1397	44	60	04.00-03.03	*
1.4 (AZF)		Gasolina	FWD	1397	44	60	04.00-03.03	*
1.4 (AME)		Gasolina	FWD	1397	50	68	04.00-05.03	*
1.4 (AQW)		Gasolina	FWD	1397	50	68	04.00-05.03	*
1.4 (ATZ)		Gasolina	FWD	1397	50	68	04.00-05.03	*
1.4 TDI (BNM)		Diesel	FWD	1422	51	70	10.05-12.07	*
1.4 TDI (AMF)		Diesel	FWD	1422	55	75	04.03-12.07	*
1.4 TDI (BNV)		Diesel	FWD	1422	59	80	10.05-12.07	*
1.9 SDI (ASY)		Diesel	FWD	1896	47	64	04.00-12.07	*
1.9 TDI (ATD)		Diesel	FWD	1896	74	100	04.00-12.07	*
1.9 TDI (AXR)		Diesel	FWD	1896	74	100	04.00-12.07	*
<b>OCTAVIA (1U2) 09.96-12.10</b>							<b>[CAMBIADO]:Fastback (Compact car-C Segment)</b>	
1.4 16V (AXP)		Gasolina	FWD	1390	55	75	09.00-12.10	*
1.4 16V (BCA)		Gasolina	FWD	1390	55	75	09.00-12.10	*
1.4 (AMD)		Gasolina	FWD	1397	44	60	04.99-03.01	*
1.6 (AEH)		Gasolina	FWD	1595	74	101	02.97-12.07	*
1.6 (AKL)		Gasolina	FWD	1595	74	101	02.97-12.07	*
1.6 (AVU)		Gasolina	FWD	1595	75	102	11.00-12.10	*
1.6 (BFQ)		Gasolina	FWD	1595	75	102	11.00-12.10	*
1.6 (AEE)		Gasolina	FWD	1598	55	75	09.96-09.04	*
2.0 (AEG)		Gasolina	FWD	1984	85	116	04.99-05.07	*
2.0 (APK)		Gasolina	FWD	1984	85	116	04.99-05.07	*
2.0 (AQY)		Gasolina	FWD	1984	85	116	04.99-05.07	*
2.0 (AZH)		Gasolina	FWD	1984	85	116	04.99-05.07	*
2.0 (AZJ)		Gasolina	FWD	1984	85	116	04.99-05.07	*
1.9 SDI (AGP)		Diesel	FWD	1896	50	68	06.97-12.03	*
1.9 SDI (AQM)		Diesel	FWD	1896	50	68	06.97-12.03	*
1.9 TDI (AGR)		Diesel	FWD	1896	66	90	09.96-03.10	*
1.9 TDI (ALH)		Diesel	FWD	1896	66	90	09.96-03.10	*
1.9 TDI (AXR)		Diesel	FWD	1896	74	100	10.05-12.10	*
1.9 TDI (AHF)		Diesel	FWD	1896	81	110	08.97-01.06	*
1.9 TDI (ASV)		Diesel	FWD	1896	81	110	08.97-01.06	*
1.9 TDI (ASZ)		Diesel	FWD	1896	96	130	09.02-09.04	*
<b>OCTAVIA (1U5) 08.00-03.10</b>							<b>[CAMBIADO]:Furgón/Break (Compact car-C Segment)</b>	
1.9 D (AQM)		Diesel	FWD	1896	50	68	08.00-12.03	*
1.9 TDI (ALH)		Diesel	FWD	1896	66	90	08.00-03.10	*
<b>OCTAVIA Combi (1U5) 07.98-12.10</b>							<b>[CAMBIADO]:Break (Compact car-C Segment)</b>	
1.4 16V (AXP)		Gasolina	FWD	1390	55	75	08.00-12.10	*
1.4 16V (BCA)		Gasolina	FWD	1390	55	75	08.00-12.10	*
1.6 (AEH)		Gasolina	FWD	1595	74	101	07.98-12.07	*
1.6 (AKL)		Gasolina	FWD	1595	74	101	07.98-12.07	*
1.6 (AVU)		Gasolina	FWD	1595	75	102	09.00-12.10	*

## LISTA DE APLICACIONES - BUYERS GUIDE

1.6 (BFQ)		Gasolina	FWD	1595	75	102	09.00-12.10	*
1.6 (AEE)		Gasolina	FWD	1598	55	75	07.98-09.04	*
2.0 (AEG)		Gasolina	FWD	1984	85	116	04.99-05.07	*
2.0 (APK)		Gasolina	FWD	1984	85	116	04.99-05.07	*
2.0 (AQY)		Gasolina	FWD	1984	85	116	04.99-05.07	*
2.0 (AZH)		Gasolina	FWD	1984	85	116	04.99-05.07	*
2.0 (AZJ)		Gasolina	FWD	1984	85	116	04.99-05.07	*
2.0 4x4 (AZH)		Gasolina	4WD	1984	85	116	08.00-09.04	*
2.0 4x4 (AZJ)		Gasolina	4WD	1984	85	116	08.00-09.04	*
2.0 4x4 (ATF)		Gasolina	4WD	1984	88	120	01.00-12.10	*
1.9 SDI (AGP)		Diesel	FWD	1896	50	68	07.98-12.03	*
1.9 SDI (AQM)		Diesel	FWD	1896	50	68	07.98-12.03	*
1.9 TDI (AGR)		Diesel	FWD	1896	66	90	07.98-03.10	*
1.9 TDI (ALH)		Diesel	FWD	1896	66	90	07.98-03.10	*
1.9 TDI 4x4 (AGR)		Diesel	4WD	1896	66	90	11.99-02.06	*
1.9 TDI (AXR)		Diesel	FWD	1896	74	100	08.00-12.10	*
1.9 TDI 4x4 (ATD)		Diesel	4WD	1896	74	100	09.00-01.06	*
1.9 TDI (AHF)		Diesel	FWD	1896	81	110	07.98-01.06	*
1.9 TDI (ASV)		Diesel	FWD	1896	81	110	07.98-01.06	*
1.9 TDI (ASZ)		Diesel	FWD	1896	96	130	09.02-09.04	*
<b>OCTAVIA II / LAURA (1Z3) 02.04-06.13</b>							<b>[CAMBIADO]:Fastback (Compact car-C Segment)</b>	
1.2 TSI (CBZB)		Gasolina	FWD	1197	77	105	02.10-06.13	*
1.4 (BCA)		Gasolina	FWD	1390	55	75	05.04-05.06	*
1.4 (BUD)		Gasolina	FWD	1390	59	80	06.04-04.13	*
1.4 (CGGA)		Gasolina	FWD	1390	59	80	06.04-04.13	*
1.4 TSI (CAXA)		Gasolina	FWD	1390	90	122	11.08-06.13	*
1.6 (BGU)		Gasolina	FWD	1595	75	102	06.04-06.13	*
1.6 (BSE)		Gasolina	FWD	1595	75	102	06.04-06.13	*
1.6 (BSF)		Gasolina	FWD	1595	75	102	06.04-06.13	*
1.6 (CCSA)		Gasolina	FWD	1595	75	102	06.04-06.13	*
1.6 (CMXA)		Gasolina	FWD	1595	75	102	06.04-06.13	*
1.6 FSI (BLF)		Gasolina	FWD	1598	85	115	02.04-10.08	*
1.6 LPG (BSE)		Gasol./Gas (LPG)	FWD	1595	75	102	08.09-11.12	*
1.6 LPG (CHGA)		Gasol./Gas (LPG)	FWD	1595	75	102	08.09-11.12	*
1.6 MultiFuel (CCSA)		Gasol./Etanol	FWD	1595	75	102	01.08-06.13	*
1.6 MultiFuel (CMXA)		Gasol./Etanol	FWD	1595	75	102	01.08-06.13	*
1.6 TDI (CAYC)		Diesel	FWD	1598	77	105	06.09-04.13	*
1.9 TDI (BJB)		Diesel	FWD	1896	77	105	06.04-12.10	*
1.9 TDI (BKC)		Diesel	FWD	1896	77	105	06.04-12.10	*
1.9 TDI (BLS)		Diesel	FWD	1896	77	105	06.04-12.10	*
1.9 TDI (BXE)		Diesel	FWD	1896	77	105	06.04-12.10	*
2.0 TDI (CFHF)		Diesel	FWD	1968	81	110	03.10-06.13	*
2.0 TDI (CLCA)		Diesel	FWD	1968	81	110	03.10-06.13	*
<b>OCTAVIA II Combi (1Z5) 02.04-06.13</b>							<b>[CAMBIADO]:Break (Compact car-C Segment)</b>	
1.2 TSI (CBZB)		Gasolina	FWD	1197	77	105	02.10-04.13	*
1.4 (BCA)		Gasolina	FWD	1390	55	75	05.04-05.06	*
1.4 (BUD)		Gasolina	FWD	1390	59	80	05.06-06.13	*
1.4 (CGGA)		Gasolina	FWD	1390	59	80	05.06-06.13	*

# LISTA DE APLICACIONES - BUYERS GUIDE

1.4 TSI (CAXA)		Gasolina	FWD	1390	90	122	11.08-06.13	*
1.6 (BGU)		Gasolina	FWD	1595	75	102	09.04-06.13	*
1.6 (BSE)		Gasolina	FWD	1595	75	102	09.04-06.13	*
1.6 (BSF)		Gasolina	FWD	1595	75	102	09.04-06.13	*
1.6 (CCSA)		Gasolina	FWD	1595	75	102	09.04-06.13	*
1.6 (CMXA)		Gasolina	FWD	1595	75	102	09.04-06.13	*
1.6 FSI (BLF)		Gasolina	FWD	1598	85	115	02.04-10.08	*
1.8 TSI 4x4 (CDAB)		Gasolina	4WD	1798	112	152	03.09-02.13	*
1.6 LPG (CHGA)		Gasol./Gas (LPG)	FWD	1595	75	102	08.09-11.12	*
1.6 MultiFuel (CCSA)		Gasol./Etanol	FWD	1595	75	102	01.08-06.13	*
1.6 MultiFuel (CMXA)		Gasol./Etanol	FWD	1595	75	102	01.08-06.13	*
1.6 TDI (CAYC)		Diesel	FWD	1598	77	105	06.09-04.13	*
1.6 TDI 4x4 (CAYC)		Diesel	4WD	1598	77	105	06.09-02.13	*
1.9 TDI (BJB)		Diesel	FWD	1896	77	105	09.04-12.10	*
1.9 TDI (BKC)		Diesel	FWD	1896	77	105	09.04-12.10	*
1.9 TDI (BLS)		Diesel	FWD	1896	77	105	09.04-12.10	*
1.9 TDI (BXE)		Diesel	FWD	1896	77	105	09.04-12.10	*
1.9 TDI 4x4 (BKC)		Diesel	4WD	1896	77	105	11.04-12.10	*
1.9 TDI 4x4 (BLS)		Diesel	4WD	1896	77	105	11.04-12.10	*
1.9 TDI 4x4 (BXE)		Diesel	4WD	1896	77	105	11.04-12.10	*
2.0 TDI (CFHF)		Diesel	FWD	1968	81	110	03.10-06.13	*
2.0 TDI (CLCA)		Diesel	FWD	1968	81	110	03.10-06.13	*
2.0 TDI 4x4 (CFHF)		Diesel	4WD	1968	81	110	05.11-02.13	*
<b>ROOMSTER / PRAKTIK (5J) 03.07-05.15</b>						<b>[CAMBIADO]:Furgón/Break (Large MPV-M1 Segment)</b>		
1.2 TSI (CBZA)		Gasolina	FWD	1197	63	86	03.10-05.15	*
1.2 (BZG)		Gasolina	FWD	1198	51	70	03.07-05.15	*
1.2 (CGPA)		Gasolina	FWD	1198	51	70	03.07-05.15	*
1.4 (BXW)		Gasolina	FWD	1390	63	86	03.07-05.15	*
1.4 (CGGB)		Gasolina	FWD	1390	63	86	03.07-05.15	*
1.2 TDI (CFWA)		Diesel	FWD	1199	55	75	03.10-05.15	*
1.4 TDI (BNM)		Diesel	FWD	1422	51	70	03.07-03.10	*
1.4 TDI (BMS)		Diesel	FWD	1422	59	80	03.07-03.10	*
1.4 TDI (BNV)		Diesel	FWD	1422	59	80	03.07-03.10	*
1.6 TDI (CAYB)		Diesel	FWD	1598	66	90	03.10-05.15	*
<b>ROOMSTER / PRAKTIK (5J7) 03.06-05.15</b>						<b>MPV (Large MPV-M1 Segment)</b>		
1.2 TSI (CBZA)		Gasolina	FWD	1197	63	86	03.10-05.15	*
1.2 TSI (CBZB)		Gasolina	FWD	1197	77	105	03.10-05.15	*
1.2 (BME)		Gasolina	FWD	1198	47	64	05.06-01.07	*
1.2 (BZG)		Gasolina	FWD	1198	51	70	01.07-05.15	*
1.2 (CGPA)		Gasolina	FWD	1198	51	70	01.07-05.15	*
1.4 (BXW)		Gasolina	FWD	1390	63	86	09.06-05.15	*
1.4 (CGGB)		Gasolina	FWD	1390	63	86	09.06-05.15	*
1.6 (BTS)		Gasolina	FWD	1598	77	105	09.06-05.15	*
1.6 (CFNA)		Gasolina	FWD	1598	77	105	09.06-05.15	*
1.2 LPG (CGPA)		Gasol./Gas (LPG)	FWD	1198	51	69	03.09-05.15	*
1.4 LPG (BXW)		Gasol./Gas (LPG)	FWD	1390	63	86	03.10-05.15	*
1.4 LPG (CGGB)		Gasol./Gas (LPG)	FWD	1390	63	86	03.10-05.15	*

# LISTA DE APLICACIONES - BUYERS GUIDE

1.6 LPG (BTS)		Gasol./Gas (LPG)	FWD	1598	77	105	06.06-07.10	*	
1.2 TDI (CFWA)		Diesel	FWD	1199	55	75	03.10-05.15	*	
1.4 TDI (BNM)		Diesel	FWD	1422	51	70	07.06-03.10	*	
1.4 TDI (BMS)		Diesel	FWD	1422	59	80	09.06-03.10	*	
1.4 TDI (BNV)		Diesel	FWD	1422	59	80	09.06-03.10	*	
1.6 TDI (CAYB)		Diesel	FWD	1598	66	90	03.10-05.15	*	
1.6 TDI (CAYC)		Diesel	FWD	1598	77	105	03.10-05.15	*	
1.9 TDI (AXR)		Diesel	FWD	1896	74	101	03.06-05.06	*	
1.9 TDI (BLS)		Diesel	FWD	1896	77	105	09.06-03.10	*	
1.9 TDI (BSW)		Diesel	FWD	1896	77	105	09.06-03.10	*	
<b>YETI (5L) 05.09-</b>							<b>SUV (Mini SUV-J Segment)</b>		
1.2 TSI (CBZB)		Gasolina	FWD	1197	77	105	09.09-05.15	*	
1.2 TSI (CYVB)		Gasolina	FWD	1197	81	110	05.15-12.17	*	
1.4 TSI (CAXA)		Gasolina	FWD	1390	90	122	06.10-05.15	*	
1.4 TSI (CZCA)		Gasolina	FWD	1395	92	125	05.15-12.17	*	
1.4 TSI 4x4 (CZDA)		Gasolina	4WD	1395	110	150	05.15-12.17	*	
1.6 (CWVA)		Gasolina	FWD	1598	81	110	04.14-12.17	*	
1.6 TDI (CAYC)		Diesel	FWD	1598	77	105	11.10-05.15	*	
2.0 TDI (CFHA)		Diesel	FWD	1968	81	110	11.09-12.17	*	
2.0 TDI (CLCA)		Diesel	FWD	1968	81	110	11.09-12.17	*	
2.0 TDI (CUUA)		Diesel	FWD	1968	81	110	11.09-12.17	*	
2.0 TDI (DFSA)		Diesel	FWD	1968	81	110	11.09-12.17	*	
2.0 TDI 4x4 (CFHF)		Diesel	4WD	1968	81	110	11.09-12.17	*	
2.0 TDI 4x4 (CUUA)		Diesel	4WD	1968	81	110	11.09-12.17	*	
2.0 TDI 4x4 (DFSA)		Diesel	4WD	1968	81	110	11.09-12.17	*	
2.0 TDI (CUUB)		Diesel	FWD	1968	110	150	05.15-12.17	*	
2.0 TDI (DFSB)		Diesel	FWD	1968	110	150	05.15-12.17	*	
2.0 TDI 4x4 (CUUB)		Diesel	4WD	1968	110	150	05.15-12.17	*	
2.0 TDI 4x4 (DFSB)		Diesel	4WD	1968	110	150	05.15-12.17	*	
<b>SKODA (SVW)</b>									
<b>OCTAVIA (913) 06.07-</b>							<b>[CAMBIADO]:Fastback (Compact car-C Segment)</b>		
1.4 TSI		Gasolina	FWD	1390	96	131	08.09-	*	
1.6		Gasolina	FWD	1598	77	105	06.07-12.17	*	
1.6		Gasolina	FWD	1598	77	105	01.10-12.15	*	
<b>YETI (0Y6, 0Y7) 11.13-</b>							<b>Closed SUV (Mini SUV-J Segment)</b>		
1.6		Gasolina	FWD	1598	81	110	02.14-	*	
<b>VW</b>									
<b>BEETLE (5C7, 5C8) 12.11-</b>							<b>Cabrío (Compact car-C Segment)</b>		
1.2 TSI (CBZB)		Gasolina	FWD	1197	77	105	12.11-07.19	*	
1.2 TSI 16V (CYVD)		Gasolina	FWD	1197	77	105	12.14-07.19	*	
1.4 TSI (CAVD)		Gasolina	FWD	1390	118	160	12.11-07.16	*	
1.4 TSI (CNWA)		Gasolina	FWD	1390	118	160	12.11-07.16	*	
1.4 TSI (CTHD)		Gasolina	FWD	1390	118	160	12.11-07.16	*	
1.4 TSI (CTKA)		Gasolina	FWD	1390	118	160	12.11-07.16	*	
1.4 TSI (CZDA)		Gasolina	FWD	1395	110	150	12.14-09.18	*	
1.8 TSI		Gasolina	FWD	1798	125	170	12.13-	*	
2.0 TFSI (CBFA)		Gasolina	FWD	1984	147	200	12.11-07.16	*	
2.0 TFSI (CCTA)		Gasolina	FWD	1984	147	200	12.11-07.16	*	
2.0 TFSI (CCZA)		Gasolina	FWD	1984	147	200	12.11-07.16	*	

# LISTA DE APLICACIONES - BUYERS GUIDE

2.0 TSI (CPLA)		Gasolina	FWD	1984	155	210	12.12-07.19	*	
2.0 TSI (CPPA)		Gasolina	FWD	1984	155	210	12.12-07.19	*	
2.0 TSI (CULC)		Gasolina	FWD	1984	162	220	12.14-09.18	*	
2.5 (CBTA)		Gasolina	FWD	2480	125	170	12.11-07.16	*	
2.5 (CBUA)		Gasolina	FWD	2480	125	170	12.11-07.16	*	
2.5 (CCCA)		Gasolina	FWD	2480	125	170	12.11-07.16	*	
1.6 TDI (CAYC)		Diesel	FWD	1598	77	105	12.11-07.16	*	
2.0 TDI (CUUA)		Diesel	FWD	1968	81	110	06.14-09.18	*	
2.0 TDI (CFFB)		Diesel	FWD	1968	103	140	04.12-07.16	*	
2.0 TDI (CJAA)		Diesel	FWD	1968	103	140	04.12-07.16	*	
2.0 TDI (CUUB)		Diesel	FWD	1968	110	150	09.14-09.18	*	
2.0 TDI (CVCA)		Diesel	FWD	1968	110	150	09.14-09.18	*	
2.0 TDI (DELA)		Diesel	FWD	1968	110	150	09.14-09.18	*	
<b>BEETLE / NOVO FUSCA (5C1, 5C2) 04.11-</b>							<b>[CAMBIADO]:Fastback (Compact car-C Segment)</b>		
1.2 TSI (CBZB)		Gasolina	FWD	1197	77	105	07.11-07.19	*	
1.2 TSI 16V (CYVD)		Gasolina	FWD	1197	77	105	12.14-07.19	*	
1.4 TSI (CAVD)		Gasolina	FWD	1390	118	160	10.11-07.16	*	
1.4 TSI (CNWA)		Gasolina	FWD	1390	118	160	10.11-07.16	*	
1.4 TSI (CTHD)		Gasolina	FWD	1390	118	160	10.11-07.16	*	
1.4 TSI (CTKA)		Gasolina	FWD	1390	118	160	10.11-07.16	*	
1.4 TSI (CZDA)		Gasolina	FWD	1395	110	150	12.14-07.19	*	
2.5 (CBTA)		Gasolina	FWD	2480	125	170	04.11-07.19	*	
2.5 (CBUA)		Gasolina	FWD	2480	125	170	04.11-07.19	*	
2.5 (CCCA)		Gasolina	FWD	2480	125	170	04.11-07.19	*	
1.6 TDI (CAYC)		Diesel	FWD	1598	77	105	10.11-07.16	*	
2.0 TDI (CUUA)		Diesel	FWD	1968	81	110	06.14-09.18	*	
2.0 TDI (CFFB)		Diesel	FWD	1968	103	140	04.11-07.16	*	
2.0 TDI (CJAA)		Diesel	FWD	1968	103	140	04.11-07.16	*	
2.0 TDI (CUUB)		Diesel	FWD	1968	110	150	07.14-09.18	*	
2.0 TDI (CVCA)		Diesel	FWD	1968	110	150	07.14-09.18	*	
2.0 TDI (DELA)		Diesel	FWD	1968	110	150	07.14-09.18	*	
<b>BORA / JETTA IV (1J2) 10.98-12.13</b>							<b>Sedán (Compact car-C Segment)</b>		
1.4 16V (AHW)		Gasolina	FWD	1390	55	75	03.00-05.05	*	
1.4 16V (AKQ)		Gasolina	FWD	1390	55	75	03.00-05.05	*	
1.4 16V (APE)		Gasolina	FWD	1390	55	75	03.00-05.05	*	
1.4 16V (AXP)		Gasolina	FWD	1390	55	75	03.00-05.05	*	
1.4 16V (BCA)		Gasolina	FWD	1390	55	75	03.00-05.05	*	
1.6 (AEH)		Gasolina	FWD	1595	74	101	10.98-05.05	*	
1.6 (AKL)		Gasolina	FWD	1595	74	101	10.98-05.05	*	
1.6 (APF)		Gasolina	FWD	1595	74	101	10.98-05.05	*	
1.6 (AVU)		Gasolina	FWD	1595	75	102	08.00-05.05	*	
1.6 (BFQ)		Gasolina	FWD	1595	75	102	08.00-05.05	*	
1.6		Gasolina	FWD	1595	78	107	06.02-10.04	*	
1.6 16V (ATN)		Gasolina	FWD	1598	77	105	05.00-05.05	*	
1.6 16V (AUS)		Gasolina	FWD	1598	77	105	05.00-05.05	*	
1.6 16V (AZD)		Gasolina	FWD	1598	77	105	05.00-05.05	*	
1.6 16V (BCB)		Gasolina	FWD	1598	77	105	05.00-05.05	*	
1.6 FSI (BAD)		Gasolina	FWD	1598	81	110	01.02-05.05	*	
1.8 (AGN)		Gasolina	FWD	1781	92	125	10.98-05.05	*	
1.8 (BAF)		Gasolina	FWD	1781	92	125	10.98-05.05	*	

# LISTA DE APLICACIONES - BUYERS GUIDE

1.8 4motion (AGN)	Gasolina	4WD	1781	92	125	02.99-05.05	*
1.8	Gasolina	FWD	1781	110	150	10.00-05.01	*
1.8 T (AGU)	Gasolina	FWD	1781	110	150	05.00-05.05	*
1.8 T (ARX)	Gasolina	FWD	1781	110	150	05.00-05.05	*
1.8 T (AUM)	Gasolina	FWD	1781	110	150	05.00-05.05	*
1.8 T (AWD)	Gasolina	FWD	1781	110	150	05.00-05.05	*
1.8 T (AWW)	Gasolina	FWD	1781	110	150	05.00-05.05	*
2.0 (AEG)	Gasolina	FWD	1984	85	115	10.98-12.13	*
2.0 (APK)	Gasolina	FWD	1984	85	115	10.98-12.13	*
2.0 (AQY)	Gasolina	FWD	1984	85	115	10.98-12.13	*
2.0 (AVH)	Gasolina	FWD	1984	85	115	10.98-12.13	*
2.0 (AZG)	Gasolina	FWD	1984	85	115	10.98-12.13	*
2.0 (AZH)	Gasolina	FWD	1984	85	115	10.98-12.13	*
2.0 (AZJ)	Gasolina	FWD	1984	85	115	10.98-12.13	*
2.0 (BBW)	Gasolina	FWD	1984	85	115	10.98-12.13	*
2.0 (BER)	Gasolina	FWD	1984	85	115	10.98-12.13	*
2.0 (BEV)	Gasolina	FWD	1984	85	115	10.98-12.13	*
2.0 (BHP)	Gasolina	FWD	1984	85	115	10.98-12.13	*
2.0 (CBPA)	Gasolina	FWD	1984	85	115	10.98-12.13	*
2.0 (CFEA)	Gasolina	FWD	1984	85	115	10.98-12.13	*
2.0 (CBPA)	Gasolina	FWD	1984	85	116	01.05-12.14	*
2.0 4motion (AZH)	Gasolina	4WD	1984	85	115	04.00-05.05	*
2.0 4motion (AZJ)	Gasolina	4WD	1984	85	115	04.00-05.05	*
1.9 SDI (AGP)	Diesel	FWD	1896	50	68	10.98-05.05	*
1.9 SDI (AQM)	Diesel	FWD	1896	50	68	10.98-05.05	*
1.9 TDI (AGR)	Diesel	FWD	1896	66	90	10.98-05.05	*
1.9 TDI (ALH)	Diesel	FWD	1896	66	90	10.98-05.05	*
1.9 TDI 4motion (AGR)	Diesel	4WD	1896	66	90	11.98-04.02	*
1.9 TDI (ATD)	Diesel	FWD	1896	74	101	09.00-05.05	*
1.9 TDI (AXR)	Diesel	FWD	1896	74	101	09.00-05.05	*
1.9 TDI (BEW)	Diesel	FWD	1896	74	101	09.00-05.05	*
1.9 TDI 4motion (ATD)	Diesel	4WD	1896	74	101	09.00-05.05	*
1.9 TDI (AHF)	Diesel	FWD	1896	81	110	10.98-06.01	*
1.9 TDI (ASV)	Diesel	FWD	1896	81	110	10.98-06.01	*
1.9 TDI (AJM)	Diesel	FWD	1896	85	115	12.98-01.02	*
1.9 TDI (AUY)	Diesel	FWD	1896	85	115	12.98-01.02	*
1.9 TDI 4motion (AJM)	Diesel	4WD	1896	85	115	02.99-06.01	*
1.9 TDI 4motion (AUY)	Diesel	4WD	1896	85	115	02.99-06.01	*
1.9 TDI 4motion (ASZ)	Diesel	4WD	1896	96	130	11.00-05.05	*
<b>BORA Variant / JETTA IV (1J6) 05.99-05.05</b>							<b>[CAMBIADO]:Break (Compact car-C Segment)</b>
1.4 16V (AHW)	Gasolina	FWD	1390	55	75	09.01-05.05	*
1.4 16V (AXP)	Gasolina	FWD	1390	55	75	09.01-05.05	*
1.4 16V (BCA)	Gasolina	FWD	1390	55	75	09.01-05.05	*
1.6 (AEH)	Gasolina	FWD	1595	74	100	05.99-05.05	*
1.6 (AKL)	Gasolina	FWD	1595	74	100	05.99-05.05	*
1.6 (APF)	Gasolina	FWD	1595	74	100	05.99-05.05	*
1.6 (AVU)	Gasolina	FWD	1595	75	102	08.00-05.05	*
1.6 (BFQ)	Gasolina	FWD	1595	75	102	08.00-05.05	*
1.6 16V (ATN)	Gasolina	FWD	1598	77	105	02.00-05.05	*
1.6 16V (AUS)	Gasolina	FWD	1598	77	105	02.00-05.05	*
1.6 16V (AZD)	Gasolina	FWD	1598	77	105	02.00-05.05	*

# LISTA DE APLICACIONES - BUYERS GUIDE

1.6 16V (BCB)	Gasolina	FWD	1598	77	105	02.00-05.05	*	
1.6 FSI (BAD)	Gasolina	FWD	1598	81	110	01.02-05.05	*	
1.8 4motion (AGN)	Gasolina	4WD	1781	92	125	05.99-05.05	*	
1.8 T (AGU)	Gasolina	FWD	1781	110	150	05.00-05.05	*	
1.8 T (ARX)	Gasolina	FWD	1781	110	150	05.00-05.05	*	
1.8 T (AUM)	Gasolina	FWD	1781	110	150	05.00-05.05	*	
1.8 T (AWD)	Gasolina	FWD	1781	110	150	05.00-05.05	*	
1.8 T (AWW)	Gasolina	FWD	1781	110	150	05.00-05.05	*	
2.0 (APK)	Gasolina	FWD	1984	85	115	05.99-05.05	*	
2.0 (AQY)	Gasolina	FWD	1984	85	115	05.99-05.05	*	
2.0 (AVH)	Gasolina	FWD	1984	85	115	05.99-05.05	*	
2.0 (AZG)	Gasolina	FWD	1984	85	115	05.99-05.05	*	
2.0 (AZH)	Gasolina	FWD	1984	85	115	05.99-05.05	*	
2.0 (AZJ)	Gasolina	FWD	1984	85	115	05.99-05.05	*	
2.0 (BEV)	Gasolina	FWD	1984	85	115	05.99-05.05	*	
2.0 4motion (AZH)	Gasolina	4WD	1984	85	115	04.00-05.05	*	
2.0 4motion (AZJ)	Gasolina	4WD	1984	85	115	04.00-05.05	*	
2.0 4motion (ATF)	Gasolina	4WD	1984	88	120	12.99-05.03	*	
1.9 TDI (AGR)	Diesel	FWD	1896	66	90	07.04-05.05	*	
1.9 TDI (ALH)	Diesel	FWD	1896	66	90	07.04-05.05	*	
1.9 TDI (ATD)	Diesel	FWD	1896	74	101	09.00-05.05	*	
1.9 TDI (AXR)	Diesel	FWD	1896	74	101	09.00-05.05	*	
1.9 TDI (BEW)	Diesel	FWD	1896	74	101	09.00-05.05	*	
1.9 TDI 4motion (ATD)	Diesel	4WD	1896	74	101	09.00-05.05	*	
1.9 TDI (AHF)	Diesel	FWD	1896	81	110	05.99-06.01	*	
1.9 TDI (ASV)	Diesel	FWD	1896	81	110	05.99-06.01	*	
1.9 TDI (AJM)	Diesel	FWD	1896	85	115	05.99-06.01	*	
1.9 TDI (AUY)	Diesel	FWD	1896	85	115	05.99-06.01	*	
1.9 TDI 4motion (AJM)	Diesel	4WD	1896	85	115	05.99-06.01	*	
1.9 TDI 4motion (AUY)	Diesel	4WD	1896	85	115	05.99-06.01	*	
<b>CADDY III (2KA, 2KH, 2CA, 2CH) 03.04-03.16</b>					<b>Furgoneta/MPV (LCVs-N1 Segment)</b>			
1.2 TSI (CBZA)	Gasolina	FWD	1197	63	86	09.10-05.15	*	
1.2 TSI (CBZB)	Gasolina	FWD	1197	77	105	09.10-05.15	*	
1.4 (BCA)	Gasolina	FWD	1390	55	75	03.04-05.06	*	
1.4 (BUD)	Gasolina	FWD	1390	59	80	05.06-08.10	*	
1.6 (BGU)	Gasolina	FWD	1595	75	102	04.04-05.15	*	
1.6 (BSE)	Gasolina	FWD	1595	75	102	04.04-05.15	*	
1.6 (BSF)	Gasolina	FWD	1595	75	102	04.04-05.15	*	
1.6 BiFuel (CHGA)	Gasol./Gas (LPG)	FWD	1595	75	102	05.11-05.15	*	
1.6 TDI (CAYE)	Diesel	FWD	1598	55	75	08.10-05.15	*	
1.6 TDI (CAYD)	Diesel	FWD	1598	75	102	08.10-05.15	*	
1.9 TDI (BSU)	Diesel	FWD	1896	55	75	09.05-08.10	*	
1.9 TDI (BJB)	Diesel	FWD	1896	77	105	04.04-08.10	*	
1.9 TDI (BLS)	Diesel	FWD	1896	77	105	04.04-08.10	*	
1.9 TDI 4motion (BLS)	Diesel	4WD	1896	77	105	11.08-08.10	*	
2.0 SDI (BDJ)	Diesel	FWD	1968	51	70	03.04-08.10	*	
2.0 SDI (BST)	Diesel	FWD	1968	51	70	03.04-08.10	*	
2.0 TDI (CFHE)	Diesel	FWD	1968	62	85	11.10-05.15	*	
2.0 TDI 4motion (CFHE)	Diesel	4WD	1968	62	85	12.10-05.15	*	
2.0 TDI (CLCA)	Diesel	FWD	1968	81	110	08.10-05.15	*	
2.0 TDI 4motion (CFHF)	Diesel	4WD	1968	81	110	08.10-05.15	*	

# LISTA DE APLICACIONES - BUYERS GUIDE

2.0 TDI (BMM)		Diesel	FWD	1968	103	140	09.07-08.10	*
2.0 TDI 16V (CFHC)		Diesel	FWD	1968	103	140	11.10-05.15	*
2.0 TDI 16V (CLCB)		Diesel	FWD	1968	103	140	11.10-05.15	*
2.0 TDI 16V 4motion (CFHC)		Diesel	4WD	1968	103	140	11.10-05.15	*
2.0 TDI (CFJA)		Diesel	FWD	1968	125	170	05.12-05.15	*
2.0 EcoFuel (BSX)		CNG	FWD	1984	80	109	04.06-05.15	*
<b>CADDY III (2KB, 2KJ, 2CB, 2CJ) 03.04-03.16</b>					<b>MPV (Mini MPV-M1 Segment)</b>			
1.2 TSI (CBZA)		Gasolina	FWD	1197	63	86	09.10-05.15	*
1.2 TSI (CBZB)		Gasolina	FWD	1197	77	105	09.10-05.15	*
1.4 (BCA)		Gasolina	FWD	1390	55	75	03.04-05.06	*
1.4 (BUD)		Gasolina	FWD	1390	59	80	05.06-08.10	*
1.6		Gasolina	FWD	1595	65	88	01.05-12.09	*
1.6		Gasolina	FWD	1595	74	101	03.05-05.15	*
1.6 (BGU)		Gasolina	FWD	1595	75	102	04.04-05.15	*
1.6 (BSE)		Gasolina	FWD	1595	75	102	04.04-05.15	*
1.6 (BSF)		Gasolina	FWD	1595	75	102	04.04-05.15	*
1.6 BiFuel (CHGA)		Gasol./Gas (LPG)	FWD	1595	75	102	05.11-05.15	*
1.6 TDI (CAYE)		Diesel	FWD	1598	55	75	08.10-05.15	*
1.6 TDI (CAYD)		Diesel	FWD	1598	75	102	08.10-05.15	*
1.9 D		Diesel	FWD	1896	48	65	10.05-06.09	*
1.9 TDI (BSU)		Diesel	FWD	1896	55	75	09.05-08.10	*
1.9 TDI (BJB)		Diesel	FWD	1896	77	105	04.04-08.10	*
1.9 TDI (BLS)		Diesel	FWD	1896	77	105	04.04-08.10	*
1.9 TDI 4motion (BLS)		Diesel	4WD	1896	77	105	05.08-08.10	*
2.0 SDI (BDJ)		Diesel	FWD	1968	51	70	03.04-08.10	*
2.0 SDI (BST)		Diesel	FWD	1968	51	70	03.04-08.10	*
2.0 TDI (CLCA)		Diesel	FWD	1968	81	110	08.10-05.15	*
2.0 TDI 4motion (CFHF)		Diesel	4WD	1968	81	110	08.10-05.15	*
2.0 TDI (BMM)		Diesel	FWD	1968	103	140	09.07-08.10	*
2.0 TDI 16V (CFHC)		Diesel	FWD	1968	103	140	11.10-05.15	*
2.0 TDI 16V (CLCB)		Diesel	FWD	1968	103	140	11.10-05.15	*
2.0 TDI 16V 4motion (CFHC)		Diesel	4WD	1968	103	140	11.10-05.15	*
2.0 TDI (CFJA)		Diesel	FWD	1968	125	170	05.12-05.15	*
2.0 EcoFuel (BSX)		CNG	FWD	1984	80	109	04.06-05.15	*
<b>CROSSGOLF 01.07-</b>					<b>[CAMBIADO]:Fastback (Compact car-C Segment)</b>			
1.6 FSI		Gasolina	FWD	1595	85	116	01.07-	*
1.9 TDI		Diesel	RWD	1895	77	105	01.07-	*
<b>GOLF IV (1J1) 08.97-04.08</b>					<b>[CAMBIADO]:Fastback (Compact car-C Segment)</b>			
1.4 16V (AHW)		Gasolina	FWD	1390	55	75	10.97-05.04	*
1.4 16V (AKQ)		Gasolina	FWD	1390	55	75	10.97-05.04	*
1.4 16V (APE)		Gasolina	FWD	1390	55	75	10.97-05.04	*
1.4 16V (AXP)		Gasolina	FWD	1390	55	75	10.97-05.04	*
1.4 16V (BCA)		Gasolina	FWD	1390	55	75	10.97-05.04	*
1.6		Gasolina	FWD	1595	68	92	12.98-05.02	*
1.6 (AEH)		Gasolina	FWD	1595	74	100	08.97-05.04	*
1.6 (AKL)		Gasolina	FWD	1595	74	100	08.97-05.04	*
1.6 (APF)		Gasolina	FWD	1595	74	100	08.97-05.04	*
1.6 (AVU)		Gasolina	FWD	1595	75	102	08.00-06.05	*
1.6 (BFQ)		Gasolina	FWD	1595	75	102	08.00-06.05	*

# LISTA DE APLICACIONES - BUYERS GUIDE

1.6		Gasolina	FWD	1595	78	107	08.03-06.05	*
1.6 (BAH)		Gasolina	FWD	1598	74	101	02.01-03.07	*
1.6 16V (ATN)		Gasolina	FWD	1598	77	105	02.00-06.05	*
1.6 16V (AUS)		Gasolina	FWD	1598	77	105	02.00-06.05	*
1.6 16V (AZD)		Gasolina	FWD	1598	77	105	02.00-06.05	*
1.6 16V (BCB)		Gasolina	FWD	1598	77	105	02.00-06.05	*
1.6 FSI (BAD)		Gasolina	FWD	1598	81	110	01.02-06.05	*
1.8		Gasolina	FWD	1781	77	105	04.98-05.02	*
1.8 (AGN)		Gasolina	FWD	1781	92	125	08.97-06.05	*
1.8 4motion (AGN)		Gasolina	4WD	1781	92	125	05.98-06.05	*
2.0 (AEG)		Gasolina	FWD	1984	85	115	07.98-05.04	*
2.0 (APK)		Gasolina	FWD	1984	85	115	07.98-05.04	*
2.0 (AQY)		Gasolina	FWD	1984	85	115	07.98-05.04	*
2.0 (AVH)		Gasolina	FWD	1984	85	115	07.98-05.04	*
2.0 (AZG)		Gasolina	FWD	1984	85	115	07.98-05.04	*
2.0 (AZJ)		Gasolina	FWD	1984	85	115	07.98-05.04	*
2.0 (BER)		Gasolina	FWD	1984	85	115	07.98-05.04	*
2.0 (BEV)		Gasolina	FWD	1984	85	115	07.98-05.04	*
2.0 4motion (AZH)		Gasolina	4WD	1984	85	115	10.00-06.05	*
2.0 4motion (AZJ)		Gasolina	4WD	1984	85	115	10.00-06.05	*
2.0 BiFuel (BEH)		Gasol./Gas (CNG)	FWD	1984	85	116	05.02-05.03	*
1.9 SDI (AGP)		Diesel	FWD	1896	50	68	08.97-06.05	*
1.9 SDI (AQM)		Diesel	FWD	1896	50	68	08.97-06.05	*
1.9 TDI (AGR)		Diesel	FWD	1896	66	90	10.97-05.04	*
1.9 TDI (ALH)		Diesel	FWD	1896	66	90	10.97-05.04	*
1.9 TDI 4motion (AGR)		Diesel	4WD	1896	66	90	07.98-04.02	*
1.9 TDI (ATD)		Diesel	FWD	1896	74	101	09.00-06.05	*
1.9 TDI (AXR)		Diesel	FWD	1896	74	101	09.00-06.05	*
1.9 TDI (BEW)		Diesel	FWD	1896	74	101	09.00-06.05	*
1.9 TDI 4motion (ATD)		Diesel	4WD	1896	74	101	09.00-06.05	*
1.9 TDI (AHF)		Diesel	FWD	1896	81	110	08.97-05.04	*
1.9 TDI (ASV)		Diesel	FWD	1896	81	110	08.97-05.04	*
1.9 TDI (AJM)		Diesel	FWD	1896	85	115	12.98-06.01	*
1.9 TDI (AUY)		Diesel	FWD	1896	85	115	12.98-06.01	*
1.9 TDI 4motion (AJM)		Diesel	4WD	1896	85	115	09.99-06.01	*
1.9 TDI 4motion (AUY)		Diesel	4WD	1896	85	115	09.99-06.01	*
<b>GOLF IV VAN Variant / JETTA IV (1J5) 05.99-06.06</b>							<b>[CAMBIADO]:Furgón/Break (Compact car-C Segment)</b>	
1.4 (AXP)		Gasolina	FWD	1390	55	75	05.00-06.06	*
1.4 (BCA)		Gasolina	FWD	1390	55	75	05.00-06.06	*
1.6 (AUS)		Gasolina	FWD	1598	77	105	05.00-06.06	*
1.6 (AZD)		Gasolina	FWD	1598	77	105	05.00-06.06	*
1.6 (BCB)		Gasolina	FWD	1598	77	105	05.00-06.06	*
1.9 SDI (AQM)		Diesel	FWD	1896	50	68	05.99-05.06	*
1.9 TDI (AGR)		Diesel	FWD	1896	66	90	05.99-05.06	*
1.9 TDI (ALH)		Diesel	FWD	1896	66	90	05.99-05.06	*
1.9 TDI (ATD)		Diesel	FWD	1896	74	101	02.00-06.06	*
1.9 TDI (AXR)		Diesel	FWD	1896	74	101	02.00-06.06	*
1.9 TDI (AHF)		Diesel	FWD	1896	81	110	05.99-05.06	*
1.9 TDI (ASV)		Diesel	FWD	1896	81	110	05.99-05.06	*
1.9 TDI (AJM)		Diesel	FWD	1896	85	116	05.99-04.02	*

# LISTA DE APLICACIONES - BUYERS GUIDE

<b>GOLF IV Variant / JETTA IV (1J5) 05.99-06.06</b>					<b>[CAMBIADO]:Break (Compact car-C Segment)</b>			
1.4 16V (AHW)		Gasolina	FWD	1390	55	75	05.99-06.06	*
1.4 16V (AKQ)		Gasolina	FWD	1390	55	75	05.99-06.06	*
1.4 16V (APE)		Gasolina	FWD	1390	55	75	05.99-06.06	*
1.4 16V (AXP)		Gasolina	FWD	1390	55	75	05.99-06.06	*
1.4 16V (BCA)		Gasolina	FWD	1390	55	75	05.99-06.06	*
1.6 (AEH)		Gasolina	FWD	1595	74	101	05.99-04.02	*
1.6 (AKL)		Gasolina	FWD	1595	74	101	05.99-04.02	*
1.6 (APF)		Gasolina	FWD	1595	74	101	05.99-04.02	*
1.6 (AVU)		Gasolina	FWD	1595	75	102	08.00-06.06	*
1.6 (BFQ)		Gasolina	FWD	1595	75	102	08.00-06.06	*
1.6 16V (ATN)		Gasolina	FWD	1598	77	105	02.00-06.06	*
1.6 16V (AUS)		Gasolina	FWD	1598	77	105	02.00-06.06	*
1.6 16V (AZD)		Gasolina	FWD	1598	77	105	02.00-06.06	*
1.6 16V (BCB)		Gasolina	FWD	1598	77	105	02.00-06.06	*
1.6 FSI (BAD)		Gasolina	FWD	1598	81	110	01.02-06.06	*
1.8 4motion (AGN)		Gasolina	4WD	1781	92	125	05.99-06.06	*
2.0 (APK)		Gasolina	FWD	1984	85	115	05.99-06.06	*
2.0 (AQY)		Gasolina	FWD	1984	85	115	05.99-06.06	*
2.0 (AZJ)		Gasolina	FWD	1984	85	115	05.99-06.06	*
2.0 4motion (AZH)		Gasolina	4WD	1984	85	115	10.00-06.06	*
2.0 4motion (AZJ)		Gasolina	4WD	1984	85	115	10.00-06.06	*
2.0 4motion (ATF)		Gasolina	4WD	1984	88	120	12.99-06.06	*
2.0 Bi-Fuel (BEH)		Gasol./Gas (CNG)	FWD	1984	85	116	02.02-06.06	*
1.9 SDI (AGP)		Diesel	FWD	1896	50	68	05.99-06.06	*
1.9 SDI (AQM)		Diesel	FWD	1896	50	68	05.99-06.06	*
1.9 TDI (AGR)		Diesel	FWD	1896	66	90	05.99-05.06	*
1.9 TDI (ALH)		Diesel	FWD	1896	66	90	05.99-05.06	*
1.9 TDI 4motion (AGR)		Diesel	4WD	1896	66	90	05.99-04.02	*
1.9 TDI (ATD)		Diesel	FWD	1896	74	101	09.00-06.06	*
1.9 TDI (AXR)		Diesel	FWD	1896	74	101	09.00-06.06	*
1.9 TDI 4motion (ATD)		Diesel	4WD	1896	74	101	09.00-06.06	*
1.9 TDI (AHF)		Diesel	FWD	1896	81	110	05.99-06.01	*
1.9 TDI (ASV)		Diesel	FWD	1896	81	110	05.99-06.01	*
1.9 TDI (AJM)		Diesel	FWD	1896	85	115	08.99-06.01	*
1.9 TDI (AUY)		Diesel	FWD	1896	85	115	08.99-06.01	*
1.9 TDI 4motion (AJM)		Diesel	4WD	1896	85	115	12.99-04.01	*
1.9 TDI 4motion (ARL)		Diesel	4WD	1896	110	150	05.02-06.05	*
<b>GOLF V / RABBIT V (1K1) 10.03-07.10</b>					<b>[CAMBIADO]:Fastback (Compact car-C Segment)</b>			
1.0		Gasolina	FWD	999	48	65	08.05-	*
1.0		Gasolina	FWD	999	53	72	10.05-	*
1.4 16V (BCA)		Gasolina	FWD	1390	55	75	10.03-05.06	*
1.4 16V (BUD)		Gasolina	FWD	1390	59	80	05.06-11.08	*
1.4 FSI (BKG)		Gasolina	FWD	1390	66	90	10.03-07.06	*
1.4 FSI (BLN)		Gasolina	FWD	1390	66	90	10.03-07.06	*
1.4 TSI (CAXA)		Gasolina	FWD	1390	90	122	05.07-11.08	*
1.4 TSI (BMY)		Gasolina	FWD	1390	103	140	05.06-11.08	*
1.4 TSI (BLG)		Gasolina	FWD	1390	125	170	11.05-11.08	*
1.6		Gasolina	FWD	1595	67	91	08.05-	*

## LISTA DE APLICACIONES - BUYERS GUIDE

1.6 (BGU)		Gasolina	FWD	1595	75	102	01.04-11.08	*
1.6 (BSE)		Gasolina	FWD	1595	75	102	01.04-11.08	*
1.6 (BSF)		Gasolina	FWD	1595	75	102	01.04-11.08	*
1.6 (CCSA)		Gasolina	FWD	1595	75	102	01.04-11.08	*
1.6 FSI (BAG)		Gasolina	FWD	1598	85	115	10.03-07.08	*
1.6 FSI (BLF)		Gasolina	FWD	1598	85	115	10.03-07.08	*
1.6 FSI (BLP)		Gasolina	FWD	1598	85	115	10.03-07.08	*
1.8		Gasolina	FWD	1781	73	99	08.05-	*
1.8 GTI		Gasolina	FWD	1781	132	179	08.06-11.08	*
2.0 (BHY)		Gasolina	FWD	1984	85	116	01.05-11.08	*
2.0 (CBPA)		Gasolina	FWD	1984	85	116	01.05-11.08	*
2.0 FSI (AXW)		Gasolina	FWD	1984	110	150	01.04-11.08	*
2.0 FSI (BLR)		Gasolina	FWD	1984	110	150	01.04-11.08	*
2.0 FSI (BLX)		Gasolina	FWD	1984	110	150	01.04-11.08	*
2.0 FSI (BLY)		Gasolina	FWD	1984	110	150	01.04-11.08	*
2.0 FSI (BVX)		Gasolina	FWD	1984	110	150	01.04-11.08	*
2.0 FSI (BVY)		Gasolina	FWD	1984	110	150	01.04-11.08	*
2.0 FSI (BVZ)		Gasolina	FWD	1984	110	150	01.04-11.08	*
2.0 FSI 4motion (BLX)		Gasolina	4WD	1984	110	150	08.04-11.08	*
2.0 FSI 4motion (BVX)		Gasolina	4WD	1984	110	150	08.04-11.08	*
2.0 GTI (AXX)		Gasolina	FWD	1984	147	200	10.04-02.09	*
2.0 GTI (BPY)		Gasolina	FWD	1984	147	200	10.04-02.09	*
2.0 GTI (BWA)		Gasolina	FWD	1984	147	200	10.04-02.09	*
2.0 GTI (CAWB)		Gasolina	FWD	1984	147	200	10.04-02.09	*
2.0 GTI (CBFA)		Gasolina	FWD	1984	147	200	10.04-02.09	*
2.0 GTI (CCTA)		Gasolina	FWD	1984	147	200	10.04-02.09	*
2.0 GTI (BYD)		Gasolina	FWD	1984	169	230	09.06-12.08	*
2.5		Gasolina	FWD	2480	110	150	06.05-11.08	*
3.2 R32		Gasolina	FWD	3189	177	241	01.04-11.08	*
3.2 R32 4motion (BUB)		Gasolina	4WD	3189	184	250	11.05-11.08	*
3.2 R32 4motion (CBRA)		Gasolina	4WD	3189	184	250	11.05-11.08	*
1.6 MultiFuel (CCSA)		Gasol./Etanol	FWD	1595	75	102	10.07-11.08	*
1.6 FSI		Gasol./eléc.	FWD	1598	74	101	02.06-	*
1.8 Hybrid		Gasol./eléc.	FWD	1781	73	99	08.05-	*
1.9 SDI		Diesel	RWD	1896	47	64	12.05-	*
1.9 TDI (BRU)		Diesel	FWD	1896	66	90	05.04-11.08	*
1.9 TDI (BXF)		Diesel	FWD	1896	66	90	05.04-11.08	*
1.9 TDI (BXJ)		Diesel	FWD	1896	66	90	05.04-11.08	*
1.9 TDI (BKC)		Diesel	FWD	1896	77	105	10.03-11.08	*
1.9 TDI (BLS)		Diesel	FWD	1896	77	105	10.03-11.08	*
1.9 TDI (BXE)		Diesel	FWD	1896	77	105	10.03-11.08	*
1.9 TDI 4motion (BKC)		Diesel	4WD	1896	77	105	08.04-11.08	*
1.9 TDI 4motion (BLS)		Diesel	4WD	1896	77	105	08.04-11.08	*
1.9 TDI 4motion (BXE)		Diesel	4WD	1896	77	105	08.04-11.08	*
2.0 SDI (BDK)		Diesel	FWD	1968	55	75	01.04-11.08	*
2.0 TDI (BMM)		Diesel	FWD	1968	103	140	12.04-11.08	*
2.0 TDI 16V (BKD)		Diesel	FWD	1968	103	140	10.03-11.08	*
2.0 TDI 16V 4motion (BKD)		Diesel	4WD	1968	103	140	08.04-11.08	*
2.0 TDI 4motion (BMM)		Diesel	4WD	1968	103	140	01.07-11.08	*
2.0 TDI (BMN)		Diesel	FWD	1968	125	170	11.05-11.08	*

# LISTA DE APLICACIONES - BUYERS GUIDE

<b>GOLF V / RABBIT V (1K1) 07.03-</b>					<b>Furgón/hatchback ()</b>			
TDI		Diesel	FWD	1896	77	105	11.03-02.06	*
<b>GOLF V Variant / BORA V / JETTA V / VENTO V (1K5) 01.07-07.09</b>					<b>[CAMBIADO]:Break (Compact car-C Segment)</b>			
1.4 (BUD)		Gasolina	FWD	1390	59	80	06.07-07.09	*
1.4 TSI (CAXA)		Gasolina	FWD	1390	90	122	06.07-07.09	*
1.4 TSI (BMY)		Gasolina	FWD	1390	103	140	06.07-07.09	*
1.4 TSI (CAVD)		Gasolina	FWD	1390	118	160	07.08-07.09	*
1.4 TSI (BLG)		Gasolina	FWD	1390	125	170	06.07-07.09	*
1.6 (BSE)		Gasolina	FWD	1595	75	102	06.07-07.09	*
1.6 (BSF)		Gasolina	FWD	1595	75	102	06.07-07.09	*
1.6 (CCSA)		Gasolina	FWD	1595	75	102	06.07-07.09	*
2.0 TFSI (BWA)		Gasolina	FWD	1984	147	200	06.07-07.09	*
2.0 TFSI (CAWB)		Gasolina	FWD	1984	147	200	06.07-07.09	*
2.0 TFSI (CBFA)		Gasolina	FWD	1984	147	200	06.07-07.09	*
2.0 TFSI (CCTA)		Gasolina	FWD	1984	147	200	06.07-07.09	*
1.6 MultiFuel (CCSA)		Gasol./Etanol	FWD	1595	75	102	11.07-07.09	*
1.9 TDI (BLS)		Diesel	FWD	1896	77	105	06.07-07.09	*
1.9 TDI (BXE)		Diesel	FWD	1896	77	105	06.07-07.09	*
1.9 TDI 4motion (BLS)		Diesel	4WD	1896	77	105	01.08-07.09	*
2.0 TDI (AZV)		Diesel	FWD	1968	100	136	06.07-07.09	*
2.0 TDI (BMM)		Diesel	FWD	1968	103	140	06.07-07.09	*
2.0 TDI 16V (BKD)		Diesel	FWD	1968	103	140	06.07-07.09	*
2.0 TDI 16V (CBDB)		Diesel	FWD	1968	103	140	06.07-07.09	*
<b>GOLF VI / JETTA VI (5K1) 10.08-12.14</b>					<b>[CAMBIADO]:Fastback (Compact car-C Segment)</b>			
1.2 TSI (CBZA)		Gasolina	FWD	1197	63	86	05.10-11.12	*
1.2 TSI (CBZB)		Gasolina	FWD	1197	77	105	11.08-11.12	*
1.4 (CGGA)		Gasolina	FWD	1390	59	80	10.08-11.12	*
1.4 TSI (CAXA)		Gasolina	FWD	1390	90	122	10.08-11.12	*
1.4 TSI (CAVD)		Gasolina	FWD	1390	118	160	10.08-11.12	*
1.4 TSI (CNWA)		Gasolina	FWD	1390	118	160	10.08-11.12	*
1.4 TSI (CTHD)		Gasolina	FWD	1390	118	160	10.08-11.12	*
1.6 (BSE)		Gasolina	FWD	1595	75	102	10.08-11.12	*
1.6 (BSF)		Gasolina	FWD	1595	75	102	10.08-11.12	*
1.6 (CCSA)		Gasolina	FWD	1595	75	102	10.08-11.12	*
1.6 (CMXA)		Gasolina	FWD	1595	75	102	10.08-11.12	*
1.8 TSI (CDAA)		Gasolina	FWD	1798	118	160	06.09-01.11	*
2.0 Flex		Gasolina	FWD	1984	88	120	10.08-	*
2.0 GTI (CBFA)		Gasolina	FWD	1984	147	200	06.09-11.13	*
2.0 GTI (CCTA)		Gasolina	FWD	1984	147	200	06.09-11.13	*
2.0 GTI (CCZA)		Gasolina	FWD	1984	147	200	06.09-11.13	*
2.0 GTI (CCZB)		Gasolina	FWD	1984	155	210	04.09-11.12	*
2.0 GTI (CDLG)		Gasolina	FWD	1984	173	235	05.11-11.12	*
2.0 R 4motion (CDLC)		Gasolina	4WD	1984	188	256	11.09-11.13	*
2.0 R 4motion (CRZA)		Gasolina	4WD	1984	188	256	11.09-11.13	*
2.0 R 4motion (CDLA)		Gasolina	4WD	1984	195	265	11.09-05.11	*
2.0 R 4motion (CDLF)		Gasolina	4WD	1984	199	270	11.09-11.12	*
2.5 (CBTA)		Gasolina	FWD	2480	125	170	07.09-05.13	*
2.5 (CBUA)		Gasolina	FWD	2480	125	170	07.09-05.13	*
1.6 BiFuel (CHGA)		Gasol./Gas (LPG)	FWD	1595	75	102	03.09-11.12	*

# LISTA DE APLICACIONES - BUYERS GUIDE

1.6 MultiFuel (CCSA)		Gasol./Etanol	FWD	1595	75	102	10.08-11.12	*	
1.6 MultiFuel (CMXA)		Gasol./Etanol	FWD	1595	75	102	10.08-11.12	*	
Blue E-Motion (EAA)		Eléctrico	FWD		65	88	12.10-11.13	*	
1.6 TDI (CAYB)		Diesel	FWD	1598	66	90	02.09-11.12	*	
1.6 TDI (CAYC)		Diesel	FWD	1598	77	105	02.09-11.12	*	
2.0 TDI (CBDC)		Diesel	FWD	1968	81	110	10.08-11.12	*	
2.0 TDI (CLCA)		Diesel	FWD	1968	81	110	10.08-11.12	*	
2.0 TDI (CBAA)		Diesel	FWD	1968	100	136	10.08-11.12	*	
2.0 TDI (CFFA)		Diesel	FWD	1968	100	136	10.08-11.12	*	
2.0 TDI (CBAB)		Diesel	FWD	1968	103	140	10.08-05.13	*	
2.0 TDI (CFFB)		Diesel	FWD	1968	103	140	10.08-05.13	*	
2.0 TDI (CJAA)		Diesel	FWD	1968	103	140	10.08-05.13	*	
2.0 TDI 4motion (CBAB)		Diesel	4WD	1968	103	140	05.09-11.12	*	
2.0 TDI 4motion (CFFB)		Diesel	4WD	1968	103	140	05.09-11.12	*	
2.0 TDI (CBBB)		Diesel	FWD	1968	125	170	04.09-11.12	*	
2.0 TDI (CFGB)		Diesel	FWD	1968	125	170	04.09-11.12	*	
<b>GOLF VI / JETTA VI (5K1) 10.08-11.12</b>							<b>Furgón/hatchback (Compact car-C Segment)</b>		
1.2 TSI (CBZA)		Gasolina	FWD	1197	63	86	05.10-11.12	*	
1.2 TSI (CBZB)		Gasolina	FWD	1197	77	105	05.09-11.12	*	
1.2 TSI (CBZB)		Gasolina	FWD	1197	77	105	11.09-08.14	*	
1.4 TSI (CAXA)		Gasolina	FWD	1390	90	122	01.09-08.14	*	
TSi (CAXA)		Gasolina	FWD	1390	90	122	10.08-11.12	*	
1.4 TSI (CAVD)		Gasolina	FWD	1390	118	160	10.08-11.12	*	
1.4 TSI (CAVD)		Gasolina	FWD	1390	118	160	01.09-09.12	*	
2.0 GTI (CCZB)		Gasolina	FWD	1984	155	211	02.09-11.12	*	
2.0 TSi R 4motion (CDLF)		Gasolina	4WD	1984	199	271	11.09-11.12	*	
1.6 TDI (CAYB)		Diesel	FWD	1598	66	90	02.09-11.12	*	
1.6 TDI (CAYB)		Diesel	FWD	1598	66	90	02.09-08.14	*	
1.6 TDI (CAYC)		Diesel	FWD	1598	77	105	05.09-11.12	*	
1.6 TDI (CAYC)		Diesel	FWD	1598	77	105	02.09-08.14	*	
2.0 TDI (CFFB)		Diesel	FWD	1968	103	140	09.09-11.12	*	
2.0 TDI (CJAA)		Diesel	FWD	1968	103	140	09.09-11.12	*	
2.0 TDI (CFHC)		Diesel	FWD	1968	103	140	11.09-08.14	*	
2.0 TDI (CFGB)		Diesel	FWD	1968	125	170	05.10-11.12	*	
<b>GOLF VI VAN Variant / JETTA VI (AJ5) 07.09-05.14</b>							<b>[CAMBIADO]:Furgón/Break (Compact car-C Segment)</b>		
1.2 TSI (CBZB)		Gasolina	FWD	1197	77	105	09.09-05.14	*	
1.4 TSI (CAXA)		Gasolina	FWD	1390	90	122	07.09-05.14	*	
1.4 TSI (CAVD)		Gasolina	FWD	1390	118	160	07.09-10.12	*	
1.6 TDI (CAYB)		Diesel	FWD	1598	66	90	12.09-10.12	*	
1.6 TDI (CAYC)		Diesel	FWD	1598	77	105	07.09-05.14	*	
2.0 TDI (CBDB)		Diesel	FWD	1968	103	140	07.09-05.14	*	
2.0 TDI (CFHC)		Diesel	FWD	1968	103	140	07.09-05.14	*	
<b>GOLF VI Variant / JETTA VI (AJ5) 07.09-07.14</b>							<b>[CAMBIADO]:Break (Compact car-C Segment)</b>		
1.2 TSI (CBZA)		Gasolina	FWD	1197	63	86	07.10-07.13	*	
1.2 TSI (CBZB)		Gasolina	FWD	1197	77	105	07.09-07.13	*	
1.4 (BUD)		Gasolina	FWD	1390	59	80	07.09-07.13	*	
1.4 (CGGA)		Gasolina	FWD	1390	59	80	07.09-07.13	*	
1.4 TSI (CAXA)		Gasolina	FWD	1390	90	122	07.09-07.13	*	
1.4 TSI (CAVD)		Gasolina	FWD	1390	118	160	07.09-07.13	*	

# LISTA DE APLICACIONES - BUYERS GUIDE

1.4 TSI (CNWA)		Gasolina	FWD	1390	118	160	07.09-07.13	*
1.4 TSI (CTHD)		Gasolina	FWD	1390	118	160	07.09-07.13	*
1.4 TSI (CTKA)		Gasolina	FWD	1390	118	160	07.09-07.13	*
1.6 (BSE)		Gasolina	FWD	1595	75	102	07.09-07.13	*
1.6 (BSF)		Gasolina	FWD	1595	75	102	07.09-07.13	*
1.6 (CCSA)		Gasolina	FWD	1595	75	102	07.09-07.13	*
2.0 TFSI (CCZA)		Gasolina	FWD	1984	147	200	07.09-07.13	*
2.5		Gasolina	FWD	2480	125	170	07.09-	*
1.6 BiFuel (BSF)		Gasol./Gas (LPG)	FWD	1595	75	102	07.09-12.10	*
1.6 MultiFuel (CMXA)		Gasol./Etanol	FWD	1595	75	102	07.10-07.13	*
1.6 TDI (CAYB)		Diesel	FWD	1598	66	90	12.09-07.13	*
1.6 TDI (CAYC)		Diesel	FWD	1598	77	105	07.09-07.13	*
1.6 TDI 4motion (CAYC)		Diesel	4WD	1598	77	105	07.09-07.13	*
2.0 TDI (CLCA)		Diesel	FWD	1968	81	110	01.10-07.13	*
2.0 TDI (CBDA)		Diesel	FWD	1968	100	136	07.09-07.13	*
2.0 TDI (CFHB)		Diesel	FWD	1968	100	136	07.09-07.13	*
2.0 TDI (CBDB)		Diesel	FWD	1968	103	140	07.09-07.13	*
2.0 TDI (CFHC)		Diesel	FWD	1968	103	140	07.09-07.13	*
2.0 TDI (CJAA)		Diesel	FWD	1968	103	140	07.09-07.13	*
2.0 TDI		Diesel	RWD	1968	103	140	07.09-07.13	*
<b>GOLF VII / JETTA VII (5G1, BQ1, BE1, BE2) 08.12-</b>							<b>[CAMBIADO]:Fastback (Compact car-C Segment)</b>	
1.2 TSI (CJZB)		Gasolina	FWD	1197	63	86	08.12-03.17	*
1.2 TSI (CYVA)		Gasolina	FWD	1197	63	86	08.12-03.17	*
1.2 TSI (CJZA)		Gasolina	FWD	1197	77	105	11.12-08.20	*
1.2 TSI (CYVB)		Gasolina	FWD	1197	81	110	04.14-03.17	*
1.4 TSI (CMBA)		Gasolina	FWD	1395	90	122	11.12-03.17	*
1.4 TSI (CXSA)		Gasolina	FWD	1395	90	122	11.12-03.17	*
1.4 TSI (CZCA)		Gasolina	FWD	1395	92	125	05.14-08.20	*
1.4 TSI (CHPA)		Gasolina	FWD	1395	103	140	08.12-08.20	*
1.4 TSI (CPTA)		Gasolina	FWD	1395	103	140	08.12-08.20	*
1.4 TSI (CHPB)		Gasolina	FWD	1395	110	150	05.14-03.21	*
1.4 TSI (CZDA)		Gasolina	FWD	1395	110	150	05.14-03.21	*
1.4 TSI (CZEA)		Gasolina	FWD	1395	110	150	05.14-03.21	*
1.4 TSI (DGXA)		Gasolina	FWD	1395	110	150	05.14-03.21	*
1.6 (CWVA)		Gasolina	FWD	1598	81	110	05.14-07.17	*
2.0 GTI (CNTA)		Gasolina	FWD	1984	155	210	11.13-07.17	*
2.0 GTI (CXCA)		Gasolina	FWD	1984	155	210	11.13-07.17	*
2.0 GTI (CHHB)		Gasolina	FWD	1984	162	220	04.13-08.20	*
2.0 GTI (CNTC)		Gasolina	FWD	1984	162	220	04.13-08.20	*
2.0 GTI (CXCB)		Gasolina	FWD	1984	162	220	04.13-08.20	*
2.0 GTI (CXDA)		Gasolina	FWD	1984	162	220	04.13-08.20	*
2.0 GTI (CHHA)		Gasolina	FWD	1984	169	230	04.13-08.20	*
2.0 GTI (CXDB)		Gasolina	FWD	1984	169	230	04.13-08.20	*
2.0 GTI Clubsport (CJXE)		Gasolina	FWD	1984	195	265	02.16-03.17	*
2.0 R 4motion (CJXB)		Gasolina	4WD	1984	206	280	11.13-03.17	*
2.0 R		Gasolina	FWD	1984	213	290	11.13-	*
2.0 R 4motion (CYFB)		Gasolina	4WD	1984	215	292	11.14-07.19	*
2.0 R 4motion (DJJA)		Gasolina	4WD	1984	215	292	11.14-07.19	*
2.0 R 4motion (DLRA)		Gasolina	4WD	1984	215	292	11.14-07.19	*
2.0 R 4motion (CJXC)		Gasolina	4WD	1984	221	300	11.13-08.20	*

# LISTA DE APLICACIONES - BUYERS GUIDE

2.0 R 4motion (DNUE)		Gasolina	4WD	1984	221	300	11.13-08.20	*	
2.0 GTI Clubsport S (CJXG)		Gasolina	FWD	1984	228	310	09.16-03.17	*	
1.4 TGI CNG (CPWA)		Gasol./Gas (CNG)	FWD	1395	81	110	06.13-07.18	*	
1.4 TGI CNG (CZBA)		Gasol./Gas (CNG)	FWD	1395	81	110	06.13-07.18	*	
1.4 TSI MultiFuel (CPVA)		Gasol./Etanol	FWD	1395	90	122	11.12-03.17	*	
1.4 TSI MultiFuel (CPVB)		Gasol./Etanol	FWD	1395	92	125	12.13-07.18	*	
1.4 GTE Hybrid (CUKB)		Gasol./eléc.	FWD	1395	150	204	05.14-08.20	*	
1.6 TDI (CLHB)		Diesel	FWD	1598	66	90	04.13-07.18	*	
1.6 TDI (CRKA)		Diesel	FWD	1598	66	90	04.13-07.18	*	
1.6 TDI (CXXA)		Diesel	FWD	1598	66	90	04.13-07.18	*	
1.6 TDI (DDYB)		Diesel	FWD	1598	66	90	04.13-07.18	*	
1.6 TDI (CLHA)		Diesel	FWD	1598	77	105	08.12-03.17	*	
1.6 TDI 4motion (CLHA)		Diesel	4WD	1598	77	105	11.12-03.17	*	
1.6 TDI (CRKB)		Diesel	FWD	1598	81	110	01.13-03.17	*	
1.6 TDI (CXXB)		Diesel	FWD	1598	81	110	01.13-03.17	*	
1.6 TDI (DBKA)		Diesel	FWD	1598	81	110	01.13-03.17	*	
1.6 TDI 4motion (CRKB)		Diesel	4WD	1598	81	110	01.13-03.17	*	
1.6 TDI 4motion (CXXB)		Diesel	4WD	1598	81	110	01.13-03.17	*	
2.0 TDI (CRLD)		Diesel	FWD	1968	81	110	11.12-08.20	*	
2.0 TDI (CRVA)		Diesel	FWD	1968	81	110	11.12-08.20	*	
2.0 TDI (CYKB)		Diesel	FWD	1968	81	110	11.12-08.20	*	
2.0 TDI (DCYB)		Diesel	FWD	1968	81	110	11.12-08.20	*	
2.0 TDI (DEJB)		Diesel	FWD	1968	81	110	11.12-08.20	*	
2.0 TDI (DFGB)		Diesel	FWD	1968	81	110	11.12-08.20	*	
2.0 TDI (CRBB)		Diesel	FWD	1968	105	143	08.12-08.20	*	
2.0 TDI (CRVC)		Diesel	FWD	1968	105	143	08.12-08.20	*	
2.0 TDI (CRBC)		Diesel	FWD	1968	110	150	08.12-08.20	*	
2.0 TDI (CRLB)		Diesel	FWD	1968	110	150	08.12-08.20	*	
2.0 TDI (CRMB)		Diesel	FWD	1968	110	150	08.12-08.20	*	
2.0 TDI (CRUA)		Diesel	FWD	1968	110	150	08.12-08.20	*	
2.0 TDI (DCYA)		Diesel	FWD	1968	110	150	08.12-08.20	*	
2.0 TDI (DEJA)		Diesel	FWD	1968	110	150	08.12-08.20	*	
2.0 TDI (DFGA)		Diesel	FWD	1968	110	150	08.12-08.20	*	
2.0 TDI 4motion (CKFC)		Diesel	4WD	1968	110	150	11.12-08.20	*	
2.0 TDI 4motion (CRBC)		Diesel	4WD	1968	110	150	11.12-08.20	*	
2.0 TDI 4motion (CRLB)		Diesel	4WD	1968	110	150	11.12-08.20	*	
2.0 TDI 4motion (CRMB)		Diesel	4WD	1968	110	150	11.12-08.20	*	
2.0 TDI 4motion (DCYA)		Diesel	4WD	1968	110	150	11.12-08.20	*	
2.0 GTD		Diesel	FWD	1968	130	177	11.16-	*	
2.0 GTD (CUNA)		Diesel	FWD	1968	135	184	04.13-08.20	*	
2.0 GTD (DGCA)		Diesel	FWD	1968	135	184	04.13-08.20	*	
2.0 GTD (DJGA)		Diesel	FWD	1968	135	184	04.13-08.20	*	
<b>GOLF VII / JETTA VII (5G1, BQ1) 08.12-</b>							<b>Furgón/hatchback (Compact car-C Segment)</b>		
1.2 TSI (CJZB)		Gasolina	FWD	1197	63	86	08.12-03.17	*	
1.2 TSI (CJZA)		Gasolina	FWD	1197	77	105	11.12-03.17	*	
1.4 TSI (CXSA)		Gasolina	FWD	1395	90	122	05.13-03.17	*	
1.4 TSI (CHPA)		Gasolina	FWD	1395	103	140	08.12-03.17	*	

# LISTA DE APLICACIONES - BUYERS GUIDE

2.0 GTI (CHHB)		Gasolina	FWD	1984	162	220	04.13-03.17	*	
2.0 GTI (CHHA)		Gasolina	FWD	1984	169	230	04.15-03.17	*	
1.6 TDI (CRKA)		Diesel	FWD	1598	66	90	04.13-03.17	*	
1.6 TDI (CLHA)		Diesel	FWD	1598	77	105	08.12-03.17	*	
1.6 TDI (CRKB)		Diesel	FWD	1598	81	110	11.13-03.17	*	
1.6 TDI (CXXB)		Diesel	FWD	1598	81	110	11.13-03.17	*	
2.0 TDI		Diesel	FWD	1968	110	150	05.13-05.14	*	
2.0 TDI 4motion (CRBC)		Diesel	4WD	1968	110	150	05.13-05.14	*	
2.0 GTD (CUNA)		Diesel	FWD	1968	135	184	04.13-03.17	*	
<b>GOLF VII ALLTRACK Variant (BA5, BV5) 12.14-</b>							<b>[CAMBIADO]:Break (Compact car-C Segment)</b>		
1.8 TSI 4motion (CJSB)		Gasolina	4WD	1798	132	180	12.14-08.20	*	
1.6 TDI 4motion (CRKB)		Diesel	4WD	1598	81	110	12.14-03.17	*	
1.6 TDI 4motion (CXXB)		Diesel	4WD	1598	81	110	12.14-03.17	*	
2.0 TDI 4motion (CRBC)		Diesel	4WD	1968	110	150	12.14-08.20	*	
2.0 TDI 4motion (CRLB)		Diesel	4WD	1968	110	150	12.14-08.20	*	
2.0 TDI 4motion (DCYA)		Diesel	4WD	1968	110	150	12.14-08.20	*	
2.0 TDI 4motion (CUNA)		Diesel	4WD	1968	135	184	12.14-08.20	*	
2.0 TDI 4motion (DGCA)		Diesel	4WD	1968	135	184	12.14-08.20	*	
2.0 TDI 4motion (DJGA)		Diesel	4WD	1968	135	184	12.14-08.20	*	
<b>GOLF VII VAN Variant / JETTA VII (BA5) 04.13-03.17</b>							<b>[CAMBIADO]:Furgón/Break (Compact car-C Segment)</b>		
1.2 TSI (CJZB)		Gasolina	FWD	1197	63	86	05.13-03.17	*	
1.2 TSI (CYVA)		Gasolina	FWD	1197	63	86	05.13-03.17	*	
1.2 TSI (CJZA)		Gasolina	FWD	1197	77	105	04.13-03.17	*	
1.4 TSI (CXSA)		Gasolina	FWD	1395	90	122	05.13-03.17	*	
1.4 TSI (CHPA)		Gasolina	FWD	1395	103	140	05.13-03.17	*	
1.6 TDI (CLHB)		Diesel	FWD	1598	66	90	05.13-03.17	*	
1.6 TDI (CRKA)		Diesel	FWD	1598	66	90	05.13-03.17	*	
1.6 TDI (CXXA)		Diesel	FWD	1598	66	90	05.13-03.17	*	
1.6 TDI (CLHA)		Diesel	FWD	1598	77	105	05.13-03.17	*	
1.6 TDI 4motion (CLHA)		Diesel	4WD	1598	77	105	05.13-03.17	*	
1.6 TDI (CRKB)		Diesel	FWD	1598	81	110	05.13-03.17	*	
2.0 TDI (CRBC)		Diesel	FWD	1968	110	150	04.13-03.17	*	
2.0 TDI (CRLB)		Diesel	FWD	1968	110	150	04.13-03.17	*	
2.0 TDI 4motion (CRBC)		Diesel	4WD	1968	110	150	04.13-03.17	*	
2.0 TDI 4motion (CRLB)		Diesel	4WD	1968	110	150	04.13-03.17	*	
<b>GOLF VII Variant / JETTA VII (BA5, BV5) 04.13-</b>							<b>[CAMBIADO]:Break (Compact car-C Segment)</b>		
1.2 TSI (CJZB)		Gasolina	FWD	1197	63	86	05.13-03.17	*	
1.2 TSI (CYVA)		Gasolina	FWD	1197	63	86	05.13-03.17	*	
1.2 TSI (CJZA)		Gasolina	FWD	1197	77	105	04.13-08.20	*	
1.2 TSI MultiFuel		Gasolina	FWD	1197	77	105	04.13-	*	
1.2 TSI (CYVB)		Gasolina	FWD	1197	81	110	04.14-03.17	*	
1.4 TSI BiFuel		Gasolina	FWD	1395	81	110	09.13-	*	
1.4 TSI (CXSA)		Gasolina	FWD	1395	90	122	05.13-03.17	*	
1.4 TSI (CZCA)		Gasolina	FWD	1395	92	125	05.14-08.20	*	
1.4 TSI (CZDD)		Gasolina	FWD	1395	92	125	05.14-08.20	*	
1.4 TSI (CHPA)		Gasolina	FWD	1395	103	140	05.13-08.20	*	
1.4 TSI (CHPB)		Gasolina	FWD	1395	110	150	05.14-03.21	*	
1.4 TSI (CZDA)		Gasolina	FWD	1395	110	150	05.14-03.21	*	
1.4 TSI (DGXA)		Gasolina	FWD	1395	110	150	05.14-03.21	*	
1.6 (CWVA)		Gasolina	FWD	1598	81	110	05.14-07.17	*	

# LISTA DE APLICACIONES - BUYERS GUIDE

1.4 TGI CNG (CPWA)		Gasol./Gas (CNG)	FWD	1395	81	110	09.13-07.18	*
1.4 TSI MultiFuel (CPVA)		Gasol./Etanol	FWD	1395	90	122	04.13-03.17	*
1.4 TSI MultiFuel (CPVB)		Gasol./Etanol	FWD	1395	92	125	05.14-03.17	*
1.6 TDI (CLHB)		Diesel	FWD	1598	66	90	05.13-07.18	*
1.6 TDI (CRKA)		Diesel	FWD	1598	66	90	05.13-07.18	*
1.6 TDI (CXXA)		Diesel	FWD	1598	66	90	05.13-07.18	*
1.6 TDI (DDYB)		Diesel	FWD	1598	66	90	05.13-07.18	*
1.6 TDI (CLHA)		Diesel	FWD	1598	77	105	05.13-03.17	*
1.6 TDI 4motion (CLHA)		Diesel	4WD	1598	77	105	05.13-03.17	*
1.6 TDI (CRKB)		Diesel	FWD	1598	81	110	05.13-03.17	*
1.6 TDI (CXXB)		Diesel	FWD	1598	81	110	05.13-03.17	*
1.6 TDI (DBKA)		Diesel	FWD	1598	81	110	05.13-03.17	*
1.6 TDI 4motion (CRKB)		Diesel	4WD	1598	81	110	05.13-03.17	*
1.6 TDI 4motion (CXXB)		Diesel	4WD	1598	81	110	05.13-03.17	*
2.0 TDI (CRLD)		Diesel	FWD	1968	81	110	05.13-08.20	*
2.0 TDI (CRVA)		Diesel	FWD	1968	81	110	05.13-08.20	*
2.0 TDI (CYKB)		Diesel	FWD	1968	81	110	05.13-08.20	*
2.0 TDI (DCYB)		Diesel	FWD	1968	81	110	05.13-08.20	*
2.0 TDI (DEJB)		Diesel	FWD	1968	81	110	05.13-08.20	*
2.0 TDI (DFGB)		Diesel	FWD	1968	81	110	05.13-08.20	*
2.0 TDI (CRBC)		Diesel	FWD	1968	110	150	04.13-08.20	*
2.0 TDI (CRLB)		Diesel	FWD	1968	110	150	04.13-08.20	*
2.0 TDI (CRUA)		Diesel	FWD	1968	110	150	04.13-08.20	*
2.0 TDI (DCYA)		Diesel	FWD	1968	110	150	04.13-08.20	*
2.0 TDI (DEJA)		Diesel	FWD	1968	110	150	04.13-08.20	*
2.0 TDI (DFGA)		Diesel	FWD	1968	110	150	04.13-08.20	*
2.0 TDI 4motion (CRBC)		Diesel	4WD	1968	110	150	04.13-08.20	*
2.0 TDI 4motion (CRLB)		Diesel	4WD	1968	110	150	04.13-08.20	*
2.0 TDI 4motion (DCYA)		Diesel	4WD	1968	110	150	04.13-08.20	*
2.0 GTD		Diesel	FWD	1968	130	177	11.16-	*
2.0 GTD (CUNA)		Diesel	FWD	1968	135	184	01.15-07.19	*
2.0 GTD (DGCA)		Diesel	FWD	1968	135	184	01.15-07.19	*
2.0 GTD (DJGA)		Diesel	FWD	1968	135	184	01.15-07.19	*
<b>GOLF IV Furgoneta (1J1) 10.97-05.04</b>						<b>Furgón/hatchback (Compact car-C Segment)</b>		
1.9 SDI (AQM)		Diesel	FWD	1896	50	68	11.98-05.04	*
1.9 TDI (AGR)		Diesel	FWD	1896	66	90	05.00-09.02	*
1.9 TDI (AHF)		Diesel	FWD	1896	81	110	10.97-05.04	*
1.9 TDI 4motion (AUY)		Diesel	4WD	1896	85	116	01.00-04.01	*
<b>GOLF PLUS V (5M1, 521) 12.04-12.13</b>						<b>[CAMBIADO]:Fastback (Compact car-C Segment)</b>		
1.0		Gasolina	FWD	999	48	65	08.05-	*
1.0		Gasolina	FWD	999	53	72	10.05-	*
1.2 TSI (CBZA)		Gasolina	FWD	1197	63	86	05.10-12.13	*
1.2 TSI (CBZB)		Gasolina	FWD	1197	77	105	11.09-12.13	*
1.4 16V (BCA)		Gasolina	FWD	1390	55	75	01.05-11.06	*
1.4 16V (BUD)		Gasolina	FWD	1390	59	80	05.06-12.13	*
1.4 16V (CGGA)		Gasolina	FWD	1390	59	80	05.06-12.13	*
1.4 FSI (BLN)		Gasolina	FWD	1390	66	90	07.05-11.06	*
1.4 TSI (CAXA)		Gasolina	FWD	1390	90	122	06.07-12.13	*

## LISTA DE APLICACIONES - BUYERS GUIDE

1.4 TSI (BMY)		Gasolina	FWD	1390	103	140	05.06-06.08	*
1.4 TSI (CAVD)		Gasolina	FWD	1390	118	160	06.08-12.13	*
1.4 TSI (CNWA)		Gasolina	FWD	1390	118	160	06.08-12.13	*
1.4 TSI (CTHD)		Gasolina	FWD	1390	118	160	06.08-12.13	*
1.4 TSI (BLG)		Gasolina	FWD	1390	125	170	05.06-06.08	*
1.6		Gasolina	FWD	1595	67	91	08.05-	*
1.6 (BSE)		Gasolina	FWD	1595	75	102	05.05-12.13	*
1.6 (BSF)		Gasolina	FWD	1595	75	102	05.05-12.13	*
1.6 (CCSA)		Gasolina	FWD	1595	75	102	05.05-12.13	*
1.6 (CMXA)		Gasolina	FWD	1595	75	102	05.05-12.13	*
1.6 FSI (BLF)		Gasolina	FWD	1598	85	115	12.04-05.08	*
1.8		Gasolina	FWD	1781	73	99	08.05-	*
2.0 FSI (BLR)		Gasolina	FWD	1984	110	150	05.05-06.08	*
2.0 FSI (BLY)		Gasolina	FWD	1984	110	150	05.05-06.08	*
2.0 FSI (BVY)		Gasolina	FWD	1984	110	150	05.05-06.08	*
2.0 FSI (BVZ)		Gasolina	FWD	1984	110	150	05.05-06.08	*
1.6 BiFuel (CHGA)		Gasol./Gas (LPG)	FWD	1595	75	102	05.09-12.13	*
1.6 MultiFuel (CCSA)		Gasol./Etanol	FWD	1595	75	102	11.07-12.13	*
1.6 MultiFuel (CMXA)		Gasol./Etanol	FWD	1595	75	102	11.07-12.13	*
1.8 Hybrid		Gasol./eléc.	FWD	1781	73	99	08.05-	*
1.6 TDI (CAYB)		Diesel	FWD	1598	66	90	02.09-12.13	*
1.6 TDI (CAYC)		Diesel	FWD	1598	77	105	03.09-12.13	*
1.9 SDI		Diesel	RWD	1896	47	64	12.05-	*
1.9 TDI (BRU)		Diesel	FWD	1896	66	90	05.05-12.08	*
1.9 TDI (BXF)		Diesel	FWD	1896	66	90	05.05-12.08	*
1.9 TDI (BXJ)		Diesel	FWD	1896	66	90	05.05-12.08	*
1.9 TDI (BKC)		Diesel	FWD	1896	77	105	01.05-01.09	*
1.9 TDI (BLS)		Diesel	FWD	1896	77	105	01.05-01.09	*
1.9 TDI (BXE)		Diesel	FWD	1896	77	105	01.05-01.09	*
2.0 TDI (CBDC)		Diesel	FWD	1968	81	110	01.09-12.13	*
2.0 TDI (CLCA)		Diesel	FWD	1968	81	110	01.09-12.13	*
2.0 TDI (BEE)		Diesel	FWD	1968	96	131	05.05-05.07	*
2.0 TDI (AZV)		Diesel	FWD	1968	100	136	05.05-12.13	*
2.0 TDI (CBDA)		Diesel	FWD	1968	100	136	05.05-12.13	*
2.0 TDI (CFHB)		Diesel	FWD	1968	100	136	05.05-12.13	*
2.0 TDI (BMM)		Diesel	FWD	1968	103	140	12.05-05.11	*
2.0 TDI 16V (BKD)		Diesel	FWD	1968	103	140	01.05-12.13	*
2.0 TDI 16V (CBDB)		Diesel	FWD	1968	103	140	01.05-12.13	*
2.0 TDI 16V (CFHC)		Diesel	FWD	1968	103	140	01.05-12.13	*
<b>JETTA V / BORA / VENTO (1K2) 09.04-12.13</b>				<b>Sedán (Compact car-C Segment)</b>				
1.4 TSI (CAXA)		Gasolina	FWD	1390	90	122	05.07-10.10	*
1.4 TSI (BMY)		Gasolina	FWD	1390	103	140	07.06-10.10	*
1.4 TSI (CAVD)		Gasolina	FWD	1390	118	160	07.08-10.10	*
1.4 TSI (BLG)		Gasolina	FWD	1390	125	170	07.06-10.10	*
1.6 (BGU)		Gasolina	FWD	1595	75	102	09.04-10.10	*
1.6 (BSE)		Gasolina	FWD	1595	75	102	09.04-10.10	*
1.6 (BSF)		Gasolina	FWD	1595	75	102	09.04-10.10	*
1.6 (CCSA)		Gasolina	FWD	1595	75	102	09.04-10.10	*
1.6 FSI (BLF)		Gasolina	FWD	1598	85	115	09.05-10.10	*

# LISTA DE APLICACIONES - BUYERS GUIDE

2.0 FSI (BLR)		Gasolina	FWD	1984	110	150	08.05-10.10	*	
2.0 FSI (BLX)		Gasolina	FWD	1984	110	150	08.05-10.10	*	
2.0 FSI (BLY)		Gasolina	FWD	1984	110	150	08.05-10.10	*	
2.0 FSI (BVY)		Gasolina	FWD	1984	110	150	08.05-10.10	*	
2.0 FSI (BVZ)		Gasolina	FWD	1984	110	150	08.05-10.10	*	
2.0		Gasolina	FWD	1984	136	185	08.05-06.08	*	
2.0 TFSI (AXX)		Gasolina	FWD	1984	147	200	10.05-10.10	*	
2.0 TFSI (BPY)		Gasolina	FWD	1984	147	200	10.05-10.10	*	
2.0 TFSI (BWA)		Gasolina	FWD	1984	147	200	10.05-10.10	*	
2.0 TFSI (CAWB)		Gasolina	FWD	1984	147	200	10.05-10.10	*	
2.0 TFSI (CBFA)		Gasolina	FWD	1984	147	200	10.05-10.10	*	
2.0 TFSI (CCTA)		Gasolina	FWD	1984	147	200	10.05-10.10	*	
2.5 (BGP)		Gasolina	FWD	2480	110	150	01.06-10.10	*	
2.5 (BGQ)		Gasolina	FWD	2480	110	150	01.06-10.10	*	
2.5 (BTK)		Gasolina	FWD	2480	110	150	01.06-10.10	*	
2.5 (CBTA)		Gasolina	FWD	2480	125	170	07.08-10.10	*	
2.5 (CBUA)		Gasolina	FWD	2480	125	170	07.08-10.10	*	
2.5 (CCCA)		Gasolina	FWD	2480	125	170	07.08-10.10	*	
1.6 MultiFuel (CCSA)		Gasol./Etanol	FWD	1595	75	102	01.08-10.10	*	
1.6 TDI (CAYB)		Diesel	FWD	1598	66	90	12.09-10.10	*	
1.6 TDI (CAYC)		Diesel	FWD	1598	77	105	06.09-10.10	*	
1.9 TDI (BKC)		Diesel	FWD	1896	77	105	08.05-10.10	*	
1.9 TDI (BLS)		Diesel	FWD	1896	77	105	08.05-10.10	*	
1.9 TDI (BXE)		Diesel	FWD	1896	77	105	08.05-10.10	*	
2.0 TDI (AZV)		Diesel	FWD	1968	100	136	09.05-10.10	*	
2.0 TDI (CBDA)		Diesel	FWD	1968	100	136	09.05-10.10	*	
2.0 TDI (BMM)		Diesel	FWD	1968	103	140	10.05-10.10	*	
2.0 TDI 16V (BKD)		Diesel	FWD	1968	103	140	08.05-10.10	*	
2.0 TDI 16V (CBDB)		Diesel	FWD	1968	103	140	08.05-10.10	*	
2.0 TDI 16V (CBEA)		Diesel	FWD	1968	103	140	08.05-10.10	*	
2.0 TDI 16V (CJAA)		Diesel	FWD	1968	103	140	08.05-10.10	*	
2.0 TDI (BMN)		Diesel	FWD	1968	125	170	10.06-10.10	*	
2.0 TDI (CEGA)		Diesel	FWD	1968	125	170	10.06-10.10	*	
<b>JETTA VI / VENTO (162, 163, AV3, AV2) 01.08-</b>							<b>Sedán (Compact car-C Segment)</b>		
1.2 TSI (CBZB)		Gasolina	FWD	1197	77	105	10.10-12.17	*	
1.2 TSI 16V (CYVD)		Gasolina	FWD	1197	77	105	08.14-12.17	*	
1.4 TSI (CAXA)		Gasolina	FWD	1390	90	122	05.11-12.17	*	
1.4 TSI (CMSB)		Gasolina	FWD	1390	90	122	05.11-12.17	*	
1.4 TSI (CAVA)		Gasolina	FWD	1390	110	150	04.11-12.17	*	
1.4 TSI (CTHA)		Gasolina	FWD	1390	110	150	04.11-12.17	*	
1.4 TSI (CAVD)		Gasolina	FWD	1390	118	160	04.11-12.17	*	
1.4 TSI (CTHD)		Gasolina	FWD	1390	118	160	04.11-12.17	*	
1.4 TSI		Gasolina	FWD	1395	90	122	01.08-	*	
1.4 TSI (CZCA)		Gasolina	FWD	1395	92	125	08.14-12.17	*	
1.4 TSI (CZDA)		Gasolina	FWD	1395	110	150	08.14-12.17	*	
1.4 TSI (CZTA)		Gasolina	FWD	1395	110	150	08.14-12.17	*	
1.6 (CFNB)		Gasolina	FWD	1598	63	86	03.13-03.16	*	
1.6 MPi (CWVB)		Gasolina	FWD	1598	66	90	09.15-04.18	*	
1.6 (CFNA)		Gasolina	FWD	1598	77	105	12.11-04.18	*	
1.6 (CLRA)		Gasolina	FWD	1598	77	105	12.11-04.18	*	
1.6 (CWVA)		Gasolina	FWD	1598	81	110	09.15-04.18	*	

# LISTA DE APLICACIONES - BUYERS GUIDE

1.8 TSI (CPKA)		Gasolina	FWD	1798	125	170	07.14-12.17	*
1.8 TSI (CPRA)		Gasolina	FWD	1798	125	170	07.14-12.17	*
2.0 (CBPA)		Gasolina	FWD	1984	85	115	06.10-12.17	*
2.0 (CKJA)		Gasolina	FWD	1984	85	115	06.10-12.17	*
2.0 TFSI (CBFA)		Gasolina	FWD	1984	147	200	12.10-07.14	*
2.0 TFSI (CCTA)		Gasolina	FWD	1984	147	200	12.10-07.14	*
2.0 TFSI (CCZA)		Gasolina	FWD	1984	147	200	12.10-07.14	*
2.0 TSI (CPLA)		Gasolina	FWD	1984	155	211	12.12-12.17	*
2.0 TSI (CPPA)		Gasolina	FWD	1984	155	211	12.12-12.17	*
2.0 TSI		Gasolina	FWD	1995	147	200	01.08-	*
2.5 (CBTA)		Gasolina	FWD	2480	125	170	04.10-12.17	*
2.5 (CBUA)		Gasolina	FWD	2480	125	170	04.10-12.17	*
2.5 (CCCA)		Gasolina	FWD	2480	125	170	04.10-12.17	*
1.4 TSI Hybrid (CNLA)		Gasol./el éc.	FWD	1395	125	170	04.11-12.17	*
1.4 TSI Hybrid (CRJA)		Gasol./el éc.	FWD	1395	125	170	04.11-12.17	*
1.6 TDI (CAYC)		Diesel	FWD	1598	77	105	04.10-07.15	*
2.0 TDI (CLCA)		Diesel	FWD	1968	81	110	10.10-12.17	*
2.0 TDI (CUUA)		Diesel	FWD	1968	81	110	10.10-12.17	*
2.0 TDI (CFFB)		Diesel	FWD	1968	103	140	07.10-12.17	*
2.0 TDI (CFHC)		Diesel	FWD	1968	103	140	07.10-12.17	*
2.0 TDI (CJAA)		Diesel	FWD	1968	103	140	07.10-12.17	*
2.0 TDI (CLCB)		Diesel	FWD	1968	103	140	07.10-12.17	*
2.0 TDI (CUUB)		Diesel	FWD	1968	110	150	07.14-12.17	*
2.0 TDI (CVCA)		Diesel	FWD	1968	110	150	07.14-12.17	*
2.0 TDI (DELA)		Diesel	FWD	1968	110	150	07.14-12.17	*
2.0 TDI (DGMA)		Diesel	FWD	1968	110	150	07.14-12.17	*
<b>JETTA VII (BU3, BU4, BU5) 12.17-</b>						<b>Sedán (Compact car-C Segment)</b>		
1.4 TSI (CWLA)		Gasolina	FWD	1395	110	150	12.17-	*
1.4 TSI (CZDA)		Gasolina	FWD	1395	110	150	12.17-	*
1.4 TSI (DGXA)		Gasolina	FWD	1395	110	150	12.17-	*
1.4 TSI (DJXA)		Gasolina	FWD	1395	110	150	12.17-	*
350 TSI		Gasolina	FWD	1984	169	230	12.18-	*
250 Tsi		Gasol./Et anol	FWD	1395	110	150	05.18-	*
<b>NEW BEETLE / BETTLE (1Y7) 09.02-07.12</b>						<b>Cabrió (Compact car-C Segment)</b>		
1.4 (BCA)		Gasolina	FWD	1390	55	75	01.03-09.10	*
1.6 (BFS)		Gasolina	FWD	1595	75	102	01.03-09.10	*
1.8 T (AWU)		Gasolina	FWD	1781	110	150	01.03-09.10	*
1.8 T (AWV)		Gasolina	FWD	1781	110	150	01.03-09.10	*
1.8 T (BKF)		Gasolina	FWD	1781	110	150	01.03-09.10	*
2.0 (AZJ)		Gasolina	FWD	1984	85	115	09.02-10.10	*
2.0 (BDC)		Gasolina	FWD	1984	85	115	09.02-10.10	*
2.0 (BEV)		Gasolina	FWD	1984	85	115	09.02-10.10	*
2.0 (BGD)		Gasolina	FWD	1984	85	115	09.02-10.10	*
2.5 (BPR)		Gasolina	FWD	2480	110	150	07.05-09.10	*
2.5 (BPS)		Gasolina	FWD	2480	110	150	07.05-09.10	*
1.9 TDI (AXR)		Diesel	FWD	1896	74	100	06.03-07.05	*
1.9 TDI (BEW)		Diesel	FWD	1896	74	100	06.03-07.05	*
1.9 TDI (BSW)		Diesel	FWD	1896	77	105	07.05-09.10	*

# LISTA DE APLICACIONES - BUYERS GUIDE

<b>NEW BEETLE / BETTLE / NOVO FUSCA (9C1, 1C1) 01.98-12.13</b>					<b>[CAMBIADO]:Fastback (Compact car-C Segment)</b>			
1.4 (BCA)		Gasolina	FWD	1390	55	75	11.01-09.10	*
1.6 (AWH)		Gasolina	FWD	1595	74	100	10.99-09.00	*
1.6 (AYD)		Gasolina	FWD	1595	75	102	06.00-09.10	*
1.6 (BFS)		Gasolina	FWD	1595	75	102	06.00-09.10	*
1.8 T (AGU)		Gasolina	FWD	1781	110	150	10.99-09.10	*
1.8 T (APH)		Gasolina	FWD	1781	110	150	10.99-09.10	*
1.8 T (AVC)		Gasolina	FWD	1781	110	150	10.99-09.10	*
1.8 T (AWU)		Gasolina	FWD	1781	110	150	10.99-09.10	*
1.8 T (AWV)		Gasolina	FWD	1781	110	150	10.99-09.10	*
1.8 T (BKF)		Gasolina	FWD	1781	110	150	10.99-09.10	*
1.8 T (AWP)		Gasolina	FWD	1781	132	180	11.01-06.05	*
1.8 T (BNU)		Gasolina	FWD	1781	132	180	11.01-06.05	*
2.0 (AEG)		Gasolina	FWD	1984	85	115	01.98-09.10	*
2.0 (APK)		Gasolina	FWD	1984	85	115	01.98-09.10	*
2.0 (AQY)		Gasolina	FWD	1984	85	115	01.98-09.10	*
2.0 (AVH)		Gasolina	FWD	1984	85	115	01.98-09.10	*
2.0 (AZG)		Gasolina	FWD	1984	85	115	01.98-09.10	*
2.0 (AZJ)		Gasolina	FWD	1984	85	115	01.98-09.10	*
2.0 (BER)		Gasolina	FWD	1984	85	115	01.98-09.10	*
2.0 (BEV)		Gasolina	FWD	1984	85	115	01.98-09.10	*
2.5 (BPR)		Gasolina	FWD	2480	110	150	07.05-09.10	*
2.5 (BPS)		Gasolina	FWD	2480	110	150	07.05-09.10	*
1.9 TDI (ALH)		Diesel	FWD	1896	66	90	01.98-06.04	*
1.9 TDI (ATD)		Diesel	FWD	1896	74	101	02.01-09.10	*
1.9 TDI (AXR)		Diesel	FWD	1896	74	101	02.01-09.10	*
1.9 TDI (BEW)		Diesel	FWD	1896	74	101	02.01-09.10	*
1.9 TDI (BSW)		Diesel	FWD	1896	77	105	07.05-09.10	*
<b>POLO III CLASSIC / DERBY / FLIGHT (6V2) 01.95-11.09</b>					<b>Sedán (Supermini car-B Segment)</b>			
1.6 (BAH)		Gasolina	FWD	1598	74	101	11.02-07.06	*
1.6 (CCRA)		Gasolina	FWD	1598	74	101	11.02-07.06	*
<b>POLO IV (9N_, 9A_) 10.01-10.14</b>					<b>[CAMBIADO]:Fastback (Supermini car-B Segment)</b>			
1.2 (AWY)		Gasolina	FWD	1198	40	54	01.02-05.07	*
1.2 (BMD)		Gasolina	FWD	1198	40	54	01.02-05.07	*
1.2 (BBM)		Gasolina	FWD	1198	44	60	05.07-11.09	*
1.2 12V (AZQ)		Gasolina	FWD	1198	47	64	10.01-07.07	*
1.2 12V (BME)		Gasolina	FWD	1198	47	64	10.01-07.07	*
1.2 12V (BZG)		Gasolina	FWD	1198	51	69	05.07-11.09	*
1.4 16V (AUA)		Gasolina	FWD	1390	55	75	10.01-05.08	*
1.4 16V (BBY)		Gasolina	FWD	1390	55	75	10.01-05.08	*
1.4 16V (BKY)		Gasolina	FWD	1390	55	75	10.01-05.08	*
1.4 16V (BUD)		Gasolina	FWD	1390	59	80	05.06-11.09	*
1.4 (BLM)		Gasolina	FWD	1390	61	83	08.02-11.09	*
1.4 FSI (AXU)		Gasolina	FWD	1390	63	86	02.02-07.06	*
1.4 16V (AUB)		Gasolina	FWD	1390	74	101	10.01-05.08	*
1.4 16V (BBZ)		Gasolina	FWD	1390	74	101	10.01-05.08	*
1.6 16V (BTS)		Gasolina	FWD	1598	77	105	05.06-11.09	*
1.4 BiFuel (BUD)		Gasol./Gas (LPG)	FWD	1390	60	82	05.06-11.09	*
1.4 TDI (BNM)		Diesel	FWD	1422	51	70	04.05-11.09	*

# LISTA DE APLICACIONES - BUYERS GUIDE

1.4 TDI (BWB)		Diesel	FWD	1422	51	70	04.05-11.09	*	
1.4 TDI (AMF)		Diesel	FWD	1422	55	75	10.01-06.05	*	
1.4 TDI (BAY)		Diesel	FWD	1422	55	75	10.01-06.05	*	
1.4 TDI (BMS)		Diesel	FWD	1422	59	80	04.05-11.09	*	
1.4 TDI (BNV)		Diesel	FWD	1422	59	80	04.05-11.09	*	
1.9 SDI (ASY)		Diesel	FWD	1896	47	64	10.01-11.09	*	
1.9 TDI (ATD)		Diesel	FWD	1896	74	101	10.01-11.09	*	
1.9 TDI (AXR)		Diesel	FWD	1896	74	101	10.01-11.09	*	
1.9 TDI (BMT)		Diesel	FWD	1896	74	101	10.01-11.09	*	
<b>POLO IV (9N2, 9N4) 09.02-12.10</b>					<b>Sedán (Supermini car-B Segment)</b>				
1.9 TDI (ATD)		Diesel	FWD	1896	74	101	07.03-12.10	*	
<b>POLO IV / DERBY (9A4, 9A2, 9N2, 9A6) 09.02-</b>					<b>Sedán (Supermini car-B Segment)</b>				
1.4 (BBY)		Gasolina	FWD	1390	55	75	11.02-04.12	*	
1.4 (BKY)		Gasolina	FWD	1390	55	75	11.02-04.12	*	
1.4 (BLM)		Gasolina	FWD	1390	61	83	12.03-08.10	*	
1.4 (BBZ)		Gasolina	FWD	1390	74	101	11.03-06.05	*	
1.6 (BAH)		Gasolina	FWD	1598	74	101	09.02-	*	
1.6 (CCRA)		Gasolina	FWD	1598	74	101	09.02-	*	
1.6 (CFZA)		Gasolina	FWD	1598	74	101	09.02-	*	
1.4 TDI (BAY)		Diesel	FWD	1422	55	75	07.03-06.05	*	
1.9 SDI (ASY)		Diesel	FWD	1896	47	64	09.02-04.12	*	
1.9 TDI (ATD)		Diesel	FWD	1896	74	101	09.02-	*	
<b>SCIROCCO III (137, 138) 05.08-</b>					<b>Coupé (Sport compact car-C Segment)</b>				
1.4 TSI (CAXA)		Gasolina	FWD	1390	90	122	08.08-11.17	*	
1.4 TSI (CMSB)		Gasolina	FWD	1390	90	122	08.08-11.17	*	
2.0 TDI (CBDB)		Diesel	FWD	1968	103	140	08.08-11.17	*	
2.0 TDI (CFHC)		Diesel	FWD	1968	103	140	08.08-11.17	*	
2.0 TDI (CBBB)		Diesel	FWD	1968	125	170	05.09-11.17	*	
2.0 TDI (CFGB)		Diesel	FWD	1968	125	170	05.09-11.17	*	
2.0 TDI (CFGC)		Diesel	FWD	1968	130	177	01.13-11.17	*	
<b>SCIROCCO III (137) 06.08-05.14</b>					<b>Furgón/hatchback (Sport compact car-C Segment)</b>				
1.4 TSI (CAXA)		Gasolina	FWD	1390	90	122	08.08-05.14	*	
2.0 TDI (CBDB)		Diesel	FWD	1968	103	140	08.08-05.14	*	
2.0 TDI (CFHC)		Diesel	FWD	1968	103	140	08.08-05.14	*	
2.0 TDI (CBBB)		Diesel	FWD	1968	125	170	05.09-05.14	*	
2.0 TDI (CFGB)		Diesel	FWD	1968	125	170	05.09-05.14	*	
<b>VENTO / JETTA VII (602, 604) 01.10-</b>					<b>Sedán (Compact car-C Segment)</b>				
1.6		Gasolina	FWD	1598	77	105	07.10-	*	
1.6 TDI		Diesel	RWD	1598	77	105	09.13-	*	
<b>VW (FAW)</b>									
<b>CADDY (9HB) 04.04-12.07</b>					<b>[CAMBIADO]:Furgón (LCVs-N1 Segment)</b>				
1.6		Gasolina	FWD	1595	75	102	03.05-	*	
2.0		Gasolina	FWD	1996	51	69	03.05-	*	
<b>SAGITAR III (0J3, 0J4) 03.19-</b>					<b>Sedán (Compact car-C Segment)</b>				
200TSi		Gasolina	FWD	1197	85	116	03.19-	*	
280TSi		Gasolina	FWD	1395	110	150	03.19-	*	