

LISTA DE APLICACIONES - BUYERS GUIDE

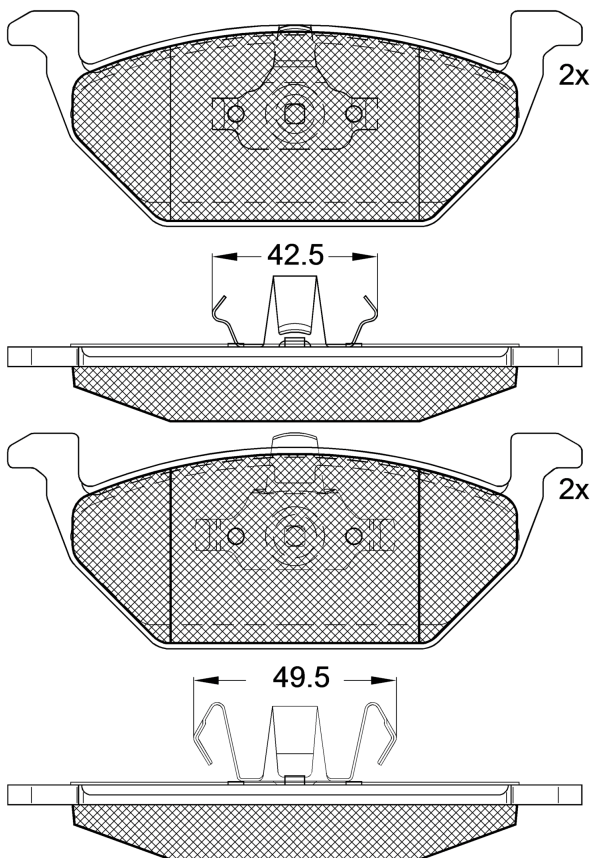
RB1338



Qty: 300

Weight: 1.585

O.E.M.	MAKE
1J0 698 151	VW
1J0 698 151 A	VW
1J0 698 151 C	VW
1J0 698 151 H	VW
1J0 698 151 J	VW
1JE 698 151 B	VW
1S0 698 151	VW
1S0 698 151 A	VW
1S0 698 151 B	VW
1S0 698 151 C	VW
1S0698151D	SEAT
2Q0 698 151	SEAT
2Q0 698 151 A	VW
6C0 698 151 A	VW
6C0 698 151 B	VW
6C0 698 151 C	VW
6Q0 698 151	VW
6R0 698 151 A	VW
JZW 698 151 A	VW
JZW 698 151 AF	VW



RB1338

E 9 90R-01111/413



Ate - Teves

146x54.7x19.5

WVA	FMSI
21974	D768-7860
23130	
23131	

Sin Filas



Trac.	CC	Kw	CV
-------	----	----	----



Front / Rear

AUDI

A1 (8X1, 8XK) 05.10-

[CAMBIADO]:Fastback (Supermini car-B Segment)

Model	Fuel	Trac.	CC	Kw	CV	Year Range	Notes
1.0 TFSI (CHZE)	Gasolina	FWD	999	60	82	01.16-10.18	*
1.0 TFSI (CHZB)	Gasolina	FWD	999	70	95	03.15-10.18	*
1.0 TFSI (DKLD)	Gasolina	FWD	999	70	95	03.15-10.18	*
1.2 TFSI (CBZA)	Gasolina	FWD	1197	63	86	05.10-04.15	*
1.4 TFSI (CAXA)	Gasolina	FWD	1390	90	122	05.10-04.15	*
1.4 TFSI (CNVA)	Gasolina	FWD	1390	90	122	05.10-04.15	*
1.4 TFSI (CAVG)	Gasolina	FWD	1390	136	185	01.11-04.15	*
1.4 TFSI (CTHG)	Gasolina	FWD	1390	136	185	01.11-04.15	*
1.4 TFSI (CZCA)	Gasolina	FWD	1395	92	125	11.14-10.18	*
1.4 TFSI (CZDD)	Gasolina	FWD	1395	92	125	11.14-10.18	*
1.4 TFSI (CPTA)	Gasolina	FWD	1395	103	140	04.12-04.15	*
1.4 TSI (CZEA)	Gasolina	FWD	1395	110	150	11.14-10.18	*
1.4 TDI (CUSB)	Diesel	FWD	1422	66	90	11.14-10.18	*
1.6 TDI (CAYB)	Diesel	FWD	1598	66	90	03.11-04.15	*
1.6 TDI (CAYC)	Diesel	FWD	1598	77	105	05.10-04.15	*
1.6 TDI (CXMA)	Diesel	FWD	1598	85	115	11.14-10.18	*
2.0 TDI (CFHB)	Diesel	FWD	1968	100	136	05.12-04.15	*
2.0 TDI (CFHD)	Diesel	FWD	1968	105	143	09.11-04.15	*

A1 CITY CARVER (GBH) 07.19-

[CAMBIADO]:Fastback (Supermini car-B Segment)

25 TFSI (DKLA)	Gasolina	FWD	999	70	95	07.19-06.22	*
30 TFSI (DLAA)	Gasolina	FWD	999	81	110	09.20-06.22	*
30 TFSI (DKJA)	Gasolina	FWD	999	85	116	07.19-06.22	*

LISTA DE APLICACIONES - BUYERS GUIDE

30 TFSI (DKRF)		Gasolina	FWD	999	85	116	07.19-06.22	*
35 TFSI (DPCA)		Gasolina	FWD	1498	110	150	07.19-06.22	*
A1 II Sportback (GBA) 07.18-					[CAMBIADO]:Fastback (Supermini car-B Segment)			
25 TFSI (DKLA)		Gasolina	FWD	999	70	95	11.18-	*
25 TFSI (DLAC)		Gasolina	FWD	999	70	95	11.18-	*
30 TFSI (DLAA)		Gasolina	FWD	999	81	110	09.20-	*
30 TFSI (DKJA)		Gasolina	FWD	999	85	116	07.18-	*
30 TFSI (DKRF)		Gasolina	FWD	999	85	116	07.18-	*
35 TFSI (DADA)		Gasolina	FWD	1498	110	150	09.18-	*
35 TFSI (DPCA)		Gasolina	FWD	1498	110	150	09.18-	*
A1 II Allstreet (GBH) 07.22-					[CAMBIADO]:Fastback (Supermini car-B Segment)			
25 TFSI		Gasolina	FWD	999	70	95	07.22-	*
30 TFSI		Gasolina	FWD	999	81	110	07.22-	*
30 TFSI		Gasolina	FWD	999	85	116	03.24-	*
35 TFSI		Gasolina	FWD	1498	110	150	07.22-	*
A1 Sportback (8XA, 8XF) 09.11-					[CAMBIADO]:Fastback (Supermini car-B Segment)			
1.0 TFSI (CHZE)		Gasolina	FWD	999	60	82	01.16-10.18	*
1.0 TFSI (CHZB)		Gasolina	FWD	999	70	95	03.15-10.18	*
1.0 TFSI (DKLD)		Gasolina	FWD	999	70	95	03.15-10.18	*
1.2 TFSI (CBZA)		Gasolina	FWD	1197	63	86	01.12-04.15	*
1.4 TFSI (CAXA)		Gasolina	FWD	1390	90	122	11.11-04.15	*
1.4 TFSI (CNVA)		Gasolina	FWD	1390	90	122	11.11-04.15	*
1.4 TFSI (CAVG)		Gasolina	FWD	1390	136	185	11.11-04.15	*
1.4 TFSI (CTHG)		Gasolina	FWD	1390	136	185	11.11-04.15	*
1.4 TFSI (CZCA)		Gasolina	FWD	1395	92	125	11.14-10.18	*
1.4 TFSI (CZDD)		Gasolina	FWD	1395	92	125	11.14-10.18	*
1.4 TFSI (CPTA)		Gasolina	FWD	1395	103	140	04.12-04.15	*
1.4 TSI (CZEA)		Gasolina	FWD	1395	110	150	11.14-10.18	*
1.4 TDI (CUSB)		Diesel	FWD	1422	66	90	11.14-10.18	*
1.6 TDI (CAYB)		Diesel	FWD	1598	66	90	11.11-04.15	*
1.6 TDI (CAYC)		Diesel	FWD	1598	77	105	11.11-04.15	*
1.6 TDI (CXMA)		Diesel	FWD	1598	85	115	11.14-10.18	*
2.0 TDI (CFHB)		Diesel	FWD	1968	100	136	05.12-04.15	*
2.0 TDI (CFHD)		Diesel	FWD	1968	105	143	09.11-04.15	*
A3 (8L1) 09.96-09.06					[CAMBIADO]:Fastback (Compact executive car-D Segment)			
1.6 (AEH)		Gasolina	FWD	1595	74	101	09.96-05.03	*
1.6 (AKL)		Gasolina	FWD	1595	74	101	09.96-05.03	*
1.6 (APF)		Gasolina	FWD	1595	74	101	09.96-05.03	*
1.8 (AGN)		Gasolina	FWD	1781	92	125	09.96-05.03	*
1.8 (APG)		Gasolina	FWD	1781	92	125	09.96-05.03	*
1.9 TDI (AGR)		Diesel	FWD	1896	66	90	09.96-07.01	*
1.9 TDI (ALH)		Diesel	FWD	1896	66	90	09.96-07.01	*
1.9 TDI (ATD)		Diesel	FWD	1896	74	100	10.00-05.03	*
1.9 TDI (AXR)		Diesel	FWD	1896	74	100	10.00-05.03	*
1.9 TDI (AHF)		Diesel	FWD	1896	81	110	08.97-07.01	*
1.9 TDI (ASV)		Diesel	FWD	1896	81	110	08.97-07.01	*
JETTA								
VA3 (0M2) 09.19-					Sedán (Compact car-C Segment)			
1.5 (DLFA)		Gasolina	FWD	1498	82	112	09.19-	*

LISTA DE APLICACIONES - BUYERS GUIDE

ROEWE (SAIC)

i5 10.18-					Sedán (Compact car-C Segment)			
1.5		Gasolina	FWD	1498	888	120	10.18-	*
i6 PLUS 03.19-					Sedán ()			
1.6 (16S4C)		Gasolina	FWD	1598	92	125	03.19-	*

SEAT

CORDOBA III (6L2) 09.02-11.09					Sedán (Supermini car-B Segment)			
1.2 (AZQ)		Gasolina	FWD	1198	47	64	10.02-06.06	*
1.2 (BME)		Gasolina	FWD	1198	47	64	10.02-06.06	*
1.2 12V (BXV)		Gasolina	FWD	1198	51	70	05.06-11.09	*
1.4 16V (BBY)		Gasolina	FWD	1390	55	75	09.02-12.07	*
1.4 16V (BKY)		Gasolina	FWD	1390	55	75	09.02-12.07	*
1.4 16V (BXW)		Gasolina	FWD	1390	63	86	05.06-11.09	*
1.4 16V (BBZ)		Gasolina	FWD	1390	74	100	10.02-11.09	*
1.6 (BAH)		Gasolina	FWD	1598	74	101	04.03-11.09	*
1.6 16V (BTS)		Gasolina	FWD	1598	77	105	11.06-11.09	*
2.0 (AZL)		Gasolina	FWD	1984	85	115	09.02-11.09	*
2.0 (BBX)		Gasolina	FWD	1984	85	115	09.02-11.09	*
1.4 Tdi 14"		Diesel	RWD	1395	51	69	09.02-	*
1.4 TDI (BNM)		Diesel	FWD	1422	51	70	05.05-11.09	*
1.4 TDI (AMF)		Diesel	FWD	1422	55	75	10.02-12.05	*
1.4 TDI (BMS)		Diesel	FWD	1422	59	80	06.05-11.09	*
1.4 TDI (BNV)		Diesel	FWD	1422	59	80	06.05-11.09	*
1.9 SDI (ASY)		Diesel	FWD	1896	47	64	09.02-11.09	*
1.9 TDI (ATD)		Diesel	FWD	1896	74	100	09.02-11.09	*
1.9 TDI (AXR)		Diesel	FWD	1896	74	100	09.02-11.09	*
1.9 TDI (BMT)		Diesel	FWD	1896	74	100	09.02-11.09	*
1.9 TDI (ASZ)		Diesel	FWD	1896	96	131	10.02-11.09	*
1.9 TDI (BLT)		Diesel	FWD	1896	96	131	10.02-11.09	*

IBIZA III (6L1) 02.02-11.09					[CAMBIADO]:Fastback (Supermini car-B Segment)			
1.2 (BBM)		Gasolina	FWD	1198	44	60	06.07-05.08	*
1.2 (AZQ)		Gasolina	FWD	1198	47	64	02.02-06.06	*
1.2 (BME)		Gasolina	FWD	1198	47	64	02.02-06.06	*
1.2 12V (BXV)		Gasolina	FWD	1198	51	70	05.06-11.09	*
1.4 16V (BBY)		Gasolina	FWD	1390	55	75	02.02-12.07	*
1.4 16V (BKY)		Gasolina	FWD	1390	55	75	02.02-12.07	*
1.4 16V (BXW)		Gasolina	FWD	1390	63	86	05.06-11.09	*
1.4 16V (AUB)		Gasolina	FWD	1390	74	100	02.02-11.09	*
1.4 16V (BBZ)		Gasolina	FWD	1390	74	100	02.02-11.09	*
1.6 (BAH)		Gasolina	FWD	1598	74	101	02.03-11.09	*
1.6 16V (BTS)		Gasolina	FWD	1598	77	105	11.06-11.09	*
2.0 (AZL)		Gasolina	FWD	1984	85	116	04.02-11.09	*
2.0 (BBX)		Gasolina	FWD	1984	85	116	04.02-11.09	*
1.4 TDI (BNM)		Diesel	FWD	1422	51	70	05.05-11.09	*
1.4 TDI (AMF)		Diesel	FWD	1422	55	75	05.02-12.05	*
1.4 TDI (BMS)		Diesel	FWD	1422	59	80	06.05-11.09	*
1.4 TDI (BNV)		Diesel	FWD	1422	59	80	06.05-11.09	*
1.9 SDI (ASY)		Diesel	FWD	1896	47	64	02.02-12.05	*
1.9 TDI (ATD)		Diesel	FWD	1896	74	100	02.02-11.09	*

LISTA DE APLICACIONES - BUYERS GUIDE

1.9 TDI (AXR)		Diesel	FWD	1896	74	100	02.02-11.09	*
1.9 TDI (BMT)		Diesel	FWD	1896	74	100	02.02-11.09	*
IBIZA IV (6J5, 6P1) 03.08-				[CAMBIADO]:Fastback (Supermini car-B Segment)				
1.0 (CHYB)		Gasolina	FWD	999	55	75	05.15-06.17	*
1.0 TSI (CHZB)		Gasolina	FWD	999	70	95	05.15-06.17	*
1.2 TSI (CBZA)		Gasolina	FWD	1197	63	86	08.12-05.15	*
1.2 TSI (CJZC)		Gasolina	FWD	1197	66	90	05.15-06.17	*
1.2 TSI (CBZB)		Gasolina	FWD	1197	77	105	09.10-03.12	*
1.2 (CGPB)		Gasolina	FWD	1198	44	60	07.09-05.15	*
1.2 (BZG)		Gasolina	FWD	1198	51	70	03.08-05.15	*
1.2 (CGPA)		Gasolina	FWD	1198	51	70	03.08-05.15	*
1.2 (CJLB)		Gasolina	FWD	1198	51	70	03.08-05.15	*
1.4 (BXW)		Gasolina	FWD	1390	63	85	03.08-05.15	*
1.4 (CGGB)		Gasolina	FWD	1390	63	85	03.08-05.15	*
1.4 TSI (CPTA)		Gasolina	FWD	1395	103	140	10.13-05.15	*
1.6 (BTS)		Gasolina	FWD	1598	77	105	05.08-03.12	*
2.0 (CEKA)		Gasolina	FWD	1984	85	115	10.08-05.15	*
1.2 LPG (BZG)		Gasol./Gas (LPG)	FWD	1198	51	70	03.08-05.11	*
1.4 LPG (BXW)		Gasol./Gas (LPG)	FWD	1390	63	85	03.08-05.11	*
1.6 LPG (CNKA)		Gasol./Gas (LPG)	FWD	1598	60	81	05.11-05.15	*
1.2 TDI (CFWA)		Diesel	FWD	1199	55	75	06.10-05.15	*
1.4 TDI (CUSA)		Diesel	FWD	1422	55	75	05.15-06.17	*
1.4 TDI (BMS)		Diesel	FWD	1422	59	80	07.08-06.10	*
1.4 TDI (CUSB)		Diesel	FWD	1422	66	90	05.15-06.17	*
1.6 TDI		Diesel	RWD	1598	55	75	05.10-06.10	*
1.6 TDI (CAYA)		Diesel	FWD	1598	55	75	05.09-06.10	*
1.6 TDI (CAYB)		Diesel	FWD	1598	66	90	05.09-05.15	*
1.6 TDI (CAYC)		Diesel	FWD	1598	77	105	05.09-05.15	*
1.6 TDI (CLNA)		Diesel	FWD	1598	77	105	05.09-05.15	*
1.9 TDI (BXJ)		Diesel	FWD	1896	66	90	07.08-06.10	*
1.9 TDI (BLS)		Diesel	FWD	1896	77	105	03.08-06.10	*
IBIZA IV (6J1) 04.08-				Furgón/hatchback (Supermini car-B Segment)				
1.2 (CGPA)		Gasolina	FWD	1198	51	69	04.08-05.15	*
1.2 TDI (CFWA)		Diesel	FWD	1199	55	75	05.10-05.15	*
1.6 TDI (CAYB)		Diesel	FWD	1598	66	90	05.09-05.15	*
IBIZA IV SC (6J1, 6P5) 06.08-12.18				[CAMBIADO]:Fastback (Supermini car-B Segment)				
1.0 (CHYB)		Gasolina	FWD	999	55	75	05.15-12.16	*
1.0 TSI (CHZB)		Gasolina	FWD	999	70	95	05.15-12.16	*
1.2 TSI (CBZA)		Gasolina	FWD	1197	63	86	08.12-05.15	*
1.2 TSI (CJZC)		Gasolina	FWD	1197	66	90	05.15-12.16	*
1.2 TSI (CBZB)		Gasolina	FWD	1197	77	105	09.10-05.15	*
1.2 (CGPB)		Gasolina	FWD	1198	44	60	07.09-05.15	*
1.2 (BZG)		Gasolina	FWD	1198	51	70	07.08-05.15	*
1.2 (CGPA)		Gasolina	FWD	1198	51	70	07.08-05.15	*
1.4 (BXW)		Gasolina	FWD	1390	63	85	07.08-05.15	*
1.4 (CGGB)		Gasolina	FWD	1390	63	85	07.08-05.15	*
1.4 TSI (CPTA)		Gasolina	FWD	1395	103	140	10.13-05.15	*
1.6 (BTS)		Gasolina	FWD	1598	77	105	07.08-05.15	*

LISTA DE APLICACIONES - BUYERS GUIDE

1.6 (CWVA)		Gasolina	FWD	1598	81	110	07.15-12.16	*
2.0 (CEKA)		Gasolina	FWD	1984	85	115	10.08-05.15	*
1.4 LPG		Gasol./Gas (LPG)	FWD	1390	63	85	07.08-05.11	*
1.6 LPG (CNKA)		Gasol./Gas (LPG)	FWD	1598	60	81	05.11-05.15	*
1.2 TDI (CFWA)		Diesel	FWD	1199	55	75	05.10-05.15	*
1.4 TDI (CUSA)		Diesel	FWD	1422	55	75	05.15-12.16	*
1.4 TDI (BMS)		Diesel	FWD	1422	59	80	07.08-06.10	*
1.4 TDI (CUSB)		Diesel	FWD	1422	66	90	05.15-12.16	*
1.6 TDI (CAYA)		Diesel	FWD	1598	55	75	05.10-06.10	*
1.6 TDI (CAYB)		Diesel	FWD	1598	66	90	05.09-05.15	*
1.6 TDI (CAYC)		Diesel	FWD	1598	77	105	05.09-05.15	*
1.9 TDI (BXJ)		Diesel	FWD	1896	66	90	06.08-06.10	*
1.9 TDI (BLS)		Diesel	FWD	1896	77	105	07.08-06.10	*
IBIZA IV SC (6J1, 6P5) 06.08-12.18				Coupé (Supermini car-B Segment)				
1.6 TDI		Diesel	RWD	1598	55	75	05.10-06.10	*
IBIZA IV ST (6J8, 6P8) 03.10-				[CAMBIADO]:Break (Supermini car-B Segment)				
1.0 (CHYB)		Gasolina	FWD	999	55	75	05.15-07.16	*
1.0 TSI (CHZB)		Gasolina	FWD	999	70	95	05.15-07.16	*
1.2 TSI (CBZA)		Gasolina	FWD	1197	63	86	09.12-05.15	*
1.2 TSI (CJZC)		Gasolina	FWD	1197	66	90	05.15-07.16	*
1.2 TSI (CBZB)		Gasolina	FWD	1197	77	105	09.10-05.15	*
1.2 (CGPB)		Gasolina	FWD	1198	44	60	05.10-05.15	*
1.2 (BZG)		Gasolina	FWD	1198	51	70	05.10-05.15	*
1.2 (CGPA)		Gasolina	FWD	1198	51	70	05.10-05.15	*
1.2 (CJLB)		Gasolina	FWD	1198	51	70	05.10-05.15	*
1.4 (CGGB)		Gasolina	FWD	1390	63	85	03.10-05.15	*
1.4 TSI (CAVF)		Gasolina	FWD	1390	110	150	02.12-05.15	*
1.4 TSI (CNUB)		Gasolina	FWD	1390	110	150	02.12-05.15	*
1.4 TSI (CTHF)		Gasolina	FWD	1390	110	150	02.12-05.15	*
1.4 TSI (CTJB)		Gasolina	FWD	1390	110	150	02.12-05.15	*
1.4 TSI (CPTA)		Gasolina	FWD	1395	103	140	10.13-05.15	*
1.6		Gasolina	FWD	1598	77	105	02.12-	*
1.6 (BTS)		Gasolina	FWD	1598	77	105	02.12-05.15	*
1.2 TDI (CFWA)		Diesel	FWD	1199	55	75	04.10-05.15	*
1.4 TDI (CUSA)		Diesel	FWD	1422	55	75	05.15-07.16	*
1.4 TDI (CUSB)		Diesel	FWD	1422	66	90	05.15-07.16	*
1.6 TDI (CAYB)		Diesel	FWD	1598	66	90	03.10-05.15	*
1.6 TDI (CAYC)		Diesel	FWD	1598	77	105	03.10-05.15	*
1.6 TDI (CLNA)		Diesel	FWD	1598	77	105	03.10-05.15	*
IBIZA V (KJ1, KJG) 01.17-				[CAMBIADO]:Fastback (Supermini car-B Segment)				
1.0 MPi (CHYC)		Gasolina	FWD	999	48	65	07.17-	*
1.0 MPi (DFNB)		Gasolina	FWD	999	48	65	07.17-	*
1.0 MPi (CHYB)		Gasolina	FWD	999	55	75	01.17-	*
1.0 MPi (DFNA)		Gasolina	FWD	999	59	80	07.18-	*
1.0 MPi (DSGB)		Gasolina	FWD	999	59	80	07.18-	*
1.0 TSI (CHZL)		Gasolina	FWD	999	70	95	01.17-	*
1.0 TSI (DKLA)		Gasolina	FWD	999	70	95	01.17-	*
1.0 TSI (DLAA)		Gasolina	FWD	999	81	110	06.20-	*
1.0 TSI (CHZJ)		Gasolina	FWD	999	85	116	01.17-	*

LISTA DE APLICACIONES - BUYERS GUIDE

1.0 TSI (DKJA)		Gasolina	FWD	999	85	116	01.17-	*
1.0 TSI (DKRF)		Gasolina	FWD	999	85	116	01.17-	*
1.5 TSI (DADA)		Gasolina	FWD	1498	110	150	07.17-	*
1.6 SRE (CWVA)		Gasolina	FWD	1598	81	110	05.17-	*
1.0 TGI (DBYA)		Gasol./Gas (CNG)	FWD	999	66	90	11.17-	*
1.6 TDI (DGTC)		Diesel	FWD	1598	59	80	11.17-	*
1.6 TDI (DGTD)		Diesel	FWD	1598	70	95	09.17-	*
1.6 TDI (DGTA)		Diesel	FWD	1598	85	115	12.17-	*
LEON (1M1) 11.99-06.06					[CAMBIADO]:Fastback (Compact car-C Segment)			
1.4 16V (AHW)		Gasolina	FWD	1390	55	75	11.99-06.06	*
1.4 16V (APE)		Gasolina	FWD	1390	55	75	11.99-06.06	*
1.4 16V (AXP)		Gasolina	FWD	1390	55	75	11.99-06.06	*
1.4 16V (BCA)		Gasolina	FWD	1390	55	75	11.99-06.06	*
1.6 (AEH)		Gasolina	FWD	1595	74	100	11.99-06.06	*
1.6 (AKL)		Gasolina	FWD	1595	74	100	11.99-06.06	*
1.6 (BFQ)		Gasolina	FWD	1595	75	102	10.05-06.06	*
1.6 16V (AUS)		Gasolina	FWD	1598	77	105	09.00-06.06	*
1.6 16V (AZD)		Gasolina	FWD	1598	77	105	09.00-06.06	*
1.6 16V (BCB)		Gasolina	FWD	1598	77	105	09.00-06.06	*
1.8 20V (AGN)		Gasolina	FWD	1781	92	125	11.99-06.06	*
1.8 20V (APG)		Gasolina	FWD	1781	92	125	11.99-06.06	*
1.9 SDI (AQM)		Diesel	FWD	1896	50	68	11.99-06.06	*
1.9 TDI (AGR)		Diesel	FWD	1896	66	90	11.99-06.06	*
1.9 TDI (ALH)		Diesel	FWD	1896	66	90	11.99-06.06	*
1.9 TDI (AXR)		Diesel	FWD	1896	74	100	10.05-06.06	*
1.9 TDI (AHF)		Diesel	FWD	1896	81	110	11.99-06.06	*
1.9 TDI (ASV)		Diesel	FWD	1896	81	110	11.99-06.06	*
LEON II (1P1) 05.05-12.13					[CAMBIADO]:Fastback (Compact car-C Segment)			
1.6 TDI (CAYB)		Diesel	FWD	1598	66	90	11.10-12.12	*
1.6 TDI (CAYC)		Diesel	FWD	1598	77	105	02.10-12.12	*
1.9 TDI (BXF)		Diesel	FWD	1896	66	90	06.07-12.10	*
Mii (KF1, KE1) 10.11-					[CAMBIADO]:Fastback (City car-A Segment)			
1.0 (CHYA)		Gasolina	FWD	999	44	60	10.11-07.19	*
1.0 (CHYB)		Gasolina	FWD	999	55	75	10.11-07.19	*
1.0 EcoFuel (CPGA)		Gasol./Gas (CNG)	FWD	999	50	68	10.12-07.19	*
Electric (EBMA)		Eléctrico	FWD		61	83	01.20-	*
TOLEDO II (1M2) 10.98-05.06					Sedán (Compact car-C Segment)			
1.4 16V (AHW)		Gasolina	FWD	1390	55	75	01.00-05.02	*
1.4 16V (APE)		Gasolina	FWD	1390	55	75	01.00-05.02	*
1.4 16V (AXP)		Gasolina	FWD	1390	55	75	01.00-05.02	*
1.4 16V (BCA)		Gasolina	FWD	1390	55	75	01.00-05.02	*
1.6 (AEH)		Gasolina	FWD	1595	74	100	10.98-07.04	*
1.6 (AKL)		Gasolina	FWD	1595	74	100	10.98-07.04	*
1.6 16V (AUS)		Gasolina	FWD	1598	77	105	06.00-05.06	*
1.6 16V (AZD)		Gasolina	FWD	1598	77	105	06.00-05.06	*
1.6 16V (BCB)		Gasolina	FWD	1598	77	105	06.00-05.06	*
1.8 20V (AGN)		Gasolina	FWD	1781	92	125	10.98-07.04	*

LISTA DE APLICACIONES - BUYERS GUIDE

1.8 20V (APG)		Gasolina	FWD	1781	92	125	10.98-07.04	*	
1.9 TDI (AGR)		Diesel	FWD	1896	66	90	03.99-07.04	*	
1.9 TDI (ALH)		Diesel	FWD	1896	66	90	03.99-07.04	*	
1.9 TDI (AXR)		Diesel	FWD	1896	74	101	08.05-05.06	*	
1.9 TDI (AHF)		Diesel	FWD	1896	81	110	10.98-07.04	*	
1.9 TDI (ASV)		Diesel	FWD	1896	81	110	10.98-07.04	*	
TOLEDO IV (KG3) 07.12-							[CAMBIADO]:Fastback (Compact car-C Segment)		
1.0 TSI (CHZB)		Gasolina	FWD	999	70	95	05.17-04.19	*	
1.0 TSI (DKLD)		Gasolina	FWD	999	70	95	05.17-04.19	*	
1.0 TSI (CHZC)		Gasolina	FWD	999	81	110	05.17-04.19	*	
1.0 TSI (DKRC)		Gasolina	FWD	999	81	110	05.17-04.19	*	
1.2 TSI (CBZA)		Gasolina	FWD	1197	63	86	07.12-06.15	*	
1.2 TSI (CJZC)		Gasolina	FWD	1197	66	90	05.15-05.17	*	
1.2 TSI (CBZB)		Gasolina	FWD	1197	77	105	07.12-06.15	*	
1.2 TSI (CJZD)		Gasolina	FWD	1197	81	110	05.15-05.17	*	
1.2 (CGPC)		Gasolina	FWD	1198	55	75	07.12-06.15	*	
1.4 TSI (CAXA)		Gasolina	FWD	1390	90	122	07.12-06.15	*	
1.4 TSI (CZCA)		Gasolina	FWD	1395	92	125	05.15-04.19	*	
1.6 (CFNA)		Gasolina	FWD	1598	77	105	07.13-06.15	*	
1.6 (CWVA)		Gasolina	FWD	1598	81	110	05.15-04.19	*	
1.4 TDI (CUSB)		Diesel	FWD	1422	66	90	05.15-04.19	*	
1.6 TDI (CAYB)		Diesel	FWD	1598	66	90	06.13-06.15	*	
1.6 TDI (CAYC)		Diesel	FWD	1598	77	105	07.12-06.15	*	
1.6 TDI (CLNA)		Diesel	FWD	1598	77	105	07.12-06.15	*	
1.6 TDI (CXMA)		Diesel	FWD	1598	85	115	05.15-04.19	*	
SKODA									
(545) 12.06-12.14							[CAMBIADO]:Furgón/Break ()		
1.0		Gasolina	FWD	999	44	60	10.14-12.22	*	
1.0		Gasolina	FWD	999	55	75	10.14-12.22	*	
1.2 TSI		Gasolina	FWD	1197	66	90	10.14-12.22	*	
1.4 TDI		Diesel	FWD	1422	55	75	05.15-12.22	*	
1.4 TDI		Diesel	FWD	1422	66	90	10.14-12.22	*	
TDI		Diesel	FWD	1598	55	75	10.13-11.14	*	
CITIGO (NF1) 10.11-							[CAMBIADO]:Fastback (City car-A Segment)		
1.0 (CHYA)		Gasolina	FWD	999	44	60	10.11-08.19	*	
1.0 (CHYB)		Gasolina	FWD	999	55	75	10.11-08.19	*	
1.0 LPG		Gasol./el éc./GLP	FWD	999	55	75	10.11-	*	
e iV		Eléctrico	FWD		61	83	10.19-	*	
1.0 CNG (CPGA)		CNG	FWD	999	50	68	11.12-08.19	*	
E-CITIGO (NE1) 09.19-							[CAMBIADO]:Fastback (City car-A Segment)		
e iV (EBMA)		Eléctrico	FWD		61	83	09.19-09.21	*	
FABIA (6Y2) 08.99-03.08							[CAMBIADO]:Fastback (Compact car-C Segment)		
1.2 (AWY)		Gasolina	FWD	1198	40	54	07.01-04.07	*	
1.2 (BMD)		Gasolina	FWD	1198	40	54	07.01-04.07	*	
1.2 (AZQ)		Gasolina	FWD	1198	47	64	01.03-03.08	*	
1.2 (BME)		Gasolina	FWD	1198	47	64	01.03-03.08	*	
1.4 16V (AUA)		Gasolina	FWD	1390	55	75	12.99-03.08	*	
1.4 16V (BBY)		Gasolina	FWD	1390	55	75	12.99-03.08	*	

LISTA DE APLICACIONES - BUYERS GUIDE

1.4 16V (BKY)		Gasolina	FWD	1390	55	75	12.99-03.08	*	
1.4 16V (AUB)		Gasolina	FWD	1390	74	100	12.99-03.08	*	
1.4 16V (BBZ)		Gasolina	FWD	1390	74	100	12.99-03.08	*	
1.4 (AZE)		Gasolina	FWD	1397	44	60	08.00-08.02	*	
1.4 (AZF)		Gasolina	FWD	1397	44	60	08.00-08.02	*	
1.4 (AME)		Gasolina	FWD	1397	50	68	08.99-05.03	*	
1.4 (AQW)		Gasolina	FWD	1397	50	68	08.99-05.03	*	
1.4 (ATZ)		Gasolina	FWD	1397	50	68	08.99-05.03	*	
1.4 TDI (BNM)		Diesel	FWD	1422	51	70	10.05-03.08	*	
1.4 TDI (AMF)		Diesel	FWD	1422	55	75	04.03-03.08	*	
1.4 TDI (BNV)		Diesel	FWD	1422	59	80	10.05-03.08	*	
1.9 SDI (ASY)		Diesel	FWD	1896	47	64	12.99-03.08	*	
1.9 TDI (ATD)		Diesel	FWD	1896	74	100	01.00-03.08	*	
1.9 TDI (AXR)		Diesel	FWD	1896	74	100	01.00-03.08	*	
FABIA (6Y5) 01.00-12.07							[CAMBIADO]:Furgón/Break (Compact car-C Segment)		
1.2 (AWY)		Gasolina	FWD	1198	40	54	07.01-12.07	*	
1.2 (BMD)		Gasolina	FWD	1198	40	54	07.01-12.07	*	
1.2 (AZQ)		Gasolina	FWD	1198	47	64	01.03-12.07	*	
1.2 (BME)		Gasolina	FWD	1198	47	64	01.03-12.07	*	
1.4 (BKY)		Gasolina	FWD	1390	55	75	05.04-12.07	*	
1.4 (AZE)		Gasolina	FWD	1397	44	60	04.00-03.03	*	
1.4 (AZF)		Gasolina	FWD	1397	44	60	04.00-03.03	*	
1.4 (AME)		Gasolina	FWD	1397	50	68	07.01-05.03	*	
1.4 (AQW)		Gasolina	FWD	1397	50	68	07.01-05.03	*	
1.4 (ATZ)		Gasolina	FWD	1397	50	68	07.01-05.03	*	
1.4 TDI (BNM)		Diesel	FWD	1422	51	70	10.05-12.07	*	
1.4 TDI (AMF)		Diesel	FWD	1422	55	75	08.04-10.05	*	
1.9 SDI (ASY)		Diesel	FWD	1896	47	64	07.01-12.07	*	
1.9 TDI (ATD)		Diesel	FWD	1896	74	101	01.00-12.07	*	
1.9 TDI (AXR)		Diesel	FWD	1896	74	101	01.00-12.07	*	
FABIA (6Y3) 10.99-12.07							Sedán (Compact car-C Segment)		
1.2 (AWY)		Gasolina	FWD	1198	40	54	07.01-12.07	*	
1.2 (BMD)		Gasolina	FWD	1198	40	54	07.01-12.07	*	
1.2 (AZQ)		Gasolina	FWD	1198	47	64	01.03-12.07	*	
1.2 (BME)		Gasolina	FWD	1198	47	64	01.03-12.07	*	
1.4 16V (AUA)		Gasolina	FWD	1390	55	75	10.99-12.07	*	
1.4 16V (BBY)		Gasolina	FWD	1390	55	75	10.99-12.07	*	
1.4 16V (BKY)		Gasolina	FWD	1390	55	75	10.99-12.07	*	
1.4 16V (BUD)		Gasolina	FWD	1390	59	80	04.06-12.07	*	
1.4 16V (AUB)		Gasolina	FWD	1390	74	100	12.99-12.07	*	
1.4 16V (BBZ)		Gasolina	FWD	1390	74	100	12.99-12.07	*	
1.4 (AZE)		Gasolina	FWD	1397	44	60	04.00-08.02	*	
1.4 (AZF)		Gasolina	FWD	1397	44	60	04.00-08.02	*	
1.4 (AME)		Gasolina	FWD	1397	50	68	07.01-05.03	*	
1.4 (AQW)		Gasolina	FWD	1397	50	68	07.01-05.03	*	
1.4 (ATZ)		Gasolina	FWD	1397	50	68	07.01-05.03	*	
1.4 TDI (BNM)		Diesel	FWD	1422	51	70	10.05-12.07	*	
1.4 TDI (AMF)		Diesel	FWD	1422	55	75	04.03-12.07	*	
1.4 TDI (BNV)		Diesel	FWD	1422	59	80	10.05-12.07	*	
1.9 SDI (ASY)		Diesel	FWD	1896	47	64	11.99-12.07	*	

LISTA DE APLICACIONES - BUYERS GUIDE

1.9 TDI (ATD)		Diesel	FWD	1896	74	100	01.00-12.07	*	
1.9 TDI (AXR)		Diesel	FWD	1896	74	100	01.00-12.07	*	
FABIA II (542) 12.06-12.14							[CAMBIADO]:Fastback (Compact car-C Segment)		
1.2 TSI (CBZA)		Gasolina	FWD	1197	63	86	03.10-12.14	*	
1.2 TSI (CBZB)		Gasolina	FWD	1197	77	105	03.10-12.14	*	
1.2 (BBM)		Gasolina	FWD	1198	44	60	12.06-12.14	*	
1.2 (CHFA)		Gasolina	FWD	1198	44	60	12.06-12.14	*	
1.2 12V (CGPB)		Gasolina	FWD	1198	44	60	11.11-12.14	*	
1.2 (BZG)		Gasolina	FWD	1198	51	70	01.07-12.14	*	
1.2 (CEVA)		Gasolina	FWD	1198	51	70	01.07-12.14	*	
1.2 (CGPA)		Gasolina	FWD	1198	51	70	01.07-12.14	*	
1.2 (CHTA)		Gasolina	FWD	1198	51	70	01.07-12.14	*	
1.2 12V		Gasolina	FWD	1198	55	75	10.10-12.14	*	
1.4 (BXW)		Gasolina	FWD	1390	63	86	01.07-12.14	*	
1.4 (CGGB)		Gasolina	FWD	1390	63	86	01.07-12.14	*	
1.4 TSI RS (CAVE)		Gasolina	FWD	1390	132	180	05.10-12.14	*	
1.4 TSI RS (CTHE)		Gasolina	FWD	1390	132	180	05.10-12.14	*	
1.6 (BTS)		Gasolina	FWD	1598	77	105	04.07-12.14	*	
1.6 (CFNA)		Gasolina	FWD	1598	77	105	04.07-12.14	*	
1.6 (CLSA)		Gasolina	FWD	1598	77	105	04.07-12.14	*	
1.2 LPG (CHFA)		Gasol./Gas (LPG)	FWD	1198	44	60	03.09-11.11	*	
1.2 LPG (CGPA)		Gasol./Gas (LPG)	FWD	1198	51	69	07.07-11.14	*	
1.4 LPG (BXW)		Gasol./Gas (LPG)	FWD	1390	63	86	01.07-11.14	*	
1.4 LPG (CGGB)		Gasol./Gas (LPG)	FWD	1390	63	86	01.07-11.14	*	
1.2 TDI (CFWA)		Diesel	FWD	1199	55	75	05.10-12.14	*	
1.4 TDI (BNM)		Diesel	FWD	1422	51	70	02.07-03.10	*	
1.4 TDI (BMS)		Diesel	FWD	1422	59	80	01.07-03.10	*	
1.4 TDI (BNV)		Diesel	FWD	1422	59	80	01.07-03.10	*	
1.6 TDI (CAYA)		Diesel	FWD	1598	55	75	04.10-12.14	*	
1.6 TDI (CAYB)		Diesel	FWD	1598	66	90	03.10-12.14	*	
1.6 TDI (CAYC)		Diesel	FWD	1598	77	105	03.10-12.14	*	
1.9 TDI (BLS)		Diesel	FWD	1896	77	105	04.07-03.10	*	
1.9 TDI (BSW)		Diesel	FWD	1896	77	105	04.07-03.10	*	
FABIA II Combi (545) 10.07-12.14							[CAMBIADO]:Break (Compact car-C Segment)		
1.2 TSI (CBZA)		Gasolina	FWD	1197	63	86	03.10-12.14	*	
1.2 TSI (CBZB)		Gasolina	FWD	1197	77	105	03.10-12.14	*	
1.2 (BBM)		Gasolina	FWD	1198	44	60	10.07-11.14	*	
1.2 (CHFA)		Gasolina	FWD	1198	44	60	10.07-11.14	*	
1.2 12V (CGPB)		Gasolina	FWD	1198	44	60	11.11-12.14	*	
1.2 (BZG)		Gasolina	FWD	1198	51	70	10.07-12.14	*	
1.2 (CEVA)		Gasolina	FWD	1198	51	70	10.07-12.14	*	
1.2 (CGPA)		Gasolina	FWD	1198	51	70	10.07-12.14	*	
1.2 (CHTA)		Gasolina	FWD	1198	51	70	10.07-12.14	*	
1.4 (BXW)		Gasolina	FWD	1390	63	86	10.07-12.14	*	
1.4 (CGGB)		Gasolina	FWD	1390	63	86	10.07-12.14	*	
1.4 TSI RS (CAVE)		Gasolina	FWD	1390	132	180	05.10-12.14	*	
1.4 TSI RS (CTHE)		Gasolina	FWD	1390	132	180	05.10-12.14	*	
1.6 (BTS)		Gasolina	FWD	1598	77	105	10.07-12.14	*	

LISTA DE APLICACIONES - BUYERS GUIDE

1.6 (CFNA)		Gasolina	FWD	1598	77	105	10.07-12.14	*	
1.2 LPG (CHFA)		Gasol./Gas (LPG)	FWD	1198	44	60	03.09-11.11	*	
1.2 LPG (CGPA)		Gasol./Gas (LPG)	FWD	1198	51	69	10.07-11.14	*	
1.4 LPG (BXW)		Gasol./Gas (LPG)	FWD	1390	63	86	10.07-11.14	*	
1.4 LPG (CGGB)		Gasol./Gas (LPG)	FWD	1390	63	86	10.07-11.14	*	
1.2 TDI (CFWA)		Diesel	FWD	1199	55	75	05.10-12.14	*	
1.4 TDI (BNM)		Diesel	FWD	1422	51	70	10.07-03.10	*	
1.4 TDI (BMS)		Diesel	FWD	1422	59	80	10.07-03.10	*	
1.4 TDI (BNV)		Diesel	FWD	1422	59	80	10.07-03.10	*	
1.6 TDI (CAYA)		Diesel	FWD	1598	55	75	04.10-12.14	*	
1.6 TDI (CAYB)		Diesel	FWD	1598	66	90	03.10-12.14	*	
1.6 TDI (CAYC)		Diesel	FWD	1598	77	105	03.10-12.14	*	
1.9 TDI (BLS)		Diesel	FWD	1896	77	105	10.07-03.10	*	
1.9 TDI (BSW)		Diesel	FWD	1896	77	105	10.07-03.10	*	
FABIA III (NJ5) 08.14-							[CAMBIADO]:Break (Compact car-C Segment)		
1.0 (CHYA)		Gasolina	FWD	999	44	60	10.14-12.22	*	
1.0 (CHYE)		Gasolina	FWD	999	44	60	10.14-12.22	*	
1.0 (CHYB)		Gasolina	FWD	999	55	75	10.14-12.22	*	
1.0 TSI (CHZB)		Gasolina	FWD	999	70	95	08.14-12.22	*	
1.0 TSI (DKLD)		Gasolina	FWD	999	70	95	08.14-12.22	*	
1.0 TSI (CHZC)		Gasolina	FWD	999	81	110	08.14-12.22	*	
1.0 TSI (DKRC)		Gasolina	FWD	999	81	110	08.14-12.22	*	
1.2 TSI (CJZC)		Gasolina	FWD	1197	66	90	10.14-12.22	*	
1.2 TSI (CJZD)		Gasolina	FWD	1197	81	110	10.14-12.22	*	
1.6 (CWVA)		Gasolina	FWD	1598	81	110	01.15-12.22	*	
1.4 TDI (CUSA)		Diesel	FWD	1422	55	75	05.15-12.22	*	
1.4 TDI (CUSB)		Diesel	FWD	1422	66	90	10.14-12.22	*	
1.4 TDI (CUTA)		Diesel	FWD	1422	77	105	10.14-12.22	*	
FABIA III (NJ3) 08.14-							[CAMBIADO]:Fastback (Compact car-C Segment)		
1.0 (CHYA)		Gasolina	FWD	999	44	60	08.14-06.21	*	
1.0 (CHYE)		Gasolina	FWD	999	44	60	08.14-06.21	*	
1.0 (CHYB)		Gasolina	FWD	999	55	75	08.14-06.21	*	
1.0 TSI (CHZB)		Gasolina	FWD	999	70	95	08.14-06.21	*	
1.0 TSI (DKLD)		Gasolina	FWD	999	70	95	08.14-06.21	*	
1.0 TSI (CHZC)		Gasolina	FWD	999	81	110	08.14-06.21	*	
1.0 TSI (DKRC)		Gasolina	FWD	999	81	110	08.14-06.21	*	
1.2 TSI (CJZC)		Gasolina	FWD	1197	66	90	08.14-06.21	*	
1.2 TSI (CJZD)		Gasolina	FWD	1197	81	110	08.14-06.21	*	
1.6 (CWVA)		Gasolina	FWD	1598	81	110	01.15-06.21	*	
1.4 TDI (CUSA)		Diesel	FWD	1422	55	75	05.15-06.21	*	
1.4 TDI (CUSB)		Diesel	FWD	1422	66	90	08.14-06.21	*	
1.4 TDI (CUTA)		Diesel	FWD	1422	77	105	08.14-06.21	*	
FABIA IV (PJ3) 06.21-							[CAMBIADO]:Fastback (Compact car-C Segment)		
1.0 MPi		Gasolina	FWD	999	48	65	08.21-	*	
1.0 MPi		Gasolina	FWD	999	59	80	06.21-	*	
1.0 TSI		Gasolina	FWD	999	70	95	06.21-	*	
1.0 TSI		Gasolina	FWD	999	81	110	06.21-	*	
1.0 TSI		Gasolina	FWD	999	85	116	01.24-	*	

LISTA DE APLICACIONES - BUYERS GUIDE

1.5 TSI		Gasolina	FWD	1498	110	150	11.21-	*
1.6		Gasolina	FWD	1598	81	110	06.21-	*
FABIA Combi (6Y5) 04.00-12.07				[CAMBIADO]:Break (Compact car-C Segment)				
1.2 (AWY)		Gasolina	FWD	1198	40	54	07.01-12.07	*
1.2 (BMD)		Gasolina	FWD	1198	40	54	07.01-12.07	*
1.2 (AZQ)		Gasolina	FWD	1198	47	64	01.03-12.07	*
1.2 (BME)		Gasolina	FWD	1198	47	64	01.03-12.07	*
1.4 16V (AUA)		Gasolina	FWD	1390	55	75	05.00-12.07	*
1.4 16V (BBY)		Gasolina	FWD	1390	55	75	05.00-12.07	*
1.4 16V (BKY)		Gasolina	FWD	1390	55	75	05.00-12.07	*
1.4 16V (BUD)		Gasolina	FWD	1390	59	80	04.06-12.07	*
1.4 16V (AUB)		Gasolina	FWD	1390	74	100	04.00-12.07	*
1.4 16V (BBZ)		Gasolina	FWD	1390	74	100	04.00-12.07	*
1.4 (AZE)		Gasolina	FWD	1397	44	60	04.00-03.03	*
1.4 (AZF)		Gasolina	FWD	1397	44	60	04.00-03.03	*
1.4 (AME)		Gasolina	FWD	1397	50	68	04.00-05.03	*
1.4 (AQW)		Gasolina	FWD	1397	50	68	04.00-05.03	*
1.4 (ATZ)		Gasolina	FWD	1397	50	68	04.00-05.03	*
1.4 TDI (BNM)		Diesel	FWD	1422	51	70	10.05-12.07	*
1.4 TDI (AMF)		Diesel	FWD	1422	55	75	04.03-12.07	*
1.4 TDI (BNV)		Diesel	FWD	1422	59	80	10.05-12.07	*
1.9 SDI (ASY)		Diesel	FWD	1896	47	64	04.00-12.07	*
1.9 TDI (ATD)		Diesel	FWD	1896	74	100	04.00-12.07	*
1.9 TDI (AXR)		Diesel	FWD	1896	74	100	04.00-12.07	*
KAMIQ (NW4) 07.19-				SUV (Compact Crossover CUV-C Segment)				
1.0 TSI (DKLA)		Gasolina	FWD	999	70	95	07.19-	*
1.0 TSI (DLAA)		Gasolina	FWD	999	81	110	08.20-	*
1.0 TSI (DKRF)		Gasolina	FWD	999	85	116	07.19-	*
1.5 TSI (DPCA)		Gasolina	FWD	1498	110	150	07.19-	*
1.6 SRE (CWVA)		Gasolina	FWD	1598	81	110	07.19-	*
1.0 TGI CNG (DBYA)		Gasol./Gas (CNG)	FWD	999	66	90	11.19-	*
1.6 TDI (DGTD)		Diesel	FWD	1598	70	95	09.19-	*
1.6 TDI		Diesel	FWD	1598	70	95	09.19-	*
1.6 TDI (DGTA)		Diesel	FWD	1598	85	115	07.19-	*
OCTAVIA (1U2) 09.96-12.10				[CAMBIADO]:Fastback (Compact car-C Segment)				
1.4 16V (AXP)		Gasolina	FWD	1390	55	75	09.00-12.10	*
1.4 16V (BCA)		Gasolina	FWD	1390	55	75	09.00-12.10	*
1.4 (AMD)		Gasolina	FWD	1397	44	60	04.99-03.01	*
1.6 (AVU)		Gasolina	FWD	1595	75	102	11.00-12.10	*
1.6 (BFQ)		Gasolina	FWD	1595	75	102	11.00-12.10	*
1.8 (AGN)		Gasolina	FWD	1781	92	125	09.96-07.00	*
2.0 (AEG)		Gasolina	FWD	1984	85	116	04.99-05.07	*
2.0 (APK)		Gasolina	FWD	1984	85	116	04.99-05.07	*
2.0 (AQY)		Gasolina	FWD	1984	85	116	04.99-05.07	*
2.0 (AZH)		Gasolina	FWD	1984	85	116	04.99-05.07	*
2.0 (AZJ)		Gasolina	FWD	1984	85	116	04.99-05.07	*
1.9 SDI (AGP)		Diesel	FWD	1896	50	68	06.97-12.03	*
1.9 SDI (AQM)		Diesel	FWD	1896	50	68	06.97-12.03	*
1.9 TDI (AGR)		Diesel	FWD	1896	66	90	09.96-03.10	*

LISTA DE APLICACIONES - BUYERS GUIDE

1.9 TDI (ALH)		Diesel	FWD	1896	66	90	09.96-03.10	*
1.9 TDI (AXR)		Diesel	FWD	1896	74	100	10.05-12.10	*
1.9 TDI (AHF)		Diesel	FWD	1896	81	110	08.97-01.06	*
1.9 TDI (ASV)		Diesel	FWD	1896	81	110	08.97-01.06	*
1.9 TDI (ASZ)		Diesel	FWD	1896	96	130	09.02-09.04	*
OCTAVIA (1U5) 08.00-03.10					[CAMBIADO]:Furgón/Break (Compact car-C Segment)			
1.9 D (AQM)		Diesel	FWD	1896	50	68	08.00-12.03	*
1.9 TDI (ALH)		Diesel	FWD	1896	66	90	08.00-03.10	*
OCTAVIA IV Combi (NX5, PV5) 11.19-					[CAMBIADO]:Break (Compact car-C Segment)			
2.0 TSI 4x4		Gasolina	4WD	1984	140	190	09.20-	*
OCTAVIA Combi (1U5) 07.98-12.10					[CAMBIADO]:Break (Compact car-C Segment)			
1.4 16V (AXP)		Gasolina	FWD	1390	55	75	08.00-12.10	*
1.4 16V (BCA)		Gasolina	FWD	1390	55	75	08.00-12.10	*
1.6 (AVU)		Gasolina	FWD	1595	75	102	09.00-12.10	*
1.6 (BFQ)		Gasolina	FWD	1595	75	102	09.00-12.10	*
1.8 20V (AGN)		Gasolina	FWD	1781	92	125	07.98-07.00	*
2.0 (AEG)		Gasolina	FWD	1984	85	116	04.99-05.07	*
2.0 (APK)		Gasolina	FWD	1984	85	116	04.99-05.07	*
2.0 (AQY)		Gasolina	FWD	1984	85	116	04.99-05.07	*
2.0 (AZH)		Gasolina	FWD	1984	85	116	04.99-05.07	*
2.0 (AZJ)		Gasolina	FWD	1984	85	116	04.99-05.07	*
1.9 SDI (AGP)		Diesel	FWD	1896	50	68	07.98-12.03	*
1.9 SDI (AQM)		Diesel	FWD	1896	50	68	07.98-12.03	*
1.9 TDI (AGR)		Diesel	FWD	1896	66	90	07.98-03.10	*
1.9 TDI (ALH)		Diesel	FWD	1896	66	90	07.98-03.10	*
1.9 TDI 4x4 (AGR)		Diesel	4WD	1896	66	90	11.99-02.06	*
1.9 TDI (AXR)		Diesel	FWD	1896	74	100	08.00-12.10	*
1.9 TDI 4x4 (ATD)		Diesel	4WD	1896	74	100	09.00-01.06	*
1.9 TDI (AHF)		Diesel	FWD	1896	81	110	07.98-01.06	*
1.9 TDI (ASV)		Diesel	FWD	1896	81	110	07.98-01.06	*
OCTAVIA III (5E3, NL3, NR3) 11.12-					[CAMBIADO]:Fastback (Compact car-C Segment)			
1.8 TSI (CJSA)		Gasolina	FWD	1798	132	180	11.12-10.20	*
1.8 TSI 4x4 (CJSB)		Gasolina	4WD	1798	132	180	05.14-10.20	*
2.0 TSI (DKZA)		Gasolina	FWD	1984	140	190	02.17-10.20	*
2.0 TSI 4x4 (DKZA)		Gasolina	4WD	1984	140	190	02.19-10.20	*
2.0 TDI / TDI RS 4x4 (CUNA)		Diesel	4WD	1968	135	184	05.13-10.20	*
2.0 TDI / TDI RS 4x4 (CUPA)		Diesel	4WD	1968	135	184	05.13-10.20	*
2.0 TDI / TDI RS 4x4 (DJGA)		Diesel	4WD	1968	135	184	05.13-10.20	*
2.0 TDI RS (CUNA)		Diesel	FWD	1968	135	184	05.13-10.20	*
2.0 TDI RS (CUPA)		Diesel	FWD	1968	135	184	05.13-10.20	*
2.0 TDI RS (DJGA)		Diesel	FWD	1968	135	184	05.13-10.20	*
OCTAVIA III Combi (5E5, 5E6) 11.12-					[CAMBIADO]:Break (Compact car-C Segment)			
1.8 TSI (CJSA)		Gasolina	FWD	1798	132	180	11.12-10.20	*
1.8 TSI (CJSB)		Gasolina	FWD	1798	132	180	11.12-10.20	*
1.8 TSI 4x4 (CJSB)		Gasolina	4WD	1798	132	180	11.12-02.17	*
2.0 TSI (DKZA)		Gasolina	FWD	1984	140	190	02.17-10.20	*
2.0 TSI 4x4 (DKZA)		Gasolina	4WD	1984	140	190	02.19-10.20	*
2.0 TDI / TDI RS 4x4 (CUNA)		Diesel	4WD	1968	135	184	05.13-10.20	*

LISTA DE APLICACIONES - BUYERS GUIDE

2.0 TDI / TDI RS 4x4 (CUPA)		Diesel	4WD	1968	135	184	05.13-10.20	*
2.0 TDI / TDI RS 4x4 (DJGA)		Diesel	4WD	1968	135	184	05.13-10.20	*
2.0 TDI RS (CUNA)		Diesel	FWD	1968	135	184	05.13-10.20	*
2.0 TDI RS (CUPA)		Diesel	FWD	1968	135	184	05.13-10.20	*
2.0 TDI RS (DJGA)		Diesel	FWD	1968	135	184	05.13-10.20	*
RAPID III (NH3, NK3, NK6) 07.12-					[CAMBIADO]:Fastback (Supermini car-B Segment)			
1.0 TSI (CHZB)		Gasolina	FWD	999	70	95	06.17-12.19	*
1.0 TSI (DKLD)		Gasolina	FWD	999	70	95	06.17-12.19	*
1.0 TSI (CHZC)		Gasolina	FWD	999	81	110	06.17-12.19	*
1.0 TSI (DKRC)		Gasolina	FWD	999	81	110	06.17-12.19	*
1.2 TSI (CBZA)		Gasolina	FWD	1197	63	86	07.12-05.15	*
1.2 TSI (CJZC)		Gasolina	FWD	1197	66	90	05.15-12.19	*
1.2 TSI (CBZB)		Gasolina	FWD	1197	77	105	07.12-05.15	*
1.2 TSI (CJZD)		Gasolina	FWD	1197	81	110	05.15-12.19	*
1.2 (CGPC)		Gasolina	FWD	1198	55	75	07.12-06.15	*
1.4 TSI (CAXA)		Gasolina	FWD	1390	90	122	07.12-06.15	*
1.4 TSI (CZCA)		Gasolina	FWD	1395	92	125	05.15-03.22	*
1.6 SRE (CWVB)		Gasolina	FWD	1598	66	90	06.15-03.22	*
1.6 (CFNA)		Gasolina	FWD	1598	77	105	07.12-06.15	*
1.6 (CWVA)		Gasolina	FWD	1598	81	110	05.15-03.22	*
1.2 LPG (CBZA)		Gasol./Gas (LPG)	FWD	1197	63	86	07.12-05.15	*
1.2 LPG (CGPC)		Gasol./Gas (LPG)	FWD	1198	55	75	07.12-06.15	*
1.4 TDI (CUSB)		Diesel	FWD	1422	66	90	05.15-12.19	*
1.6 TDI (CAYB)		Diesel	FWD	1598	66	90	08.13-05.15	*
1.6 TDI (CAYC)		Diesel	FWD	1598	77	105	07.12-12.19	*
1.6 TDI (CLNA)		Diesel	FWD	1598	77	105	07.12-12.19	*
1.6 TDI (CXMA)		Diesel	FWD	1598	85	115	05.15-12.19	*
RAPID III Spaceback (NH1) 07.12-					[CAMBIADO]:Fastback (Supermini car-B Segment)			
1.0 TSI (CHZB)		Gasolina	FWD	999	70	95	06.17-12.19	*
1.0 TSI (DKLD)		Gasolina	FWD	999	70	95	06.17-12.19	*
1.0 TSI (CHZC)		Gasolina	FWD	999	81	110	06.17-12.19	*
1.0 TSI (DKRC)		Gasolina	FWD	999	81	110	06.17-12.19	*
1.2 TSI (CBZA)		Gasolina	FWD	1197	63	86	07.12-05.15	*
1.2 TSI (CJZC)		Gasolina	FWD	1197	66	90	05.15-12.19	*
1.2 TSI (CBZB)		Gasolina	FWD	1197	77	105	07.12-05.15	*
1.2 TSI (CJZD)		Gasolina	FWD	1197	81	110	05.15-12.19	*
1.2 (CGPC)		Gasolina	FWD	1198	55	75	07.12-06.15	*
1.4 TSI (CAXA)		Gasolina	FWD	1390	90	122	07.12-06.15	*
1.4 TSI (CZCA)		Gasolina	FWD	1395	92	125	05.15-12.19	*
1.6 (CFNA)		Gasolina	FWD	1598	77	105	07.12-06.15	*
1.6 SRE (CWVA)		Gasolina	FWD	1598	81	110	05.15-12.19	*
1.2 LPG (CBZA)		Gasol./Gas (LPG)	FWD	1197	63	86	07.12-05.15	*
1.2 LPG (CGPC)		Gasol./Gas (LPG)	FWD	1198	55	75	07.12-06.15	*
1.4 TDI (CUSB)		Diesel	FWD	1422	66	90	05.15-12.19	*
1.6 TDI (CAYB)		Diesel	FWD	1598	66	90	08.13-05.15	*
1.6 TDI (CAYC)		Diesel	FWD	1598	77	105	07.12-12.19	*
1.6 TDI (CLNA)		Diesel	FWD	1598	77	105	07.12-12.19	*
1.6 TDI (CXMA)		Diesel	FWD	1598	85	115	05.15-12.19	*

LISTA DE APLICACIONES - BUYERS GUIDE

ROOMSTER / PRAKTIK (5J) 03.07-05.15					[CAMBIADO]:Furgón/Break (Large MPV-M1 Segment)			
1.2 TSI (CBZA)		Gasolina	FWD	1197	63	86	03.10-05.15	*
1.2 (BZG)		Gasolina	FWD	1198	51	70	03.07-05.15	*
1.2 (CGPA)		Gasolina	FWD	1198	51	70	03.07-05.15	*
1.4 (BXW)		Gasolina	FWD	1390	63	86	03.07-05.15	*
1.4 (CGGB)		Gasolina	FWD	1390	63	86	03.07-05.15	*
1.2 TDI (CFWA)		Diesel	FWD	1199	55	75	03.10-05.15	*
1.4 TDI (BNM)		Diesel	FWD	1422	51	70	03.07-03.10	*
1.4 TDI (BMS)		Diesel	FWD	1422	59	80	03.07-03.10	*
1.4 TDI (BNV)		Diesel	FWD	1422	59	80	03.07-03.10	*
1.6 TDI (CAYB)		Diesel	FWD	1598	66	90	03.10-05.15	*
ROOMSTER / PRAKTIK (5J7) 03.06-05.15					MPV (Large MPV-M1 Segment)			
1.2 TSI (CBZA)		Gasolina	FWD	1197	63	86	03.10-05.15	*
1.2 TSI (CBZB)		Gasolina	FWD	1197	77	105	03.10-05.15	*
1.2 (BME)		Gasolina	FWD	1198	47	64	05.06-01.07	*
1.2 (BZG)		Gasolina	FWD	1198	51	70	01.07-05.15	*
1.2 (CGPA)		Gasolina	FWD	1198	51	70	01.07-05.15	*
1.4 (BXW)		Gasolina	FWD	1390	63	86	09.06-05.15	*
1.4 (CGGB)		Gasolina	FWD	1390	63	86	09.06-05.15	*
1.6 (BTS)		Gasolina	FWD	1598	77	105	09.06-05.15	*
1.6 (CFNA)		Gasolina	FWD	1598	77	105	09.06-05.15	*
1.2 LPG (CGPA)		Gasol./Gas (LPG)	FWD	1198	51	69	03.09-05.15	*
1.4 LPG (BXW)		Gasol./Gas (LPG)	FWD	1390	63	86	03.10-05.15	*
1.4 LPG (CGGB)		Gasol./Gas (LPG)	FWD	1390	63	86	03.10-05.15	*
1.6 LPG (BTS)		Gasol./Gas (LPG)	FWD	1598	77	105	06.06-07.10	*
1.2 TDI (CFWA)		Diesel	FWD	1199	55	75	03.10-05.15	*
1.4 TDI (BNM)		Diesel	FWD	1422	51	70	07.06-03.10	*
1.4 TDI (BMS)		Diesel	FWD	1422	59	80	09.06-03.10	*
1.4 TDI (BNV)		Diesel	FWD	1422	59	80	09.06-03.10	*
1.6 TDI (CAYB)		Diesel	FWD	1598	66	90	03.10-05.15	*
1.6 TDI (CAYC)		Diesel	FWD	1598	77	105	03.10-05.15	*
1.9 TDI (AXR)		Diesel	FWD	1896	74	101	03.06-05.06	*
1.9 TDI (BLS)		Diesel	FWD	1896	77	105	09.06-03.10	*
1.9 TDI (BSW)		Diesel	FWD	1896	77	105	09.06-03.10	*
SCALA (NW1) 02.19-					[CAMBIADO]:Fastback (Compact car-C Segment)			
1.0 TSI (DKLA)		Gasolina	FWD	999	70	95	02.19-	*
1.0 TSI (DLAA)		Gasolina	FWD	999	81	110	08.20-	*
1.0 TSI (DKRF)		Gasolina	FWD	999	85	116	02.19-	*
1.5 TSI (DADA)		Gasolina	FWD	1498	110	150	02.19-	*
1.5 TSI (DPCA)		Gasolina	FWD	1498	110	150	02.19-	*
1.6 SRE		Gasolina	FWD	1598	81	110	02.19-	*
1.0 TGI CNG (DBYA)		Gasol./Gas (CNG)	FWD	999	66	90	11.19-	*
1.6 TDI		Diesel	FWD	1598	70	95	09.19-	*
1.6 TDI (DGTA)		Diesel	FWD	1598	85	116	02.19-	*
YETI (5L) 05.09-					SUV (Mini SUV-J Segment)			
1.2 TSI (CBZB)		Gasolina	FWD	1197	77	105	09.09-05.15	*
1.2 TSI (CYVB)		Gasolina	FWD	1197	81	110	05.15-12.17	*

LISTA DE APLICACIONES - BUYERS GUIDE

1.4 TSI (CAXA)		Gasolina	FWD	1390	90	122	06.10-05.15	*
1.4 TSI (CZCA)		Gasolina	FWD	1395	92	125	05.15-12.17	*
1.6 (CWVA)		Gasolina	FWD	1598	81	110	04.14-12.17	*
1.6 TDI (CAYC)		Diesel	FWD	1598	77	105	11.10-05.15	*
2.0 TDI (CFHA)		Diesel	FWD	1968	81	110	11.09-12.17	*
2.0 TDI (CLCA)		Diesel	FWD	1968	81	110	11.09-12.17	*
2.0 TDI (CUUA)		Diesel	FWD	1968	81	110	11.09-12.17	*
2.0 TDI (DFSA)		Diesel	FWD	1968	81	110	11.09-12.17	*
2.0 TDI 4x4 (CFHF)		Diesel	4WD	1968	81	110	11.09-12.17	*
2.0 TDI 4x4 (CUUA)		Diesel	4WD	1968	81	110	11.09-12.17	*
2.0 TDI 4x4 (DFSA)		Diesel	4WD	1968	81	110	11.09-12.17	*
SKODA (SVW)								
KAMIQ (0N7) 06.18-					SUV (Compact Crossover CUV-C Segment)			
1.5		Gasolina	FWD	1498	81	110	06.18-	*
1.5		Gasolina	FWD	1498	82	111	06.19-	*
KAMIQ GT (0N8) 11.19-					SUV (Compact Crossover CUV-C Segment)			
TSi230		Gasolina	FWD	1197	85	116	11.19-	*
1.5		Gasolina	FWD	1498	82	111	11.19-	*
STREETSCOOTER								
WORK 01.15-					[CAMBIADO]:Furgón (LCVs-N1 Segment)			
Elektro (B14)		Eléctrico	FWD		30	41	01.15-07.22	*
Elektro (B14)		Eléctrico	FWD		38	52	01.15-	*
Elektro (B16C, B16)		Eléctrico	FWD		39	53	05.18-07.22	*
Elektro (B14)		Eléctrico	FWD		48	65	01.15-07.22	*
WORK 01.15-					Caja/Chasis (LCVs-N1 Segment)			
Elektro (B14)		Eléctrico	FWD		15	20	02.15-07.22	*
Elektro (B14)		Eléctrico	FWD		30	41	01.15-07.22	*
Elektro (B14)		Eléctrico	FWD		38	52	01.15-	*
Elektro (B16C, B16)		Eléctrico	FWD		39	53	05.18-07.22	*
Elektro		Eléctrico	FWD		48	65	01.15-07.22	*
VW								
BEETLE (5C7, 5C8) 12.11-					Cabrio (Compact car-C Segment)			
1.2 TSI (CBZB)		Gasolina	FWD	1197	77	105	12.11-07.19	*
1.2 TSI 16V (CYVD)		Gasolina	FWD	1197	77	105	12.14-07.19	*
1.4 TSI (CAVD)		Gasolina	FWD	1390	118	160	12.11-07.16	*
1.4 TSI (CNWA)		Gasolina	FWD	1390	118	160	12.11-07.16	*
1.4 TSI (CTHD)		Gasolina	FWD	1390	118	160	12.11-07.16	*
1.4 TSI (CTKA)		Gasolina	FWD	1390	118	160	12.11-07.16	*
1.4 TSI (CZDA)		Gasolina	FWD	1395	110	150	12.14-09.18	*
1.8 TSI		Gasolina	FWD	1798	125	170	12.13-	*
2.0 TFSI (CBFA)		Gasolina	FWD	1984	147	200	12.11-07.16	*
2.0 TFSI (CCTA)		Gasolina	FWD	1984	147	200	12.11-07.16	*
2.0 TFSI (CCZA)		Gasolina	FWD	1984	147	200	12.11-07.16	*
2.0 TSI (CPLA)		Gasolina	FWD	1984	155	210	12.12-07.19	*
2.0 TSI (CPPA)		Gasolina	FWD	1984	155	210	12.12-07.19	*
2.0 TSI (CULC)		Gasolina	FWD	1984	162	220	12.14-09.18	*
2.5 (CBTA)		Gasolina	FWD	2480	125	170	12.11-07.16	*
2.5 (CBUA)		Gasolina	FWD	2480	125	170	12.11-07.16	*
2.5 (CCCA)		Gasolina	FWD	2480	125	170	12.11-07.16	*

LISTA DE APLICACIONES - BUYERS GUIDE

1.6 TDI (CAYC)		Diesel	FWD	1598	77	105	12.11-07.16	*	
2.0 TDI (CUUA)		Diesel	FWD	1968	81	110	06.14-09.18	*	
2.0 TDI (CFFB)		Diesel	FWD	1968	103	140	04.12-07.16	*	
2.0 TDI (CJAA)		Diesel	FWD	1968	103	140	04.12-07.16	*	
2.0 TDI (CUUB)		Diesel	FWD	1968	110	150	09.14-09.18	*	
2.0 TDI (CVCA)		Diesel	FWD	1968	110	150	09.14-09.18	*	
2.0 TDI (DELA)		Diesel	FWD	1968	110	150	09.14-09.18	*	
BEETLE / NOVO FUSCA (5C1, 5C2) 04.11-							[CAMBIADO]:Fastback (Compact car-C Segment)		
1.2 TSI (CBZB)		Gasolina	FWD	1197	77	105	07.11-07.19	*	
1.2 TSI 16V (CYVD)		Gasolina	FWD	1197	77	105	12.14-07.19	*	
1.4 TSI (CAVD)		Gasolina	FWD	1390	118	160	10.11-07.16	*	
1.4 TSI (CNWA)		Gasolina	FWD	1390	118	160	10.11-07.16	*	
1.4 TSI (CTHD)		Gasolina	FWD	1390	118	160	10.11-07.16	*	
1.4 TSI (CTKA)		Gasolina	FWD	1390	118	160	10.11-07.16	*	
1.4 TSI (CZDA)		Gasolina	FWD	1395	110	150	12.14-07.19	*	
2.5 (CBTA)		Gasolina	FWD	2480	125	170	04.11-07.19	*	
2.5 (CBUA)		Gasolina	FWD	2480	125	170	04.11-07.19	*	
2.5 (CCCA)		Gasolina	FWD	2480	125	170	04.11-07.19	*	
1.6 TDI (CAYC)		Diesel	FWD	1598	77	105	10.11-07.16	*	
2.0 TDI (CUUA)		Diesel	FWD	1968	81	110	06.14-09.18	*	
2.0 TDI (CFFB)		Diesel	FWD	1968	103	140	04.11-07.16	*	
2.0 TDI (CJAA)		Diesel	FWD	1968	103	140	04.11-07.16	*	
2.0 TDI (CUUB)		Diesel	FWD	1968	110	150	07.14-09.18	*	
2.0 TDI (CVCA)		Diesel	FWD	1968	110	150	07.14-09.18	*	
2.0 TDI (DELA)		Diesel	FWD	1968	110	150	07.14-09.18	*	
BORA / JETTA IV (1J2) 10.98-12.13							Sedán (Compact car-C Segment)		
1.4 16V (AHW)		Gasolina	FWD	1390	55	75	03.00-05.05	*	
1.4 16V (AKQ)		Gasolina	FWD	1390	55	75	03.00-05.05	*	
1.4 16V (APE)		Gasolina	FWD	1390	55	75	03.00-05.05	*	
1.4 16V (AXP)		Gasolina	FWD	1390	55	75	03.00-05.05	*	
1.4 16V (BCA)		Gasolina	FWD	1390	55	75	03.00-05.05	*	
1.6 (AEH)		Gasolina	FWD	1595	74	101	10.98-05.05	*	
1.6 (AKL)		Gasolina	FWD	1595	74	101	10.98-05.05	*	
1.6 (APF)		Gasolina	FWD	1595	74	101	10.98-05.05	*	
1.6 (AVU)		Gasolina	FWD	1595	75	102	08.00-05.05	*	
1.6 (BFQ)		Gasolina	FWD	1595	75	102	08.00-05.05	*	
1.6 16V (ATN)		Gasolina	FWD	1598	77	105	05.00-05.05	*	
1.6 16V (AUS)		Gasolina	FWD	1598	77	105	05.00-05.05	*	
1.6 16V (AZD)		Gasolina	FWD	1598	77	105	05.00-05.05	*	
1.6 16V (BCB)		Gasolina	FWD	1598	77	105	05.00-05.05	*	
1.6 FSI (BAD)		Gasolina	FWD	1598	81	110	01.02-05.05	*	
1.8 (AGN)		Gasolina	FWD	1781	92	125	10.98-05.05	*	
1.8 (BAF)		Gasolina	FWD	1781	92	125	10.98-05.05	*	
1.8 4motion (AGN)		Gasolina	4WD	1781	92	125	02.99-05.05	*	
2.0 (AEG)		Gasolina	FWD	1984	85	115	10.98-12.13	*	
2.0 (APK)		Gasolina	FWD	1984	85	115	10.98-12.13	*	
2.0 (AQY)		Gasolina	FWD	1984	85	115	10.98-12.13	*	
2.0 (AVH)		Gasolina	FWD	1984	85	115	10.98-12.13	*	
2.0 (AZG)		Gasolina	FWD	1984	85	115	10.98-12.13	*	
2.0 (AZH)		Gasolina	FWD	1984	85	115	10.98-12.13	*	

LISTA DE APLICACIONES - BUYERS GUIDE

2.0 (AZJ)		Gasolina	FWD	1984	85	115	10.98-12.13	*
2.0 (BBW)		Gasolina	FWD	1984	85	115	10.98-12.13	*
2.0 (BER)		Gasolina	FWD	1984	85	115	10.98-12.13	*
2.0 (BEV)		Gasolina	FWD	1984	85	115	10.98-12.13	*
2.0 (BHP)		Gasolina	FWD	1984	85	115	10.98-12.13	*
2.0 (CBPA)		Gasolina	FWD	1984	85	115	10.98-12.13	*
2.0 (CFEA)		Gasolina	FWD	1984	85	115	10.98-12.13	*
2.0 (CBPA)		Gasolina	FWD	1984	85	116	01.05-12.14	*
2.0 4motion (AZH)		Gasolina	4WD	1984	85	115	04.00-05.05	*
2.0 4motion (AZJ)		Gasolina	4WD	1984	85	115	04.00-05.05	*
1.9 SDI (AGP)		Diesel	FWD	1896	50	68	10.98-05.05	*
1.9 SDI (AQM)		Diesel	FWD	1896	50	68	10.98-05.05	*
1.9 TDI (AGR)		Diesel	FWD	1896	66	90	10.98-05.05	*
1.9 TDI (ALH)		Diesel	FWD	1896	66	90	10.98-05.05	*
1.9 TDI 4motion (AGR)		Diesel	4WD	1896	66	90	11.98-04.02	*
1.9 TDI (ATD)		Diesel	FWD	1896	74	101	09.00-05.05	*
1.9 TDI (AXR)		Diesel	FWD	1896	74	101	09.00-05.05	*
1.9 TDI (BEW)		Diesel	FWD	1896	74	101	09.00-05.05	*
1.9 TDI 4motion (ATD)		Diesel	4WD	1896	74	101	09.00-05.05	*
1.9 TDI (AHF)		Diesel	FWD	1896	81	110	10.98-06.01	*
1.9 TDI (ASV)		Diesel	FWD	1896	81	110	10.98-06.01	*
1.9 TDI (AJM)		Diesel	FWD	1896	85	115	12.98-01.02	*
1.9 TDI (AUJ)		Diesel	FWD	1896	85	115	12.98-01.02	*
1.9 TDI 4motion (AJM)		Diesel	4WD	1896	85	115	02.99-06.01	*
1.9 TDI 4motion (AUJ)		Diesel	4WD	1896	85	115	02.99-06.01	*
1.9 TDI 4motion (ASZ)		Diesel	4WD	1896	96	130	11.00-05.05	*
BORA Variant / JETTA IV (1J6) 05.99-05.05							[CAMBIADO]:Break (Compact car-C Segment)	
1.4 16V (AHW)		Gasolina	FWD	1390	55	75	09.01-05.05	*
1.4 16V (AXP)		Gasolina	FWD	1390	55	75	09.01-05.05	*
1.4 16V (BCA)		Gasolina	FWD	1390	55	75	09.01-05.05	*
1.6 (AEH)		Gasolina	FWD	1595	74	100	05.99-05.05	*
1.6 (AKL)		Gasolina	FWD	1595	74	100	05.99-05.05	*
1.6 (APF)		Gasolina	FWD	1595	74	100	05.99-05.05	*
1.6 (AVU)		Gasolina	FWD	1595	75	102	08.00-05.05	*
1.6 (BFQ)		Gasolina	FWD	1595	75	102	08.00-05.05	*
1.6 16V (ATN)		Gasolina	FWD	1598	77	105	02.00-05.05	*
1.6 16V (AUS)		Gasolina	FWD	1598	77	105	02.00-05.05	*
1.6 16V (AZD)		Gasolina	FWD	1598	77	105	02.00-05.05	*
1.6 16V (BCB)		Gasolina	FWD	1598	77	105	02.00-05.05	*
1.6 FSI (BAD)		Gasolina	FWD	1598	81	110	01.02-05.05	*
1.8 4motion (AGN)		Gasolina	4WD	1781	92	125	05.99-05.05	*
2.0 (APK)		Gasolina	FWD	1984	85	115	05.99-05.05	*
2.0 (AQY)		Gasolina	FWD	1984	85	115	05.99-05.05	*
2.0 (AVH)		Gasolina	FWD	1984	85	115	05.99-05.05	*
2.0 (AZG)		Gasolina	FWD	1984	85	115	05.99-05.05	*
2.0 (AZH)		Gasolina	FWD	1984	85	115	05.99-05.05	*
2.0 (AZJ)		Gasolina	FWD	1984	85	115	05.99-05.05	*
2.0 (BEV)		Gasolina	FWD	1984	85	115	05.99-05.05	*
2.0 4motion (AZH)		Gasolina	4WD	1984	85	115	04.00-05.05	*
2.0 4motion (AZJ)		Gasolina	4WD	1984	85	115	04.00-05.05	*
2.0 4motion (ATF)		Gasolina	4WD	1984	88	120	12.99-05.03	*

LISTA DE APLICACIONES - BUYERS GUIDE

1.9 TDI (AGR)		Diesel	FWD	1896	66	90	07.04-05.05	*	
1.9 TDI (ALH)		Diesel	FWD	1896	66	90	07.04-05.05	*	
1.9 TDI (ATD)		Diesel	FWD	1896	74	101	09.00-05.05	*	
1.9 TDI (AXR)		Diesel	FWD	1896	74	101	09.00-05.05	*	
1.9 TDI (BEW)		Diesel	FWD	1896	74	101	09.00-05.05	*	
1.9 TDI 4motion (ATD)		Diesel	4WD	1896	74	101	09.00-05.05	*	
1.9 TDI (AHF)		Diesel	FWD	1896	81	110	05.99-06.01	*	
1.9 TDI (ASV)		Diesel	FWD	1896	81	110	05.99-06.01	*	
1.9 TDI (AJM)		Diesel	FWD	1896	85	115	05.99-06.01	*	
1.9 TDI (AUY)		Diesel	FWD	1896	85	115	05.99-06.01	*	
1.9 TDI 4motion (AJM)		Diesel	4WD	1896	85	115	05.99-06.01	*	
1.9 TDI 4motion (AUY)		Diesel	4WD	1896	85	115	05.99-06.01	*	
CADDY III (2KA, 2KH, 2CA, 2CH) 03.04-03.16							Furgoneta/MPV (LCVs-N1 Segment)		
1.2 TSI (CBZA)		Gasolina	FWD	1197	63	86	09.10-05.15	*	
1.2 TSI (CBZB)		Gasolina	FWD	1197	77	105	09.10-05.15	*	
1.4 (BCA)		Gasolina	FWD	1390	55	75	03.04-05.06	*	
1.4 (BUD)		Gasolina	FWD	1390	59	80	05.06-08.10	*	
1.6 (BGU)		Gasolina	FWD	1595	75	102	04.04-05.15	*	
1.6 (BSE)		Gasolina	FWD	1595	75	102	04.04-05.15	*	
1.6 (BSF)		Gasolina	FWD	1595	75	102	04.04-05.15	*	
1.6 BiFuel (CHGA)		Gasol./Gas (LPG)	FWD	1595	75	102	05.11-05.15	*	
1.6 TDI (CAYE)		Diesel	FWD	1598	55	75	08.10-05.15	*	
1.6 TDI (CAYD)		Diesel	FWD	1598	75	102	08.10-05.15	*	
1.9 TDI (BSU)		Diesel	FWD	1896	55	75	09.05-08.10	*	
1.9 TDI (BJB)		Diesel	FWD	1896	77	105	04.04-08.10	*	
1.9 TDI (BLS)		Diesel	FWD	1896	77	105	04.04-08.10	*	
1.9 TDI 4motion (BLS)		Diesel	4WD	1896	77	105	11.08-08.10	*	
2.0 SDI (BDJ)		Diesel	FWD	1968	51	70	03.04-08.10	*	
2.0 SDI (BST)		Diesel	FWD	1968	51	70	03.04-08.10	*	
2.0 TDI (CFHE)		Diesel	FWD	1968	62	85	11.10-05.15	*	
2.0 TDI 4motion (CFHE)		Diesel	4WD	1968	62	85	12.10-05.15	*	
2.0 TDI (CLCA)		Diesel	FWD	1968	81	110	08.10-05.15	*	
2.0 TDI 4motion (CFHF)		Diesel	4WD	1968	81	110	08.10-05.15	*	
2.0 TDI (BMM)		Diesel	FWD	1968	103	140	09.07-08.10	*	
2.0 TDI 16V (CFHC)		Diesel	FWD	1968	103	140	11.10-05.15	*	
2.0 TDI 16V (CLCB)		Diesel	FWD	1968	103	140	11.10-05.15	*	
2.0 TDI 16V 4motion (CFHC)		Diesel	4WD	1968	103	140	11.10-05.15	*	
2.0 TDI (CFJA)		Diesel	FWD	1968	125	170	05.12-05.15	*	
2.0 EcoFuel (BSX)		CNG	FWD	1984	80	109	04.06-05.15	*	
CADDY III (2KB, 2KJ, 2CB, 2CJ) 03.04-03.16							MPV (Mini MPV-M1 Segment)		
1.2 TSI (CBZA)		Gasolina	FWD	1197	63	86	09.10-05.15	*	
1.2 TSI (CBZB)		Gasolina	FWD	1197	77	105	09.10-05.15	*	
1.4 (BCA)		Gasolina	FWD	1390	55	75	03.04-05.06	*	
1.4 (BUD)		Gasolina	FWD	1390	59	80	05.06-08.10	*	
1.6 (BGU)		Gasolina	FWD	1595	75	102	04.04-05.15	*	
1.6 (BSE)		Gasolina	FWD	1595	75	102	04.04-05.15	*	
1.6 (BSF)		Gasolina	FWD	1595	75	102	04.04-05.15	*	
1.6 BiFuel (CHGA)		Gasol./Gas (LPG)	FWD	1595	75	102	05.11-05.15	*	
1.6 TDI (CAYE)		Diesel	FWD	1598	55	75	08.10-05.15	*	
1.6 TDI (CAYD)		Diesel	FWD	1598	75	102	08.10-05.15	*	

LISTA DE APLICACIONES - BUYERS GUIDE

1.9 D		Diesel	FWD	1896	48	65	10.05-06.09	*	
1.9 TDI (BSU)		Diesel	FWD	1896	55	75	09.05-08.10	*	
1.9 TDI (BJB)		Diesel	FWD	1896	77	105	04.04-08.10	*	
1.9 TDI (BLS)		Diesel	FWD	1896	77	105	04.04-08.10	*	
1.9 TDI 4motion (BLS)		Diesel	4WD	1896	77	105	05.08-08.10	*	
2.0 SDI (BDJ)		Diesel	FWD	1968	51	70	03.04-08.10	*	
2.0 SDI (BST)		Diesel	FWD	1968	51	70	03.04-08.10	*	
2.0 TDI (CLCA)		Diesel	FWD	1968	81	110	08.10-05.15	*	
2.0 TDI 4motion (CFHF)		Diesel	4WD	1968	81	110	08.10-05.15	*	
2.0 TDI (BMM)		Diesel	FWD	1968	103	140	09.07-08.10	*	
2.0 TDI 16V (CFHC)		Diesel	FWD	1968	103	140	11.10-05.15	*	
2.0 TDI 16V (CLCB)		Diesel	FWD	1968	103	140	11.10-05.15	*	
2.0 TDI 16V 4motion (CFHC)		Diesel	4WD	1968	103	140	11.10-05.15	*	
2.0 TDI (CFJA)		Diesel	FWD	1968	125	170	05.12-05.15	*	
2.0 EcoFuel (BSX)		CNG	FWD	1984	80	109	04.06-05.15	*	
FOX II (5Z1, 5Z3, 5Z4, 5Z5) 08.03-							[CAMBIADO]:Fastback (City car-A Segment)		
1.0		Gasolina	FWD	999	52	71	10.03-	*	
1.0		Gasolina	FWD	999	53	72	08.03-12.09	*	
1.0		Gasolina	FWD	999	54	73	04.08-12.09	*	
1.2 (BMD)		Gasolina	FWD	1198	40	55	04.05-07.11	*	
1.2 (CHFB)		Gasolina	FWD	1198	40	55	04.05-07.11	*	
1.2 (CHFA)		Gasolina	FWD	1198	44	60	09.10-12.11	*	
1.4 (BKR)		Gasolina	FWD	1390	55	75	04.05-12.09	*	
1.6		Gasolina	FWD	1598	73	99	01.05-	*	
1.6 (BAH)		Gasolina	FWD	1598	74	101	10.03-10.21	*	
1.6 (BJA)		Gasolina	FWD	1598	74	101	10.03-10.21	*	
1.6 (BLH)		Gasolina	FWD	1598	74	101	10.03-10.21	*	
1.6 (BPA)		Gasolina	FWD	1598	74	101	10.03-10.21	*	
1.6 (CFZA)		Gasolina	FWD	1598	74	101	10.03-10.21	*	
1.6 Alcohol		Gasolina	FWD	1598	76	103	10.03-	*	
1.6		Gasolina	FWD	1599	69	94	10.03-	*	
1.6		Gasolina	FWD	1599	81	110	10.15-	*	
1.0 TotalFlex		Gasol./Metanol	FWD	999	52	71	08.03-12.09	*	
1.0 TotalFlex		Gasol./Etanol	FWD	999	53	72	08.03-12.09	*	
1.0 City Total Flex		Gasol./Etanol	FWD	999	54	73	05.05-10.14	*	
1.0 TotalFlex		Gasol./Etanol	FWD	999	56	76	05.05-12.15	*	
1.0 TotalFlex		Gasol./Etanol	FWD	999	60	82	07.13-12.17	*	
1.6 TotalFlex (BPA)		Gasol./Etanol	FWD	1598	73	98	09.07-12.09	*	
1.6 TotalFlex (BJA)		Gasol./Etanol	FWD	1598	74	101	10.03-08.14	*	
1.6 TotalFlex (BPA)		Gasol./Etanol	FWD	1598	74	101	10.03-08.14	*	
1.6 TotalFlex (CCRA)		Gasol./Etanol	FWD	1598	74	101	10.03-08.14	*	
1.6 TotalFlex (BJA)		Gasol./Etanol	FWD	1598	77	105	10.03-10.21	*	
1.6 TotalFlex (BPA)		Gasol./Etanol	FWD	1598	77	105	10.03-10.21	*	
1.4 TDI (BNM)		Diesel	FWD	1422	51	70	04.05-12.09	*	
1.9 D		Diesel	FWD	1896	47	64	12.07-12.09	*	

LISTA DE APLICACIONES - BUYERS GUIDE

FOX II (5Z1) 09.10-12.11					Furgón/hatchback (City car-A Segment)			
1.2 (CHFA)		Gasolina	FWD	1198	44	60	09.10-12.11	*
GOLF IV (1J1) 08.97-04.08					[CAMBIADO]:Fastback (Compact car-C Segment)			
1.4 16V (AHW)		Gasolina	FWD	1390	55	75	10.97-05.04	*
1.4 16V (AKQ)		Gasolina	FWD	1390	55	75	10.97-05.04	*
1.4 16V (APE)		Gasolina	FWD	1390	55	75	10.97-05.04	*
1.4 16V (AXP)		Gasolina	FWD	1390	55	75	10.97-05.04	*
1.4 16V (BCA)		Gasolina	FWD	1390	55	75	10.97-05.04	*
1.6 (AEH)		Gasolina	FWD	1595	74	100	08.97-05.04	*
1.6 (AKL)		Gasolina	FWD	1595	74	100	08.97-05.04	*
1.6 (APF)		Gasolina	FWD	1595	74	100	08.97-05.04	*
1.6 (BAH)		Gasolina	FWD	1598	74	101	02.01-03.07	*
1.6 FSI (BAD)		Gasolina	FWD	1598	81	110	01.02-06.05	*
1.8		Gasolina	FWD	1781	66	90	10.97-09.99	*
1.8		Gasolina	FWD	1781	77	105	04.98-05.02	*
1.8 (AGN)		Gasolina	FWD	1781	92	125	08.97-06.05	*
1.8 4motion (AGN)		Gasolina	4WD	1781	92	125	05.98-06.05	*
2.0 (AEG)		Gasolina	FWD	1984	85	115	07.98-05.04	*
2.0 (APK)		Gasolina	FWD	1984	85	115	07.98-05.04	*
2.0 (AQY)		Gasolina	FWD	1984	85	115	07.98-05.04	*
2.0 (AVH)		Gasolina	FWD	1984	85	115	07.98-05.04	*
2.0 (AZG)		Gasolina	FWD	1984	85	115	07.98-05.04	*
2.0 (AZJ)		Gasolina	FWD	1984	85	115	07.98-05.04	*
2.0 (BER)		Gasolina	FWD	1984	85	115	07.98-05.04	*
2.0 (BEV)		Gasolina	FWD	1984	85	115	07.98-05.04	*
2.0 4motion (AZH)		Gasolina	4WD	1984	85	115	10.00-06.05	*
2.0 4motion (AZJ)		Gasolina	4WD	1984	85	115	10.00-06.05	*
2.0 BiFuel (BEH)		Gasol./Gas (CNG)	FWD	1984	85	116	05.02-05.03	*
1.9 SDI (AGP)		Diesel	FWD	1896	50	68	08.97-06.05	*
1.9 SDI (AQM)		Diesel	FWD	1896	50	68	08.97-06.05	*
1.9 TD		Diesel	FWD	1896	55	75	10.97-09.99	*
1.9 TDI (AGR)		Diesel	FWD	1896	66	90	10.97-05.04	*
1.9 TDI (ALH)		Diesel	FWD	1896	66	90	10.97-05.04	*
1.9 TDI 4motion (AGR)		Diesel	4WD	1896	66	90	07.98-04.02	*
1.9 TDI (ATD)		Diesel	FWD	1896	74	101	09.00-06.05	*
1.9 TDI (AXR)		Diesel	FWD	1896	74	101	09.00-06.05	*
1.9 TDI (BEW)		Diesel	FWD	1896	74	101	09.00-06.05	*
1.9 TDI 4motion (ATD)		Diesel	4WD	1896	74	101	09.00-06.05	*
1.9 TDI (AHF)		Diesel	FWD	1896	81	110	08.97-05.04	*
1.9 TDI (ASV)		Diesel	FWD	1896	81	110	08.97-05.04	*
1.9 TDI (AJM)		Diesel	FWD	1896	85	115	12.98-06.01	*
1.9 TDI (AUY)		Diesel	FWD	1896	85	115	12.98-06.01	*
1.9 TDI 4motion (AJM)		Diesel	4WD	1896	85	115	09.99-06.01	*
1.9 TDI 4motion (AUY)		Diesel	4WD	1896	85	115	09.99-06.01	*
GOLF IV VAN Variant / JETTA IV (1J5) 05.99-06.06					[CAMBIADO]:Furgón/Break (Compact car-C Segment)			
1.4 (AXP)		Gasolina	FWD	1390	55	75	05.00-06.06	*
1.4 (BCA)		Gasolina	FWD	1390	55	75	05.00-06.06	*
1.6 (AUS)		Gasolina	FWD	1598	77	105	05.00-06.06	*
1.6 (AZD)		Gasolina	FWD	1598	77	105	05.00-06.06	*

LISTA DE APLICACIONES - BUYERS GUIDE

1.6 (BCB)		Gasolina	FWD	1598	77	105	05.00-06.06	*	
1.9 SDI (AQM)		Diesel	FWD	1896	50	68	05.99-05.06	*	
1.9 TDI (AGR)		Diesel	FWD	1896	66	90	05.99-05.06	*	
1.9 TDI (ALH)		Diesel	FWD	1896	66	90	05.99-05.06	*	
1.9 TDI (ATD)		Diesel	FWD	1896	74	101	02.00-06.06	*	
1.9 TDI (AXR)		Diesel	FWD	1896	74	101	02.00-06.06	*	
1.9 TDI (AHF)		Diesel	FWD	1896	81	110	05.99-05.06	*	
1.9 TDI (ASV)		Diesel	FWD	1896	81	110	05.99-05.06	*	
1.9 TDI (AJM)		Diesel	FWD	1896	85	116	05.99-04.02	*	
GOLF IV Variant / JETTA IV (1J5) 05.99-06.06							[CAMBIADO]:Break (Compact car-C Segment)		
1.4 16V (AHW)		Gasolina	FWD	1390	55	75	05.99-06.06	*	
1.4 16V (AKQ)		Gasolina	FWD	1390	55	75	05.99-06.06	*	
1.4 16V (APE)		Gasolina	FWD	1390	55	75	05.99-06.06	*	
1.4 16V (AXP)		Gasolina	FWD	1390	55	75	05.99-06.06	*	
1.4 16V (BCA)		Gasolina	FWD	1390	55	75	05.99-06.06	*	
1.6 (AEH)		Gasolina	FWD	1595	74	101	05.99-04.02	*	
1.6 (AKL)		Gasolina	FWD	1595	74	101	05.99-04.02	*	
1.6 (APF)		Gasolina	FWD	1595	74	101	05.99-04.02	*	
1.6 (AVU)		Gasolina	FWD	1595	75	102	08.00-06.06	*	
1.6 (BFQ)		Gasolina	FWD	1595	75	102	08.00-06.06	*	
1.6 16V (ATN)		Gasolina	FWD	1598	77	105	02.00-06.06	*	
1.6 16V (AUS)		Gasolina	FWD	1598	77	105	02.00-06.06	*	
1.6 16V (AZD)		Gasolina	FWD	1598	77	105	02.00-06.06	*	
1.6 16V (BCB)		Gasolina	FWD	1598	77	105	02.00-06.06	*	
1.6 FSI (BAD)		Gasolina	FWD	1598	81	110	01.02-06.06	*	
1.8 4motion (AGN)		Gasolina	4WD	1781	92	125	05.99-06.06	*	
2.0 (APK)		Gasolina	FWD	1984	85	115	05.99-06.06	*	
2.0 (AQY)		Gasolina	FWD	1984	85	115	05.99-06.06	*	
2.0 (AZJ)		Gasolina	FWD	1984	85	115	05.99-06.06	*	
2.0 4motion (AZH)		Gasolina	4WD	1984	85	115	10.00-06.06	*	
2.0 4motion (AZJ)		Gasolina	4WD	1984	85	115	10.00-06.06	*	
2.0 Bi-Fuel (BEH)		Gasol./Gas (CNG)	FWD	1984	85	116	02.02-06.06	*	
1.9 SDI (AGP)		Diesel	FWD	1896	50	68	05.99-06.06	*	
1.9 SDI (AQM)		Diesel	FWD	1896	50	68	05.99-06.06	*	
1.9 TDI (AGR)		Diesel	FWD	1896	66	90	05.99-05.06	*	
1.9 TDI (ALH)		Diesel	FWD	1896	66	90	05.99-05.06	*	
1.9 TDI 4motion (AGR)		Diesel	4WD	1896	66	90	05.99-04.02	*	
1.9 TDI (ATD)		Diesel	FWD	1896	74	101	09.00-06.06	*	
1.9 TDI (AXR)		Diesel	FWD	1896	74	101	09.00-06.06	*	
1.9 TDI 4motion (ATD)		Diesel	4WD	1896	74	101	09.00-06.06	*	
1.9 TDI (AHF)		Diesel	FWD	1896	81	110	05.99-06.01	*	
1.9 TDI (ASV)		Diesel	FWD	1896	81	110	05.99-06.01	*	
1.9 TDI (AJM)		Diesel	FWD	1896	85	115	08.99-06.01	*	
1.9 TDI (AUJ)		Diesel	FWD	1896	85	115	08.99-06.01	*	
1.9 TDI 4motion (AJM)		Diesel	4WD	1896	85	115	12.99-04.01	*	
1.9 TDI 4motion (ARL)		Diesel	4WD	1896	110	150	05.02-06.05	*	
GOLF V / RABBIT V (1K1) 10.03-07.10							[CAMBIADO]:Fastback (Compact car-C Segment)		
1.4 16V (BCA)		Gasolina	FWD	1390	55	75	10.03-05.06	*	
1.4 16V (BUD)		Gasolina	FWD	1390	59	80	05.06-11.08	*	

LISTA DE APLICACIONES - BUYERS GUIDE

1.4 FSI (BKG)		Gasolina	FWD	1390	66	90	10.03-07.06	*
1.4 FSI (BLN)		Gasolina	FWD	1390	66	90	10.03-07.06	*
1.6 (BGU)		Gasolina	FWD	1595	75	102	01.04-11.08	*
1.6 (BSE)		Gasolina	FWD	1595	75	102	01.04-11.08	*
1.6 (BSF)		Gasolina	FWD	1595	75	102	01.04-11.08	*
1.6 (CCSA)		Gasolina	FWD	1595	75	102	01.04-11.08	*
1.6 FSI (BAG)		Gasolina	FWD	1598	85	115	10.03-07.08	*
1.6 FSI (BLF)		Gasolina	FWD	1598	85	115	10.03-07.08	*
1.6 FSI (BLP)		Gasolina	FWD	1598	85	115	10.03-07.08	*
1.6 MultiFuel (CCSA)		Gasol./Etanol	FWD	1595	75	102	10.07-11.08	*
1.9 TDI (BRU)		Diesel	FWD	1896	66	90	05.04-11.08	*
1.9 TDI (BXF)		Diesel	FWD	1896	66	90	05.04-11.08	*
1.9 TDI (BXJ)		Diesel	FWD	1896	66	90	05.04-11.08	*
1.9 TDI (BKC)		Diesel	FWD	1896	77	105	10.03-11.08	*
1.9 TDI (BLS)		Diesel	FWD	1896	77	105	10.03-11.08	*
1.9 TDI (BXE)		Diesel	FWD	1896	77	105	10.03-11.08	*
2.0 SDI (BDK)		Diesel	FWD	1968	55	75	01.04-11.08	*
GOLF V / RABBIT V (1K1) 07.03-							Furgón/hatchback ()	
TDI		Diesel	FWD	1896	77	105	11.03-02.06	*
GOLF V Variant / BORA V / JETTA V / VENTO V (1K5) 01.07-07.09							[CAMBIADO]:Break (Compact car-C Segment)	
1.4 (BUD)		Gasolina	FWD	1390	59	80	06.07-07.09	*
1.6 (BSE)		Gasolina	FWD	1595	75	102	06.07-07.09	*
1.6 (BSF)		Gasolina	FWD	1595	75	102	06.07-07.09	*
1.6 (CCSA)		Gasolina	FWD	1595	75	102	06.07-07.09	*
1.6 MultiFuel (CCSA)		Gasol./Etanol	FWD	1595	75	102	11.07-07.09	*
1.9 TDI (BLS)		Diesel	FWD	1896	77	105	06.07-07.09	*
1.9 TDI (BXE)		Diesel	FWD	1896	77	105	06.07-07.09	*
GOLF VI / JETTA VI (5K1) 10.08-12.14							[CAMBIADO]:Fastback (Compact car-C Segment)	
1.2 TSI (CBZA)		Gasolina	FWD	1197	63	86	05.10-11.12	*
1.2 TSI (CBZB)		Gasolina	FWD	1197	77	105	11.08-11.12	*
1.4 (CGGA)		Gasolina	FWD	1390	59	80	10.08-11.12	*
1.4 TSI (CAXA)		Gasolina	FWD	1390	90	122	10.08-11.12	*
1.4 TSI (CAVD)		Gasolina	FWD	1390	118	160	10.08-11.12	*
1.4 TSI (CNWA)		Gasolina	FWD	1390	118	160	10.08-11.12	*
1.4 TSI (CTHD)		Gasolina	FWD	1390	118	160	10.08-11.12	*
1.6 (BSE)		Gasolina	FWD	1595	75	102	10.08-11.12	*
1.6 (BSF)		Gasolina	FWD	1595	75	102	10.08-11.12	*
1.6 (CCSA)		Gasolina	FWD	1595	75	102	10.08-11.12	*
1.6 (CMXA)		Gasolina	FWD	1595	75	102	10.08-11.12	*
1.8 TSI (CDAA)		Gasolina	FWD	1798	118	160	06.09-01.11	*
2.0 Flex		Gasolina	FWD	1984	88	120	10.08-	*
2.0 GTI (CBFA)		Gasolina	FWD	1984	147	200	06.09-11.13	*
2.0 GTI (CCTA)		Gasolina	FWD	1984	147	200	06.09-11.13	*
2.0 GTI (CCZA)		Gasolina	FWD	1984	147	200	06.09-11.13	*
2.0 GTI (CCZB)		Gasolina	FWD	1984	155	210	04.09-11.12	*
2.0 GTI (CDLG)		Gasolina	FWD	1984	173	235	05.11-11.12	*
2.0 R 4motion (CDLC)		Gasolina	4WD	1984	188	256	11.09-11.13	*
2.0 R 4motion (CRZA)		Gasolina	4WD	1984	188	256	11.09-11.13	*
2.0 R 4motion (CDLA)		Gasolina	4WD	1984	195	265	11.09-05.11	*

LISTA DE APLICACIONES - BUYERS GUIDE

2.0 R 4motion (CDLF)		Gasolina	4WD	1984	199	270	11.09-11.12	*
2.5 (CBTA)		Gasolina	FWD	2480	125	170	07.09-05.13	*
2.5 (CBUA)		Gasolina	FWD	2480	125	170	07.09-05.13	*
1.6 BiFuel (CHGA)		Gasol./Gas (LPG)	FWD	1595	75	102	03.09-11.12	*
1.6 MultiFuel (CCSA)		Gasol./Etanol	FWD	1595	75	102	10.08-11.12	*
1.6 MultiFuel (CMXA)		Gasol./Etanol	FWD	1595	75	102	10.08-11.12	*
Blue E-Motion (EAA)		Eléctrico	FWD		65	88	12.10-11.13	*
1.6 TDI (CAYB)		Diesel	FWD	1598	66	90	02.09-11.12	*
1.6 TDI (CAYC)		Diesel	FWD	1598	77	105	02.09-11.12	*
2.0 TDI (CBDC)		Diesel	FWD	1968	81	110	10.08-11.12	*
2.0 TDI (CLCA)		Diesel	FWD	1968	81	110	10.08-11.12	*
2.0 TDI (CBAA)		Diesel	FWD	1968	100	136	10.08-11.12	*
2.0 TDI (CFFA)		Diesel	FWD	1968	100	136	10.08-11.12	*
2.0 TDI (CBAB)		Diesel	FWD	1968	103	140	10.08-05.13	*
2.0 TDI (CFFB)		Diesel	FWD	1968	103	140	10.08-05.13	*
2.0 TDI (CJAA)		Diesel	FWD	1968	103	140	10.08-05.13	*
2.0 TDI 4motion (CBAB)		Diesel	4WD	1968	103	140	05.09-11.12	*
2.0 TDI 4motion (CFFB)		Diesel	4WD	1968	103	140	05.09-11.12	*
2.0 TDI (CBBB)		Diesel	FWD	1968	125	170	04.09-11.12	*
2.0 TDI (CFGB)		Diesel	FWD	1968	125	170	04.09-11.12	*
GOLF VI / JETTA VI (5K1) 10.08-11.12						Furgón/hatchback (Compact car-C Segment)		
1.2 TSI (CBZA)		Gasolina	FWD	1197	63	86	05.10-11.12	*
1.2 TSI (CBZB)		Gasolina	FWD	1197	77	105	05.09-11.12	*
1.2 TSI (CBZB)		Gasolina	FWD	1197	77	105	11.09-08.14	*
1.4 TSI (CAXA)		Gasolina	FWD	1390	90	122	01.09-08.14	*
TSi (CAXA)		Gasolina	FWD	1390	90	122	10.08-11.12	*
1.4 TSI (CAVD)		Gasolina	FWD	1390	118	160	10.08-11.12	*
1.4 TSI (CAVD)		Gasolina	FWD	1390	118	160	01.09-09.12	*
2.0 GTI (CCZB)		Gasolina	FWD	1984	155	211	02.09-11.12	*
2.0 TSi R 4motion (CDLF)		Gasolina	4WD	1984	199	271	11.09-11.12	*
1.6 TDI (CAYB)		Diesel	FWD	1598	66	90	02.09-11.12	*
1.6 TDI (CAYB)		Diesel	FWD	1598	66	90	02.09-08.14	*
1.6 TDI (CAYC)		Diesel	FWD	1598	77	105	05.09-11.12	*
1.6 TDI (CAYC)		Diesel	FWD	1598	77	105	02.09-08.14	*
2.0 TDI (CFFB)		Diesel	FWD	1968	103	140	09.09-11.12	*
2.0 TDI (CJAA)		Diesel	FWD	1968	103	140	09.09-11.12	*
2.0 TDI (CFHC)		Diesel	FWD	1968	103	140	11.09-08.14	*
2.0 TDI (CFGB)		Diesel	FWD	1968	125	170	05.10-11.12	*
GOLF VI VAN Variant / JETTA VI (AJ5) 07.09-05.14						[CAMBIADO]:Furgón/Break (Compact car-C Segment)		
1.2 TSI (CBZB)		Gasolina	FWD	1197	77	105	09.09-05.14	*
1.4 TSI (CAXA)		Gasolina	FWD	1390	90	122	07.09-05.14	*
1.4 TSI (CAVD)		Gasolina	FWD	1390	118	160	07.09-10.12	*
1.6 TDI (CAYB)		Diesel	FWD	1598	66	90	12.09-10.12	*
1.6 TDI (CAYC)		Diesel	FWD	1598	77	105	07.09-05.14	*
2.0 TDI (CBDB)		Diesel	FWD	1968	103	140	07.09-05.14	*
2.0 TDI (CFHC)		Diesel	FWD	1968	103	140	07.09-05.14	*
GOLF VI Variant / JETTA VI (AJ5) 07.09-07.14						[CAMBIADO]:Break (Compact car-C Segment)		
1.2 TSI (CBZA)		Gasolina	FWD	1197	63	86	07.10-07.13	*

LISTA DE APLICACIONES - BUYERS GUIDE

1.2 TSI (CBZB)		Gasolina	FWD	1197	77	105	07.09-07.13	*
1.4 (BUD)		Gasolina	FWD	1390	59	80	07.09-07.13	*
1.4 (CGGA)		Gasolina	FWD	1390	59	80	07.09-07.13	*
1.4 TSI (CAXA)		Gasolina	FWD	1390	90	122	07.09-07.13	*
1.4 TSI (CAVD)		Gasolina	FWD	1390	118	160	07.09-07.13	*
1.4 TSI (CNWA)		Gasolina	FWD	1390	118	160	07.09-07.13	*
1.4 TSI (CTHD)		Gasolina	FWD	1390	118	160	07.09-07.13	*
1.4 TSI (CTKA)		Gasolina	FWD	1390	118	160	07.09-07.13	*
1.6 (BSE)		Gasolina	FWD	1595	75	102	07.09-07.13	*
1.6 (BSF)		Gasolina	FWD	1595	75	102	07.09-07.13	*
1.6 (CCSA)		Gasolina	FWD	1595	75	102	07.09-07.13	*
2.0 TFSI (CCZA)		Gasolina	FWD	1984	147	200	07.09-07.13	*
2.5		Gasolina	FWD	2480	125	170	07.09-	*
1.6 BiFuel (BSF)		Gasol./Gas (LPG)	FWD	1595	75	102	07.09-12.10	*
1.6 MultiFuel (CMXA)		Gasol./Etanol	FWD	1595	75	102	07.10-07.13	*
1.6 TDI (CAYB)		Diesel	FWD	1598	66	90	12.09-07.13	*
1.6 TDI (CAYC)		Diesel	FWD	1598	77	105	07.09-07.13	*
1.6 TDI 4motion (CAYC)		Diesel	4WD	1598	77	105	07.09-07.13	*
2.0 TDI (CLCA)		Diesel	FWD	1968	81	110	01.10-07.13	*
2.0 TDI (CBDA)		Diesel	FWD	1968	100	136	07.09-07.13	*
2.0 TDI (CFHB)		Diesel	FWD	1968	100	136	07.09-07.13	*
2.0 TDI (CBDB)		Diesel	FWD	1968	103	140	07.09-07.13	*
2.0 TDI (CFHC)		Diesel	FWD	1968	103	140	07.09-07.13	*
2.0 TDI (CJAA)		Diesel	FWD	1968	103	140	07.09-07.13	*
GOLF IV Furgoneta (1J1) 10.97-05.04							Furgón/hatchback (Compact car-C Segment)	
1.9 SDI (AQM)		Diesel	FWD	1896	50	68	11.98-05.04	*
1.9 TDI (AGR)		Diesel	FWD	1896	66	90	05.00-09.02	*
1.9 TDI (AHF)		Diesel	FWD	1896	81	110	10.97-05.04	*
1.9 TDI 4motion (AUY)		Diesel	4WD	1896	85	116	01.00-04.01	*
GOLF PLUS V (5M1, 521) 12.04-12.13							[CAMBIADO]:Fastback (Compact car-C Segment)	
1.2 TSI (CBZA)		Gasolina	FWD	1197	63	86	05.10-12.13	*
1.2 TSI (CBZB)		Gasolina	FWD	1197	77	105	11.09-12.13	*
1.4 16V (BCA)		Gasolina	FWD	1390	55	75	01.05-11.06	*
1.4 16V (BUD)		Gasolina	FWD	1390	59	80	05.06-12.13	*
1.4 16V (CGGA)		Gasolina	FWD	1390	59	80	05.06-12.13	*
1.4 FSI (BLN)		Gasolina	FWD	1390	66	90	07.05-11.06	*
1.6 (BSE)		Gasolina	FWD	1595	75	102	05.05-12.13	*
1.6 (BSF)		Gasolina	FWD	1595	75	102	05.05-12.13	*
1.6 (CCSA)		Gasolina	FWD	1595	75	102	05.05-12.13	*
1.6 (CMXA)		Gasolina	FWD	1595	75	102	05.05-12.13	*
1.6 BiFuel (CHGA)		Gasol./Gas (LPG)	FWD	1595	75	102	05.09-12.13	*
1.6 MultiFuel (CCSA)		Gasol./Etanol	FWD	1595	75	102	11.07-12.13	*
1.6 MultiFuel (CMXA)		Gasol./Etanol	FWD	1595	75	102	11.07-12.13	*
1.6 TDI (CAYB)		Diesel	FWD	1598	66	90	02.09-12.13	*
1.9 TDI (BRU)		Diesel	FWD	1896	66	90	05.05-12.08	*
1.9 TDI (BXF)		Diesel	FWD	1896	66	90	05.05-12.08	*
1.9 TDI (BXJ)		Diesel	FWD	1896	66	90	05.05-12.08	*
2.0 TDI (CBDC)		Diesel	FWD	1968	81	110	01.09-12.13	*

LISTA DE APLICACIONES - BUYERS GUIDE

2.0 TDI (CLCA)		Diesel	FWD	1968	81	110	01.09-12.13	*
JETTA VI / VENTO (162, 163, AV3, AV2) 01.08-				Sedán (Compact car-C Segment)				
1.2 TSI (CBZB)		Gasolina	FWD	1197	77	105	10.10-12.17	*
1.2 TSI 16V (CYVD)		Gasolina	FWD	1197	77	105	08.14-12.17	*
1.4 TSI (CAXA)		Gasolina	FWD	1390	90	122	05.11-12.17	*
1.4 TSI (CMSB)		Gasolina	FWD	1390	90	122	05.11-12.17	*
1.4 TSI (CAVA)		Gasolina	FWD	1390	110	150	04.11-12.17	*
1.4 TSI (CTHA)		Gasolina	FWD	1390	110	150	04.11-12.17	*
1.4 TSI (CAVD)		Gasolina	FWD	1390	118	160	04.11-12.17	*
1.4 TSI (CTHD)		Gasolina	FWD	1390	118	160	04.11-12.17	*
1.4 TSI (CZCA)		Gasolina	FWD	1395	92	125	08.14-12.17	*
1.4 TSI (CZDA)		Gasolina	FWD	1395	110	150	08.14-12.17	*
1.4 TSI (CZTA)		Gasolina	FWD	1395	110	150	08.14-12.17	*
1.6 (CFNA)		Gasolina	FWD	1598	77	105	12.11-04.18	*
1.6 (CLRA)		Gasolina	FWD	1598	77	105	12.11-04.18	*
1.8 TSI (CPKA)		Gasolina	FWD	1798	125	170	07.14-12.17	*
1.8 TSI (CPRA)		Gasolina	FWD	1798	125	170	07.14-12.17	*
2.0 (CBPA)		Gasolina	FWD	1984	85	115	06.10-12.17	*
2.0 (CKJA)		Gasolina	FWD	1984	85	115	06.10-12.17	*
2.0 TFSI (CBFA)		Gasolina	FWD	1984	147	200	12.10-07.14	*
2.0 TFSI (CCTA)		Gasolina	FWD	1984	147	200	12.10-07.14	*
2.0 TFSI (CCZA)		Gasolina	FWD	1984	147	200	12.10-07.14	*
2.0 TSI (CPLA)		Gasolina	FWD	1984	155	211	12.12-12.17	*
2.0 TSI (CPPA)		Gasolina	FWD	1984	155	211	12.12-12.17	*
2.5 (CBTA)		Gasolina	FWD	2480	125	170	04.10-12.17	*
2.5 (CBUA)		Gasolina	FWD	2480	125	170	04.10-12.17	*
2.5 (CCCA)		Gasolina	FWD	2480	125	170	04.10-12.17	*
1.4 TSI Hybrid (CNLA)		Gasol./el éc.	FWD	1395	125	170	04.11-12.17	*
1.4 TSI Hybrid (CRJA)		Gasol./el éc.	FWD	1395	125	170	04.11-12.17	*
1.6 TDI (CAYC)		Diesel	FWD	1598	77	105	04.10-07.15	*
2.0 TDI (CLCA)		Diesel	FWD	1968	81	110	10.10-12.17	*
2.0 TDI (CUUA)		Diesel	FWD	1968	81	110	10.10-12.17	*
2.0 TDI (CFFB)		Diesel	FWD	1968	103	140	07.10-12.17	*
2.0 TDI (CFHC)		Diesel	FWD	1968	103	140	07.10-12.17	*
2.0 TDI (CJAA)		Diesel	FWD	1968	103	140	07.10-12.17	*
2.0 TDI (CLCB)		Diesel	FWD	1968	103	140	07.10-12.17	*
2.0 TDI (CUUB)		Diesel	FWD	1968	110	150	07.14-12.17	*
2.0 TDI (CVCA)		Diesel	FWD	1968	110	150	07.14-12.17	*
2.0 TDI (DELA)		Diesel	FWD	1968	110	150	07.14-12.17	*
2.0 TDI (DGMA)		Diesel	FWD	1968	110	150	07.14-12.17	*
JETTA VII (BU3, BU4, BU5) 12.17-				Sedán (Compact car-C Segment)				
1.4 TSI (CWLA)		Gasolina	FWD	1395	110	150	12.17-	*
1.4 TSI (CZDA)		Gasolina	FWD	1395	110	150	12.17-	*
1.4 TSI (DGXA)		Gasolina	FWD	1395	110	150	12.17-	*
1.4 TSI (DJXA)		Gasolina	FWD	1395	110	150	12.17-	*
350 TSI		Gasolina	FWD	1984	169	230	12.18-	*
250 Tsi		Gasol./Et anol	FWD	1395	110	150	05.18-	*
LOAD UP (121, 122, BL1, BL2) 12.14-				Furgón/hatchback (LCVs-N1 Segment)				
1.0 (CHYA)		Gasolina	FWD	999	44	60	11.12-11.19	*

LISTA DE APLICACIONES - BUYERS GUIDE

1.0 (DAFA)		Gasolina	FWD	999	44	60	11.12-11.19	*	
1.0 (CHYB)		Gasolina	FWD	999	55	75	05.16-11.19	*	
1.0 TSI (CHZA)		Gasolina	FWD	999	66	90	05.16-09.18	*	
1.0 EcoFuel (CPGA)		Gasol./Gas (CNG)	FWD	999	50	68	11.12-08.20	*	
e-Load Up (EABA)		Eléctrico	FWD		60	82	12.14-08.19	*	
NEW BEETLE / BETTLE / NOVO FUSCA (9C1, 1C1) 01.98-12.13					[CAMBIADO]:Fastback (Compact car-C Segment)				
2.0 (AEG)		Gasolina	FWD	1984	85	115	01.98-09.10	*	
2.0 (APK)		Gasolina	FWD	1984	85	115	01.98-09.10	*	
2.0 (AQY)		Gasolina	FWD	1984	85	115	01.98-09.10	*	
2.0 (AVH)		Gasolina	FWD	1984	85	115	01.98-09.10	*	
2.0 (AZG)		Gasolina	FWD	1984	85	115	01.98-09.10	*	
2.0 (AZJ)		Gasolina	FWD	1984	85	115	01.98-09.10	*	
2.0 (BER)		Gasolina	FWD	1984	85	115	01.98-09.10	*	
2.0 (BEV)		Gasolina	FWD	1984	85	115	01.98-09.10	*	
1.9 TDI (ALH)		Diesel	FWD	1896	66	90	01.98-06.04	*	
POLO III CLASSIC / DERBY / FLIGHT (6V2) 01.95-11.09					Sedán (Supermini car-B Segment)				
1.6 (BAH)		Gasolina	FWD	1598	74	101	11.02-07.06	*	
1.6 (CCRA)		Gasolina	FWD	1598	74	101	11.02-07.06	*	
POLO IV (9N_, 9A_) 10.01-10.14					[CAMBIADO]:Fastback (Supermini car-B Segment)				
1.2 (AWY)		Gasolina	FWD	1198	40	54	01.02-05.07	*	
1.2 (BMD)		Gasolina	FWD	1198	40	54	01.02-05.07	*	
1.2 (BBM)		Gasolina	FWD	1198	44	60	05.07-11.09	*	
1.2 12V (AZQ)		Gasolina	FWD	1198	47	64	10.01-07.07	*	
1.2 12V (BME)		Gasolina	FWD	1198	47	64	10.01-07.07	*	
1.2 12V (BZG)		Gasolina	FWD	1198	51	69	05.07-11.09	*	
1.4 16V (AUA)		Gasolina	FWD	1390	55	75	10.01-05.08	*	
1.4 16V (BBY)		Gasolina	FWD	1390	55	75	10.01-05.08	*	
1.4 16V (BKY)		Gasolina	FWD	1390	55	75	10.01-05.08	*	
1.4 16V (BUD)		Gasolina	FWD	1390	59	80	05.06-11.09	*	
1.4 (BLM)		Gasolina	FWD	1390	61	83	08.02-11.09	*	
1.4 FSI (AXU)		Gasolina	FWD	1390	63	86	02.02-07.06	*	
1.4 16V (AUB)		Gasolina	FWD	1390	74	101	10.01-05.08	*	
1.4 16V (BBZ)		Gasolina	FWD	1390	74	101	10.01-05.08	*	
1.6 16V (BTS)		Gasolina	FWD	1598	77	105	05.06-11.09	*	
2.0		Gasolina	FWD	1984	85	115	10.04-11.09	*	
1.4 BiFuel (BUD)		Gasol./Gas (LPG)	FWD	1390	60	82	05.06-11.09	*	
1.4 TDI (BNM)		Diesel	FWD	1422	51	70	04.05-11.09	*	
1.4 TDI (BWB)		Diesel	FWD	1422	51	70	04.05-11.09	*	
1.4 TDI (AMF)		Diesel	FWD	1422	55	75	10.01-06.05	*	
1.4 TDI (BAY)		Diesel	FWD	1422	55	75	10.01-06.05	*	
1.4 TDI (BMS)		Diesel	FWD	1422	59	80	04.05-11.09	*	
1.4 TDI (BNV)		Diesel	FWD	1422	59	80	04.05-11.09	*	
1.9 SDI (ASY)		Diesel	FWD	1896	47	64	10.01-11.09	*	
1.9 TDI (ATD)		Diesel	FWD	1896	74	101	10.01-11.09	*	
1.9 TDI (AXR)		Diesel	FWD	1896	74	101	10.01-11.09	*	
1.9 TDI (BMT)		Diesel	FWD	1896	74	101	10.01-11.09	*	
POLO IV (9N2, 9N4) 09.02-12.10					Sedán (Supermini car-B Segment)				
1.9 TDI (ATD)		Diesel	FWD	1896	74	101	07.03-12.10	*	

LISTA DE APLICACIONES - BUYERS GUIDE

POLO IV / DERBY (9A4, 9A2, 9N2, 9A6) 09.02-					Sedán (Supermini car-B Segment)			
1.4 (BBY)		Gasolina	FWD	1390	55	75	11.02-04.12	*
1.4 (BKY)		Gasolina	FWD	1390	55	75	11.02-04.12	*
1.4 (BBZ)		Gasolina	FWD	1390	74	101	11.03-06.05	*
1.6 (BAH)		Gasolina	FWD	1598	74	101	09.02-	*
1.6 (CCRA)		Gasolina	FWD	1598	74	101	09.02-	*
1.6 (CFZA)		Gasolina	FWD	1598	74	101	09.02-	*
1.4 TDI (BAY)		Diesel	FWD	1422	55	75	07.03-06.05	*
1.9 SDI (ASY)		Diesel	FWD	1896	47	64	09.02-04.12	*
POLO V (6R1, 6C1) 03.09-					[CAMBIADO]:Fastback (Supermini car-B Segment)			
1.0 (CHYA)		Gasolina	FWD	999	44	60	01.14-10.17	*
1.0 (CHYB)		Gasolina	FWD	999	55	75	01.14-10.17	*
1.0 TSI (CHZB)		Gasolina	FWD	999	70	95	11.14-10.17	*
1.0 TSI (CHZC)		Gasolina	FWD	999	81	110	11.14-10.17	*
1.2 TSI		Gasolina	FWD	1197	63	86	06.09-	*
1.2 TSI (CBZC)		Gasolina	FWD	1197	66	90	05.11-05.14	*
1.2 TSI 16V (CJZC)		Gasolina	FWD	1197	66	90	02.14-10.17	*
1.2 TSI (CBZB)		Gasolina	FWD	1197	77	105	11.09-05.22	*
1.2 TSI (CJZD)		Gasolina	FWD	1197	81	110	01.14-10.17	*
1.2 (CGPB)		Gasolina	FWD	1198	44	60	06.09-05.14	*
1.2 (CGPA)		Gasolina	FWD	1198	51	70	06.09-05.14	*
1.2		Gasolina	FWD	1198	55	75	08.11-02.18	*
1.4 (6R1) (CDDA)		Gasolina	FWD	1390	63	85	03.09-05.14	*
1.4 (6R1) (CGGB)		Gasolina	FWD	1390	63	85	03.09-05.14	*
1.4 (6R1) (CLPA)		Gasolina	FWD	1390	63	85	03.09-05.14	*
1.4 TSI (CPTA)		Gasolina	FWD	1395	103	140	10.12-05.14	*
1.4 TSI (CZEA)		Gasolina	FWD	1395	110	150	05.14-10.17	*
1.6		Gasolina	FWD	1598	63	86	05.10-	*
1.6 (CWVB)		Gasolina	FWD	1598	66	90	07.14-10.17	*
1.6 (CWVA)		Gasolina	FWD	1598	81	110	07.14-10.17	*
1.8 GTI		Gasolina	FWD	1798	136	185	11.14-	*
1.8 GTI (DAJA)		Gasolina	FWD	1798	141	192	11.14-10.17	*
1.8 GTI (DAJB)		Gasolina	FWD	1798	141	192	11.14-10.17	*
1.8 GTI 230 (DAJA)		Gasolina	FWD	1798	169	230	04.16-10.17	*
1.4 BiFuel (CMAA)		Gasol./Gas (LPG)	FWD	1390	60	82	03.10-01.11	*
1.6 BiFuel (CNKA)		Gasol./Gas (LPG)	FWD	1598	60	82	01.11-05.14	*
1.2 TDI (CFWA)		Diesel	FWD	1199	55	75	10.09-05.14	*
1.4 TDI (CUSA)		Diesel	FWD	1422	55	75	03.14-10.17	*
1.4 TDI (CYZB)		Diesel	FWD	1422	55	75	03.14-10.17	*
1.4 TDI (CUSB)		Diesel	FWD	1422	66	90	02.14-10.17	*
1.4 TDI (CUTA)		Diesel	FWD	1422	77	105	05.14-10.17	*
1.4 TDI (CYZA)		Diesel	FWD	1422	77	105	05.14-10.17	*
1.5 TDI		Diesel	RWD	1498	66	90	07.14-	*
1.6 TDI (CAYA)		Diesel	FWD	1598	55	75	06.09-05.14	*
1.6 TDI (CAYB)		Diesel	FWD	1598	66	90	06.09-05.14	*
1.6 TDI (CAYC)		Diesel	FWD	1598	77	105	06.09-08.15	*
1.6 TDI (CLNA)		Diesel	FWD	1598	77	105	06.09-08.15	*
POLO V (6R1, 6C1) 03.09-					Furgón/hatchback (Supermini car-B Segment)			
1.0 (CHYA)		Gasolina	FWD	999	44	60	01.14-10.17	*

LISTA DE APLICACIONES - BUYERS GUIDE

1.0 (CHYB)		Gasolina	FWD	999	55	75	01.14-10.17	*	
1.0 TSI (CHZB)		Gasolina	FWD	999	70	95	11.14-10.17	*	
1.2 TSI (CJZC)		Gasolina	FWD	1197	66	90	02.14-10.17	*	
1.2 TSI (CBZC)		Gasolina	FWD	1197	66	90	05.11-05.14	*	
1.2 TSI (CBZB)		Gasolina	FWD	1197	77	105	11.09-05.14	*	
1.2 TSI (CJZD)		Gasolina	FWD	1197	81	110	01.14-10.17	*	
1.2 (CGPB)		Gasolina	FWD	1198	44	60	03.09-05.14	*	
1.2 (CGPA)		Gasolina	FWD	1198	51	69	03.09-05.14	*	
1.4 (CGGB)		Gasolina	FWD	1390	63	86	03.09-05.14	*	
1.4 TSI (CZEA)		Gasolina	FWD	1395	110	150	05.14-10.17	*	
1.2 TDI (CFWA)		Diesel	FWD	1199	55	75	10.09-05.14	*	
1.4 TDI (CUSA)		Diesel	FWD	1422	55	75	03.14-10.17	*	
1.4 TDI (CYZB)		Diesel	FWD	1422	55	75	03.14-10.17	*	
1.4 TDI (CUSB)		Diesel	FWD	1422	66	90	02.14-10.17	*	
1.6 TDI (CAYA)		Diesel	FWD	1598	55	75	06.09-05.14	*	
1.6 TDI (CAYB)		Diesel	FWD	1598	66	90	06.09-05.14	*	
1.6 TDI (CAYC)		Diesel	FWD	1598	77	105	06.09-05.14	*	
POLO V / VENTO (602, 604, 612, 614) 05.09-					Sedán (Supermini car-B Segment)				
1.6 (CFNB)		Gasolina	FWD	1598	63	86	11.10-05.15	*	
1.6 (CFNA)		Gasolina	FWD	1598	77	105	05.10-05.22	*	
1.6 (CLSA)		Gasolina	FWD	1598	77	105	05.10-05.22	*	
POLO V VIVO (6S1, 6S3) 02.10-					[CAMBIADO]:Fastback (Supermini car-B Segment)				
1.4		Gasolina	FWD	1390	55	75	03.10-03.19	*	
POLO VI (AW1, BZ1, AE1) 06.17-					[CAMBIADO]:Fastback (Supermini car-B Segment)				
1.0 (CHYC)		Gasolina	FWD	999	48	65	08.17-02.20	*	
1.0 (DFNB)		Gasolina	FWD	999	48	65	08.17-02.20	*	
1.0 (CHYB)		Gasolina	FWD	999	55	75	06.17-08.21	*	
1.0 MPi (DFNA)		Gasolina	FWD	999	59	80	09.18-	*	
1.0 MPi (DSGB)		Gasolina	FWD	999	59	80	09.18-	*	
1.0 TSI (CHZL)		Gasolina	FWD	999	70	95	06.17-	*	
1.0 TSI (DKLA)		Gasolina	FWD	999	70	95	06.17-	*	
1.0 TSI (CHZJ)		Gasolina	FWD	999	85	116	09.17-	*	
1.0 TSI (DKJA)		Gasolina	FWD	999	85	116	09.17-	*	
1.0 TSI (DKRF)		Gasolina	FWD	999	85	116	09.17-	*	
1.0 TGI (DBYA)		Gasol./Gas (CNG)	FWD	999	66	90	09.17-	*	
1.6 TDI (DGTC)		Diesel	FWD	1598	59	80	11.17-07.19	*	
1.6 TDI (DGTD)		Diesel	FWD	1598	70	95	11.17-02.21	*	
SPACEFOX-SPACE CROSS / SURAN (5Z6, 5Z7, 5Z9) 03.06-					[CAMBIADO]:Break (Mini MPV-M1 Segment)				
1.6		Gasolina	FWD	1598	74	101	03.06-	*	
1.6		Gasolina	FWD	1598	74	101	07.10-	*	
1.6 TotalFlex		Gasolina	FWD	1598	74	101	03.06-	*	
1.9 SDI		Diesel	RWD	1896	47	64	09.07-	*	
UP! (121, 122, BL1, BL2, BL3, 123) 08.11-					[CAMBIADO]:Fastback (City car-A Segment)				
1.0 (CHYA)		Gasolina	FWD	999	44	60	08.11-08.20	*	
1.0 (CHYE)		Gasolina	FWD	999	44	60	08.11-08.20	*	
1.0 (DAFA)		Gasolina	FWD	999	44	60	08.11-08.20	*	
1.0 (DSGC)		Gasolina	FWD	999	48	65	08.20-11.23	*	
1.0 (CHYB)		Gasolina	FWD	999	55	75	08.11-11.19	*	

LISTA DE APLICACIONES - BUYERS GUIDE

1.0 (CWRA)	Gasolina	FWD	999	55	75	08.11-11.19	*
1.0	Gasolina	FWD	999	56	75	01.14-	*
1.0 TSI (CHZA)	Gasolina	FWD	999	66	90	05.16-08.19	*
1.0 TSI (DKLC)	Gasolina	FWD	999	66	90	05.16-08.19	*
1.0 GTI (DKRA)	Gasolina	FWD	999	85	115	11.17-11.23	*
1.0 EcoFuel (CPGA)	Gasol./Gas (CNG)	FWD	999	50	68	11.12-11.23	*
e-Up (EABA)	Eléctrico	FWD		60	82	07.13-08.19	*
e-Up (EBMA)	Eléctrico	FWD		61	83	08.19-	*
VENTO / JETTA VII (602, 604) 01.10-				Sedán (Compact car-C Segment)			
1.6	Gasolina	FWD	1598	77	105	07.10-	*
1.6 TDI	Diesel	RWD	1598	77	105	09.13-	*
VW (FAW)							
SAGITAR III (0J3, 0J4) 03.19-				Sedán (Compact car-C Segment)			
200TSi	Gasolina	FWD	1197	85	116	03.19-	*
280TSi	Gasolina	FWD	1395	110	150	03.19-	*
VW (SVW)							
POLO PLUS III (C31) 06.19-				[CAMBIADO]:Fastback (Supermini car-B Segment)			
1.5	Gasolina	FWD	1498	83	113	06.19-	*