


# LISTA DE APLICACIONES - BUYERS GUIDE

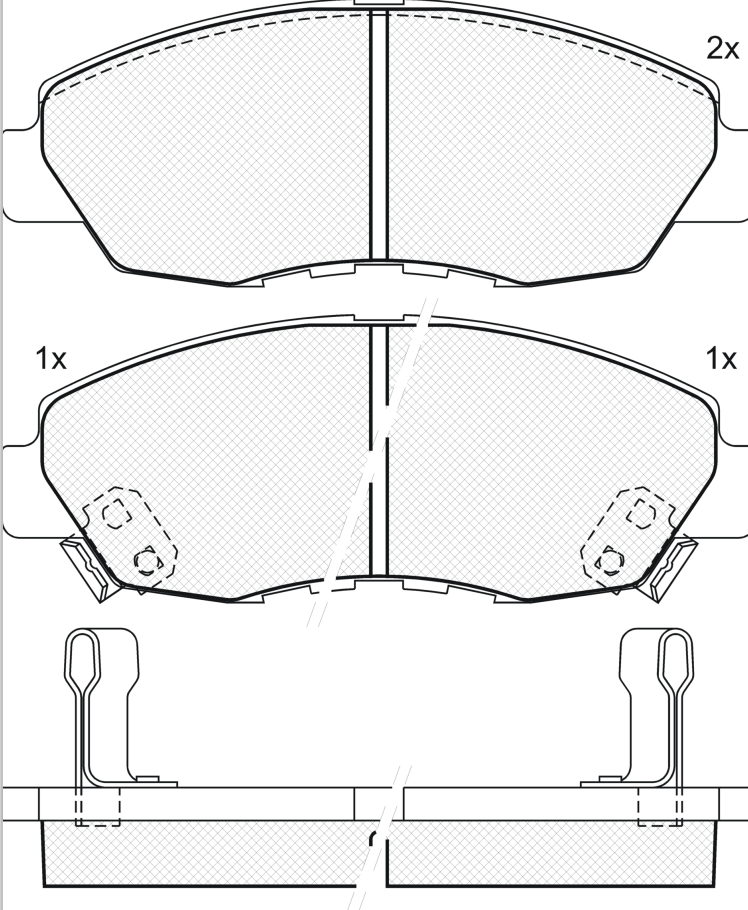
## RB1329



8 424073 129147

Qty: 300      Weight: 1.575

O.E.M.	MAKE
06450-S5D-A01	HONDA
45022-S01-A01	HONDA
45022-S01-A02	HONDA
45022-S01-A03	HONDA
45022-S10-000	HONDA
45022-S10-010	HONDA
45022-S10-020	HONDA
45022-S10-030	HONDA
45022-S4K-A00	HONDA
45022-S4K-A01	HONDA
45022-S5D-A00	HONDA
45022-S5D-H00	HONDA
45022-S84-A00	HONDA
45022-S84-A01	HONDA
45022-S84-A02	HONDA
45022-SNE-A00	HONDA
45022-SNE-A50	HONDA
45022-SNE-A51	HONDA
45022-TR3-A00	HONDA
45022-TR3-A01	HONDA
45022-TR3-A02	HONDA
H4502-S10-003	HONDA
V9118-H014	HONDA



## RB1329

E 9 **90R-01111/204**

Akebono

137.8x52.65x16.5

WVA	FMSI
21497	D465A-7573
21498	D764-7573
21499	D764-7632
	D1956-9182

Sin Filas



Trac.	CC	Kw	CV
-------	----	----	----



HONDA									
<b>ACCORD VI (CK, CG, CH, CF, CL) 03.97-12.03</b>							<b>Sedán (Executive car-E Segment)</b>		
2.3 (CG5, CF9, CF0, CF1, CF2) (F23A1)		Gasolina	FWD	2254	110	150	03.97-01.99	*	
2.3 (CG5, CF9, CF0, CF1, CF2) (F23A2)		Gasolina	FWD	2254	110	150	03.97-01.99	*	
<b>CIVIC IX (FK) 02.12-</b>							<b>[CAMBIADO]:Fastback (Compact car-C Segment)</b>		
1.4 i-VTEC (FK1) (L13Z4)		Gasolina	FWD	1339	73	99	02.12-12.16	*	
1.8 i-VTEC (FK2) (R18Z4)		Gasolina	FWD	1798	104	141	02.12-12.16	*	
1.6 i-DTEC (FK3) (N16A1)		Diesel	FWD	1597	88	120	02.13-12.16	*	
2.2 i-DTEC (FK3) (N22B4)		Diesel	FWD	2199	110	150	02.12-12.16	*	
<b>CIVIC IX 01.12-</b>							<b>Coupé (Compact car-C Segment)</b>		
1.8		Gasolina	FWD	1798	104	141	01.12-	*	
2.4		Gasolina	FWD	2354	150	204	01.12-	*	
<b>CIVIC IX (FB) 09.11-</b>							<b>Sedán (Compact car-C Segment)</b>		
1.5 Hybrid		Gasolina	FWD	1497	82	112	06.12-	*	
1.8 (FB2) (R18Z1)		Gasolina	FWD	1799	104	141	02.12-12.16	*	
1.8 (FB2) (R18Z4)		Gasolina	FWD	1799	104	141	02.12-12.16	*	
2.0 (FB3)		Gasolina	FWD	1997	114	155	06.12-12.16	*	
<b>CIVIC V (EJ) 08.93-03.96</b>							<b>Coupé (Supermini car-B Segment)</b>		
1.6 i Vtec (EJ1) (D16Y6)		Gasolina	FWD	1590	92	125	01.94-03.96	*	
1.6 i Vtec (EJ1) (D16Z9)		Gasolina	FWD	1590	92	125	01.94-03.96	*	
<b>CIVIC VI (EJ, EM1) 03.96-12.00</b>							<b>Coupé (Supermini car-B Segment)</b>		
1.6 i Vtec (EM1) (D16Y8)		Gasolina	FWD	1590	92	125	03.96-03.00	*	

# LISTA DE APLICACIONES - BUYERS GUIDE

					<b>Sedán (Sport compact car-C Segment)</b>				
<b>CIVIC VI / BALLADE (EJ, EK, SO) 06.95-03.01</b>									
1.6 i Vtec (EK1, SO4) (D16Y6)		Gasolina	FWD	1590	92	125	11.95-02.01	*	
1.6 i Vtec (EK1, SO4) (D16Y8)		Gasolina	FWD	1590	92	125	11.95-02.01	*	
					<b>[CAMBIADO]:Fastback (Compact car-C Segment)</b>				
<b>CIVIC VIII (FN, FK) 09.05-</b>									
1.8 (FN1, FK2) (R18A2)		Gasolina	FWD	1799	103	140	09.05-12.11	*	
2.0		Gasolina	FWD	1998	110	150	12.06-	*	
Type R (FN2) (K20Z4)		Gasolina	FWD	1998	148	201	09.06-01.12	*	
2.2 CTDi (FK3) (N22A2)		Diesel	FWD	2204	103	140	09.05-12.11	*	
					<b>Sedán (Compact car-C Segment)</b>				
<b>CIVIC VIII / BALLADE (FD, FA) 09.05-</b>									
1.8		Gasolina	FWD	1799	97	132	01.06-12.13	*	
1.8		Gasolina	FWD	1799	103	140	02.06-	*	
1.8 (FD1, FD7, FA1) (R18A1)		Gasolina	FWD	1799	103	140	09.05-02.12	*	
1.8 (FD1, FD7, FA1) (R18A2)		Gasolina	FWD	1799	103	140	09.05-02.12	*	
2.0		Gasolina	FWD	1998	114	155	02.06-02.12	*	
					<b>SUV (Compact SUV-J Segment)</b>				
<b>CR-V (RD) 10.95-07.02</b>									
2.0 (RD1) (B20Z1)		Gasolina	4WD	1973	98	133	04.99-02.02	*	