

# LISTA DE APLICACIONES - BUYERS GUIDE

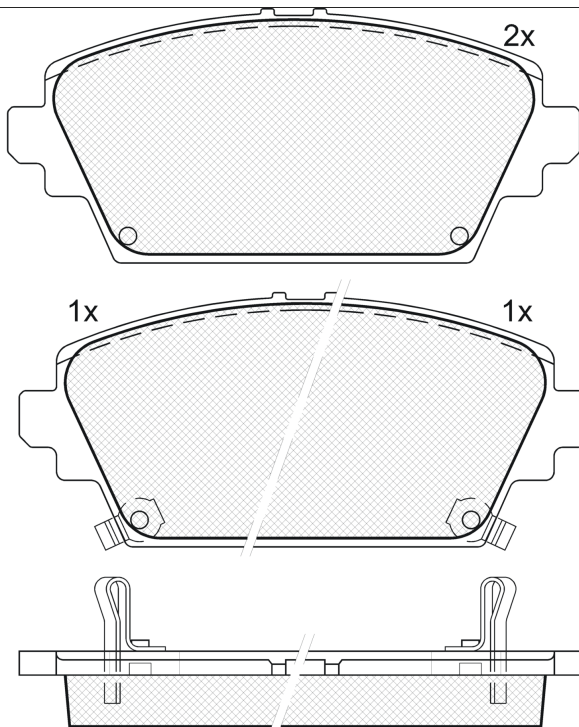
## RB1286-701



Qty: 300

Weight: 1.625

O.E.M.	MAKE
45022-S1A-E00	HONDA
45022-S1A-E02	HONDA
45022-S1A-E50	HONDA
45022-S1A-E51	HONDA
45022-S1A-E64	HONDA
GBP90346	MG
SFP000070	MG
SFP000370	MG



## RB1286-701



90R-01111/125



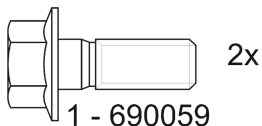
Lucas - Girling

131.8x58.5x17.3

WVA
23094
23095
23563
23564

Sin Filas

### 181286-701



Trac.	CC	Kw	CV	Front / Rear
-------	----	----	----	--------------

### HONDA

						<b>[CAMBIADO]:Fastback (Executive car-E Segment)</b>				
<b>ACCORD VI (CH, CL) 12.99-12.02</b>										
1.6 (CH5) (D16B6)		Gasolina	FWD	1590	85	116	12.99-12.02	*		
1.8 i (CH6) (F18B2)		Gasolina	FWD	1850	100	136	12.99-12.02	*		
1.8 i (CH6) (F18B4)		Gasolina	FWD	1850	100	136	12.99-12.02	*		
2.0 (CH7) (F20B6)		Gasolina	FWD	1997	108	147	12.99-12.02	*		
2.3 (CL4) (F23Z5)		Gasolina	FWD	2254	113	154	11.00-12.02	*		
2.0 TDi (CH8) (20T2N)		Diesel	FWD	1994	77	105	12.99-10.00	*		
<b>ACCORD VI (CG) 12.97-06.03</b>						<b>Coupé (Executive car-E Segment)</b>				
2.3 VTi (CG3) (F23A3)		Gasolina	FWD	2254	113	154	02.98-10.02	*		
<b>ACCORD VI (CK, CG, CH, CF, CL) 03.97-12.03</b>						<b>Sedán (Executive car-E Segment)</b>				
1.8 i (CG8) (F18B2)		Gasolina	FWD	1850	100	136	10.98-12.02	*		
2.0 i (CG9) (F20B6)		Gasolina	FWD	1997	108	147	10.98-01.01	*		
2.3		Gasolina	FWD	2254	104	141	07.01-02.03	*		
2.3 (CG5, CF9, CF0, CF1, CF2) (F23A1)		Gasolina	FWD	2254	110	150	03.97-01.99	*		
2.3 (CG5, CF9, CF0, CF1, CF2) (F23A2)		Gasolina	FWD	2254	110	150	03.97-01.99	*		
2.3 (F23A1)		Gasolina	FWD	2254	112	152	03.97-03.03	*		
2.3 (F23Z5)		Gasolina	FWD	2254	112	152	03.97-03.03	*		
2.3 (CL3, S86) (F23A1)		Gasolina	FWD	2254	113	154	01.01-06.03	*		
2.3 (CL3, S86) (F23W5)		Gasolina	FWD	2254	113	154	01.01-06.03	*		
2.3 (CL3, S86) (F23X5)		Gasolina	FWD	2254	113	154	01.01-06.03	*		
2.3 (CL3, S86) (F23Z5)		Gasolina	FWD	2254	113	154	01.01-06.03	*		
2.0 Turbo DI (CH2) (20T2N)		Diesel	FWD	1994	77	105	02.99-12.02	*		

# LISTA DE APLICACIONES - BUYERS GUIDE

<b>ACCORD VI Aerodeck (CF) 07.97-09.05</b>					<b>[CAMBIADO]:Break (Executive car-E Segment)</b>			
2.3 16 V (CF6) (F23A7)	Gasolina	FWD	2254	118	160	02.98-12.02	*	
<b>MG</b>								
<b>EXPRESS 03.03-05.05</b>					<b>Furgón/hatchback (LCVs-N1 Segment)</b>			
160 (18 K4K)	Gasolina	FWD	1796	118	160	03.03-05.05	*	
<b>MG ZR 06.01-04.05</b>					<b>[CAMBIADO]:Fastback (Supermini car-B Segment)</b>			
160 (18 K4K)	Gasolina	FWD	1796	118	160	06.01-04.05	*	
<b>MG ZS 07.01-10.05</b>					<b>[CAMBIADO]:Fastback (Executive car-E Segment)</b>			
120 (18 K4F)	Gasolina	FWD	1796	86	117	07.01-10.05	*	
180 (25 K4F)	Gasolina	FWD	2497	130	177	07.01-10.05	*	
2.0 TD (20 T2N)	Diesel	FWD	1994	74	101	01.04-10.05	*	
2.0 TD (20 T2N)	Diesel	FWD	1994	83	113	01.04-10.05	*	
<b>MG ZS 07.01-04.05</b>					<b>Sedán (Executive car-E Segment)</b>			
120 (18 K4F)	Gasolina	FWD	1796	86	117	07.01-04.05	*	
180 (25 K4F)	Gasolina	FWD	2497	130	177	07.01-04.05	*	
2.0 TD (20 T2N)	Diesel	FWD	1994	74	101	01.04-04.05	*	
2.0 TD (20 T2N)	Diesel	FWD	1994	83	113	01.04-04.05	*	
<b>NISSAN</b>								
<b>ALMERA II TINO (V10) 12.98-02.06</b>					<b>MPV (Compact MPV-M1 Segment)</b>			
1.8 (QG18DE)	Gasolina	FWD	1769	84	114	08.00-02.06	*	
1.8 (QG18DE)	Gasolina	FWD	1769	85	116	12.02-02.06	*	
1.8 (QG18DE)	Gasolina	FWD	1769	88	120	12.98-02.03	*	
2.0 (SR20DE)	Gasolina	FWD	1998	100	136	08.00-01.03	*	
2.2 dCi (YD22DDT)	Diesel	FWD	2184	82	112	09.03-02.06	*	
2.2 dCi (YD22DDTI)	Diesel	FWD	2184	84	115	08.00-02.06	*	
2.2 dCi (YD22DDTI)	Diesel	FWD	2184	100	136	09.03-02.06	*	
2.2 dCi	Diesel	RWD	2184	110	150	08.00-02.06	*	
<b>PRIMERA III (WP12) 01.02-</b>					<b>[CAMBIADO]:Break (Large family car-D Segment)</b>			
1.6 Visia (QG16DE)	Gasolina	FWD	1597	80	109	01.02-04.06	*	
1.8 (QG18DE)	Gasolina	FWD	1769	85	115	03.02-05.07	*	
2.0 (QR20DE)	Gasolina	FWD	1998	103	140	03.02-	*	
2.5	Gasolina	FWD	2488	125	170	01.02-	*	
1.9 dCi (F9Q)	Diesel	FWD	1870	85	116	08.02-10.07	*	
1.9 dCi (F9Q)	Diesel	FWD	1870	88	120	04.03-	*	
2.2 Di (YD22DDT)	Diesel	FWD	2184	93	126	03.02-04.03	*	
2.2 dCi (YD22DDT)	Diesel	FWD	2184	102	139	04.03-	*	
<b>PRIMERA III (P12) 01.02-</b>					<b>[CAMBIADO]:Fastback (Large family car-D Segment)</b>			
1.6 (QG16DE)	Gasolina	FWD	1597	78	106	07.02-08.08	*	
1.6 (QG16DE)	Gasolina	FWD	1597	80	109	07.02-04.06	*	
1.8 (QG18DE)	Gasolina	FWD	1769	85	115	07.02-10.08	*	
2.0 (QR20DE)	Gasolina	FWD	1998	103	140	07.02-10.08	*	
2.5	Gasolina	FWD	2488	125	170	01.02-	*	
1.9 dCi (F9Q)	Diesel	FWD	1870	85	116	08.02-10.07	*	
1.9 dCi (F9Q)	Diesel	FWD	1870	88	120	04.03-10.07	*	
2.2 Di (YD22DDT)	Diesel	FWD	2184	93	126	07.02-05.07	*	
2.2 dCi (YD22DDT)	Diesel	FWD	2184	102	139	04.03-	*	

# LISTA DE APLICACIONES - BUYERS GUIDE

<b>PRIMERA III (P12) 01.02-</b>					<b>Sedán (Large family car-D Segment)</b>			
1.6 (QG16DE)	Gasolina	FWD	1597	78	106	03.02-08.08	*	
1.6 (QG16DE)	Gasolina	FWD	1597	80	109	01.02-04.06	*	
1.8 (QG18DE)	Gasolina	FWD	1769	85	115	03.02-10.08	*	
2.0 (QR20DE)	Gasolina	FWD	1998	103	140	03.02-10.08	*	
2.5	Gasolina	FWD	2488	125	170	01.02-	*	
1.8 LPG	Gasol./Gas (LPG)	FWD	1769	85	115	03.02-	*	
1.9 dCi (F9Q)	Diesel	FWD	1870	85	116	08.02-10.07	*	
1.9 dCi (F9Q)	Diesel	FWD	1870	88	120	04.03-10.07	*	
2.2 Di (YD22DDT)	Diesel	FWD	2184	93	126	03.02-05.07	*	
2.2 dCi (YD22DDT)	Diesel	FWD	2184	102	139	04.03-04.06	*	
<b>RENAULT</b>								
<b>SAFRANE II (B54_) 07.96-12.00</b>					<b>[CAMBIADO]:Fastback (Executive car-E Segment)</b>			
2.9 24V (B54N) (L7X 713)	Gasolina	FWD	2946	140	190	03.99-12.00	*	