

LISTA DE APLICACIONES - BUYERS GUIDE

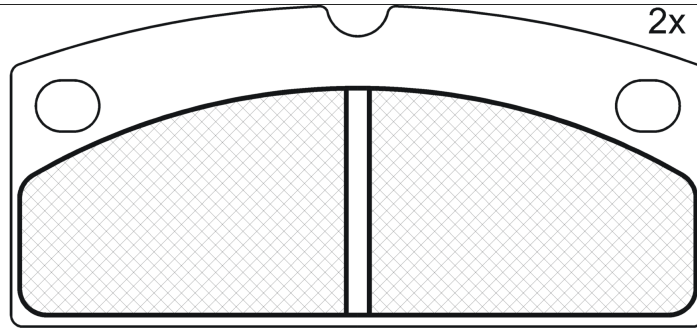
RB1273



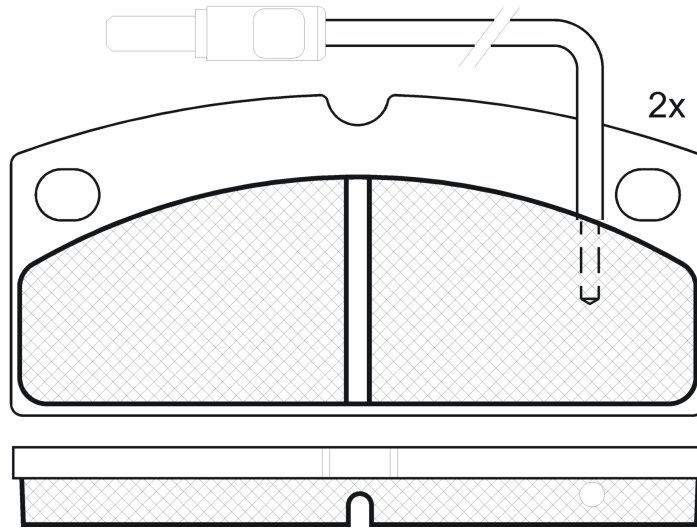
Qty: 300

Weight: 576

O.E.M.	MAKE
0790710_N	AIXAM
6G065_N	AIXAM



L=208 mm.



RB1273



Ate - Teves

89.7x41.5x10

WVA

24734

24735

24736

Sin Filas



Trac.	CC	Kw	CV
-------	----	----	----



Front / Rear

AIXAM

400 10.96-								[CAMBIADO]:Fastback (Microcar-A Segment)
0.4 (Z402)		Diesel	FWD	400	4	5	06.00-08.02	*
500 II 12.97-								[CAMBIADO]:Fastback (Microcar-A Segment)
0.5 (LGW 523)		Gasolina	FWD	505	15	20	09.03-07.05	*
500 II 10.96-								Cabrío (Microcar-A Segment)
0.5 D (Z 482)		Diesel	FWD	479	10	14	10.96-07.07	*
500 II 09.03-12.04								Furgón/hatchback (Microcar-A Segment)
0.5 (LGW 523)		Gasolina	FWD	505	15	20	09.03-12.04	*
A.721 01.05-								[CAMBIADO]:Fastback (Microcar-A Segment)
0.4 D (Z402)		Diesel	FWD	400	4	5	01.05-	*
A.741 01.05-								[CAMBIADO]:Fastback (Microcar-A Segment)
0.4 D (Z402)		Diesel	FWD	400	4	5	01.05-	*
A.751 01.05-								[CAMBIADO]:Fastback (Microcar-A Segment)
0.5 (LGW 523)		Gasolina	FWD	505	15	20	07.05-03.10	*
0.5 D (Z 482)		Diesel	FWD	479	10	14	01.05-03.10	*