

LISTA DE APLICACIONES - BUYERS GUIDE

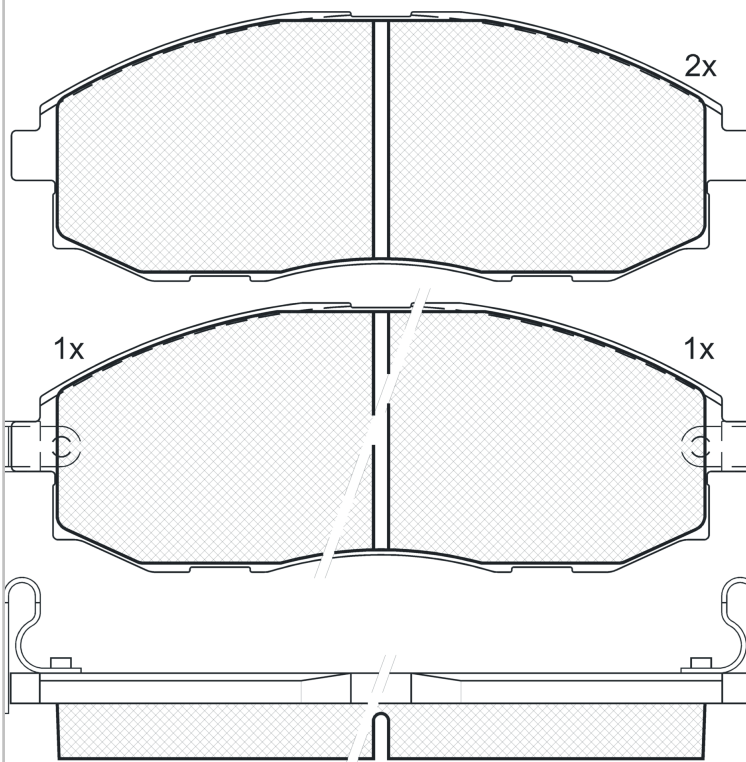
RB1266



Qty: 639

Weight: 1.785

O.E.M.	MAKE
58101-4AA00	HYUNDAI
58101-4AA10	HYUNDAI
58101-4AA11	HYUNDAI
58101-4AA30	HYUNDAI
58101-4AA31	HYUNDAI
58101-4AA32	JAC
58101-4AA60	HYUNDAI
58101-4AA61	HYUNDAI
58101-4AA80	HYUNDAI
58101-4AA81	KIA



RB1266

E1 90R-01217/315



Mando

147.05x53.55x17

WVA	FMSI
23536	D1712-8937
23537	
23538	

Sin Filas



Trac.	CC	Kw	CV
-------	----	----	----



Front / Rear

HYUNDAI

H-1 06.00-10.06						Caja/Chasis (LCVs-N1 Segment)		
2.5 D	Diesel	RWD	2476	57	78	06.00-04.04	*	
2.5 D (D4BH)	Diesel	RWD	2476	73	99	06.00-10.06	*	
2.5 CRDi (D4CB)	Diesel	RWD	2497	103	140	12.02-10.05	*	
H-1 / H-200 (A1) 10.97-04.08						[CAMBIADO]:Furgón (LCVs-N1 Segment)		
2.4 (G4CS)	Gasolina	RWD	2351	82	112	03.00-04.04	*	
2.4 (G4JS)	Gasolina	RWD	2351	107	145	11.01-04.04	*	
2.5 D	Diesel	RWD	2476	57	78	10.97-04.04	*	
2.5 TD (D4BF)	Diesel	RWD	2476	59	80	03.00-09.00	*	
2.5 TD	Diesel	RWD	2476	63	86	10.98-04.08	*	
2.5 TD (D4BH)	Diesel	RWD	2476	73	99	03.00-10.06	*	
2.5 TD (D4BH)	Diesel	RWD	2476	74	101	10.01-08.07	*	
2.5 CRDi (D4CB)	Diesel	RWD	2497	81	110	07.01-04.04	*	
2.5 CRDi (D4CB)	Diesel	RWD	2497	103	140	08.03-12.07	*	
2.6 CRDi (D4BB)	Diesel	RWD	2607	79	107	10.97-12.07	*	
H-1 / H-200 / SATELLITE 01.94-						[CAMBIADO]:Furgón (LCVs-N1 Segment)		
2.4	Gasolina	FWD	2395	62	85	01.94-	*	
2.5 TD GL, GLS, SVX	Diesel	RWD	2495	56	76	01.94-	*	
2.5 D	Diesel	RWD	2495	57	77	01.94-	*	
2.5 D	Diesel	RWD	2495	59	80	01.94-	*	
H-1 / STAREX / H 200 / SATELLITE (A1) 06.97-12.07						Bus (Minibus-M2-Segment)		
2.4 (G4CS)	Gasolina	RWD	2351	82	112	06.97-04.04	*	

LISTA DE APLICACIONES - BUYERS GUIDE

2.4 4WD (G4CS)	Gasolina	4WD	2351	82	112	02.98-04.04	*	
2.4 4WD (G4JS)	Gasolina	4WD	2351	99	135	06.01-04.04	*	
2.4 (G4JS)	Gasolina	RWD	2351	101	137	02.03-04.04	*	
2.4 (G4JS)	Gasolina	RWD	2351	107	145	11.01-04.04	*	
2.6 LPI (D4BB)	Diesel/a utogas (LPG)	RWD	2607	63	86	10.97-04.04	*	
2.5 D (D4BF)	Diesel	RWD	2476	57	78	10.97-04.04	*	
2.5 D (D4BH)	Diesel	RWD	2476	57	78	10.97-04.04	*	
2.5 TD (D4BF)	Diesel	RWD	2476	59	80	06.97-04.04	*	
2.5 TD 4WD (D4BF)	Diesel	4WD	2476	59	80	02.98-04.04	*	
2.5 TD	Diesel	RWD	2476	63	85	10.97-08.02	*	
2.5 TCI (D4BH)	Diesel	RWD	2476	73	99	10.97-12.07	*	
2.5 TD 4WD (D4BH)	Diesel	4WD	2476	73	99	03.01-04.04	*	
2.5 TCI (D4BH)	Diesel	RWD	2476	74	101	05.04-12.07	*	
2.5 TD 4WD (D4BH)	Diesel	4WD	2476	74	101	11.01-04.04	*	
2.5 CRDi (D4CB)	Diesel	RWD	2497	103	140	12.02-09.07	*	
2.5 CRDi 4WD (D4CB)	Diesel	4WD	2497	103	140	12.02-04.04	*	
2.5 CRDi (D4CB)	Diesel	RWD	2497	120	163	12.02-04.04	*	
2.6 TDiC (D4BB)	Diesel	RWD	2607	63	86	10.97-04.04	*	
H100 / PORTER 05.96-10.04					Caja/Chasis (LCVs-N1 Segment)			
2.6 TD (D4BB)	Diesel	RWD	2607	63	86	05.96-12.97	*	
H-100 / PORTER 07.93-10.06					Caja/Chasis (LCVs-N1 Segment)			
2.6 TD (D4BB)	Diesel	RWD	2607	63	86	04.96-12.97	*	
H-100 II / BAKKI / HR / PORTER (HR) 01.04-					Caja/Chasis (LCVs-N1 Segment)			
2.5 TD (4D56-T)	Diesel	RWD	2477	74	101	11.06-	*	
2.5 TCI	Diesel	RWD	2497	71	97	01.04-	*	
2.5 CRDi (D4CB)	Diesel	RWD	2497	96	130	01.04-	*	
2.6 D (D4BB)	Diesel	RWD	2607	58	79	01.04-	*	