

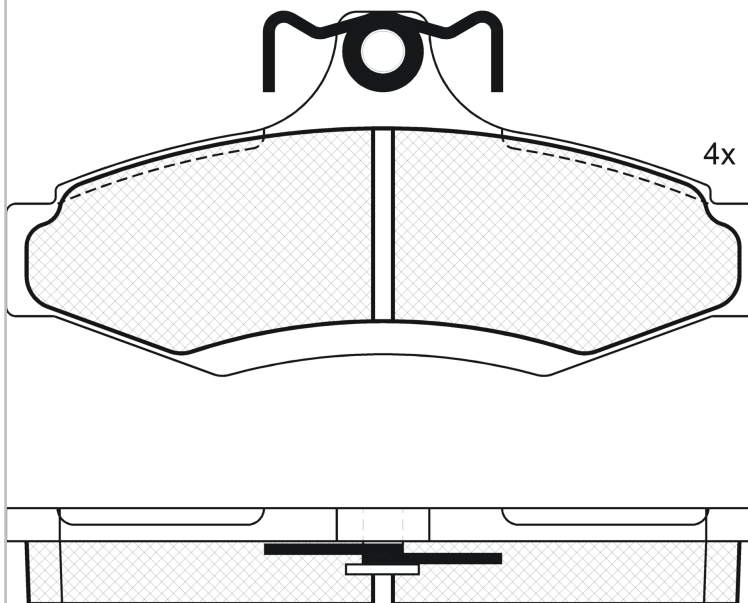
LISTA DE APLICACIONES - BUYERS GUIDE

**RB1261**



Qty: 944 Weight: 861

O.E.M.	MAKE
9624 5179	DAEWOO
9625 3368	DAEWOO
9639 1892	DAEWOO
AW 346 513	MITSUBISHI
S452 1001	DAEWOO
S452 1002	DAEWOO
S452 1006	DAEWOO



**RB1261**

**E1 90R-01100/158**





Lucas - Girling

113.7x55.56x14.6

WVA	FMSI
23237	D724-7591 D724-7669

Sin Filas



Trac.	CC	Kw	CV		
					Front / Rear

**CHEVROLET**

<b>ASTRA 09.98-12.11</b>					<b>[CAMBIADO]:Fastback (Compact car-C Segment)</b>			
2.0 (C 20 SEJ)	Gasolina	FWD	1998	82	112	03.99-07.02	*	
<b>ASTRA 10.98-12.11</b>					<b>Sedán (Compact car-C Segment)</b>			
2.0 GL (LE4(122CUL4))	Gasolina	FWD	1998	85	116	08.02-12.11	*	
<b>VECTRA 03.96-11.06</b>					<b>Sedán (Large family car-D Segment)</b>			
2.0 (L34(122CUL4))	Gasolina	FWD	1998	100	136	03.96-04.98	*	

**DAEWOO**

<b>LEGANZA (KLAV) 03.97-04.04</b>					<b>Sedán (Executive car-E Segment)</b>			
1.8 CD	Gasolina	FWD	1796	70	95	06.97-07.03	*	
2.0	Gasolina	FWD	1998	85	116	06.97-12.02	*	
2.0 16V (T20SED)	Gasolina	FWD	1998	93	126	07.00-04.04	*	
2.0 16V (X 20 SED)	Gasolina	FWD	1998	98	133	06.97-12.02	*	
2.0 (T20SED)	Gasolina	FWD	1998	133	181	01.01-12.02	*	
2.2 16V (T22SED)	Gasolina	FWD	2198	100	136	04.99-12.02	*	
<b>NUBIRA (J150) 06.99-10.03</b>					<b>[CAMBIADO]:Break (Compact car-C Segment)</b>			
1.6 16V (A16DMS)	Gasolina	FWD	1598	78	106	06.99-12.02	*	
2.0 16V (X 20 SED)	Gasolina	FWD	1998	98	133	06.99-07.02	*	
<b>NUBIRA (J100) 04.97-</b>					<b>[CAMBIADO]:Fastback (Compact car-C Segment)</b>			
1.6 (A16DMS)	Gasolina	FWD	1598	76	103	08.02-07.03	*	
1.6 16V (A16DMS)	Gasolina	FWD	1598	78	106	06.99-07.02	*	
2.0 CDX (T20SED)	Gasolina	FWD	1998	93	126	08.02-07.03	*	

# LISTA DE APLICACIONES - BUYERS GUIDE

2.0 16V (Z20L)		Gasolina	FWD	1998	98	133	05.97-	*
2.0 16V (X 20 SED)		Gasolina	FWD	1998	98	133	06.99-07.02	*
<b>NUBIRA (J100) 04.97-</b>				<b>Sedán (Compact car-C Segment)</b>				
1.6 16V (A16DMS)		Gasolina	FWD	1598	76	103	07.00-	*
1.6 16V (A16DMS)		Gasolina	FWD	1598	78	106	05.97-05.99	*
1.6 16V (A16DMS)		Gasolina	FWD	1598	78	106	06.99-07.02	*
1.8 16V		Gasolina	FWD	1796	100	136	04.97-05.99	*
2.0 (C20SED)		Gasolina	FWD	1998	81	110	06.99-07.03	*
2.0 16V (T20SED)		Gasolina	FWD	1998	93	126	12.00-	*
2.0 16V (X 20 SED)		Gasolina	FWD	1998	98	133	05.97-	*
2.0 16V (X 20 SED)		Gasolina	FWD	1998	98	133	06.99-07.02	*
<b>NUBIRA Wagon (J100) 04.97-</b>				<b>[CAMBIADO]:Break (Compact car-C Segment)</b>				
1.6 16V (A16DMS)		Gasolina	FWD	1598	76	103	12.00-	*
2.0 16V (T20SED)		Gasolina	FWD	1998	93	126	12.00-	*
2.0 16V (X 20 SED)		Gasolina	FWD	1998	98	133	05.97-	*
<b>MITSUBISHI</b>								
<b>DIAMANTE (F_W) 06.92-03.99</b>				<b>[CAMBIADO]:Break (Luxury car-F Segment)</b>				
3.0 (F36W) (6G72 (SOHC 24V))		Gasolina	FWD	2972	140	190	10.97-12.01	*
3.5		Gasolina	FWD	3497	157	214	06.92-03.98	*
3.5		Gasolina	FWD	3497	157	214	06.92-03.98	*
3.5 (KE8H, KF8H)		Gasolina	FWD	3497	163	222	04.96-03.99	*
<b>DIAMANTE (F2_A, F1_A) 02.90-07.96</b>				<b>Sedán (Luxury car-F Segment)</b>				
2.5 (F13A, F15A)		Gasolina	FWD	2497	129	175	05.90-07.96	*
3.0		Gasolina	FWD	2972	177	241	10.95-07.96	*
3.5		Gasolina	FWD	3497	157	214	10.95-07.96	*
<b>DIAMANTE II (F4_A, F3_A) 11.94-11.05</b>				<b>Sedán (Luxury car-F Segment)</b>				
2.5 (F31A) (6G73)		Gasolina	FWD	2497	147	200	09.99-08.04	*
2.5 (F34A)		Gasolina	FWD	2498	125	170	09.03-11.05	*
2.5 (F34A) (6A13)		Gasolina	FWD	2498	151	205	09.03-11.05	*
3.0 (F36A)		Gasolina	FWD	2972	140	190	06.99-09.02	*
3.0 (F36A)		Gasolina	FWD	2972	177	241	10.01-08.04	*
3.0 4WD (F46A)		Gasolina	4WD	2972	177	241	10.01-08.04	*
3.5		Gasolina	FWD	3497	157	214	10.02-11.05	*
3.5 (KJ9H, KL9H, KW9H)		Gasolina	FWD	3497	157	214	10.02-11.05	*
3.5		Gasolina	FWD	3497	163	222	06.99-09.02	*
3.5		Gasolina	FWD	3497	163	222	06.99-09.02	*
<b>MAGNA II (TR) 03.91-02.94</b>				<b>Sedán (Executive car-E Segment)</b>				
2.6		Gasolina	FWD	2554	114	155	05.91-02.94	*
2.6		Gasolina	FWD	2555	85	116	10.91-02.94	*
<b>MAGNA III (TE) 04.96-06.97</b>				<b>[CAMBIADO]:Break (Executive car-E Segment)</b>				
3.0 i (6G72 (SOHC 24V))		Gasolina	FWD	2972	140	190	04.96-06.97	*
3.0 i (6G72 (SOHC 24V))		Gasolina	FWD	2972	140	190	06.97-03.99	*
3.0 i (6G72 (SOHC 24V))		Gasolina	FWD	2972	140	190	03.99-08.00	*
3.0 i		Gasolina	FWD	2972	140	190	08.00-07.02	*
3.0 GDi		Gasolina	FWD	2972	158	215	06.98-03.99	*
3.0 GDi		Gasolina	FWD	2972	158	215	06.99-08.00	*
3.5		Gasolina	FWD	3497	147	200	03.99-08.00	*
3.5		Gasolina	FWD	3497	147	200	06.99-08.00	*

# LISTA DE APLICACIONES - BUYERS GUIDE

3.5 i 4WD	Gasolina	4WD	3497	155	211	08.00-05.03	*
3.5 i	Gasolina	FWD	3497	157	214	10.04-07.05	*
3.5 i Sports VR-X	Gasolina	FWD	3497	163	222	08.00-05.03	*
<b>MAGNA III (TE) 04.96-06.97</b>				<b>Sedán (Executive car-E Segment)</b>			
3.5	Gasolina	FWD	3497	157	213	04.96-06.97	*
<b>VERADA II (KR) 05.91-02.94</b>				<b>[CAMBIADO]:Break (Executive car-E Segment)</b>			
2.6	Gasolina	FWD	2555	114	155	05.91-10.92	*
2.8	Gasolina	FWD	2784	125	170	06.92-02.94	*
<b>VERADA II (KR) 05.91-03.94</b>				<b>Sedán (Executive car-E Segment)</b>			
2.6 i	Gasolina	FWD	2555	114	155	05.91-02.94	*
3.0 i	Gasolina	FWD	2972	125	170	07.91-02.94	*
<b>VERADA III (KJ) 08.00-05.03</b>				<b>Sedán (Executive car-E Segment)</b>			
3.5	Gasolina	FWD	3497	163	222	08.00-05.03	*
3.5 i (6G74 (SOHC 24V))	Gasolina	FWD	3497	163	222	06.03-10.04	*