

LISTA DE APLICACIONES - BUYERS GUIDE

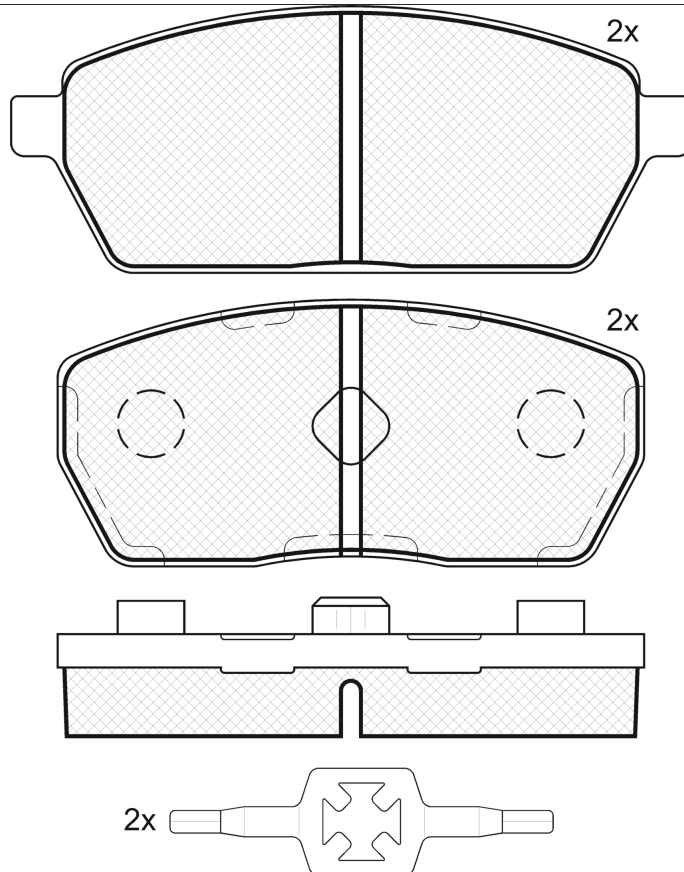
RB1251



8 424073 128188

Qty: 300

Weight: 805



1 - Ref. 640103 E

RB1251



Akebono

88x40x15.3

102x40x15.3

WVA

23303

23304

Sin Filas



Trac.	CC	Kw	CV
-------	----	----	----



Front / Rear

FORD

GALAXY (BRASIL) 01.94-12.95

MPV (Large MPV-M1 Segment)

1.5	Gasolina	FWD	1495	33	45	01.94-	*
-----	----------	-----	------	----	----	--------	---

GME

RASCAL 08.85-12.95

[CAMBIADO]:Furgón (LCVs-N1 Segment)

1.0	Gasolina	RWD	970	33	45	08.85-08.92	*
1.0	Gasolina	RWD	970	34	46	09.92-12.95	*

RASCAL 08.85-12.95

Bus (Minibus-M2-Segment)

1.0	Gasolina	RWD	970	33	45	08.85-08.92	*
1.0	Gasolina	RWD	970	34	46	09.92-12.95	*

RASCAL 08.85-12.95

Caja/Chasis (LCVs-N1 Segment)

1.0	Gasolina	RWD	970	33	45	08.85-08.92	*
1.0	Gasolina	RWD	970	34	46	09.92-12.95	*

OPEL

RASCAL 01.84-

Caja/Chasis (LCVs-N1 Segment)

1.0	Gasolina	FWD	995	33	45	01.84-	*
1.0 GL, HR	Gasolina	FWD	995	33	45	01.84-	*

SUZUKI

CARRY IX 10.95-03.99

[CAMBIADO]:Furgón (LCVs-N1 Segment)

1.0 (F10A)	Gasolina	RWD	970	29	39	11.96-03.99	*
------------	----------	-----	-----	----	----	-------------	---

CARRY IX 01.91-01.99

Caja/Chasis (LCVs-N1 Segment)

1.0 (F10A)	Gasolina	RWD	970	30	41	08.92-01.99	*
------------	----------	-----	-----	----	----	-------------	---

LISTA DE APLICACIONES - BUYERS GUIDE

SUPER CARRY (ED) 07.85-03.99					Bus (Minibus-M2-Segment)			
1.0 (SK410) (F10A)	Gasolina	RWD	970	30	41	09.94-03.99	*	
1.0 (SK410) (F10A)	Gasolina	RWD	970	31	42	10.92-03.99	*	
1.0 (SK410) (F10A)	Gasolina	RWD	970	33	45	10.85-03.99	*	