

LISTA DE APLICACIONES - BUYERS GUIDE

RB1250

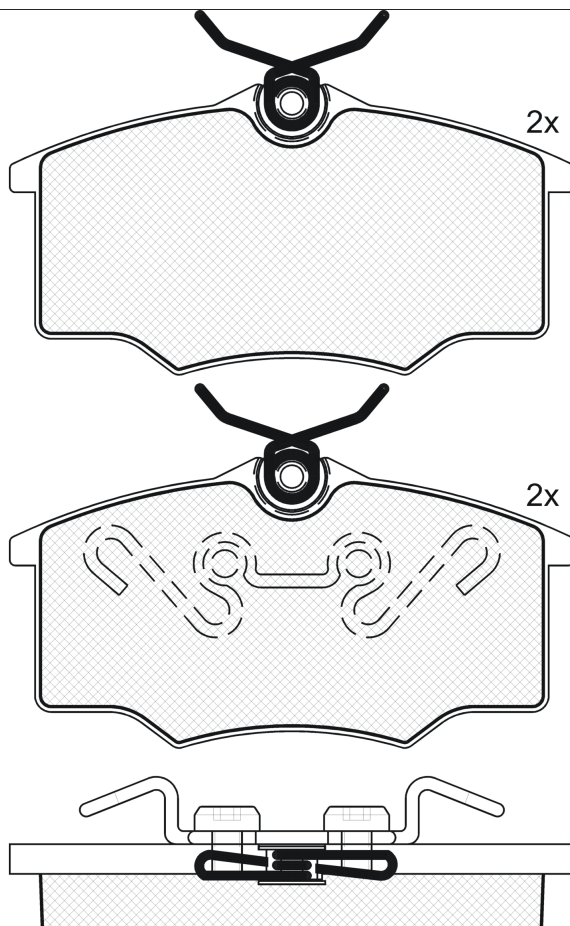


8 424073 128171

Qty: 300

Weight: 1.145

O.E.M.	MAKE
16 05 021	VAUXHALL
2-479950/8G	VW
377 698 151	VW
377 698 151 E	VW
377 698 151 J	VW
377 698 151 K	VW
86 60 004 790	RENAULT
86 71 019 120	RENAULT
93 267 112	OPEL
93 273 400	OPEL



RB1250



Delco Moraine

104.2x53.6x15.7

WVA	FMSI
23546	D1173-8284
23547	

Sin Filas



Trac.	CC	Kw	CV	Front / Rear

OPEL

CORSA B (S93) 04.98-12.02							[CAMBIADO]:Break (Supermini car-B Segment)		
1.7 D (F35) (X 17 D)		Diesel	FWD	1686	44	60	01.99-12.02	*	

CORSA B (S93) 08.94-12.01							Furgón/hatchback (LCVs-N1 Segment)		
1.4 i (F08, W5L) (C 14 NZ)		Gasolina	FWD	1389	44	60	08.99-09.00	*	
1.4 i (F08, W5L) (X 14 SZ)		Gasolina	FWD	1389	44	60	08.99-09.00	*	
1.7 D (F08, W5L) (17 D (4EE1))		Diesel	FWD	1686	44	60	08.99-09.00	*	
1.7 D (F08, W5L) (X 17 D (4EE1))		Diesel	FWD	1686	44	60	08.99-09.00	*	

CORSA B / VITA B (S93) 03.93-10.09							[CAMBIADO]:Fastback (Supermini car-B Segment)		
1.0		Gasolina	FWD	995			03.93-	*	
1.4		Gasolina	FWD	1395			03.93-	*	
1.6		Gasolina	FWD	1595			03.93-	*	
1.6		Gasolina	FWD	1595			03.93-	*	

IPANEMA (BRASIL) 01.96-							[CAMBIADO]:Furgón (LCVs-N1 Segment)		
1.8		Gasolina	FWD	1795			01.96-	*	
2.0		Gasolina	FWD	1995			01.96-	*	

KADETT BRASIL 01.96-							[CAMBIADO]:Fastback (Compact car-C Segment)		
1.8		Gasolina	FWD	1795			01.96-	*	
2.0		Gasolina	FWD	1995			01.96-	*	

VAUXHALL

CORSAVAN Mk I (B) (S93) 01.94-09.00							Furgón/hatchback (LCVs-N1 Segment)		
1.4 i (C 14 NZ)		Gasolina	FWD	1389	44	60	01.94-09.00	*	

LISTA DE APLICACIONES - BUYERS GUIDE

1.4 i (X 14 SZ)		Gasolina	FWD	1389	44	60	01.94-09.00	*
1.7 D (X 17 D)		Diesel	FWD	1686	44	60	01.94-09.00	*
VW								
GOL II 06.94-06.05						[CAMBIADO]:Fastback (Supermini car-B Segment)		
1.6 Country Mi		Gasolina	FWD	1595			06.94-	*
1.6 GL Mi, Full		Gasolina	FWD	1595			06.94-	*
1.6 Plus Mi		Gasolina	FWD	1595			06.94-	*
1.6 (BW1, BX1) (BWX)		Gasolina	FWD	1595	73	99	12.99-06.10	*
1.8		Gasolina	FWD	1795			06.94-	*
1.8 Country Mi		Gasolina	FWD	1795			06.94-	*
1.8 GL Mi		Gasolina	FWD	1795			06.94-	*
2.0 GTI 16V		Gasolina	FWD	1995			06.94-	*
1.6 GLD Base, Full		Diesel	RWD	1595			06.94-	*
1.6 Plus D		Diesel	RWD	1595			06.94-	*
PARATI II Variant / GOL COUNTRY II 05.95-08.05						[CAMBIADO]:Break (Large family car-D Segment)		
1.4		Gasolina	FWD	1390	62	84	08.95-07.99	*
1.6 (AFX)		Gasolina	FWD	1595	74	101	08.95-07.99	*
PARATI III Variant / GOL COUNTRY III (5X5) 05.99-						[CAMBIADO]:Break (Large family car-D Segment)		
1.0 (AZP)		Gasolina	FWD	999	56	76	08.02-	*
1.0		Gasolina	FWD	999	82	112	08.02-	*
1.6		Gasolina	FWD	1595	67	91	09.03-	*
1.6		Gasolina	FWD	1598	68	92	07.03-07.05	*
1.6		Gasolina	FWD	1598	73	99	08.02-07.05	*
1.8 (UDH)		Gasolina	FWD	1781	73	99	08.02-	*
2.0		Gasolina	FWD	1984	82	112	07.03-	*
1.9 D		Diesel	RWD	1896	47	64	08.02-	*
1.9 SDI		Diesel	RWD	1896	47	64	08.02-	*
SAVEIRO (147) 07.82-11.97						Pick-up (Pick-Up Truck)		
1.6 (1F)		Gasolina	FWD	1595	55	75	08.90-07.96	*
1.6 (EW)		Gasolina	FWD	1595	55	75	08.90-07.96	*
1.6 D		Diesel	RWD	1588	59	80	08.91-07.96	*
SAVEIRO II (9U7) 01.96-09.03						Pick-up (Pick-Up Truck)		
1.6		Gasolina	FWD	1595	55	75	07.97-02.02	*
1.8 (UDH)		Gasolina	FWD	1781	73	99	08.96-12.99	*
SAVEIRO III 02.00-07.10						Pick-up (Pick-Up Truck)		
1.6		Gasolina	FWD	1595	68	92	03.02-09.05	*
1.8		Gasolina	FWD	1781	73	99	03.02-09.05	*
SAVEIRO IV 02.05-08.09						Caja/Chasis (LCVs-N1 Segment)		
1.6 Flex		Gasolina	FWD	1595	73	99	03.02-	*
2.0		Gasolina	FWD	1984	82	112	03.02-	*
SAVEIRO V (5U8, 5U9) 09.09-						Pick-up (Pick-Up Truck)		
1.6		Gasolina	FWD				09.10-	*
1.6		Gasolina	FWD	1598	74	101	09.09-	*
1.6 TotalFlex		Gasolina	FWD	1598	74	101	09.09-	*
1.6 Flex		Gasolina	FWD	1598	77	105	09.09-	*
1.6		Gasolina	FWD	1598	82	112	09.15-	*

LISTA DE APLICACIONES - BUYERS GUIDE

VOYAGE II (5X1) 10.94-07.02					Sedán (Supermini car-B Segment)			
1.0	Gasolina	FWD	999	37	50	08.96-12.01	*	
1.4	Gasolina	FWD	1390	62	84	05.96-07.02	*	
1.6	Gasolina	FWD	1555	56	76	10.94-05.02	*	
1.6	Gasolina	FWD	1595	65	88	05.96-09.01	*	
1.8	Gasolina	FWD	1781	73	99	10.94-05.02	*	
1.8 GLS	Gasolina	FWD	1781	77	105	04.98-05.02	*	
1.8	Gasolina	FWD	1781	82	111	08.00-07.02	*	
1.8	Gasol./el éc.	FWD	1781	74	101	05.96-09.01	*	
1.9 D	Diesel	RWD	1896	48	65	06.96-09.01	*	
1.9 TDI	Diesel	RWD	1896	66	90	09.99-09.01	*	