

LISTA DE APLICACIONES - BUYERS GUIDE

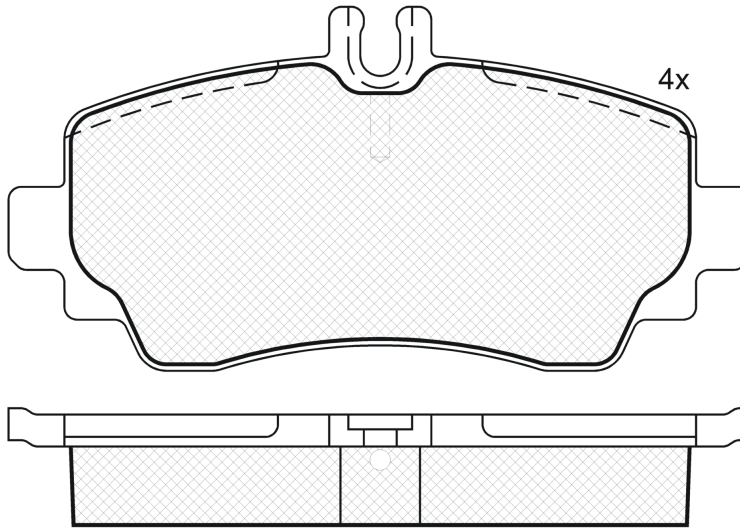
RB1233-701



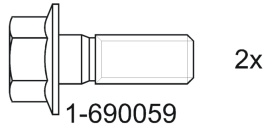
Qty: 300

Weight: 1.205

O.E.M.	MAKE
168 420 00 20	MERCEDES-BENZ
168 420 01 20	MERCEDES-BENZ
168 420 07 20	MERCEDES-BENZ
168 420 08 20	MERCEDES-BENZ
168 420 11 20	MERCEDES-BENZ
168 420 12 20	MERCEDES-BENZ
168 420 13 20	MERCEDES-BENZ
168 420 14 20	MERCEDES-BENZ
168 420 15 20	MERCEDES-BENZ
86 60 004 618	RENAULT
86 71 016 526	RENAULT



181233-701



RB1233-701



E1 90R-01101/089

Lucas - Girling

116.45x57.1x17

VVA	FMSI
23070	D1250-8368

Sin Filas



Trac.	CC	Kw	CV
-------	----	----	----



Front / Rear

MERCEDES-BENZ

A-Class (W168) 07.97-12.06							[CAMBIADO]:Fastback (Compact car-C Segment)		
A 140 (168.031, 168.131) (M 166.940)		Gasolina	FWD	1397	60	82	07.97-08.04	*	
A 140 (168.031, 168.131) (M 166.960)		Gasolina	FWD	1598	60	82	01.01-08.04	*	
A 160 (168.033, 168.133) (M 166.960)		Gasolina	FWD	1598	75	102	07.97-08.04	*	
A 190 (168.032, 168.132) (M 166.990)		Gasolina	FWD	1898	92	125	03.99-08.04	*	
A 38 AMG Twin Engine (168.032)		Gasolina	FWD	1898	184	250	04.99-02.01	*	
A 210 (168.035, 168.135) (M 166.995)		Gasolina	FWD	2084	103	140	12.01-08.04	*	
A 160 CDI (168.007) (OM 668.941)		Diesel	FWD	1689	44	60	07.98-02.01	*	
A 160 CDI (168.006) (OM 668.940)		Diesel	FWD	1689	55	75	02.01-08.04	*	
A 170 CDI (168.008) (OM 668.940)		Diesel	FWD	1689	66	90	07.98-02.01	*	
A 170 CDI (168.009, 168.109) (OM 668.942)		Diesel	FWD	1689	70	95	02.01-08.04	*	