

LISTA DE APLICACIONES - BUYERS GUIDE

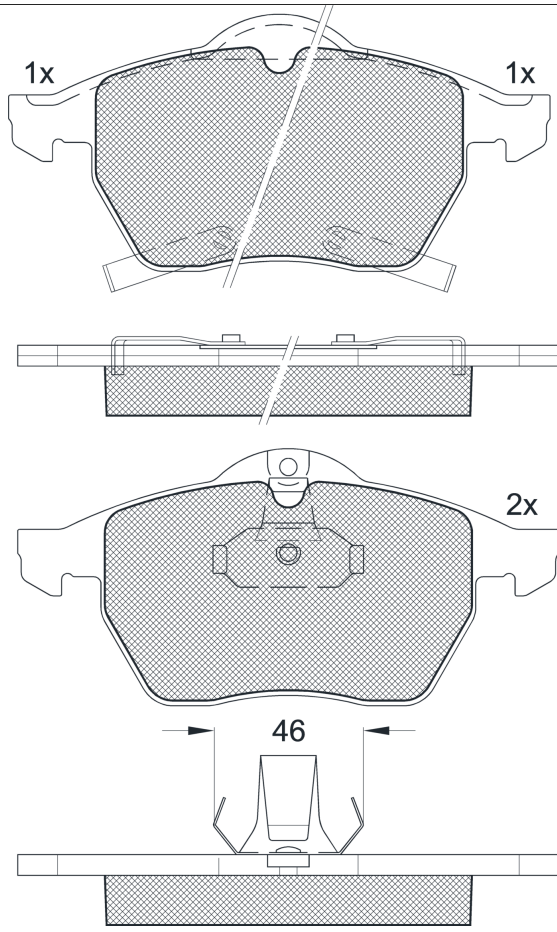
RB1218



Qty: 300

Weight: 2.080

O.E.M.	MAKE
49 07 739	SAAB
52 32 350	SAAB



RB1218



Ate - Teves

155.1x74.1x20.3
156.4x74.1x20.3

WVA	FMSI
21828	D800-7605
21829	D936-7605
23115	
23116	
23117	

Sin Filas



	Trac.	CC	Kw	CV			Front / Rear
--	-------	----	----	----	--	--	--------------

BAIC

SENOVA D60 05.13-								Sedán ()
1.8 (B185RGA)		Gasolina	FWD	1799	130	177	05.13-	*
2.0 (B205RGA)		Gasolina	FWD	1992	150	204	08.14-	*
SENOVA D70 05.13-12.18								Sedán ()
1.8 (B185R)		Gasolina	FWD	1799	130	177	05.13-12.18	*
2.0 (B205RGA)		Gasolina	FWD	1992	150	204	05.13-12.18	*
2.3 (B235RGA)		Gasolina	FWD	2290	184	250	05.13-12.18	*
SENOVA D80 04.15-								Sedán ()
1.8 T (B185RGA)		Gasolina	FWD	1799	130	177	04.15-	*
2.0 T (B205RGA)		Gasolina	FWD	1992	150	204	04.15-	*
2.2 T (B235RGA)		Gasolina	FWD	2290	184	250	04.15-	*

SAAB

9-3 (YS3D) 02.98-08.03								[CAMBIADO]: Fastback (Compact executive car-D Segment)
2.0 i (B204I)		Gasolina	FWD	1985	96	131	02.98-09.02	*
2.0 Turbo (B205E)		Gasolina	FWD	1985	110	150	03.99-09.02	*
2.0 Turbo (B204E)		Gasolina	FWD	1985	113	154	10.98-09.02	*
2.0 Turbo (B204L)		Gasolina	FWD	1985	136	185	02.98-09.02	*
2.0 Turbo (B205E)		Gasolina	FWD	1985	136	185	02.98-09.02	*
2.0 Turbo (B205L)		Gasolina	FWD	1985	136	185	02.98-09.02	*
2.0 SE Turbo (B204R)		Gasolina	FWD	1985	147	200	02.98-09.02	*
2.0 Turbo (B205R)		Gasolina	FWD	1985	151	205	10.99-09.02	*
2.3 i (B234I)		Gasolina	FWD	2290	110	150	02.98-09.02	*
2.3 Turbo (B235R)		Gasolina	FWD	2290	165	224	10.98-09.02	*

LISTA DE APLICACIONES - BUYERS GUIDE

2.3 (B235R)		Gasolina	FWD	2290	169	230	09.99-01.02	*	
2.2 TiD (D223L)		Diesel	FWD	2171	85	115	02.98-11.00	*	
2.2 TiD (X 22 DTH)		Diesel	FWD	2171	85	115	02.98-11.00	*	
2.2 TiD (D223L)		Diesel	FWD	2171	92	125	11.00-09.02	*	
9-3 (YS3D) 02.98-08.03							Cabrio (Compact executive car-D Segment)		
2.0 i (B204I)		Gasolina	FWD	1985	96	131	02.98-08.03	*	
2.0 Turbo (B205E)		Gasolina	FWD	1985	110	150	01.01-08.03	*	
2.0 Turbo (B204E)		Gasolina	FWD	1985	113	154	10.98-08.03	*	
2.0 Turbo (B204L)		Gasolina	FWD	1985	136	185	02.98-08.03	*	
2.0 Turbo (B205E)		Gasolina	FWD	1985	136	185	02.98-08.03	*	
2.0 Turbo (B205L)		Gasolina	FWD	1985	136	185	02.98-08.03	*	
2.0 SE Turbo (B204R)		Gasolina	FWD	1985	147	200	02.98-08.03	*	
2.0 Turbo (B205R)		Gasolina	FWD	1985	151	205	10.99-08.03	*	
2.3 i (B234I)		Gasolina	FWD	2290	110	150	02.98-08.03	*	
2.3 Turbo (B235R)		Gasolina	FWD	2290	165	224	10.99-08.03	*	
2.3 (B235R)		Gasolina	FWD	2290	169	230	09.99-01.02	*	
9-5 (YS3E) 10.98-12.09							[CAMBIADO]:Break (Executive car-E Segment)		
2.0 T (B205E)		Gasolina	FWD	1985	110	150	10.98-12.09	*	
2.0 T (B205L)		Gasolina	FWD	1985	136	185	07.00-07.01	*	
2.0 T (B205E)		Gasolina	FWD	1985	141	192	10.98-07.00	*	
2.3 T (B235E)		Gasolina	FWD	2290	125	170	10.98-12.09	*	
2.3 T (B235E)		Gasolina	FWD	2290	136	185	01.01-12.09	*	
2.3 Turbo (B235R)		Gasolina	FWD	2290	169	230	10.99-09.01	*	
2.3 Turbo (B235R)		Gasolina	FWD	2290	184	250	09.01-12.09	*	
3.0 V6t (B308E)		Gasolina	FWD	2962	147	200	10.98-08.05	*	
3.0 TiD (D308L)		Diesel	FWD	2958	130	177	07.01-08.05	*	
9-5 (YS3E) 09.97-12.11							Sedán (Executive car-E Segment)		
2.0 T (B205E)		Gasolina	FWD	1985	110	150	09.97-12.09	*	
2.0 T (B205L)		Gasolina	FWD	1985	136	185	07.00-12.09	*	
2.0 Turbo SE (B205E)		Gasolina	FWD	1985	141	192	10.98-07.00	*	
2.3 T (B235E)		Gasolina	FWD	2290	125	170	09.97-12.03	*	
2.3 T (B235E)		Gasolina	FWD	2290	136	185	01.01-12.09	*	
2.3 Turbo (B235R)		Gasolina	FWD	2290	169	230	10.99-09.01	*	
2.3 Turbo (B235R)		Gasolina	FWD	2290	184	250	09.01-12.09	*	
3.0 V6t (B308E)		Gasolina	FWD	2962	147	200	01.98-08.05	*	
3.0 TiD (D308L)		Diesel	FWD	2958	130	177	07.01-08.05	*	