

# LISTA DE APLICACIONES - BUYERS GUIDE

## RB1216-700

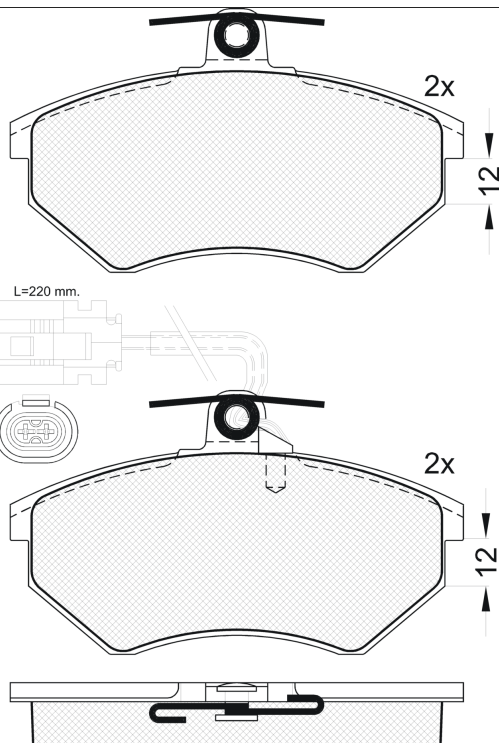


8 424073 127778

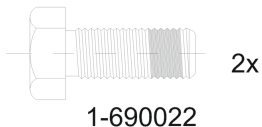
Qty: 300

Weight: 1.366

O.E.M.	MAKE
357 698 151 C	VW
86 60 0048 14	RENAULT
86 71 019 152	RENAULT



## 181216-700



## RB1216-700



Lucas - Girling

118.9x69.6x16.3

WVA
20167
20168
21366

Sin Filas



Trac.	CC	Kw	CV
-------	----	----	----



Front / Rear

### VW

					[CAMBIADO]:Fastback (Compact car-C Segment)				
<b>GOLF III (1H1) 10.89-11.00</b>									
1.6 (AEK)		Gasolina	FWD	1595	74	101	07.95-08.97	*	
1.6 (AFT)		Gasolina	FWD	1595	74	101	07.95-08.97	*	
1.6 (AKS)		Gasolina	FWD	1595	74	101	07.95-08.97	*	
2.0 (AAC)		Gasolina	FWD	1968	62	84	08.92-07.98	*	
2.0 (2E)		Gasolina	FWD	1984	85	115	11.91-08.97	*	
2.0 (ABA)		Gasolina	FWD	1984	85	115	11.91-08.97	*	
2.0 (ADC)		Gasolina	FWD	1984	85	115	11.91-08.97	*	
2.0 (ADY)		Gasolina	FWD	1984	85	115	11.91-08.97	*	
2.0 (AGG)		Gasolina	FWD	1984	85	115	11.91-08.97	*	
2.0 (AKR)		Gasolina	FWD	1984	85	115	11.91-08.97	*	
2.0 GTI 16V (ABF)		Gasolina	FWD	1984	110	150	08.92-12.97	*	
2.8 VR6 (AAA)		Gasolina	FWD	2792	128	174	01.92-08.97	*	
1.9 TDI (1Z)		Diesel	FWD	1896	66	90	08.93-12.97	*	
1.9 TDI (AHU)		Diesel	FWD	1896	66	90	08.93-12.97	*	
1.9 TDI (ALE)		Diesel	FWD	1896	66	90	08.93-12.97	*	
<b>GOLF III Van (1H1) 08.91-12.97</b>					<b>Furgón/hatchback (Compact car-C Segment)</b>				
2.0 GTI (ABF)		Gasolina	FWD	1984	110	150	08.91-09.97	*	
<b>GOLF III Variant (1H5) 07.93-04.99</b>					<b>[CAMBIADO]:Break (Compact car-C Segment)</b>				
2.0 (2E)		Gasolina	FWD	1984	85	115	07.93-04.99	*	
2.0 (ADY)		Gasolina	FWD	1984	85	115	07.93-04.99	*	
2.0 (AGG)		Gasolina	FWD	1984	85	115	07.93-04.99	*	
2.0 (AKR)		Gasolina	FWD	1984	85	115	07.93-04.99	*	

## LISTA DE APLICACIONES - BUYERS GUIDE

<b>VENTO / JETTA III (1H2) 11.91-11.00</b>					<b>Sedán (Compact car-C Segment)</b>			
2.0 (2E)		Gasolina	FWD	1984	85	115	11.91-09.98	*
2.0 (ABA)		Gasolina	FWD	1984	85	115	11.91-09.98	*
2.0 (ADY)		Gasolina	FWD	1984	85	115	11.91-09.98	*
2.0 (AGG)		Gasolina	FWD	1984	85	115	11.91-09.98	*
2.0 (AKR)		Gasolina	FWD	1984	85	115	11.91-09.98	*
2.8 VR6 (AAA)		Gasolina	FWD	2792	120	163	08.95-04.96	*
2.8 VR6 (AAA)		Gasolina	FWD	2792	120	163	01.92-09.98	*
2.8 VR6 (AAA)		Gasolina	FWD	2792	128	174	01.92-09.98	*
1.9 D (1Y)		Diesel	FWD	1896	48	65	11.91-09.98	*