

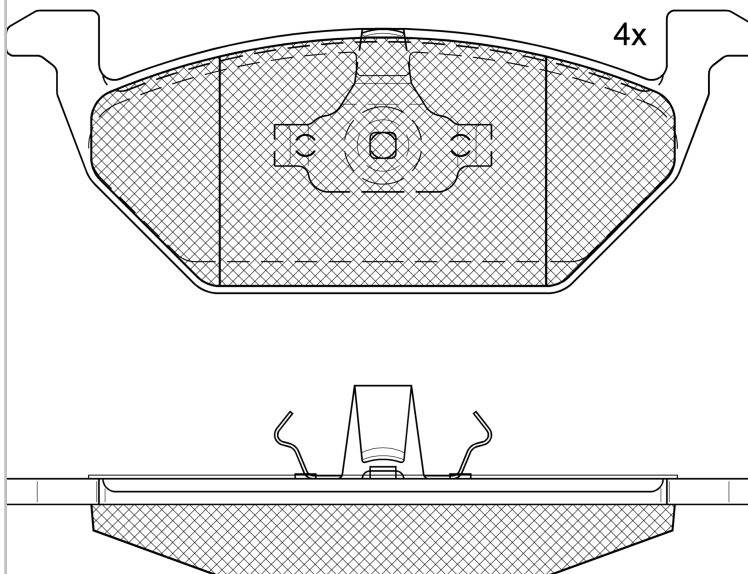
LISTA DE APLICACIONES - BUYERS GUIDE

RB1184



Qty: 300 Weight: 1.536

O.E.M.	MAKE
1J0 615 115	VW
5Z0 698 151 A	VW



RB1184

E1 90R-01101/065



Ate - Teves

146x54.7x19.5

WVA	FMSI
21974	D768-7635
23130	

Sin Filas



Trac.	CC	Kw	CV
-------	----	----	----



Front / Rear

AUDI

						[CAMBIADO]:Fastback (Compact executive car-D Segment)		
A3 (8L1) 09.96-09.06								
1.6 (AEH)		Gasolina	FWD	1595	74	101	09.96-05.03	*
1.6 (AKL)		Gasolina	FWD	1595	74	101	09.96-05.03	*
1.6 (APF)		Gasolina	FWD	1595	74	101	09.96-05.03	*

SEAT

						Sedán (Supermini car-B Segment)		
CORDOBA II (6K2) 06.99-10.02								
1.6		Gasolina	FWD	1595	74	101	06.99-10.02	*
1.9 TDI		Diesel	FWD	1896	66	90	06.99-10.02	*
1.9 TDI		Diesel	FWD	1896	81	110	06.99-10.02	*

						Sedán (Compact car-C Segment)		
TOLEDO II (1M2) 10.98-05.06								
1.4 16V (AHW)		Gasolina	FWD	1390	55	75	01.00-05.02	*
1.4 16V (APE)		Gasolina	FWD	1390	55	75	01.00-05.02	*
1.4 16V (AXP)		Gasolina	FWD	1390	55	75	01.00-05.02	*
1.4 16V (BCA)		Gasolina	FWD	1390	55	75	01.00-05.02	*
1.6 (AEH)		Gasolina	FWD	1595	74	100	10.98-07.04	*
1.6 (AKL)		Gasolina	FWD	1595	74	100	10.98-07.04	*
1.9 SDI		Diesel	RWD	1896	50	68	11.99-06.04	*
1.9 TDI (AGR)		Diesel	FWD	1896	66	90	03.99-07.04	*
1.9 TDI (ALH)		Diesel	FWD	1896	66	90	03.99-07.04	*
1.9 TDI (AHF)		Diesel	FWD	1896	81	110	10.98-07.04	*
1.9 TDI (ASV)		Diesel	FWD	1896	81	110	10.98-07.04	*

SKODA

LISTA DE APLICACIONES - BUYERS GUIDE

OCTAVIA (1U2) 09.96-12.10					[CAMBIADO]:Fastback (Compact car-C Segment)			
1.4 (AMD)		Gasolina	FWD	1397	44	60	04.99-03.01	*
1.6 (AEH)		Gasolina	FWD	1595	74	101	02.97-12.07	*
1.6 (AKL)		Gasolina	FWD	1595	74	101	02.97-12.07	*
1.6 (AEE)		Gasolina	FWD	1598	55	75	09.96-09.04	*
OCTAVIA Combi (1U5) 07.98-12.10					[CAMBIADO]:Break (Compact car-C Segment)			
1.6 (AEH)		Gasolina	FWD	1595	74	101	07.98-12.07	*
1.6 (AKL)		Gasolina	FWD	1595	74	101	07.98-12.07	*
1.6 (AEE)		Gasolina	FWD	1598	55	75	07.98-09.04	*
VW								
BORA / JETTA IV (1J2) 10.98-12.13					Sedán (Compact car-C Segment)			
1.6 (AEH)		Gasolina	FWD	1595	74	101	10.98-05.05	*
1.6 (AKL)		Gasolina	FWD	1595	74	101	10.98-05.05	*
1.6 (APF)		Gasolina	FWD	1595	74	101	10.98-05.05	*
1.9 SDI (AGP)		Diesel	FWD	1896	50	68	10.98-05.05	*
1.9 SDI (AQM)		Diesel	FWD	1896	50	68	10.98-05.05	*
BORA Variant / JETTA IV (1J6) 05.99-05.05					[CAMBIADO]:Break (Compact car-C Segment)			
1.6 (AEH)		Gasolina	FWD	1595	74	100	05.99-05.05	*
1.6 (AKL)		Gasolina	FWD	1595	74	100	05.99-05.05	*
1.6 (APF)		Gasolina	FWD	1595	74	100	05.99-05.05	*
FOX II (5Z1, 5Z3, 5Z4, 5Z5) 08.03-					[CAMBIADO]:Fastback (City car-A Segment)			
1.6 (BAH)		Gasolina	FWD	1598	74	101	10.03-10.21	*
1.6 (BJA)		Gasolina	FWD	1598	74	101	10.03-10.21	*
1.6 (BLH)		Gasolina	FWD	1598	74	101	10.03-10.21	*
1.6 (BPA)		Gasolina	FWD	1598	74	101	10.03-10.21	*
1.6 (CFZA)		Gasolina	FWD	1598	74	101	10.03-10.21	*
GOLF IV (1J1) 08.97-04.08					[CAMBIADO]:Fastback (Compact car-C Segment)			
1.0		Gasolina	FWD	998	51	69	08.97-05.02	*
1.0 Turbo		Gasolina	FWD	998	82	111	08.97-05.02	*
1.4 16V (AHW)		Gasolina	FWD	1390	55	75	10.97-05.04	*
1.4 16V (AKQ)		Gasolina	FWD	1390	55	75	10.97-05.04	*
1.4 16V (APE)		Gasolina	FWD	1390	55	75	10.97-05.04	*
1.4 16V (AXP)		Gasolina	FWD	1390	55	75	10.97-05.04	*
1.4 16V (BCA)		Gasolina	FWD	1390	55	75	10.97-05.04	*
1.6 (AEH)		Gasolina	FWD	1595	74	100	08.97-05.04	*
1.6 (AKL)		Gasolina	FWD	1595	74	100	08.97-05.04	*
1.6 (APF)		Gasolina	FWD	1595	74	100	08.97-05.04	*
1.6 (BAH)		Gasolina	FWD	1598	74	101	02.01-03.07	*
1.0		Gasol./el éc.	FWD	998	43	58	08.98-05.02	*
1.6 D		Diesel	RWD	1588	40	54	08.97-07.98	*
1.9 SDI (AGP)		Diesel	FWD	1896	50	68	08.97-06.05	*
1.9 SDI (AQM)		Diesel	FWD	1896	50	68	08.97-06.05	*
POLO III CLASSIC / DERBY / FLIGHT (6V2) 01.95-11.09					Sedán (Supermini car-B Segment)			
1.6 (BAH)		Gasolina	FWD	1598	74	101	11.02-07.06	*
1.6 (CCRA)		Gasolina	FWD	1598	74	101	11.02-07.06	*
POLO IV (9N2, 9N4) 09.02-12.10					Sedán (Supermini car-B Segment)			
1.9 TDI (ATD)		Diesel	FWD	1896	74	101	07.03-12.10	*

LISTA DE APLICACIONES - BUYERS GUIDE

POLO IV / DERBY (9A4, 9A2, 9N2, 9A6) 09.02-					Sedán (Supermini car-B Segment)			
1.4 (BBY)	Gasolina	FWD	1390	55	75	11.02-04.12	*	
1.4 (BKY)	Gasolina	FWD	1390	55	75	11.02-04.12	*	
1.4 (BBZ)	Gasolina	FWD	1390	74	101	11.03-06.05	*	
1.6 (BAH)	Gasolina	FWD	1598	74	101	09.02-	*	
1.6 (CCRA)	Gasolina	FWD	1598	74	101	09.02-	*	
1.6 (CFZA)	Gasolina	FWD	1598	74	101	09.02-	*	
1.4 TDI (BAY)	Diesel	FWD	1422	55	75	07.03-06.05	*	
1.9 SDI (ASY)	Diesel	FWD	1896	47	64	09.02-04.12	*	