

LISTA DE APLICACIONES - BUYERS GUIDE

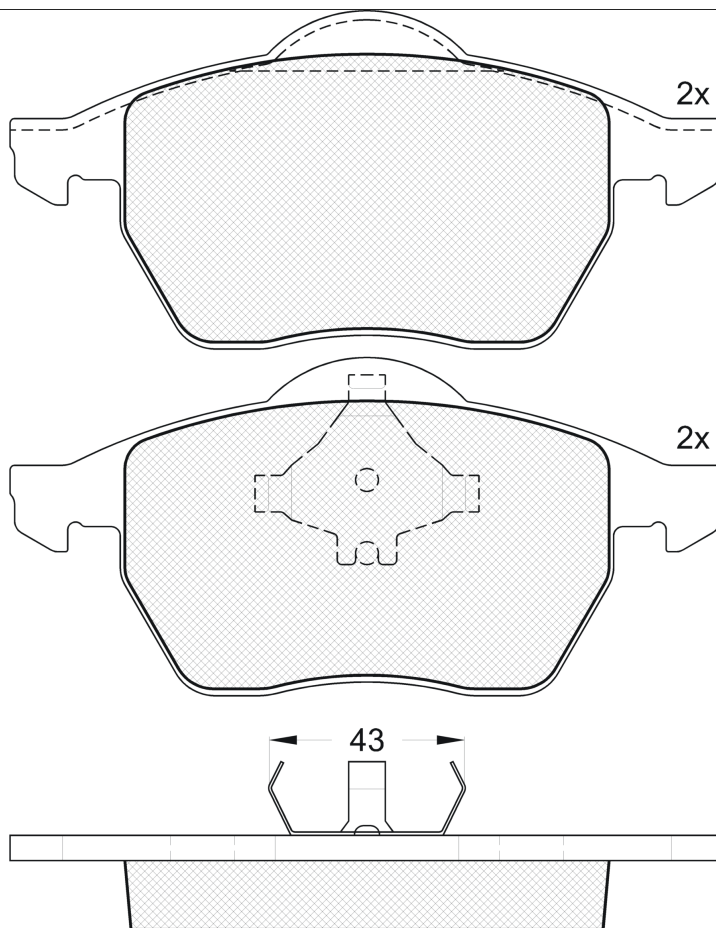
RB1131



Qty: 300

Weight: 2.116

O.E.M.	MAKE
1J0 698 151 L	AUDI
3A0 615 116 A	VW
3A0 615 116 B	VW
3A0 615 151	VW
3A0 615 151 A	VW
3A0 698 151	VW
3A0 698 151 A	VW
86 60 004 646	RENAULT
86 71 016 557	RENAULT
8N0 698 151	VW



RB1131

E1 90R-01101/058



Ate - Teves

156.3x74.1x20.6

WVA	FMSI
20676	D687-7434
21911	

Sin Filas



Trac.	CC	Kw	CV
-------	----	----	----



Front / Rear

AUDI

A3 (8L1) 09.96-09.06

[CAMBIADO]:Fastback (Compact executive car-D Segment)

Model	Gasolina	FWD	CC	Kw	CV	Year	*
1.8 T (AGU)	Gasolina	FWD	1781	110	150	12.96-05.03	*
1.8 T (AQA)	Gasolina	FWD	1781	110	150	12.96-05.03	*
1.8 T (ARZ)	Gasolina	FWD	1781	110	150	12.96-05.03	*
1.8 T (AUM)	Gasolina	FWD	1781	110	150	12.96-05.03	*
1.8 T quattro (AGU)	Gasolina	4WD	1781	110	150	12.96-05.03	*
1.8 T quattro (AQA)	Gasolina	4WD	1781	110	150	12.96-05.03	*
1.8 T quattro (ARX)	Gasolina	4WD	1781	110	150	12.96-05.03	*
1.8 T quattro (AJQ)	Gasolina	4WD	1781	132	180	10.98-05.03	*
1.8 T quattro (ARY)	Gasolina	4WD	1781	132	180	10.98-05.03	*
S3 quattro (AMK)	Gasolina	4WD	1781	154	210	03.99-04.02	*
S3 quattro (APY)	Gasolina	4WD	1781	154	210	03.99-04.02	*
S3 quattro (AUL)	Gasolina	4WD	1781	154	210	03.99-04.02	*

TT (8N9) 10.99-02.07

Cabrio (Sports car-S Segment)

Model	Gasolina	FWD	CC	Kw	CV	Year	*
1.8 T (AUM)	Gasolina	FWD	1781	110	150	01.01-06.06	*
1.8 T (AJQ)	Gasolina	FWD	1781	132	180	10.99-06.06	*
1.8 T (APP)	Gasolina	FWD	1781	132	180	10.99-06.06	*
1.8 T (ATC)	Gasolina	FWD	1781	132	180	10.99-06.06	*
1.8 T (AUQ)	Gasolina	FWD	1781	132	180	10.99-06.06	*
1.8 T (AWP)	Gasolina	FWD	1781	132	180	10.99-06.06	*
1.8 T quattro (AJQ)	Gasolina	4WD	1781	132	180	02.00-06.06	*
1.8 T quattro (ARY)	Gasolina	4WD	1781	132	180	02.00-06.06	*
1.8 T quattro (AUQ)	Gasolina	4WD	1781	132	180	02.00-06.06	*

LISTA DE APLICACIONES - BUYERS GUIDE

1.8 T quattro (APX)	Gasolina	4WD	1781	165	224	10.99-06.06	*
1.8 T quattro (BAM)	Gasolina	4WD	1781	165	224	10.99-06.06	*
1.8 T quattro (BEA)	Gasolina	4WD	1781	165	224	10.99-06.06	*
TT (8N3) 10.98-02.07							Coupé (Sports car-S Segment)
1.8 T (AJQ)	Gasolina	FWD	1781	132	180	10.98-06.06	*
1.8 T (APP)	Gasolina	FWD	1781	132	180	10.98-06.06	*
1.8 T (ATC)	Gasolina	FWD	1781	132	180	10.98-06.06	*
1.8 T (AUQ)	Gasolina	FWD	1781	132	180	10.98-06.06	*
1.8 T quattro (AJQ)	Gasolina	4WD	1781	132	180	10.98-06.06	*
1.8 T quattro (ARY)	Gasolina	4WD	1781	132	180	10.98-06.06	*
1.8 T quattro (ATC)	Gasolina	4WD	1781	132	180	10.98-06.06	*
1.8 T quattro (AUQ)	Gasolina	4WD	1781	132	180	10.98-06.06	*
1.8 T quattro (APX)	Gasolina	4WD	1781	165	224	10.98-06.06	*
1.8 T quattro (BAM)	Gasolina	4WD	1781	165	224	10.98-06.06	*
1.8 T quattro (BEA)	Gasolina	4WD	1781	165	224	10.98-06.06	*
SEAT							
IBIZA III (6L1) 02.02-11.09							[CAMBIADO]:Fastback (Supermini car-B Segment)
1.8 T Cupra R (BBU)	Gasolina	FWD	1781	132	180	01.04-02.08	*
1.8 T Cupra R (BLZ)	Gasolina	FWD	1781	132	180	01.04-02.08	*
1.9 TDI Cupra R (BPX)	Diesel	FWD	1896	118	160	03.04-02.08	*
1.9 TDI Cupra R (BUK)	Diesel	FWD	1896	118	160	03.04-02.08	*
LEON (1M1) 11.99-06.06							[CAMBIADO]:Fastback (Compact car-C Segment)
1.8 T Cupra R (AMK)	Gasolina	FWD	1781	154	209	02.02-06.06	*
1.8 T Cupra R (BAM)	Gasolina	FWD	1781	165	225	07.03-06.06	*
1.9 TDI (ASZ)	Diesel	FWD	1896	96	130	05.03-06.06	*
1.9 TDI (ARL)	Diesel	FWD	1896	110	150	09.00-06.06	*
1.9 TDI Syncro (ARL)	Diesel	4WD	1896	110	150	05.02-06.06	*
TOLEDO II (1M2) 10.98-05.06							Sedán (Compact car-C Segment)
2.3 V5 (AGZ)	Gasolina	FWD	2324	110	150	10.98-11.00	*
1.9 TDI (ASZ)	Diesel	FWD	1896	96	130	05.03-05.06	*
1.9 TDI (ARL)	Diesel	FWD	1896	110	150	10.00-07.04	*
1.9 TDI 4Drive (ARL)	Diesel	4WD	1896	110	150	10.00-10.05	*
SKODA							
OCTAVIA (1U2) 09.96-12.10							[CAMBIADO]:Fastback (Compact car-C Segment)
1.4 16V (AXP)	Gasolina	FWD	1390	55	75	09.00-12.10	*
1.4 16V (BCA)	Gasolina	FWD	1390	55	75	09.00-12.10	*
1.6 (AVU)	Gasolina	FWD	1595	75	102	11.00-12.10	*
1.6 (BFQ)	Gasolina	FWD	1595	75	102	11.00-12.10	*
1.8 (AGN)	Gasolina	FWD	1781	92	125	09.96-07.00	*
1.8 T (AGU)	Gasolina	FWD	1781	110	150	08.97-12.10	*
1.8 T (ARX)	Gasolina	FWD	1781	110	150	08.97-12.10	*
1.8 T (ARZ)	Gasolina	FWD	1781	110	150	08.97-12.10	*
1.8 T (AUM)	Gasolina	FWD	1781	110	150	08.97-12.10	*
1.8 T 4x4 (ARX)	Gasolina	4WD	1781	110	150	05.01-05.06	*
1.9 TDI (AHF)	Diesel	FWD	1896	81	110	08.97-01.06	*
1.9 TDI (ASV)	Diesel	FWD	1896	81	110	08.97-01.06	*
1.9 TDI (ASZ)	Diesel	FWD	1896	96	130	09.02-09.04	*

LISTA DE APLICACIONES - BUYERS GUIDE

OCTAVIA Combi (1U5) 07.98-12.10					[CAMBIADO]:Break (Compact car-C Segment)			
1.4 16V (AXP)	Gasolina	FWD	1390	55	75	08.00-12.10	*	
1.4 16V (BCA)	Gasolina	FWD	1390	55	75	08.00-12.10	*	
1.6 (AEH)	Gasolina	FWD	1595	74	101	07.98-12.07	*	
1.6 (AKL)	Gasolina	FWD	1595	74	101	07.98-12.07	*	
1.6 (AVU)	Gasolina	FWD	1595	75	102	09.00-12.10	*	
1.6 (BFQ)	Gasolina	FWD	1595	75	102	09.00-12.10	*	
1.6 (AEE)	Gasolina	FWD	1598	55	75	07.98-09.04	*	
1.8 20V (AGN)	Gasolina	FWD	1781	92	125	07.98-07.00	*	
1.8 T (AGU)	Gasolina	FWD	1781	110	150	07.98-12.10	*	
1.8 T (ARX)	Gasolina	FWD	1781	110	150	07.98-12.10	*	
1.8 T (ARZ)	Gasolina	FWD	1781	110	150	07.98-12.10	*	
1.8 T (AUM)	Gasolina	FWD	1781	110	150	07.98-12.10	*	
1.8 T 4x4 (ARX)	Gasolina	4WD	1781	110	150	05.01-05.06	*	
2.0 (AEG)	Gasolina	FWD	1984	85	116	04.99-05.07	*	
2.0 (APK)	Gasolina	FWD	1984	85	116	04.99-05.07	*	
2.0 (AQY)	Gasolina	FWD	1984	85	116	04.99-05.07	*	
2.0 (AZH)	Gasolina	FWD	1984	85	116	04.99-05.07	*	
2.0 (AZJ)	Gasolina	FWD	1984	85	116	04.99-05.07	*	
2.0 4x4 (AZH)	Gasolina	4WD	1984	85	116	08.00-09.04	*	
2.0 4x4 (AZJ)	Gasolina	4WD	1984	85	116	08.00-09.04	*	
1.9 SDI (AGP)	Diesel	FWD	1896	50	68	07.98-12.03	*	
1.9 SDI (AQM)	Diesel	FWD	1896	50	68	07.98-12.03	*	
1.9 TDI (AGR)	Diesel	FWD	1896	66	90	07.98-03.10	*	
1.9 TDI (ALH)	Diesel	FWD	1896	66	90	07.98-03.10	*	
1.9 TDI (AXR)	Diesel	FWD	1896	74	100	08.00-12.10	*	
1.9 TDI 4x4 (ATD)	Diesel	4WD	1896	74	100	09.00-01.06	*	
1.9 TDI (AHF)	Diesel	FWD	1896	81	110	07.98-01.06	*	
1.9 TDI (ASV)	Diesel	FWD	1896	81	110	07.98-01.06	*	
1.9 TDI (ASZ)	Diesel	FWD	1896	96	130	09.02-09.04	*	
VW								
BORA / JETTA IV (1J2) 10.98-12.13					Sedán (Compact car-C Segment)			
2.3 V5 (AGZ)	Gasolina	FWD	2324	110	150	10.98-10.00	*	
2.3 V5 4motion (AGZ)	Gasolina	4WD	2324	110	150	12.98-10.00	*	
GOLF III (1H1) 10.89-11.00					[CAMBIADO]:Fastback (Compact car-C Segment)			
1.6 (AEK)	Gasolina	FWD	1595	74	101	07.95-08.97	*	
1.6 (AFT)	Gasolina	FWD	1595	74	101	07.95-08.97	*	
1.6 (AKS)	Gasolina	FWD	1595	74	101	07.95-08.97	*	
2.0 (AAC)	Gasolina	FWD	1968	62	84	08.92-07.98	*	
2.0 GL (AEP)	Gasolina	FWD	1984	79	107	08.95-09.97	*	
2.0 (2E)	Gasolina	FWD	1984	85	115	11.91-08.97	*	
2.0 (ABA)	Gasolina	FWD	1984	85	115	11.91-08.97	*	
2.0 (ADC)	Gasolina	FWD	1984	85	115	11.91-08.97	*	
2.0 (ADY)	Gasolina	FWD	1984	85	115	11.91-08.97	*	
2.0 (AGG)	Gasolina	FWD	1984	85	115	11.91-08.97	*	
2.0 (AKR)	Gasolina	FWD	1984	85	115	11.91-08.97	*	
2.0 GTI 16V (ABF)	Gasolina	FWD	1984	110	150	08.92-12.97	*	
2.8 VR6 (AAA)	Gasolina	FWD	2792	120	163	08.95-09.97	*	
2.8 VR6 (AAA)	Gasolina	FWD	2792	128	174	01.92-08.97	*	
2.9 VR6 Syncro (1HX1) (ABV)	Gasolina	4WD	2861	140	190	10.94-08.97	*	

LISTA DE APLICACIONES - BUYERS GUIDE

GOLF III Variant (1H5) 07.93-04.99					[CAMBIADO]:Break (Compact car-C Segment)			
2.0 (AEP)		Gasolina	FWD	1984	79	107	08.95-04.96	*
2.0 (2E)		Gasolina	FWD	1984	85	115	07.93-04.99	*
2.0 (ADY)		Gasolina	FWD	1984	85	115	07.93-04.99	*
2.0 (AGG)		Gasolina	FWD	1984	85	115	07.93-04.99	*
2.0 (AKR)		Gasolina	FWD	1984	85	115	07.93-04.99	*
2.0 Syncro (AGG)		Gasolina	4WD	1984	85	115	08.95-04.99	*
2.9 VR6		Gasolina	FWD	2861	140	190	10.94-04.99	*
2.9 VR6 Syncro (ABV)		Gasolina	4WD	2861	140	190	10.94-04.99	*
GOLF IV (1J1) 08.97-04.08					[CAMBIADO]:Fastback (Compact car-C Segment)			
1.8 T GTI (AGU)		Gasolina	FWD	1781	110	150	08.97-06.05	*
1.8 T GTI (AQA)		Gasolina	FWD	1781	110	150	08.97-06.05	*
1.8 T GTI (ARZ)		Gasolina	FWD	1781	110	150	08.97-06.05	*
1.8 T GTI (AUM)		Gasolina	FWD	1781	110	150	08.97-06.05	*
1.8 T GTI (AWD)		Gasolina	FWD	1781	110	150	08.97-06.05	*
1.8 T GTI (AWW)		Gasolina	FWD	1781	110	150	08.97-06.05	*
2.3 V5 (AGZ)		Gasolina	FWD	2324	110	150	08.97-10.00	*
2.3 V5 4motion (AGZ)		Gasolina	4WD	2324	110	150	12.98-10.00	*
2.8		Gasolina	FWD	2792	128	174	08.97-09.99	*
2.8 VR6 4motion (AQP)		Gasolina	4WD	2792	150	204	03.99-06.05	*
2.8 VR6 4motion (AUE)		Gasolina	4WD	2792	150	204	03.99-06.05	*
2.8 VR6 4motion (BDE)		Gasolina	4WD	2792	150	204	03.99-06.05	*
GOLF IV Variant / JETTA IV (1J5) 05.99-06.06					[CAMBIADO]:Break (Compact car-C Segment)			
1.8 T		Gasolina	FWD	1781	127	173	09.99-12.01	*
2.8 V6		Gasolina	FWD	2792	128	174	09.00-12.04	*
2.8 V6 4motion (AQP)		Gasolina	4WD	2792	150	204	05.99-06.06	*
2.8 V6 4motion (AUE)		Gasolina	4WD	2792	150	204	05.99-06.06	*
2.8 V6 4motion (BDE)		Gasolina	4WD	2792	150	204	05.99-06.06	*
PASSAT B3/B4 (3A2, 35I) 02.88-12.97					Sedán (Large family car-D Segment)			
2.0 16V (ABF)		Gasolina	FWD	1984	110	150	01.94-08.96	*
2.8 VR6 (AAA)		Gasolina	FWD	2792	128	174	06.91-08.96	*
PASSAT B3/B4 Variant (3A5, 35I) 02.88-06.97					[CAMBIADO]:Break (Large family car-D Segment)			
2.0 16V (ABF)		Gasolina	FWD	1984	110	150	01.94-05.97	*
2.8 CL		Gasolina	FWD	2771	142	193	10.94-12.95	*
2.8 VR6 (AAA)		Gasolina	FWD	2792	128	174	06.91-05.97	*
2.9 VR6 Syncro (ABV)		Gasolina	4WD	2861	135	184	01.94-05.97	*
VENTO / JETTA III (1H2) 11.91-11.00					Sedán (Compact car-C Segment)			
2.0 (2E)		Gasolina	FWD	1984	85	115	11.91-09.98	*
2.0 (ABA)		Gasolina	FWD	1984	85	115	11.91-09.98	*
2.0 (ADY)		Gasolina	FWD	1984	85	115	11.91-09.98	*
2.0 (AGG)		Gasolina	FWD	1984	85	115	11.91-09.98	*
2.0 (AKR)		Gasolina	FWD	1984	85	115	11.91-09.98	*
2.8 VR6 (AAA)		Gasolina	FWD	2792	120	163	08.95-04.96	*
2.8 VR6 (AAA)		Gasolina	FWD	2792	120	163	01.92-09.98	*
2.8 VR6 (AAA)		Gasolina	FWD	2792	128	174	01.92-09.98	*
2.8 VR6		Gasolina	FWD	2792	149	203	01.95-08.98	*