

LISTA DE APLICACIONES - BUYERS GUIDE

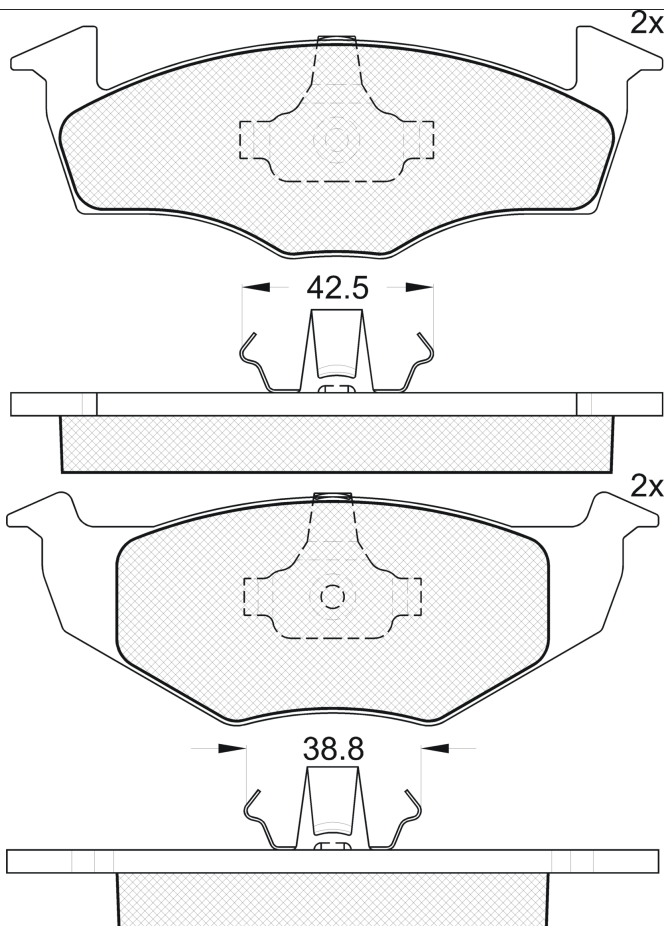
RB1130



Qty: 300

Weight: 1.296

O.E.M.	MAKE
6N0 698 151	VW
6N0 698 151 C	VW
86 60 004 679	RENAULT
86 71 016 621	RENAULT



RB1130

E1 90R-01101/057



Volkswagen

141.65x50.5x17.3

141.65x50.8x17.3

WVA	FMSI
21865	D694-8702
21866	
21867	
21868	

Sin Filas



Trac.	CC	Kw	CV
-------	----	----	----



Front / Rear

SEAT

AROSA (6H1) 05.97-06.04					[CAMBIADO]:Fastback (City car-A Segment)			
1.0 (AHT)	Gasolina	FWD	997	37	50	10.98-01.01	*	
1.0 (AER)	Gasolina	FWD	999	37	50	05.97-06.04	*	
1.0 (ALD)	Gasolina	FWD	999	37	50	05.97-06.04	*	
1.0 (ALL)	Gasolina	FWD	999	37	50	05.97-06.04	*	
1.0 (ANV)	Gasolina	FWD	999	37	50	05.97-06.04	*	
1.0 (AUC)	Gasolina	FWD	999	37	50	05.97-06.04	*	
1.4 (AEX)	Gasolina	FWD	1389	44	60	05.97-06.04	*	
1.4 (AKK)	Gasolina	FWD	1389	44	60	05.97-06.04	*	
1.4 (AKV)	Gasolina	FWD	1389	44	60	05.97-06.04	*	
1.4 (ANW)	Gasolina	FWD	1389	44	60	05.97-06.04	*	
1.4 (APQ)	Gasolina	FWD	1389	44	60	05.97-06.04	*	
1.4 (AUD)	Gasolina	FWD	1389	44	60	05.97-06.04	*	
1.4 16V (AFK)	Gasolina	FWD	1390	74	100	01.00-06.04	*	
1.4 16V (AQQ)	Gasolina	FWD	1390	74	100	01.00-06.04	*	
1.4 16V (AUB)	Gasolina	FWD	1390	74	100	01.00-06.04	*	
1.4 TDI (AMF)	Diesel	FWD	1422	55	75	01.00-06.04	*	
1.7 SDI (AKU)	Diesel	FWD	1716	44	60	08.97-06.04	*	

SKODA

FABIA (6Y2) 08.99-03.08					[CAMBIADO]:Fastback (Compact car-C Segment)			
1.0 (AQV)	Gasolina	FWD	996	37	50	12.99-08.02	*	
1.0 (ARV)	Gasolina	FWD	996	37	50	12.99-08.02	*	
1.2 (AWY)	Gasolina	FWD	1198	40	54	07.01-04.07	*	

LISTA DE APLICACIONES - BUYERS GUIDE

1.2 (BMD)		Gasolina	FWD	1198	40	54	07.01-04.07	*	
1.2 (AZQ)		Gasolina	FWD	1198	47	64	01.03-03.08	*	
1.2 (BME)		Gasolina	FWD	1198	47	64	01.03-03.08	*	
1.4 (AZE)		Gasolina	FWD	1397	44	60	08.00-08.02	*	
1.4 (AZF)		Gasolina	FWD	1397	44	60	08.00-08.02	*	
FABIA (6Y5) 01.00-12.07							[CAMBIADO]:Furgón/Break (Compact car-C Segment)		
1.2 (AWY)		Gasolina	FWD	1198	40	54	07.01-12.07	*	
1.2 (BMD)		Gasolina	FWD	1198	40	54	07.01-12.07	*	
1.2 (AZQ)		Gasolina	FWD	1198	47	64	01.03-12.07	*	
1.2 (BME)		Gasolina	FWD	1198	47	64	01.03-12.07	*	
1.4 (AZE)		Gasolina	FWD	1397	44	60	04.00-03.03	*	
1.4 (AZF)		Gasolina	FWD	1397	44	60	04.00-03.03	*	
FABIA (6Y3) 10.99-12.07							Sedán (Compact car-C Segment)		
1.2 (AWY)		Gasolina	FWD	1198	40	54	07.01-12.07	*	
1.2 (BMD)		Gasolina	FWD	1198	40	54	07.01-12.07	*	
1.2 (AZQ)		Gasolina	FWD	1198	47	64	01.03-12.07	*	
1.2 (BME)		Gasolina	FWD	1198	47	64	01.03-12.07	*	
1.4 (AZE)		Gasolina	FWD	1397	44	60	04.00-08.02	*	
1.4 (AZF)		Gasolina	FWD	1397	44	60	04.00-08.02	*	
FABIA II (542) 12.06-12.14							[CAMBIADO]:Fastback (Compact car-C Segment)		
1.2 (BBM)		Gasolina	FWD	1198	44	60	12.06-12.14	*	
1.2 (CHFA)		Gasolina	FWD	1198	44	60	12.06-12.14	*	
1.2 12V (CGPB)		Gasolina	FWD	1198	44	60	11.11-12.14	*	
1.2 (BZG)		Gasolina	FWD	1198	51	70	01.07-12.14	*	
1.2 (CEVA)		Gasolina	FWD	1198	51	70	01.07-12.14	*	
1.2 (CGPA)		Gasolina	FWD	1198	51	70	01.07-12.14	*	
1.2 (CHTA)		Gasolina	FWD	1198	51	70	01.07-12.14	*	
1.2 12V		Gasolina	FWD	1198	55	75	10.10-12.14	*	
1.4 TSI RS (CAVE)		Gasolina	FWD	1390	132	180	05.10-12.14	*	
1.4 TSI RS (CTHE)		Gasolina	FWD	1390	132	180	05.10-12.14	*	
1.2 LPG (CHFA)		Gasol./Gas (LPG)	FWD	1198	44	60	03.09-11.11	*	
1.2 TDI (CFWA)		Diesel	FWD	1199	55	75	05.10-12.14	*	
1.4 TDI (BNM)		Diesel	FWD	1422	51	70	02.07-03.10	*	
FABIA II Combi (545) 10.07-12.14							[CAMBIADO]:Break (Compact car-C Segment)		
1.2 (BBM)		Gasolina	FWD	1198	44	60	10.07-11.14	*	
1.2 (CHFA)		Gasolina	FWD	1198	44	60	10.07-11.14	*	
1.2 12V (CGPB)		Gasolina	FWD	1198	44	60	11.11-12.14	*	
1.2 (BZG)		Gasolina	FWD	1198	51	70	10.07-12.14	*	
1.2 (CEVA)		Gasolina	FWD	1198	51	70	10.07-12.14	*	
1.2 (CGPA)		Gasolina	FWD	1198	51	70	10.07-12.14	*	
1.2 (CHTA)		Gasolina	FWD	1198	51	70	10.07-12.14	*	
1.4 TSI RS (CAVE)		Gasolina	FWD	1390	132	180	05.10-12.14	*	
1.4 TSI RS (CTHE)		Gasolina	FWD	1390	132	180	05.10-12.14	*	
1.2 LPG (CHFA)		Gasol./Gas (LPG)	FWD	1198	44	60	03.09-11.11	*	
1.2 TDI (CFWA)		Diesel	FWD	1199	55	75	05.10-12.14	*	
1.4 TDI (BNM)		Diesel	FWD	1422	51	70	10.07-03.10	*	
FABIA Combi (6Y5) 04.00-12.07							[CAMBIADO]:Break (Compact car-C Segment)		
1.2 (AWY)		Gasolina	FWD	1198	40	54	07.01-12.07	*	

LISTA DE APLICACIONES - BUYERS GUIDE

1.2 (BMD)		Gasolina	FWD	1198	40	54	07.01-12.07	*
1.2 (AZQ)		Gasolina	FWD	1198	47	64	01.03-12.07	*
1.2 (BME)		Gasolina	FWD	1198	47	64	01.03-12.07	*
1.4 (AZE)		Gasolina	FWD	1397	44	60	04.00-03.03	*
1.4 (AZF)		Gasolina	FWD	1397	44	60	04.00-03.03	*
ROOMSTER / PRAKTIK (5J) 03.07-05.15					[CAMBIADO]:Furgón/Break (Large MPV-M1 Segment)			
1.2 (BZG)		Gasolina	FWD	1198	51	70	03.07-05.15	*
1.2 (CGPA)		Gasolina	FWD	1198	51	70	03.07-05.15	*
1.4 TDI (BNM)		Diesel	FWD	1422	51	70	03.07-03.10	*
VW								
FOX II (5Z1, 5Z3, 5Z4, 5Z5) 08.03-					[CAMBIADO]:Fastback (City car-A Segment)			
1.0		Gasolina	FWD	999	52	71	10.03-	*
1.0		Gasolina	FWD	999	53	72	08.03-12.09	*
1.0		Gasolina	FWD	999	54	73	04.08-12.09	*
1.2 (BMD)		Gasolina	FWD	1198	40	55	04.05-07.11	*
1.2 (CHFB)		Gasolina	FWD	1198	40	55	04.05-07.11	*
1.2 (CHFA)		Gasolina	FWD	1198	44	60	09.10-12.11	*
1.4 (BKR)		Gasolina	FWD	1390	55	75	04.05-12.09	*
1.6		Gasolina	FWD	1598	73	99	01.05-	*
1.6 (BAH)		Gasolina	FWD	1598	74	101	10.03-10.21	*
1.6 (BJA)		Gasolina	FWD	1598	74	101	10.03-10.21	*
1.6 (BLH)		Gasolina	FWD	1598	74	101	10.03-10.21	*
1.6 (BPA)		Gasolina	FWD	1598	74	101	10.03-10.21	*
1.6 (CFZA)		Gasolina	FWD	1598	74	101	10.03-10.21	*
1.6 Alcohol		Gasolina	FWD	1598	76	103	10.03-	*
1.6		Gasolina	FWD	1599	69	94	10.03-	*
1.6		Gasolina	FWD	1599	81	110	10.15-	*
1.0 TotalFlex		Gasol./Metanol	FWD	999	52	71	08.03-12.09	*
1.0 TotalFlex		Gasol./Etanol	FWD	999	53	72	08.03-12.09	*
1.0 City Total Flex		Gasol./Etanol	FWD	999	54	73	05.05-10.14	*
1.0 TotalFlex		Gasol./Etanol	FWD	999	56	76	05.05-12.15	*
1.0 TotalFlex		Gasol./Etanol	FWD	999	60	82	07.13-12.17	*
1.6 TotalFlex (BPA)		Gasol./Etanol	FWD	1598	73	98	09.07-12.09	*
1.6 TotalFlex (BJA)		Gasol./Etanol	FWD	1598	74	101	10.03-08.14	*
1.6 TotalFlex (BPA)		Gasol./Etanol	FWD	1598	74	101	10.03-08.14	*
1.6 TotalFlex (CCRA)		Gasol./Etanol	FWD	1598	74	101	10.03-08.14	*
1.6 TotalFlex (BJA)		Gasol./Etanol	FWD	1598	77	105	10.03-10.21	*
1.6 TotalFlex (BPA)		Gasol./Etanol	FWD	1598	77	105	10.03-10.21	*
1.4 TDI (BNM)		Diesel	FWD	1422	51	70	04.05-12.09	*
1.9 D		Diesel	FWD	1896	47	64	12.07-12.09	*
FOX II (5Z1) 09.10-12.11					Furgón/hatchback (City car-A Segment)			
1.2 (CHFA)		Gasolina	FWD	1198	44	60	09.10-12.11	*
GOL 05.80-12.97					[CAMBIADO]:Fastback (Supermini car-B Segment)			
1.3		Gasolina	FWD	1285	32	44	05.80-07.82	*

LISTA DE APLICACIONES - BUYERS GUIDE

1.6		Gasolina	FWD	1555	56	76	08.85-09.94	*
1.8		Gasolina	FWD	1781	64	87	05.84-09.94	*
2.0		Gasolina	FWD	1984	92	125	08.88-09.94	*
1.6 Hybrid		Gasol./el éc.	FWD	1555	57	78	08.85-09.94	*
1.6 Hybrid		Gasol./el éc.	FWD	1584	38	52	05.80-07.85	*
1.6 Hybrid		Gasol./el éc.	FWD	1584	42	57	05.80-07.85	*
1.8 Hybrid		Gasol./el éc.	FWD	1781	70	95	08.87-09.94	*
2.0 Hybrid		Gasol./el éc.	FWD	1984	88	120	08.88-09.94	*
GOL II 06.94-06.05					[CAMBIADO]:Fastback (Supermini car-B Segment)			
1.0		Gasolina	FWD	997	37	50	10.94-09.96	*
1.0		Gasolina	FWD	998	51	69	08.97-05.02	*
1.0 Turbo		Gasolina	FWD	998	82	111	08.97-07.04	*
1.0		Gasolina	FWD	999	40	54	08.96-05.02	*
1.6		Gasolina	FWD	1595	68	92	12.98-05.02	*
1.6 (BW1, BX1) (BWX)		Gasolina	FWD	1595	73	99	12.99-06.10	*
1.8		Gasolina	FWD	1781	77	105	04.98-05.02	*
2.0 GTI		Gasolina	FWD	1984	82	111	10.94-09.96	*
2.0		Gasolina	FWD	1984	85	116	10.96-05.02	*
2.0		Gasolina	FWD	1984	104	141	05.96-05.02	*
1.0 Hybrid		Gasol./el éc.	FWD	998	43	58	08.98-05.02	*
1.9 D		Diesel	RWD	1896	51	69	04.98-05.02	*
LUPO (6X1, 6E1) 09.98-07.05					[CAMBIADO]:Fastback (City car-A Segment)			
1.0 (AHT)		Gasolina	FWD	997	37	50	10.98-05.00	*
1.0 (AER)		Gasolina	FWD	999	37	50	09.98-07.05	*
1.0 (ALD)		Gasolina	FWD	999	37	50	09.98-07.05	*
1.0 (ALL)		Gasolina	FWD	999	37	50	09.98-07.05	*
1.0 (ANV)		Gasolina	FWD	999	37	50	09.98-07.05	*
1.0 (AUC)		Gasolina	FWD	999	37	50	09.98-07.05	*
1.4 (AUD)		Gasolina	FWD	1390	44	60	10.00-07.05	*
1.4 16V (AHW)		Gasolina	FWD	1390	55	75	09.98-07.05	*
1.4 16V (AKQ)		Gasolina	FWD	1390	55	75	09.98-07.05	*
1.4 16V (APE)		Gasolina	FWD	1390	55	75	09.98-07.05	*
1.4 16V (AUA)		Gasolina	FWD	1390	55	75	09.98-07.05	*
1.4 16V (BBY)		Gasolina	FWD	1390	55	75	09.98-07.05	*
1.7 SDI (AKU)		Diesel	FWD	1716	44	60	09.98-07.05	*
POLO III (6N1) 10.94-10.99					[CAMBIADO]:Fastback (Supermini car-B Segment)			
1.0 (ALD)		Gasolina	FWD	999	37	50	10.99-09.01	*
1.0 (AUC)		Gasolina	FWD	999	37	50	10.99-09.01	*
50 1.0 (AER)		Gasolina	FWD	999	37	50	09.96-10.99	*
50 1.0 (ALL)		Gasolina	FWD	999	37	50	09.96-10.99	*
45 1.0 (AEV)		Gasolina	FWD	1043	33	45	10.94-09.96	*
55 1.3 (ADX)		Gasolina	FWD	1296	40	55	10.94-04.97	*
1.4 (AKP)		Gasolina	FWD	1390	40	54	10.99-09.01	*
1.4 (ANX)		Gasolina	FWD	1390	40	54	10.99-09.01	*
55 1.4 (AEX)		Gasolina	FWD	1390	40	55	08.95-10.99	*
1.4 (AKK)		Gasolina	FWD	1390	44	60	10.99-09.01	*
1.4 (AUD)		Gasolina	FWD	1390	44	60	10.99-09.01	*

LISTA DE APLICACIONES - BUYERS GUIDE

60 1.4 (AEX)		Gasolina	FWD	1390	44	60	07.95-10.99	*
60 1.4 (AKV)		Gasolina	FWD	1390	44	60	07.95-10.99	*
60 1.4 (APQ)		Gasolina	FWD	1390	44	60	07.95-10.99	*
1.4 16V (AHW)		Gasolina	FWD	1390	55	75	10.99-09.01	*
1.4 16V (APE)		Gasolina	FWD	1390	55	75	10.99-09.01	*
1.4 16V (AUA)		Gasolina	FWD	1390	55	75	10.99-09.01	*
75 1.6 (AEA)		Gasolina	FWD	1598	55	75	10.94-10.99	*
75 1.6 (AEE)		Gasolina	FWD	1598	55	75	10.94-10.99	*
75 1.6 (AHS)		Gasolina	FWD	1598	55	75	10.94-10.99	*
75 1.6 4motion (AEA)		Gasolina	4WD	1598	55	75	08.95-10.99	*
1.4 TDI (AMF)		Diesel	FWD	1422	55	75	10.99-09.01	*
1.7 SDI (AHG)		Diesel	FWD	1716	42	57	04.97-10.99	*
1.7 SDI (AKU)		Diesel	FWD	1716	44	60	10.99-09.01	*
60 1.7 SDI (AKU)		Diesel	FWD	1716	44	60	08.97-10.99	*
1.9 D (AEF)		Diesel	FWD	1896	47	64	10.99-09.01	*
1.9 SDI (AGD)		Diesel	FWD	1896	47	64	10.99-09.01	*
1.9 SDI (ASX)		Diesel	FWD	1896	47	64	10.99-09.01	*
64 1.9 D (AEF)		Diesel	FWD	1896	47	64	10.94-10.99	*
64 1.9 SDI (AGD)		Diesel	FWD	1896	47	64	07.96-10.99	*
POLO III VAN (6V5) 12.95-09.01							[CAMBIADO]:Furgón/Break (Supermini car-B Segment)	
1.4 (AEX)		Gasolina	FWD	1390	44	60	08.97-12.99	*
1.4 (AUA)		Gasolina	FWD	1390	55	75	06.00-09.01	*
1.6 (AEE)		Gasolina	FWD	1598	55	75	09.97-12.98	*
1.7 SDI (AKU)		Diesel	FWD	1716	44	60	08.97-12.99	*
1.9 SDI (AEY)		Diesel	FWD	1896	47	64	12.95-08.99	*
1.9 SDI (AGP)		Diesel	FWD	1896	50	68	10.99-09.01	*
1.9 SDI (AQM)		Diesel	FWD	1896	50	68	10.99-09.01	*
POLO III VAN (6N1) 09.94-12.99							Furgón/hatchback (LCVs-N1 Segment)	
1.0 (AEV)		Gasolina	FWD	1043	33	45	10.94-12.99	*
1.4		Gasolina	FWD	1390	44	60	05.98-12.99	*
1.7 SDI		Diesel	FWD	1716	44	60	08.97-12.99	*
1.9 D		Diesel	FWD	1896	47	64	10.94-12.99	*
POLO III CLASSIC / DERBY / FLIGHT (6V2) 01.95-11.09							Sedán (Supermini car-B Segment)	
1.0		Gasolina	FWD	999	37	50	08.96-12.01	*
1.0 TotalFlex		Gasolina	FWD	999	37	50	08.96-12.01	*
60 1.4 (AEX)		Gasolina	FWD	1390	44	60	12.95-09.01	*
60 1.4 (AKK)		Gasolina	FWD	1390	44	60	12.95-09.01	*
60 1.4 (AKV)		Gasolina	FWD	1390	44	60	12.95-09.01	*
60 1.4 (ANW)		Gasolina	FWD	1390	44	60	12.95-09.01	*
60 1.4 (APQ)		Gasolina	FWD	1390	44	60	12.95-09.01	*
60 1.4 (AUD)		Gasolina	FWD	1390	44	60	12.95-09.01	*
1.4		Gasolina	FWD	1390	62	84	05.96-07.02	*
1.6 TotalFlex		Gasolina	FWD	1595	64	87	08.98-09.01	*
1.8		Gasolina	FWD	1781	75	102	08.98-08.01	*
1.8 TotalFlex		Gasolina	FWD	1781	82	111	08.98-07.02	*
2.0 Total Flex		Gasolina	FWD	1984	74	101	06.99-07.05	*
1.8 TotalFlex		Gasol./el éc.	FWD	1781	74	101	05.96-09.01	*
1.8 Hybrid		Gasol./el éc.	FWD	1781	85	116	04.97-09.98	*
1.9 TDI (AHU)		Diesel	FWD	1896	67	91	01.97-08.99	*

LISTA DE APLICACIONES - BUYERS GUIDE

POLO III PLAYA / IBIZA 01.95-11.09					[CAMBIADO]:Fastback (Supermini car-B Segment)			
1.0 (ALD)	Gasolina	FWD	999	37	50	05.99-05.02	*	
1.6	Gasolina	FWD	1595	74	101	01.98-08.00	*	
1.6	Gasolina	FWD	1595	76	103	10.99-10.04	*	
1.6	Gasolina	FWD	1598	74	101	01.95-11.09	*	
1.8	Gasolina	FWD	1781	66	90	07.94-10.99	*	
1.8	Gasolina	FWD	1781	82	112	01.99-12.03	*	
POLO IV (9N_, 9A_) 10.01-10.14					[CAMBIADO]:Fastback (Supermini car-B Segment)			
1.2 (AWY)	Gasolina	FWD	1198	40	54	01.02-05.07	*	
1.2 (BMD)	Gasolina	FWD	1198	40	54	01.02-05.07	*	
1.2 (BBM)	Gasolina	FWD	1198	44	60	05.07-11.09	*	
POLO IV / DERBY (9A4, 9A2, 9N2, 9A6) 09.02-					Sedán (Supermini car-B Segment)			
1.0	Gasolina	FWD	999	37	50	08.96-12.01	*	
SPACEFOX-SPACE CROSS / SURAN (5Z6, 5Z7, 5Z9) 03.06-					[CAMBIADO]:Break (Mini MPV-M1 Segment)			
1.6	Gasolina	FWD	1598	74	101	03.06-	*	
1.6	Gasolina	FWD	1598	74	101	07.10-	*	
1.6 TotalFlex	Gasolina	FWD	1598	74	101	03.06-	*	
1.9 SDI	Diesel	RWD	1896	47	64	09.07-	*	