

# LISTA DE APLICACIONES - BUYERS GUIDE

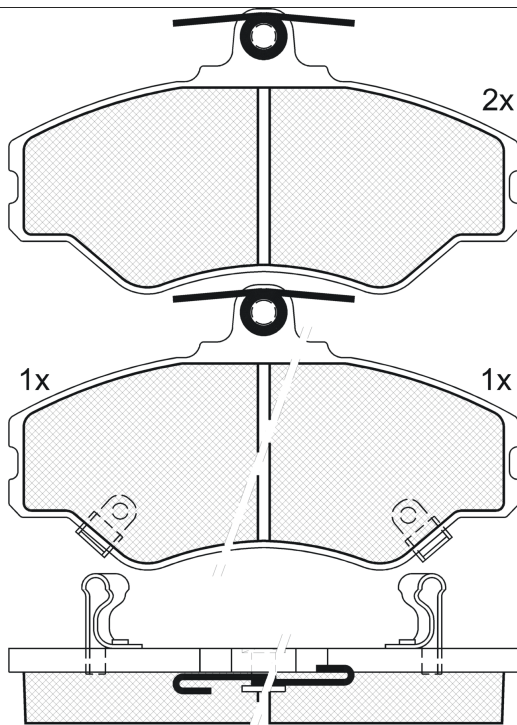
## RB1111-700



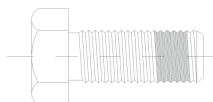
Qty: 639

Weight: 1.880

O.E.M.	MAKE
58101-43A00	HYUNDAI
58101-44A00	HYUNDAI
58101-44A10	HYUNDAI
58101-4BA00	HYUNDAI
58101-4BA10	HYUNDAI



## 141111-700



4x

1-690042

## RB1111-700



E 9 90R-01109/171

Lucas - Girling

129.85x72.8x19

WVA	FMSI
23081	D1137-8247
23082	
23083	

Sin Filas



Trac.	CC	Kw	CV
-------	----	----	----



Front / Rear

### HYUNDAI

<b>AU 01.96-</b>					<b>[CAMBIADO]:Fastback (Compact car-C Segment)</b>			
2.5 D		Diesel	RWD	2495	57	78	01.96-	*
<b>GRACE 07.93-12.04</b>					<b>[CAMBIADO]:Furgón (LCVs-N1 Segment)</b>			
2.4 (G4CS)		Gasolina	RWD	2351	84	114	10.97-12.04	*
2.4 (G4CS)		Gasolina	RWD	2351	90	122	07.93-07.97	*
<b>GRACE 07.93-10.04</b>					<b>Bus (Minibus-M2-Segment)</b>			
2.5 D (D4BA)		Diesel	RWD	2476	55	75	07.93-06.94	*
2.5 TD (D4BF)		Diesel	RWD	2476	59	80	06.98-10.01	*
2.6 D (D4BB)		Diesel	RWD	2607	57	78	10.99-10.04	*
2.6 D		Diesel	RWD	2659	57	78	10.99-10.04	*
<b>H-1 / H-200 / SATELLITE 01.94-</b>					<b>[CAMBIADO]:Furgón (LCVs-N1 Segment)</b>			
2.4 DLX/GS		Gasolina	FWD	2395	84	114	01.94-	*
2.5 TD SDLX/GS		Diesel	RWD	2495	55	75	01.94-	*
2.5 D		Diesel	RWD	2495	57	77	01.94-	*
2.5 D DLX/Grand Luxe		Diesel	RWD	2495	57	78	01.94-	*
<b>H100 / PORTER 05.96-10.04</b>					<b>Caja/Chasis (LCVs-N1 Segment)</b>			
2.5 D (D4BA)		Diesel	RWD	2476	57	78	05.96-10.01	*
<b>H-100 / PORTER 07.93-10.06</b>					<b>Caja/Chasis (LCVs-N1 Segment)</b>			
2.4 (G4CS)		Gasolina	RWD	2351	84	114	05.96-12.97	*
2.5 TD		Diesel	RWD	2476	54	73	09.94-08.98	*
2.5 D (D4BA)		Diesel	RWD	2476	57	78	07.93-12.97	*
2.5 D (D4BF)		Diesel	RWD	2476	59	80	05.96-12.97	*

# LISTA DE APLICACIONES - BUYERS GUIDE

2.5 D		Diesel	RWD	2495	55	75	07.93-	*	
2.6 TD (D4BB)		Diesel	RWD	2607	63	86	04.96-12.97	*	
<b>H-100 / H-150 / GRACE / PORTER 07.93-02.07</b>							<b>[CAMBIADO]:Furgón (LCVs-N1 Segment)</b>		
2.4 (G4CS)		Gasolina	RWD	2351	82	111	10.97-12.04	*	
2.4 (G4CS)		Gasolina	RWD	2351	84	114	08.97-10.03	*	
2.4 TD (G4CS)		Gasolina	RWD	2351	90	122	07.93-07.97	*	
2.5 D (D4BA)		Diesel	RWD	2476	57	78	12.94-03.00	*	
2.5 TDiC (D4BF)		Diesel	RWD	2476	59	80	06.98-10.03	*	
2.5 D (D4BX)		Diesel	RWD	2477	55	75	07.93-12.94	*	
2.6 D (D4BB)		Diesel	RWD	2607	57	78	10.99-12.04	*	
2.6 TD (D4BB)		Diesel	RWD	2607	63	86	07.93-05.98	*	
2.6 D		Diesel	RWD	2659	57	78	10.99-12.04	*	
<b>H-100 / H-150 / GRACE / PORTER (P) 07.93-10.04</b>							<b>Bus (Minibus-M2-Segment)</b>		
2.4 (G4CS)		Gasolina	RWD	2351	84	114	01.97-03.00	*	
2.4 (G4CS)		Gasolina	RWD	2351	90	122	07.93-03.00	*	
2.5 D (D4BA)		Diesel	RWD	2476	57	78	12.94-03.00	*	
2.5 TD (D4BF)		Diesel	RWD	2476	59	80	07.93-03.00	*	
2.5 D (D4BX)		Diesel	RWD	2477	55	75	07.93-12.94	*	
2.6 D		Diesel	RWD	2607	57	78	10.99-10.04	*	
2.6 D		Diesel	RWD	2659	57	78	10.99-10.04	*	
<b>PORTER III / H-100 07.94-04.04</b>							<b>[CAMBIADO]:Furgón (LCVs-N1 Segment)</b>		
2.5 TD (D4BA)		Diesel	RWD	2476	57	78	07.94-04.04	*	
2.5 TD (D4BH)		Diesel	RWD	2477	73	99	07.94-04.04	*	
2.5 CRDi (D4CB)		Diesel	RWD	2497	103	140	02.03-04.04	*	
2.6 TD (D4BB)		Diesel	RWD	2607	63	86	07.94-04.04	*	
<b>PORTER III / H-100 07.94-04.04</b>							<b>Bus (Minibus-M2-Segment)</b>		
2.5 TD (D4BA)		Diesel	RWD	2476	57	78	07.94-04.04	*	
2.5 TD		Diesel	RWD	2477	73	99	07.94-04.04	*	
2.5 CRDi		Diesel	RWD	2497	103	140	02.03-04.04	*	
<b>PORTER III / H-100 07.94-12.04</b>							<b>Caja/Chasis (LCVs-N1 Segment)</b>		
2.5 TD (D4BA)		Diesel	RWD	2476	57	78	07.94-04.04	*	
2.5 TD (D4BH)		Diesel	RWD	2477	73	99	07.94-04.04	*	
2.5 CRDi (D4CB)		Diesel	RWD	2497	103	140	02.03-04.04	*	
2.6 TD		Diesel	RWD	2607	63	86	07.94-04.04	*	
<b>PORTER IV / HR / H-100 05.04-</b>							<b>[CAMBIADO]:Furgón (LCVs-N1 Segment)</b>		
2.5 TCI		Diesel	RWD	2477	74	101	05.04-	*	
2.5 CRDi		Diesel	RWD	2497	103	140	05.04-	*	