

# LISTA DE APLICACIONES - BUYERS GUIDE

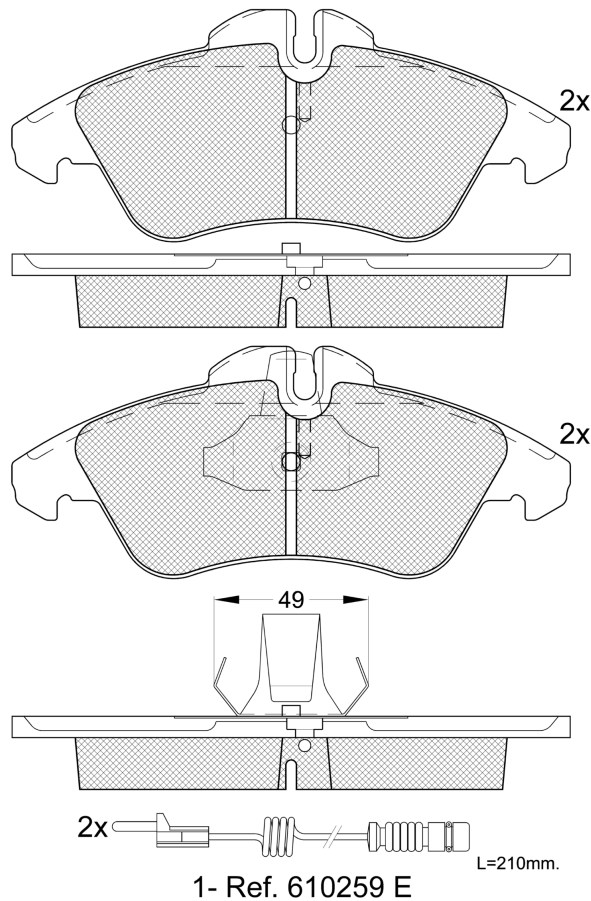
## RB1104



Qty: 300

Weight: 1.940

O.E.M.	MAKE
002 420 39 20	MERCEDES-BENZ
002 420 99 20	MERCEDES-BENZ
004 420 55 20	MERCEDES-BENZ
008 420 42 20	MERCEDES-BENZ
05103794AA	DODGE
05135895AA	DODGE
86 60 004 624	RENAULT
86 71 016 532	RENAULT
901 421 04 10	MERCEDES-BENZ
901 421 05 10	MERCEDES-BENZ
901 421 06 10	MERCEDES-BENZ



1- Ref. 610259 E

## RB1104



**E1 90R-01101/074**

Ate - Teves

156.4x64.9x141104

WVA	FMSI
21576	D950-7849
21577	D1177-8293
23990	
23991	

Sin Filas



Trac.	CC	Kw	CV
-------	----	----	----



Front / Rear

### DODGE

SPRINTER (U.S.A.) 01.03-	[CAMBIADO]:Furgón (LCVs-N1 Segment)						
2.5 2500	Gasolina	FWD	2495			01.03-	*
2.5 2500	Gasolina	FWD	2495			01.03-	*
3.5 3500	Gasolina	FWD	3495			01.03-	*

### MERCEDES-BENZ

(638/2) 08.96-07.03	[CAMBIADO]:Furgón ( )						
V 230 (638.234, 638.294)	Gasolina	FWD	2295	105	143	08.96-07.03	*
V 230 (638.274)	Diesel	FWD	2299	72	98	08.96-02.99	*
SPRINTER CLASSIC 3,5-Ton. (B909) 09.13-	[CAMBIADO]:Furgón (LCVs-N1 Segment)						
311 CDI (909.632, 909.633) (OM 646.701)	Diesel	RWD	2148	80	109	09.13-	*
313 CDI (909.632, 909.633) (OM 646.701)	Diesel	RWD	2148	100	136	01.17-	*
SPRINTER CLASSIC 4,6-Ton. (B909) 09.13-	Bus (Minibus-M2-Segment)						
411 CDI (909.843) (OM 646.701)	Diesel	RWD	2148	80	109	09.13-	*
SPRINTER 2-Ton. (B901, B902) 01.95-05.06	[CAMBIADO]:Furgón (LCVs-N1 Segment)						
214 (901.061, 901.062, 901.661, 901.662, 902.061,... (M 111.979)	Gasolina	RWD	2295	105	143	02.95-05.06	*
214 (901.061, 901.062, 901.661, 901.662, 902.061,... (M 111.984)	Gasolina	RWD	2295	105	143	02.95-05.06	*
214 NGT (901.661, 902.061, 902.062, 902.661, 902.662) (M 111.979)	Gasol./G as (CNG)	RWD	2295	95	129	02.95-05.06	*
214 NGT (901.661, 902.061, 902.062, 902.661, 902.662) (M 111.984)	Gasol./G as (CNG)	RWD	2295	95	129	02.95-05.06	*

## LISTA DE APLICACIONES - BUYERS GUIDE

208 CDI (901.661, 901.662, 902.661, 902.662) (OM 611.987)	Diesel	RWD	2148	60	82	04.00-05.06	*
211 CDI (901.661, 901.662, 902.661, 902.662) (OM 611.981)	Diesel	RWD	2148	80	109	04.00-05.06	*
213 CDI (901.661, 901.662, 902.661, 902.662) (OM 611.981)	Diesel	RWD	2148	95	129	04.00-05.06	*
208 D (901.361, 901.362, 902.361, 902.362) (OM 601.943)	Diesel	RWD	2299	58	79	02.95-04.00	*
208 D (901.361, 901.362, 902.361, 902.362) (OM 601.943)	Diesel	RWD	2299	60	82	10.96-04.00	*
216 CDI (902.661, 902.662) (OM 612.981)	Diesel	RWD	2685	115	156	04.00-05.06	*
210 D (901.461, 901.462, 902.461, 902.462) (OM 602.980)	Diesel	RWD	2874	75	102	01.97-04.00	*
212 D (901.461, 901.462, 902.461, 902.462) (OM 602.980)	Diesel	RWD	2874	90	122	02.95-04.00	*
<b>SPRINTER 2-Ton. (B901, B902) 01.95-05.06</b>				<b>Bus (Minibus-M2-Segment)</b>			
214 (902.071, 902.072, 902.671, 902.672) (M 111.979)	Gasolina	RWD	2295	105	143	02.95-05.06	*
214 (902.071, 902.072, 902.671, 902.672) (M 111.984)	Gasolina	RWD	2295	105	143	02.95-05.06	*
214 NGT (902.072, 902.671, 902.672) (M 111.979)	Gasol./Gas (CNG)	RWD	2295	95	129	02.95-05.06	*
214 NGT (902.072, 902.671, 902.672) (M 111.984)	Gasol./Gas (CNG)	RWD	2295	95	129	02.95-05.06	*
208 CDI (901.671, 902.671, 902.672) (OM 611.987)	Diesel	RWD	2148	60	82	04.00-05.06	*
211 CDI (902.671, 902.672) (OM 611.981)	Diesel	RWD	2148	80	109	04.00-05.06	*
213 CDI (902.671, 902.672) (OM 611.981)	Diesel	RWD	2148	95	129	04.00-05.06	*
208 D (901.371, 902.371, 902.372) (OM 601.943)	Diesel	RWD	2299	58	79	02.95-04.00	*
216 CDI (902.671, 902.672) (OM 612.981)	Diesel	RWD	2685	115	156	04.00-05.06	*
210 D (902.471, 902.472) (OM 602.980)	Diesel	RWD	2874	75	102	03.97-04.00	*
212 D (902.471, 902.472) (OM 602.980)	Diesel	RWD	2874	90	122	02.95-04.00	*
<b>SPRINTER 2-Ton. (B901, B902) 01.95-05.06</b>				<b>Caja/Chasis (LCVs-N1 Segment)</b>			
214 (902.011, 902.012, 902.611, 902.612) (M 111.979)	Gasolina	RWD	2295	105	143	02.95-05.06	*
214 (902.011, 902.012, 902.611, 902.612) (M 111.984)	Gasolina	RWD	2295	105	143	02.95-05.06	*
214 NGT (902.012, 902.611, 902.612) (M 111.979)	Gasol./Gas (CNG)	RWD	2295	95	129	02.95-05.06	*
214 NGT (902.012, 902.611, 902.612) (M 111.984)	Gasol./Gas (CNG)	RWD	2295	95	129	02.95-05.06	*
208 CDI (901.611, 901.612, 901.621, 902.611, 902.612,...) (OM 611.987)	Diesel	RWD	2148	60	82	04.00-05.06	*
211 CDI (901.621, 902.611, 902.612, 902.621, 902.622) (OM 611.981)	Diesel	RWD	2148	80	109	04.00-05.06	*
213 CDI (901.621, 902.611, 902.612, 902.621, 902.622) (OM 611.981)	Diesel	RWD	2148	95	129	04.00-05.06	*
208 D (901.311, 901.312, 901.321, 902.311, 902.312,...) (OM 601.943)	Diesel	RWD	2299	58	79	01.95-04.00	*
208 D (901.311, 901.312, 901.321, 902.311, 902.312,...) (OM 601.943)	Diesel	RWD	2299	60	82	09.96-04.00	*
216 CDI (902.611, 902.612, 902.621, 902.622) (OM 612.981)	Diesel	RWD	2685	115	156	04.00-05.06	*
210 D (901.421, 902.412) (OM 602.980)	Diesel	RWD	2874	75	102	01.97-04.00	*
212 D (901.421, 902.412) (OM 602.980)	Diesel	RWD	2874	90	122	02.95-04.00	*
<b>SPRINTER 3-Ton. (B903) 01.95-05.12</b>				<b>[CAMBIADO]:Furgón (LCVs-N1 Segment)</b>			
314 (903.061, 903.062, 903.063, 903.661, 903.662) (M 111.979)	Gasolina	RWD	2295	105	143	02.95-05.06	*
314 (903.061, 903.062, 903.063, 903.661, 903.662) (M 111.984)	Gasolina	RWD	2295	105	143	02.95-05.06	*
314 4x4 (903.661, 903.662, 903.663) (M 111.984)	Gasolina	4WD	2295	105	143	02.95-05.06	*

# LISTA DE APLICACIONES - BUYERS GUIDE

314 NGT (903.661, 903.061, 903.062, 903.063, 903.662) (M 111.979)	Gasol./Gas (CNG)	RWD	2295	95	129	02.95-05.06	*
314 NGT (903.661, 903.061, 903.062, 903.063, 903.662) (M 111.984)	Gasol./Gas (CNG)	RWD	2295	95	129	02.95-05.06	*
308 CDI (903.661, 903.662, 903.663) (OM 611.987)	Diesel	RWD	2148	60	82	04.00-05.06	*
311 CDI (903.661, 903.662, 903.663) (OM 611.981)	Diesel	RWD	2148	80	109	04.00-05.06	*
311 CDI 4x4 (903.662, 903.663) (OM 611.981)	Diesel	4WD	2148	80	109	08.02-05.06	*
313 CDI (903.663, 903.662, 903.661) (OM 611.981)	Diesel	RWD	2148	95	129	04.00-05.06	*
313 CDI 4x4 (903.662, 903.663) (OM 611.981)	Diesel	4WD	2148	95	129	08.02-05.06	*
2.3 D	Diesel	RWD	2299	58	79	06.97-12.99	*
308 D 2.3 (903.361, 903.362, 903.363) (OM 601.943)	Diesel	RWD	2299	58	79	02.95-04.00	*
308 D 2.3 (903.361) (OM 601.943)	Diesel	RWD	2299	60	82	02.95-04.00	*
316 CDI (903.661, 903.662, 903.663) (OM 612.981)	Diesel	RWD	2685	115	156	04.00-05.06	*
316 CDI (903.661, 903.662, 903.663) (OM 647.981)	Diesel	RWD	2685	115	156	04.00-05.06	*
316 CDI 4x4 (903.662, 903.663) (OM 612.981)	Diesel	4WD	2685	115	156	02.01-05.06	*
316 CDI 4x4 (903.662, 903.663) (OM 647.981)	Diesel	4WD	2685	115	156	02.01-05.06	*
310 D 2.9 (903.461, 903.462, 903.463) (OM 602.980)	Diesel	RWD	2874	75	102	02.95-04.00	*
310 D 2.9 4x4 (903.461, 903.462) (OM 602.980)	Diesel	4WD	2874	75	102	06.97-04.00	*
312 D 2.9 (903.461, 903.462, 903.463) (OM 602.980)	Diesel	RWD	2874	90	122	02.95-04.00	*
312 D 2.9 4x4 (903.461, 903.462) (OM 602.980)	Diesel	4WD	2874	90	122	05.97-08.02	*
<b>SPRINTER 3-Ton. (B903) 01.95-05.12</b>				<b>Bus (Minibus-M2-Segment)</b>			
314 (903.071, 903.072, 903.073, 903.671, 903.672,...) (M 111.979)	Gasolina	RWD	2295	105	143	02.95-05.06	*
314 (903.071, 903.072, 903.073, 903.671, 903.672,...) (M 111.984)	Gasolina	RWD	2295	105	143	02.95-05.06	*
314 4x4 (903.672, 903.673) (M 111.984)	Gasolina	4WD	2295	105	143	02.95-05.06	*
314 NGT (903.072, 903.671, 903.672) (M 111.979)	Gasol./Gas (CNG)	RWD	2295	95	129	02.95-05.06	*
314 NGT (903.072, 903.671, 903.672) (M 111.984)	Gasol./Gas (CNG)	RWD	2295	95	129	02.95-05.06	*
308 E	Eléctrico	RWD		40	54	01.96-05.06	*
308 CDI (903.671, 903.672, 903.673) (OM 611.987)	Diesel	RWD	2148	60	82	04.00-05.06	*
311 CDI (903.671, 903.672) (OM 611.981)	Diesel	RWD	2148	80	109	04.00-05.06	*
311 CDI 4x4 (903.672, 903.673) (OM 611.981)	Diesel	4WD	2148	80	109	08.02-05.06	*
313 CDI (903.671, 903.672, 903.673) (OM 611.981)	Diesel	RWD	2148	95	129	04.00-05.06	*
313 CDI 4x4 (903.672, 903.673) (OM 611.981)	Diesel	4WD	2148	95	129	08.02-05.06	*
2.3 D	Diesel	RWD	2299	58	79	06.97-12.99	*
308 D (903.372, 903.373) (OM 601.943)	Diesel	RWD	2299	58	79	02.95-04.00	*
308 D (903.371, 903.372, 903.373) (OM 601.943)	Diesel	RWD	2299	60	82	03.97-04.00	*
316 CDI (903.671, 903.672, 903.673) (OM 612.981)	Diesel	RWD	2685	115	156	04.00-05.06	*
316 CDI (903.671, 903.672, 903.673) (OM 647.981)	Diesel	RWD	2685	115	156	04.00-05.06	*
316 CDI 4x4 (903.672, 903.673) (OM 612.981)	Diesel	4WD	2685	115	156	08.02-05.06	*
316 CDI 4x4 (903.672, 903.673) (OM 647.981)	Diesel	4WD	2685	115	156	08.02-05.06	*
310 D (903.471, 903.472, 903.473) (OM 602.980)	Diesel	RWD	2874	75	102	01.97-12.99	*
310 D 4x4 (903.472, 903.473) (OM 602.980)	Diesel	4WD	2874	75	102	05.97-08.02	*
312 D 2.9 (903.471, 903.472, 903.473) (OM 602.980)	Diesel	RWD	2874	90	122	02.95-04.00	*
312 D 2.9 4x4 (903.473) (OM 602.980)	Diesel	4WD	2874	90	122	05.97-08.02	*
<b>SPRINTER 3-Ton. (B903) 01.95-05.12</b>				<b>Caja/Chasis (LCVs-N1 Segment)</b>			
314 (903.011, 903.012, 903.013, 903.022, 903.612,...) (M 111.979)	Gasolina	RWD	2295	105	143	02.95-05.06	*

# LISTA DE APLICACIONES - BUYERS GUIDE

314 (903.011, 903.012, 903.013, 903.022, 903.612,... (M 111.984)	Gasolina	RWD	2295	105	143	02.95-05.06	*
314 4x4 (903.612, 903.613, 903.622) (M 111.984)	Gasolina	4WD	2295	105	143	02.95-05.06	*
314 NGT (903.611, 903.612, 903.613, 903.622, 903.012,... (M 111.979)	Gasol./Gas (CNG)	RWD	2295	95	129	02.95-05.06	*
314 NGT (903.611, 903.612, 903.613, 903.622, 903.012,... (M 111.984)	Gasol./Gas (CNG)	RWD	2295	95	129	02.95-05.06	*
308 CDI (903.611, 903.612, 903.613, 903.621, 903.622,... (OM 611.987)	Diesel	RWD	2148	60	82	04.00-05.06	*
311 CDI (903.611, 903.612, 903.613, 903.621, 903.622,... (OM 611.981)	Diesel	RWD	2148	80	109	04.00-05.06	*
311 CDI 4x4 (903.612, 903.613, 903.622, 903.623) (OM 611.981)	Diesel	4WD	2148	80	109	04.00-05.06	*
313 CDI (903.611, 903.612, 903.621, 903.622, 903.623,... (OM 611.981)	Diesel	RWD	2148	95	129	04.00-05.06	*
313 CDI 4x4 (903.612, 903.613, 903.622, 903.623) (OM 611.981)	Diesel	4WD	2148	95	129	04.00-05.06	*
308 D 2.3 (903.311, 903.322) (OM 601.943)	Diesel	RWD	2299	58	79	02.95-04.00	*
308 D 2.3 (903.311, 903.322) (OM 601.943)	Diesel	RWD	2299	60	82	11.96-04.00	*
316 CDI (903.611, 903.612, 903.613, 903.621, 903.622,... (OM 612.981)	Diesel	RWD	2685	115	156	04.00-05.06	*
316 CDI (903.611, 903.612, 903.613, 903.621, 903.622,... (OM 647.981)	Diesel	RWD	2685	115	156	04.00-05.06	*
316 CDI 4x4 (903.612, 903.613, 903.622, 903.623) (OM 612.981)	Diesel	4WD	2685	115	156	08.02-05.06	*
316 CDI 4x4 (903.612, 903.613, 903.622, 903.623) (OM 647.981)	Diesel	4WD	2685	115	156	08.02-05.06	*
310 D 2.9 (903.411, 903.412, 903.413, 903.421, 903.422,... (OM 602.980)	Diesel	RWD	2874	75	102	01.97-04.00	*
310 D 2.9 4x4 (903.421, 903.422, 903.423) (OM 602.980)	Diesel	4WD	2874	75	102	01.97-04.00	*
312 D 2.9 (903.411, 903.412, 903.421, 903.422, 903.423) (OM 602.980)	Diesel	RWD	2874	85	116	12.98-09.01	*
312 D 2.9 (903.411, 903.412, 903.421, 903.422, 903.423) (OM 602.980)	Diesel	RWD	2874	90	122	02.95-04.00	*
<b>SPRINTER 4-Ton. (B904) 02.95-05.12</b>						<b>[CAMBIADO]:Furgón (LCVs-N1 Segment)</b>	
414 4x4 (904.062, 904.063, 904.662, 904.663) (M 111.979)	Gasolina	4WD	2295	105	143	05.97-05.06	*
414 4x4 (904.062, 904.063, 904.662, 904.663) (M 111.984)	Gasolina	4WD	2295	105	143	05.97-05.06	*
411 CDI 4x4 (904.663, 904.662) (OM 611.981)	Diesel	4WD	2148	80	109	04.00-05.06	*
413 CDI 4x4 (904.663) (OM 611.981)	Diesel	4WD	2148	95	129	04.00-05.06	*
416 CDI 4x4 (904.663) (OM 612.981)	Diesel	4WD	2685	115	156	04.00-05.06	*
416 CDI 4x4 (904.663) (OM 647.981)	Diesel	4WD	2685	115	156	04.00-05.06	*
<b>SPRINTER 4-Ton. (B904) 02.95-05.12</b>						<b>Caja/Chasis (LCVs-N1 Segment)</b>	
414 4x4 (904.012, 904.013, 904.612, 904.613) (M 111.979)	Gasolina	4WD	2295	105	143	05.97-05.06	*
414 4x4 (904.012, 904.013, 904.612, 904.613) (M 111.984)	Gasolina	4WD	2295	105	143	05.97-05.06	*
411 CDI 4x4 (904.612, 904.623, 904.622, 904.613) (OM 611.981)	Diesel	4WD	2148	80	109	04.00-05.06	*
413 CDI 4x4 (904.623, 904.613) (OM 611.981)	Diesel	4WD	2148	95	129	04.00-05.06	*
416 CDI 4x4 (904.613, 904.623) (OM 612.981)	Diesel	4WD	2685	115	156	04.00-05.06	*
416 CDI 4x4 (904.613, 904.623) (OM 647.981)	Diesel	4WD	2685	115	156	04.00-05.06	*
<b>V-Class (638/2) 02.96-07.03</b>						<b>Bus (Minibus-M2-Segment)</b>	
V 200 (638.214, 638.294) (M 111.948)	Gasolina	FWD	1998	95	129	02.97-07.03	*
V 200 (638.214, 638.294) (M 111.950)	Gasolina	FWD	1998	95	129	02.97-07.03	*
V 230 (638.234, 638.294) (M 111.978)	Gasolina	FWD	2295	105	143	10.96-07.03	*
V 230 (638.234, 638.294) (M 111.980)	Gasolina	FWD	2295	105	143	10.96-07.03	*
V 280 (638.244, 638.294) (M 104.900)	Gasolina	FWD	2792	128	174	08.97-07.03	*

## LISTA DE APLICACIONES - BUYERS GUIDE

V 200 CDI (638.294) (OM 611.980)	Diesel	FWD	2148	75	102	03.99-07.03	*
V 220 CDI (638.294) (OM 611.980)	Diesel	FWD	2148	90	122	03.99-07.03	*
V 230 TD (638.274) (OM 601.970)	Diesel	FWD	2299	72	98	09.96-07.03	*
<b>VITO (W638) 03.97-07.03</b>						<b>[CAMBIADO]:Furgón (LCVs-N1 Segment)</b>	
113 2.0 (638.014, 638.094) (M 111.948)	Gasolina	FWD	1998	95	129	03.97-07.03	*
113 2.0 (638.014, 638.094) (M 111.950)	Gasolina	FWD	1998	95	129	03.97-07.03	*
114 2.3 (638.034, 638.094) (M 111.978)	Gasolina	FWD	2295	105	143	03.97-07.03	*
108 D 2.3 (638.064, 638.068) (OM 601.942)	Diesel	FWD	2299	58	79	03.97-07.03	*
110 D 2.3 (638.074, 638.078) (OM 601.970)	Diesel	FWD	2299	72	98	03.97-07.03	*
<b>VITO (W638) 02.96-12.03</b>						<b>Bus (Minibus-M2-Segment)</b>	
113 2.0 (638.114, 638.194) (M 111.948)	Gasolina	FWD	1998	95	129	02.96-07.03	*
113 2.0 (638.114, 638.194) (M 111.950)	Gasolina	FWD	1998	95	129	02.96-07.03	*
114 2.3 (638.134, 638.194) (M 111.978)	Gasolina	FWD	2295	105	143	12.96-07.03	*
114 2.3 (638.134, 638.194) (M 111.980)	Gasolina	FWD	2295	105	143	12.96-07.03	*
108 D 2.3 (638.164) (OM 601.942)	Diesel	FWD	2299	58	79	02.96-07.03	*
110 TD 2.3 (638.174) (OM 601.970)	Diesel	FWD	2299	72	98	02.96-07.03	*