

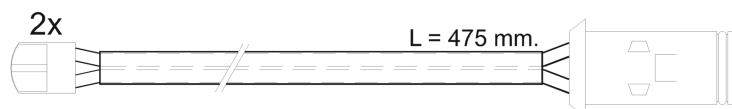
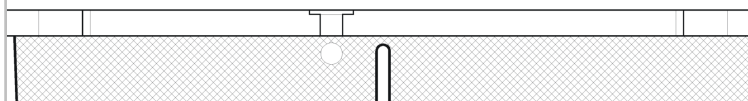
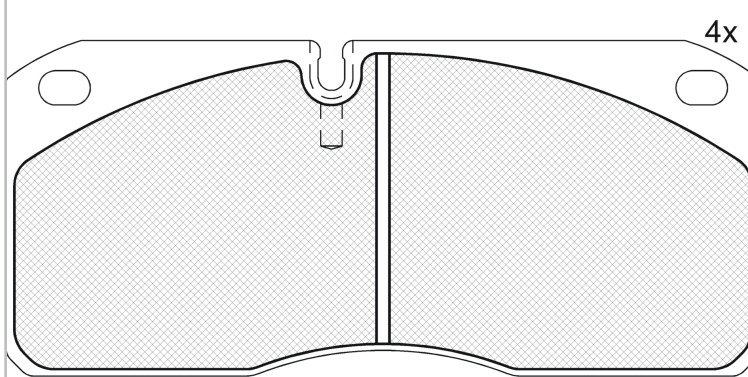
LISTA DE APLICACIONES - BUYERS GUIDE

RB1078-116



Qty: 660 Weight: 4.500

O.E.M.	MAKE
190 6043	IVECO
190 6402	IVECO



1 - Ref. 610255 E



1 - Ref. 690122 E

RB1078-116



90R-01178/690

Lucas - Girling

175.45x78.1x22

WVA

29067

Sin Filas



Trac.	CC	Kw	CV
-------	----	----	----



Front / Rear

IVECO

							Veh. Municipal	
10.00-07.07								
100 E 21 tector (F4AE0681D)		Diesel		5883	154	209	09.00-07.07	* *
100 E 25 W tector (F4AE3681D)		Diesel		5883	185	251	05.06-07.07	* *
EuroCargo I-III 01.91-09.15							Cabeza tractora	
180 E 21 T (8060.45.4100 TCA)		Diesel		5861	152	207	01.91-09.15	* *
EuroCargo I-III 01.91-09.15							Caja/Chasis	
80 EL 15 tector (F4AE0481C)		Diesel		3922	110	149	09.00-09.15	* *
80 EL 16 tector, 80 EL 16 P tector (F4AE3481D)		Diesel		3922	118	160	09.06-09.15	* *
100 E 17, 100 E 17 DP tector, 100 E 18 tector (F4AE0481A)		Diesel		3922	125	170	09.00-09.15	* *
100 E 17, 100 E 17 DP tector, 100 E 18 tector (F4AE3481B)		Diesel		3922	125	170	09.00-09.15	* *
80 E 17, 80 E 17 D tector, 80 E 17 DP tector, 80 E 18 tector (F4AE0481A)		Diesel		3922	125	170	09.00-09.15	* *
80 E 17, 80 E 17 D tector, 80 E 17 DP tector, 80 E 18 tector (F4AE3481B)		Diesel		3922	125	170	09.00-09.15	* *
90 E 17, 90 E 17D tector, 90 E 17 DP tector, 90 E 18 tector (F4AE0481A)		Diesel		3922	125	170	09.00-09.15	* *
90 E 17, 90 E 17D tector, 90 E 17 DP tector, 90 E 18 tector (F4AE3481B)		Diesel		3922	125	170	09.00-09.15	* *
100 E 18 tector, 100 E 18 P tector, 100 E 18 FP tector (F4AE3481B)		Diesel		3922	130	177	09.06-09.15	* *
80 E 18 tector, 80 E 18 P tector, 80 E 18 FP tector (F4AE3481B)		Diesel		3922	130	177	09.06-09.15	* *
100 E 15, 100 E 15 P (8060.25R.4200 LTC)		Diesel		5861	105	143	01.91-09.15	* *
100 E 15, 100 E 15 P (8060.45R.5000)		Diesel		5861	105	143	01.91-09.15	* *
100 E 15, 100 E 15 P (8060.45R.5001)		Diesel		5861	105	143	01.91-09.15	* *
100 E 15, 100 E 15 P (8060.45R.5003)		Diesel		5861	105	143	01.91-09.15	* *

LISTA DE APLICACIONES - BUYERS GUIDE

100 E 15, 100 E 15 P (8060.45R.5005)	Diesel		5861	105	143	01.91-09.15	*	*	
80 E 15, 80 E 15 P (8060.25R.4200 LTC)	Diesel		5861	105	143	01.91-09.15	*	*	
100 E 18, 100 E 18 P (8060.25V.4000)	Diesel		5861	130	177	01.91-09.15	*	*	
80 E 18, 80 E 18 P, 18 E 80 FP (8060.25V.4000)	Diesel		5861	130	177	01.91-09.15	*	*	
80 E 18, 80 E 18 P, 18 E 80 FP (8060.25V.4000)	Diesel		5861	130	177	01.91-09.15	*	*	
100 E 21, 100 E 21 P (8060.45.4100 TCA)	Diesel		5861	152	207	01.91-09.15	*	*	
100 E 21, 100 E 21 P (8060.45.4180)	Diesel		5861	152	207	01.91-09.15	*	*	
80 E 21, 80 E 21 P, 21 E 80 FP (8060.45.4100 TCA)	Diesel		5861	152	207	01.91-09.15	*	*	
80 E 21, 80 E 21 P, 21 E 80 FP (8060.45.4180)	Diesel		5861	152	207	01.91-09.15	*	*	
80E21, 80E21P, 80E21FP, 80EL21, 80EL21P (8060.45.4100 TCA)	Diesel		5861	152	207	01.91-09.15	*	*	
80E21, 80E21P, 80E21FP, 80EL21, 80EL21P (8060.45.4180)	Diesel		5861	152	207	01.91-09.15	*	*	
90 E 18 tector, 90 E 18 D tector, 90 E 18 DP tector (F4AE0681E)	Diesel		5883	130	177	09.00-09.15	*	*	
100 E 18 tector, 100 E 18 P tector, 100 E 18 FP tector (F4AE0681D)	Diesel		5883	134	181	09.00-09.15	*	*	
100 E 18 tector, 100 E 18 P tector, 100 E 18 FP tector (F4AE0681E)	Diesel		5883	134	181	09.00-09.15	*	*	
100 E 18 W tector, 100 E 18 WS tector (F4AE0681E)	Diesel		5883	134	181	09.00-09.15	*	*	
100 E 18 W tector, 100 E 18 WS tector (F4AE3681C)	Diesel		5883	134	181	09.00-09.15	*	*	
80 E 18 tector, 80 E 18 D tector, 80 E 18 DP tector (F4AE0681D)	Diesel		5883	134	181	09.00-09.15	*	*	
80 E 18 tector, 80 E 18 D tector, 80 E 18 DP tector (F4AE0681E)	Diesel		5883	134	181	09.00-09.15	*	*	
100 E 21, 100 E 21 DP tector, 100 E 22 tector (F4AE0681D)	Diesel		5883	154	209	09.00-09.15	*	*	
100 E 21, 100 E 21 DP tector, 100 E 22 tector (F4AE3681B)	Diesel		5883	154	209	09.00-09.15	*	*	
100 E 21 W tector, 100 E 21 WS tector (F4AE0681D)	Diesel		5883	154	209	09.00-09.15	*	*	
80 E 21, 80 E 21 D tector, 80 E 21 DP tector, 80 E 22 tector (F4AE0681D)	Diesel		5883	154	209	09.00-09.15	*	*	
80 E 21, 80 E 21 D tector, 80 E 21 DP tector, 80 E 22 tector (F4AE3681B)	Diesel		5883	154	209	09.00-09.15	*	*	
90 E 21, 90 E 21 D tector, 90 E 21 DP tector, 90 E 22 tector (F4AE0681D)	Diesel		5883	154	209	09.00-09.15	*	*	
90 E 21, 90 E 21 D tector, 90 E 21 DP tector, 90 E 22 tector (F4AE3681B)	Diesel		5883	154	209	09.00-09.15	*	*	
EuroCargo I-III 01.91-09.15							Camión volquete		
100 E 17 K tector, 100 E 17 DK tector (F4AE0481A)	Diesel		3922	125	170	09.00-09.15	*	*	
80 E 17 K, 80 E 17 DK tector, 80 E 18 K tector (F4AE0481A)	Diesel		3922	125	170	09.00-09.15	*	*	
80 E 17 K, 80 E 17 DK tector, 80 E 18 K tector (F4AE3481B)	Diesel		3922	125	170	09.00-09.15	*	*	
90 E 17 K tector, 90 E 17 DK tector (F4AE0481A)	Diesel		3922	125	170	09.00-09.15	*	*	
100 E 18 K tector (F4AE3481B)	Diesel		3922	130	177	09.06-09.15	*	*	
100 E 15 K (8060.25R.4200 LTC)	Diesel		5861	105	143	01.91-09.15	*	*	
80 E 15 K (8060.25R.4200 LTC)	Diesel		5861	105	143	01.91-09.15	*	*	
80 E 15 K (8060.25R.4200 LTC)	Diesel		5861	105	143	01.91-09.15	*	*	
100 E 18 K (8060.25V.4000)	Diesel		5861	130	177	01.91-09.15	*	*	
80 E 18 K (8060.25V.4000)	Diesel		5861	130	177	01.91-09.15	*	*	
80 E 18 K (8060.25V.4000)	Diesel		5861	130	177	01.91-09.15	*	*	
100 E 18 K tector, 100 E 18 DK tector (F4AE0681E)	Diesel		5883	134	181	09.00-09.15	*	*	
80 E 18 K tector, 80 E 18 DK tector (F4AE0681E)	Diesel		5883	134	181	09.00-09.15	*	*	
90 E 18 K tector, 90 E 18 DK tector (F4AE0681E)	Diesel		5883	134	181	09.00-09.15	*	*	
100 E 21 K tector, 100 E 21 DK tector (F4AE0681D)	Diesel		5883	154	209	09.00-09.15	*	*	
180 E 21 K tector (F4AE0681D)	Diesel		5883	154	209	09.00-09.15	*	*	

LISTA DE APLICACIONES - BUYERS GUIDE

80 E 21 K, 80 E 21 DK tector, 80 E 22 K tector (F4AE0681D)	Diesel		5883	154	209	09.00-09.15	*	*	
80 E 21 K, 80 E 21 DK tector, 80 E 22 K tector (F4AE3681B)	Diesel		5883	154	209	09.00-09.15	*	*	
90 E 21 K tector, 90 E 21 DK tector (F4AE0681D)	Diesel		5883	154	209	09.00-09.15	*	*	
EuroFire 01.91-							Veh. Municipal		
75 E 14 (8040.45)	Diesel		3908	100	136	01.91-09.00	*	*	
95 E 18 W (8060.45B)	Diesel		5861	130	177	01.93-09.00	*	*	
Zeta 01.79-12.92							Bus		
A 60-10 (8340.04.040)	Diesel		4570	73	99	11.79-06.88	*	*	
Zeta 01.79-12.92							Caja/Chasis		
50-8 (8040.04.200)	Diesel		3666	63	86	01.83-12.86	*	*	
60-8 (8040.04.200)	Diesel		3666	63	86	11.79-12.83	*	*	
50-9 (8040.05.230)	Diesel		3908	65	88	01.87-03.91	*	*	
65-9 (8040.05.230)	Diesel		3908	65	88	01.87-03.91	*	*	
60-11 (8040.25.230 R)	Diesel		3908	74	101	01.87-03.91	*	*	
65-12 (8040.25.200)	Diesel		3908	85	116	01.87-03.91	*	*	
79-12 (8040.25.200)	Diesel		3908	85	116	01.87-03.91	*	*	
79-12 (8040.25.220)	Diesel		3908	85	116	01.87-03.91	*	*	
79-12 (8040.25.200)	Diesel		3908	85	116	01.87-03.91	*	*	
79-12 (8040.25.220)	Diesel		3908	85	116	01.87-03.91	*	*	
50-10 (8340.04.200)	Diesel		4570	74	101	01.79-12.86	*	*	
50-10 (8340.04.250)	Diesel		4570	74	101	01.79-12.86	*	*	
50-10 (8340.04.300)	Diesel		4570	74	101	01.79-12.86	*	*	
50-10 (8340.04.362)	Diesel		4570	74	101	01.79-12.86	*	*	
60-10 (8340.04.200)	Diesel		4570	74	101	11.79-12.86	*	*	
60-10 (8340.04.250)	Diesel		4570	74	101	11.79-12.86	*	*	
65-10 (8340.04.200)	Diesel		4570	74	101	11.79-01.87	*	*	
65-10 (8340.04.250)	Diesel		4570	74	101	11.79-01.87	*	*	
65-10 (8340.04.300)	Diesel		4570	74	101	11.79-01.87	*	*	
65-10 (8340.04.350)	Diesel		4570	74	101	11.79-01.87	*	*	
79-13 (8060.04.060)	Diesel		5500	96	131	11.79-12.83	*	*	
79-13 (8060.04.660)	Diesel		5500	96	131	11.79-12.83	*	*	
109-14 (8060.04.689)	Diesel		5500	99	135	06.83-12.85	*	*	
95-14 (8060.04.669)	Diesel		5500	99	135	07.83-10.85	*	*	
109-14 (8060.05.289)	Diesel		5861	101	137	11.85-03.91	*	*	
79-14 (8060.05.280)	Diesel		5861	101	137	12.85-03.91	*	*	
79-14 (8060.05.280)	Diesel		5861	101	137	12.85-03.91	*	*	
95-14 (8060.04.669)	Diesel		5861	101	137	11.85-03.91	*	*	
Zeta 01.79-12.92							Camión volquete		
50-8 H (8040.04.200)	Diesel		3666	63	86	01.83-12.86	*	*	
50-9 H (8040.05.230)	Diesel		3908	65	88	01.87-03.91	*	*	
65-12 H (8040.25.200)	Diesel		3908	85	116	01.87-03.91	*	*	
79-12 H (8040.25.200)	Diesel		3908	85	116	01.87-03.91	*	*	
79-12 H (8040.25.220)	Diesel		3908	85	116	01.87-03.91	*	*	
79-12 H (8040.25.200)	Diesel		3908	85	116	01.87-03.91	*	*	
79-12 H (8040.25.220)	Diesel		3908	85	116	01.87-03.91	*	*	
50-10H (8340.04.200)	Diesel		4570	74	101	01.79-12.86	*	*	
50-10H (8340.04.250)	Diesel		4570	74	101	01.79-12.86	*	*	
50-10H (8340.04.300)	Diesel		4570	74	101	01.79-12.86	*	*	
50-10H (8340.04.362)	Diesel		4570	74	101	01.79-12.86	*	*	

LISTA DE APLICACIONES - BUYERS GUIDE

60-10H (8340.04.200)	Diesel	4570	74	101	11.79-12.86	*	*
60-10H (8340.04.250)	Diesel	4570	74	101	11.79-12.86	*	*
65-10H (8340.04.200)	Diesel	4570	74	101	11.79-01.87	*	*
65-10H (8340.04.250)	Diesel	4570	74	101	11.79-01.87	*	*
65-10H (8340.04.300)	Diesel	4570	74	101	11.79-01.87	*	*
65-10H (8340.04.350)	Diesel	4570	74	101	11.79-01.87	*	*
79-13 (8060.04.060)	Diesel	5500	96	131	11.79-12.83	*	*
79-13 (8060.04.660)	Diesel	5500	96	131	11.79-12.83	*	*
109-14 H (8060.04.689)	Diesel	5500	99	135	06.83-12.85	*	*
95-14 H (8060.04.669)	Diesel	5500	99	135	07.83-10.85	*	*
109-14 H (8060.05.289)	Diesel	5861	101	137	11.85-03.91	*	
79-14 H (8060.05.280)	Diesel	5861	101	137	12.85-03.91	*	
79-14 H (8060.05.280)	Diesel	5861	101	137	12.85-03.91	*	
95-14 H (8060.04.669)	Diesel	5861	101	137	11.85-03.91	*	
Zeta 01.79-12.92						Furgoneta	
50-8 V (8040.04.200)	Diesel	3666	63	86	01.83-12.86	*	*
60-8 (8040.04.200)	Diesel	3666	63	86	11.79-12.82	*	*
50-9 V (8040.05.230)	Diesel	3908	65	88	01.87-03.91	*	*
60-11 V (8040.25.230 R)	Diesel	3908	74	101	01.87-03.91	*	
65-12 V (8040.25.200)	Diesel	3908	85	116	01.87-03.91	*	
79-12 V (8040.25.200)	Diesel	3908	85	116	01.87-03.91	*	
79-12 V (8040.25.220)	Diesel	3908	85	116	01.87-03.91	*	
79-12 V (8040.25.200)	Diesel	3908	85	116	01.87-03.91	*	
79-12 V (8040.25.220)	Diesel	3908	85	116	01.87-03.91	*	
50-10V (8340.04.200)	Diesel	4570	74	101	01.79-12.86	*	*
50-10V (8340.04.250)	Diesel	4570	74	101	01.79-12.86	*	*
50-10V (8340.04.300)	Diesel	4570	74	101	01.79-12.86	*	*
50-10V (8340.04.362)	Diesel	4570	74	101	01.79-12.86	*	*
60-10V (8340.04.200)	Diesel	4570	74	101	11.79-12.86	*	*
60-10V (8340.04.250)	Diesel	4570	74	101	11.79-12.86	*	*
65-10V (8340.04.200)	Diesel	4570	74	101	11.79-01.87	*	*
65-10V (8340.04.250)	Diesel	4570	74	101	11.79-01.87	*	*
65-10V (8340.04.300)	Diesel	4570	74	101	11.79-01.87	*	*
65-10V (8340.04.350)	Diesel	4570	74	101	11.79-01.87	*	*
79-13 (8060.04.060)	Diesel	5500	96	131	11.79-12.83	*	*
79-13 (8060.04.660)	Diesel	5500	96	131	11.79-12.83	*	*
79-14 V (8060.05.280)	Diesel	5861	101	137	12.85-03.91	*	
79-14 V (8060.05.280)	Diesel	5861	101	137	12.85-03.91	*	