

# LISTA DE APLICACIONES - BUYERS GUIDE

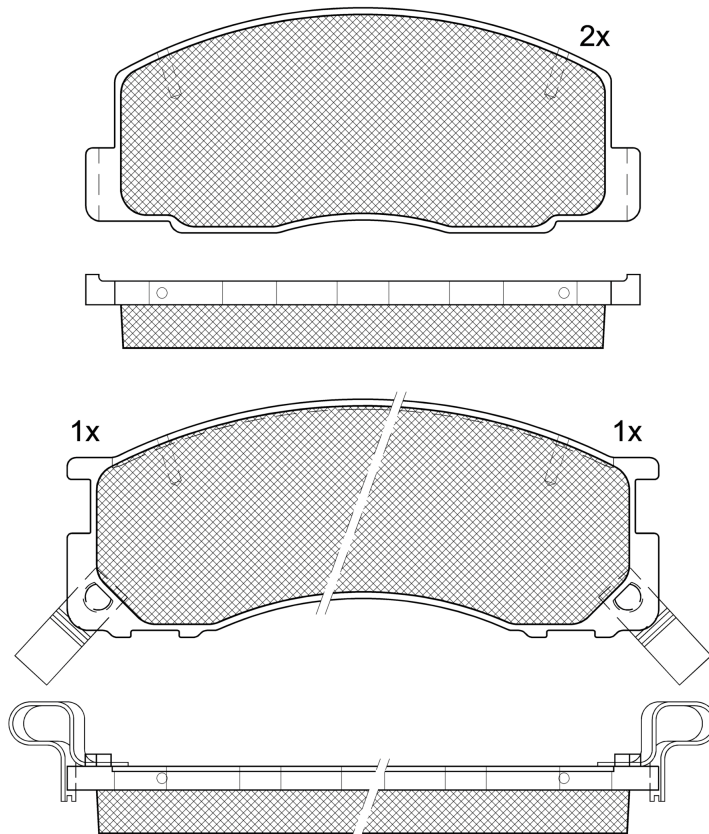
## RB1057



Qty: 639

Weight: 1.475

O.E.M.	MAKE
04465-28040	TOYOTA
04465-28160	TOYOTA
04465-28170	TOYOTA
04465-28171	TOYOTA
04465-28360	TOYOTA
04465-28390	TOYOTA
04491-28171	TOYOTA
04491-28210	TOYOTA
04491-28220	TOYOTA
04491-28221	TOYOTA
04491-28281	TOYOTA
04491-28340	TOYOTA
04491-28350	TOYOTA



## RB1057

**E 9** 90R-01109/1644



Akebono

128.3x52.1x15.5
136.9x55.1x15.5

WVA	FMSI
21835	D500-7380
21836	D615-7380
21837	
23015	
23016	

Sin Filas



Trac.	CC	Kw	CV		
					Front / Rear

### TOYOTA

							<b>[CAMBIADO]:Furgón (LCVs-N1 Segment)</b>			
<b>LITEACE (_R2_V) 01.92-01.95</b>										
2.2 (YR29LV) (4Y-EC)		Gasolina	RWD	2237	72	98	01.92-01.95	*		
<b>LITEACE / SPACIA (_R2_) 01.92-01.98</b>							<b>Bus (Minibus-M2-Segment)</b>			
1.5 (KR21LG) (5K)		Gasolina	RWD	1486	52	71	01.92-01.95	*		
2.2 (YR22LG) (4Y-EC)		Gasolina	RWD	2237	72	98	01.92-01.95	*		
2.0 D (CR21LG) (2C)		Diesel	RWD	1974	53	72	01.92-05.94	*		
2.2 D (YR29_) (3C-TE)		Diesel	RWD	2184	66	90	02.95-08.97	*		
<b>PREVIA / ESTIMA / TARAGO (_R1_, _R2_) 01.90-08.00</b>							<b>MPV (Large MPV-M1 Segment)</b>			
2.4 (TCR11_, TCR10_, TCR10R, TCR11R) (2TZ-FE)		Gasolina	RWD	2438	97	132	05.90-08.00	*		
2.4 4WD (TCR21_, TCR20_, TCR21R, TCR20R) (2TZ-FE)		Gasolina	4WD	2438	97	132	01.90-08.00	*		
2.4		Gasolina	FWD	2438	110	150	05.90-12.99	*		
2.4 GX		Gasolina	FWD	2438	110	150	01.94-07.97	*		
2.4 (TCR10_) (2TZ-FZE)		Gasolina	RWD	2438	118	160	09.93-12.97	*		
<b>TOWN ACE II (_R4_, _R5_) 05.95-07.07</b>							<b>Bus (Minibus-M2-Segment)</b>			
2.0 4WD (SR50G_, SR50G) (3S-FE)		Gasolina	4WD	1998	96	130	10.96-10.01	*		