

LISTA DE APLICACIONES - BUYERS GUIDE

**RB1054-700**

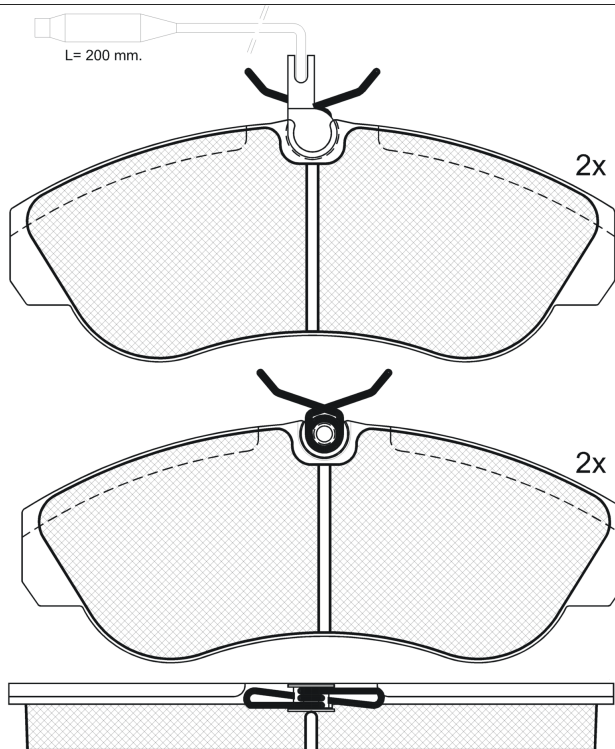


8 424073 125972

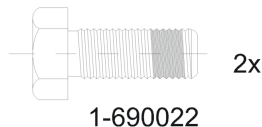
Qty: 639

Weight: 2.385

O.E.M.	MAKE
4251.18	PEUGEOT
4251.19	CITROËN
4254.52	CITROËN
7 175 299 3	FIAT
7 177 097 3	FIAT
7 736 220 9	FIAT
86 60 004 712	RENAULT
86 71 016 669	RENAULT
9 945 810	FIAT



**141054-700**



**RB1054-700**



Lucas - Girling



E1 90R-01217/041

159.8x64.25x19.7

WVA
21629
21630
21799
21800

Sin Filas



Trac.	CC	Kw	CV		
					Front / Rear

**CITROËN**

							<b>[CAMBIADO]:Furgón (LCVs-N1 Segment)</b>			
<b>JUMPER II / RELAY (230L) 02.94-08.02</b>										
2.0 (RFW (XU10J2U))		Gasolina	FWD	1998	80	109	03.94-04.02	*		
2.0 4x4 (RFW (XU10J2U))		Gasolina	4WD	1998	80	109	10.96-01.02	*		
2.5 D (T9A (DJ5))		Diesel	FWD	2446	63	86	03.94-04.02	*		
2.5 D 4x4 (T9A (DJ5))		Diesel	4WD	2446	63	86	03.00-04.02	*		
2.5 DT 4x4 (THZ (DJ5T))		Diesel	4WD	2446	76	103	10.96-08.97	*		
2.5 TD (T8A (DJ5T))		Diesel	FWD	2446	76	103	03.94-04.02	*		
2.5 TDI (THX (DJ5TED))		Diesel	FWD	2446	79	107	12.96-11.00	*		
2.5 TDI 4x4 (THX (DJ5TED))		Diesel	4WD	2446	79	107	03.00-11.00	*		
2.8 D (8140.63 (F28D))		Diesel	FWD	2798	64	87	01.99-02.02	*		
2.8 HDI (8140.43S)		Diesel	FWD	2798	94	128	09.00-04.02	*		
2.8 HDi 4x4 (8140.43S)		Diesel	4WD	2798	94	128	09.00-04.02	*		
2.8 HDi 4x4 (8140.43S)		Diesel	4WD	2798	94	128	04.02-06.06	*		
<b>JUMPER II / RELAY (230P) 02.94-04.02</b>							<b>Bus (Minibus-M2-Segment)</b>			
2.0 (RFW (XU10J2U))		Gasolina	FWD	1998	80	109	02.94-04.02	*		
2.0 4x4 (RFW (XU10J2U))		Gasolina	4WD	1998	80	109	08.96-04.02	*		
2.5 D (T9A (DJ5))		Diesel	FWD	2446	63	86	08.94-04.02	*		
2.5 D 4x4 (T9A (DJ5))		Diesel	4WD	2446	63	86	08.96-04.02	*		
2.5 TD (T8A (DJ5T))		Diesel	FWD	2446	76	103	08.94-04.02	*		
2.5 TD 4x4 (T8A (DJ5T))		Diesel	4WD	2446	76	103	08.96-04.02	*		
2.5 TDI (THX (DJ5TED))		Diesel	FWD	2446	79	107	12.96-11.00	*		
2.5 TDI 4x4 (THX (DJ5TED))		Diesel	4WD	2446	79	107	12.96-11.00	*		
2.8 HDI (8140.43S)		Diesel	FWD	2798	94	128	09.00-04.02	*		

# LISTA DE APLICACIONES - BUYERS GUIDE

2.8 HDi 4x4 (8140.43S)	Diesel	4WD	2798	94	128	09.00-04.02	*
<b>JUMPER II / RELAY (230) 03.94-04.02</b>				<b>Caja/Chasis (LCVs-N1 Segment)</b>			
2.0 (RFW (XU10J2U))	Gasolina	FWD	1998	80	109	03.94-04.02	*
2.5 D (T9A (DJ5))	Diesel	FWD	2446	63	86	03.94-04.02	*
2.5 D 4x4 (T9A (DJ5))	Diesel	4WD	2446	63	86	03.00-04.02	*
2.5 TD (T8A (DJ5T))	Diesel	FWD	2446	76	103	03.94-04.02	*
2.5 TDI (THX (DJ5TED))	Diesel	FWD	2446	79	107	12.96-04.02	*
2.5 TDI 4x4 (THX (DJ5TED))	Diesel	4WD	2446	79	107	03.00-04.02	*
2.8 D (8140.63 (F28D))	Diesel	FWD	2798	64	87	01.99-02.02	*
2.8 HDI	Diesel	FWD	2798	93	126	10.00-01.02	*
2.8 HDI (8140.43S)	Diesel	FWD	2798	94	128	09.00-04.02	*
2.8 HDi 4x4 (F28TDCR)	Diesel	4WD	2798	94	128	02.02-06.06	*
<b>FIAT</b>							
<b>DUCATO II (230_) 03.94-05.05</b>				<b>[CAMBIADO]:Furgón (LCVs-N1 Segment)</b>			
2.0	Gasolina	FWD	1998	74	101	06.94-12.95	*
2.0 (RFW)	Gasolina	FWD	1998	80	109	03.94-04.02	*
2.0 4x4 (RFW)	Gasolina	4WD	1998	80	109	11.94-04.02	*
2.0 JTD (RHV)	Diesel	FWD	1997	62	84	10.01-04.02	*
2.5 TD (8140.47)	Diesel	FWD	2499	80	109	06.94-08.98	*
2.5 TD 4x4 (8140.47)	Diesel	4WD	2499	80	109	11.94-04.98	*
2.5 TD 4x4 (8140.47)	Diesel	4WD	2499	85	116	11.94-04.98	*
2.5 D (8140.67)	Diesel	FWD	2500	62	84	03.94-04.02	*
2.5 D 4x4 (8140.67)	Diesel	4WD	2500	62	84	03.94-04.02	*
2.5 TDI (8140.47R)	Diesel	FWD	2500	80	109	03.94-04.02	*
2.5 TDI (8140.47)	Diesel	FWD	2500	85	116	03.94-04.02	*
2.5 TDI 4x4 (8140.47)	Diesel	4WD	2500	85	116	05.98-04.02	*
2.8 JTD (8140.43S)	Diesel	FWD	2798	94	128	11.00-04.02	*
2.8 JTD 4x4 (8140.43S)	Diesel	4WD	2798	94	128	11.00-04.02	*
2.8 TD 4x4 (8140.43)	Diesel	4WD	2799	90	122	05.98-09.01	*
2.8 D (8140.63)	Diesel	FWD	2800	64	87	05.98-04.02	*
2.8 D 4x4 (8140.63)	Diesel	4WD	2800	64	87	08.98-04.02	*
2.8 TDI (8140.43)	Diesel	FWD	2800	90	122	10.97-04.02	*
2.8 TDI 4x4 (8140.43)	Diesel	4WD	2800	90	122	06.99-04.02	*
<b>DUCATO II (230_) 03.94-05.05</b>				<b>Bus (Minibus-M2-Segment)</b>			
2.0	Gasolina	FWD	1998	74	101	06.94-12.95	*
2.0 Panorama/Combinato (RFW)	Gasolina	FWD	1998	80	109	03.94-04.02	*
2.0 JTD (RHV)	Diesel	FWD	1997	62	84	10.01-04.02	*
2.5 TD 4x4 (8140.47)	Diesel	4WD	2499	85	116	06.94-09.01	*
2.5 TDI Panorama/Combinato (8140.47)	Diesel	FWD	2499	85	116	03.94-04.02	*
2.5 D Combinato (8140.67)	Diesel	FWD	2500	62	84	08.94-04.02	*
2.5 TDI Panorama/Combinato (8140.47R)	Diesel	FWD	2500	80	109	07.94-04.02	*
2.5 TDI 4x4 (8140.47)	Diesel	4WD	2500	85	116	04.97-04.02	*
2.8 JTD (8140.43S)	Diesel	FWD	2798	94	128	11.00-04.02	*
2.8 JTD 4x4 (8140.43S)	Diesel	4WD	2798	94	128	11.00-04.02	*
2.8 D (8140.63)	Diesel	FWD	2800	64	87	02.98-04.02	*
2.8 TDI (8140.43)	Diesel	FWD	2800	90	122	10.97-04.02	*
2.8 TDI 4x4 (8140.43)	Diesel	4WD	2800	90	122	07.99-04.02	*
<b>DUCATO II (230_) 03.94-04.02</b>				<b>Caja/Chasis (LCVs-N1 Segment)</b>			
2.0 (RFW)	Gasolina	FWD	1998	80	109	03.94-04.02	*
2.5 TD (8140.47)	Diesel	FWD	2499	80	109	06.94-08.98	*

# LISTA DE APLICACIONES - BUYERS GUIDE

2.5 TD (8140.47)		Diesel	FWD	2499	85	116	06.94-04.98	*
2.5 D (8140.67)		Diesel	FWD	2500	62	84	03.94-04.02	*
2.5 D 4x4 (8140.67)		Diesel	4WD	2500	62	84	03.94-04.02	*
2.5 TDI (8140.47R)		Diesel	FWD	2500	80	109	03.94-04.02	*
2.5 TDI		Diesel	FWD	2500	85	116	03.94-04.02	*
2.8 JTD (8140.43S)		Diesel	FWD	2798	94	128	11.00-04.02	*
2.8 iDTD 4x4 (8140.43)		Diesel	4WD	2799	90	122	05.98-09.01	*
2.8 D (8140.63)		Diesel	FWD	2800	64	87	02.98-04.02	*
2.8 TDI (8140.43)		Diesel	FWD	2800	90	122	12.98-04.02	*

## PEUGEOT

<b>BOXER II (230L) 03.94-08.06</b>				<b>[CAMBIADO]:Furgón (LCVs-N1 Segment)</b>				
2.0 4x4 (RFW (XU10J2))		Gasolina	4WD	1998	80	109	03.96-09.98	*
2.0 i (RFW (XU10J2))		Gasolina	FWD	1998	80	109	06.94-04.02	*
1.9 DT 4x4 (XUD9TE)		Diesel	4WD	1905	66	90	03.96-09.98	*
2.5 D (T9A (DJ5))		Diesel	FWD	2446	63	86	03.94-04.02	*
2.5 D 4x4 (T9A (DJ5))		Diesel	4WD	2446	63	86	07.99-04.02	*
2.5 TD (T8A (DJ5T))		Diesel	FWD	2446	76	103	03.94-03.02	*
2.5 TDI (THX (DJ5TED))		Diesel	FWD	2446	79	107	01.97-04.02	*
2.5 TDI 4x4 (THX (DJ5TED))		Diesel	4WD	2446	79	107	07.99-04.02	*
2.5 DT		Diesel	FWD	2499	62	84	10.97-11.01	*
2.8 D (8140.63 (F28D))		Diesel	FWD	2798	64	87	01.99-02.02	*
2.8 DTiC		Diesel	FWD	2798	90	122	10.97-08.05	*
2.8 HDI (8140.43S (F28DTCR))		Diesel	FWD	2798	93	126	10.00-11.01	*
2.8 HDi 4x4 (8140.43S (F28DTCR))		Diesel	4WD	2798	93	126	10.00-11.01	*
2.8 HDI (8140.43S (F28DTCR))		Diesel	FWD	2798	94	128	11.00-04.02	*
2.8 HDi 4x4 (8140.43S (F28DTCR))		Diesel	4WD	2798	94	128	10.00-04.02	*

<b>BOXER II (230P) 03.94-12.09</b>				<b>Bus (Minibus-M2-Segment)</b>				
2.0 i (RFW (XU10J2))		Gasolina	FWD	1998	80	109	03.94-04.02	*
2.0 i 4x4 (RFW (XU10J2))		Gasolina	4WD	1998	80	109	08.96-04.02	*
2.5 D (T9A (DJ5))		Diesel	FWD	2446	63	86	08.94-04.02	*
2.5 D 4x4 (T9A (DJ5))		Diesel	4WD	2446	63	86	07.96-04.02	*
2.5 TD (T8A (DJ5T))		Diesel	FWD	2446	76	103	07.94-12.97	*
2.5 TD 4x4 (T8A (DJ5T))		Diesel	4WD	2446	76	103	07.96-04.02	*
2.5 TDI (THX (DJ5TED))		Diesel	FWD	2446	79	107	01.97-04.02	*
2.5 TDI 4x4 (THX (DJ5TED))		Diesel	4WD	2446	79	107	01.97-04.02	*
2.5 DT		Diesel	FWD	2499	62	84	10.97-11.01	*
2.8 D (8140.63 (F28D))		Diesel	FWD	2798	64	87	01.99-02.02	*
2.8 DTiC		Diesel	FWD	2798	90	122	10.97-09.00	*
2.8 HDI (8140.43S (F28DTCR))		Diesel	FWD	2798	93	126	10.00-11.01	*
2.8 HDi A las 4 ruedas (8140.43S (F28DTCR))		Diesel	4WD	2798	93	126	10.00-11.01	*
2.8 HDI (8140.43S (F28DTCR))		Diesel	FWD	2798	94	128	11.00-04.02	*
2.8 HDi 4x4 (8140.43S (F28DTCR))		Diesel	4WD	2798	94	128	10.00-04.02	*

<b>BOXER II (ZCT_) 03.94-04.02</b>				<b>Caja/Chasis (LCVs-N1 Segment)</b>				
2.0 i (RFW (XU10J2))		Gasolina	FWD	1998	80	109	06.94-04.02	*
2.5 D (T9A (DJ5))		Diesel	FWD	2446	63	86	03.94-04.02	*
2.5 D 4x4 (T9A (DJ5))		Diesel	4WD	2446	63	86	07.99-04.02	*
2.5 TD (T8A (DJ5T))		Diesel	FWD	2446	76	103	03.94-12.97	*
2.5 TDI (THX (DJ5TED))		Diesel	FWD	2446	79	107	01.97-04.02	*
2.5 TDI 4x4 (THX (DJ5TED))		Diesel	4WD	2446	79	107	07.99-04.02	*
2.8 D (8140.63 (F28D))		Diesel	FWD	2798	64	87	01.99-02.02	*

## LISTA DE APLICACIONES - BUYERS GUIDE

2.8 HDI (8140.43S (F28DTCR))	Diesel	FWD	2798	93	126	10.00-11.01	*
2.8 HDi A las 4 ruedas (8140.43S (F28DTCR))	Diesel	4WD	2798	93	126	10.00-11.01	*
2.8 HDI (8140.43S (F28DTCR))	Diesel	FWD	2798	94	128	11.00-04.02	*