

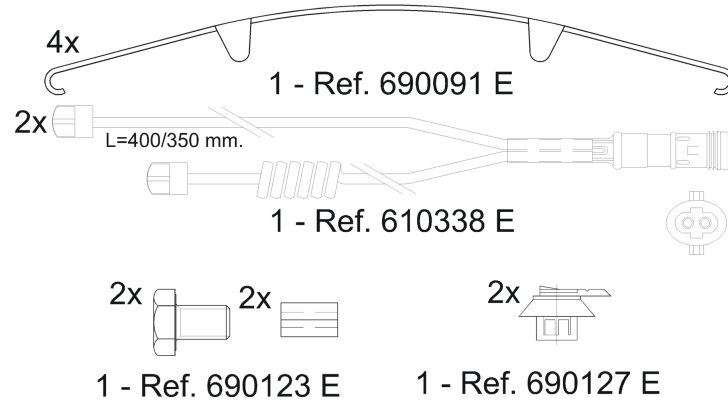
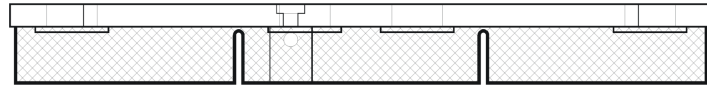
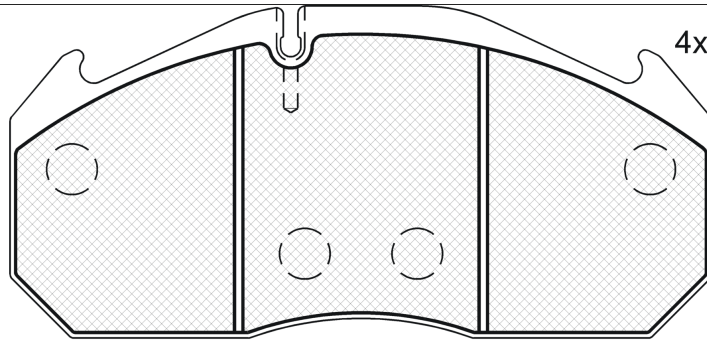
LISTA DE APLICACIONES - BUYERS GUIDE

RB1040-127

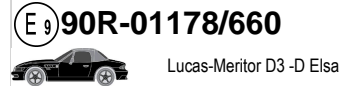


Qty: 660 Weight: 10.960

O.E.M.	MAKE
81 50820 5006	MAN
81 50820 5020	MAN
81 50820 5040	MAN
81 50820 5047	MAN
81 50820 5064	MAN
81 50820 6000	MAN
81 50820 6002	MAN
81 50820 6004	MAN
81 50820 6014	MAN
81 50820 6016	MAN



RB1040-127



249.6x118.2x28

WVA
29113
Sin Filas



Trac.	CC	Kw	CV
-------	----	----	----



MAN

E2000 08.97-

								Cabeza tractora	
19.310 FLS (D 2866 LF23)	Diesel		11967	228	310	05.00-	*	*	
19.360 FLS (D 2866 LF24)	Diesel		11967	265	360	05.00-	*	*	
33.360 DFALS (D 2866 LF24)	Diesel		11967	265	360	04.01-	*	*	
19.410 FLS (D 2866 LF25)	Diesel		11967	301	410	05.00-	*	*	
33.410 DFALS (D 2866 LF25)	Diesel		11967	301	410	04.01-	*	*	
19.460 FLS (D 2876 LF 03)	Diesel		12816	338	460	05.00-	*	*	
29.460 FVAS (D 2876 LF 03)	Diesel		12816	338	460	05.00-	*	*	
33.460 DFALS (D 2876 LF 03)	Diesel		12816	338	460	04.01-	*	*	
41.460 DFVS, DFVLS (D 2876 LF 03)	Diesel		12816	338	460	06.00-	*	*	
41.600 DFVS, DFVLS (D 2840 LF21)	Diesel		18273	441	600	06.00-	*	*	

E2000 08.97-

								Caja/Chasis	
28.310 FNLC (D 2866 LF23)	Diesel		11967	228	310	05.00-	*	*	
28.310 FNLC	Diesel		11967	228	310	05.00-	*	*	
28.310 FNLC	Diesel		11967	228	310	05.00-	*	*	
30.310 FNLC (D 2866 LF23)	Diesel		11967	228	310	05.00-	*	*	
32.310 VFLC (D 2866 LF23)	Diesel		11967	228	310	05.00-	*	*	
32.310 VFNLC (D 2866 LF23)	Diesel		11967	228	310	05.00-	*	*	
32.310 VFNLC (D 2866 LF23)	Diesel		11967	228	310	05.00-	*	*	
28.360 FANLC (D 2866 LF24)	Diesel		11967	265	360	05.00-	*	*	
28.360 FNALC (D 2866 LF24)	Diesel		11967	265	360	05.00-	*	*	
28.360 FNLC (D 2866 LF24)	Diesel		11967	265	360	05.00-	*	*	
28.360 FNLC	Diesel		11967	265	360	05.00-	*	*	
28.360 FNLC	Diesel		11967	265	360	05.00-	*	*	

LISTA DE APLICACIONES - BUYERS GUIDE

30.360 FNLC (D 2866 LF24)		Diesel		11967	265	360	05.00-	*	*
32.360 VFLC (D 2866 LF24)		Diesel		11967	265	360	05.00-	*	*
32.360 VFNLC (D 2866 LF24)		Diesel		11967	265	360	05.00-	*	*
32.360 VFNLC (D 2866 LF24)		Diesel		11967	265	360	05.00-	*	*
33.360 DFALC (D 2866 LF24)		Diesel		11967	265	360	05.00-	*	*
28.410 FANLC (D 2866 LF25)		Diesel		11967	301	410	05.00-	*	*
28.410 FNLC (D 2866 LF25)		Diesel		11967	301	410	05.00-	*	*
28.410 FNLC		Diesel		11967	301	410	05.00-	*	*
28.410 FNLC		Diesel		11967	301	410	05.00-	*	*
30.410 FANLC (D 2866 LF25)		Diesel		11967	301	410	05.00-	*	*
30.410 FNLC (D 2866 LF25)		Diesel		11967	301	410	05.00-	*	*
32.410 VFLC,VFRC, VFLRC (D 2866 LF25)		Diesel		11967	301	410	05.00-	*	*
32.410 VFNLC (D 2866 LF25)		Diesel		11967	301	410	05.00-	*	*
32.410 VFNLC (D 2866 LF25)		Diesel		11967	301	410	05.00-	*	*
33.410 DFALC (D 2866 LF25)		Diesel		11967	301	410	05.00-	*	*
35.410 FVNLC (D 2866 LF25)		Diesel		11967	301	410	05.00-	*	*
35.410 FVNLC (D 2866 LF25)		Diesel		11967	301	410	05.00-	*	*
28.460 FANLC (D 2876 LF 03)		Diesel		12816	338	460	05.00-	*	*
28.460 FNLC (D 2876 LF 03)		Diesel		12816	338	460	05.00-	*	*
28.460 FNLC		Diesel		12816	338	460	05.00-	*	*
28.460 FNLC		Diesel		12816	338	460	05.00-	*	*
30.460 FANLC (D 2876 LF 03)		Diesel		12816	338	460	05.00-	*	*
30.460 FNLC (D 2876 LF 03)		Diesel		12816	338	460	05.00-	*	*
32.460 VFARK		Diesel		12816	338	460	05.00-	*	*
32.460 VFLC, VFLRC (D 2876 LF 03)		Diesel		12816	338	460	05.00-	*	*
32.460 VFNLC (D 2876 LF 03)		Diesel		12816	338	460	05.00-	*	*
32.460 VFNLC (D 2876 LF 03)		Diesel		12816	338	460	05.00-	*	*
33.460 DFALC (D 2876 LF 03)		Diesel		12816	338	460	05.00-	*	*
35.460 FVNLC (D 2876 LF 03)		Diesel		12816	338	460	05.00-	*	*
35.460 FVNLC (D 2876 LF 03)		Diesel		12816	338	460	05.00-	*	*
E2000 08.97-								Caja/Chasis	
28.230 FNLC (E 2866 DF 01)		Gasolina		11967	170	231	05.00-	*	*
28.230 FNLC		Gasolina		11967	170	231	05.00-	*	*
E2000 08.97-								Camión volquete	
19.310 FLK (D 2866 LF23)		Diesel		11967	228	310	05.00-	*	*
26.310 FAVLK (D 2866 LF23)		Diesel		11967	228	310	05.00-	*	*
19.360 FLK (D 2866 LF24)		Diesel		11967	265	360	05.00-	*	*
26.360 FAVLK (D 2866 LF24)		Diesel		11967	265	360	05.00-	*	*
28.360 FANLK (D 2866 LF24)		Diesel		11967	265	360	05.00-	*	*
33.360 DFAK, DFALK (D 2866 LF24)		Diesel		11967	265	360	05.00-	*	*
19.410 FLK (D 2866 LF25)		Diesel		11967	301	410	05.00-	*	*
26.410 FAVLK (D 2866 LF25)		Diesel		11967	301	410	05.00-	*	*
28.410 FANLK (D 2866 LF25)		Diesel		11967	301	410	05.00-	*	*
30.410 FANLK (D 2866 LF25)		Diesel		11967	301	410	05.00-	*	*
32.410 VFARK (D 2866 LF25)		Diesel		11967	301	410	05.00-	*	*
33.410 DFAK, DFALK (D 2866 LF25)		Diesel		11967	301	410	05.00-	*	*
50.410 VFAVK, VFAVK-HK, VFAV-G (D 2866 LF25)		Diesel		11967	301	410	03.01-	*	*
19.460 FLK (D 2876 LF 03)		Diesel		12816	338	460	05.00-	*	*
26.460 FAVLK (D 2876 LF 03)		Diesel		12816	338	460	05.00-	*	*
28.460 FANLK (D 2876 LF 03)		Diesel		12816	338	460	05.00-	*	*
30.460 FANLK (D 2876 LF 03)		Diesel		12816	338	460	05.00-	*	*

LISTA DE APLICACIONES - BUYERS GUIDE

33.460 DFAK, DFALK (D 2876 LF 03)	Diesel		12816	338	460	05.00-	*	*
50.460 VFAVK, VFAV-G, VFAVK-HK (D 2876 LF 03)	Diesel		12816	338	460	03.01-	*	*
F2000 01.94-							Cabeza tractora	
26.273 FNLS,26.273 FVLS	Diesel		9973	198	269	01.94-12.95	*	*
27.273DFAS (D 2865 LF22)	Diesel		9973	198	269	01.94-12.95	*	
19.293FAS (D 2865 LF20)	Diesel		9973	213	290	01.94-	*	
19.293FAS (D 2865 LF24)	Diesel		9973	213	290	01.94-	*	
26.293 FNLS,26.293 FVLS	Diesel		9973	213	290	01.94-	*	*
27.293DFAS (D 2865 LF20)	Diesel		9973	213	290	01.94-	*	
27.293DFAS (D 2865 LF24)	Diesel		9973	213	290	01.94-	*	
19.323FAS (D 2865 LF23)	Diesel		9973	235	320	01.94-12.95	*	
26.323 FNLS,26.323 FVLS	Diesel		9973	235	320	01.94-12.95	*	*
27.323DFAS (D 2865 LF23)	Diesel		9973	235	320	01.94-12.95	*	
33.323 DFAS (D 2865 LF23)	Diesel		9973	235	320	01.94-12.95	*	
19.343FAS (D 2865 LF21)	Diesel		9973	250	340	01.94-	*	
26.343 FNLS,26.343 FVLS	Diesel		9973	250	340	01.94-	*	*
27.343DFAS (D 2865 LF21)	Diesel		9973	250	340	01.94-	*	
33.343 DFAS (D 2865 LF21)	Diesel		9973	250	340	01.94-	*	
19.314FAS (D 2866 LF34)	Diesel		11967	228	310	06.98-	*	
27.314 DFAS	Diesel		11967	228	310	05.01-	*	*
19.364FAS (D 2866 LF35)	Diesel		11967	265	360	06.98-	*	
27.364 DFAS	Diesel		11967	265	360	05.01-	*	*
33.364 DFAS	Diesel		11967	265	360	05.01-	*	*
19.373FAS (D 2866 LF21)	Diesel		11967	272	370	01.94-	*	
26.373 FNLS,26.373 FVLS	Diesel		11967	272	370	01.94-12.95	*	*
27.373DFAS (D 2866 LF21)	Diesel		11967	272	370	01.94-	*	
33.373 DFAS (D 2866 LF21)	Diesel		11967	272	370	01.94-	*	
19.403FAS (D 2866 LF20)	Diesel		11967	294	400	01.94-	*	
26.403 FNLS,26.403 FVLS	Diesel		11967	294	400	01.94-	*	*
27.403DFAS (D 2866 LF20)	Diesel		11967	294	400	01.94-	*	
33.403 DFAS (D 2866 LF20)	Diesel		11967	294	400	01.94-	*	
19.414FAS (D 2866 LF31)	Diesel		11967	301	409	06.98-	*	
27.414 DFAS	Diesel		11967	301	409	05.01-	*	*
33.414 DFAS	Diesel		11967	301	409	05.01-	*	*
19.423FAS (D 2866 LF22)	Diesel		11967	309	420	01.94-12.95	*	
26.423 FNLS,26.423 FVLS	Diesel		11967	309	420	01.94-12.95	*	*
27.423DFAS (D 2866 LF22)	Diesel		11967	309	420	01.94-12.95	*	
33.423 DFAS (D 2866 LF22)	Diesel		11967	309	420	01.94-	*	
19.463FAS (D 2876 LF 02)	Diesel		12816	338	460	01.94-	*	
19.464FAS (D 2876 LF 06)	Diesel		12816	338	460	06.98-	*	
26.463 FNLS, FVLS, FVLRs	Diesel		12816	338	460	01.94-	*	*
26.464 DFS, DFLS (D 2876 LF 03)	Diesel		12816	338	460	05.01-	*	*
27.463DFAS (D 2876 LF 02)	Diesel		12816	338	460	01.94-	*	
27.464 DFAS	Diesel		12816	338	460	05.01-	*	*
33.463 DFAS (D 2876 LF 02)	Diesel		12816	338	460	01.94-	*	
33.464 DFAS	Diesel		12816	338	460	05.01-	*	*
40.463 DFAS (D 2876 LF 02)	Diesel		12816	338	460	01.94-	*	*
27.604 DFS	Diesel		18273	441	600	04.00-	*	
33.603 DFAS (D 2840 LF20)	Diesel		18273	441	600	06.96-	*	
33.604 DFAS	Diesel		18273	441	600	04.00-	*	*
33.604 DFS	Diesel		18273	441	600	04.00-	*	

LISTA DE APLICACIONES - BUYERS GUIDE

F2000 01.94-									Caja/Chasis	
19.273FA (D 2865 LF22)		Diesel		9973	198	269	01.94-	*		
24.273 FNLLC (D 2865 LF22)		Diesel		9973	198	269	01.94-12.95	*		
26.273 FNLC,26.273 FNLLC,26.273 FVLC		Diesel		9973	198	269	01.94-12.95	*	*	
27.273DFAC (D 2865 LF22)		Diesel		9973	198	269	01.94-12.95	*		
19.293FAC (D 2865 LF20)		Diesel		9973	213	290	01.94-	*		
19.293FAC (D 2865 LF24)		Diesel		9973	213	290	01.94-	*		
24.293 FNLLC (D 2865 LF24)		Diesel		9973	213	290	01.94-	*		
26.293 FNLC,26.293 FNLLC,26.293 FVLC		Diesel		9973	213	290	01.94-	*	*	
27.293DFAC (D 2865 LF20)		Diesel		9973	213	290	01.94-	*		
27.293DFAC (D 2865 LF24)		Diesel		9973	213	290	01.94-	*		
32.293VFC (D 2865 LF24)		Diesel		9973	213	290	08.95-	*		
19.323FAC (D 2865 LF23)		Diesel		9973	235	320	01.94-12.95	*		
24.323 FNLLC (D 2865 LF23)		Diesel		9973	235	320	01.94-12.95	*		
26.323 FNLC,26.323 FNLLC,26.323 FVLC		Diesel		9973	235	320	01.94-12.95	*	*	
27.323DFAC (D 2865 LF23)		Diesel		9973	235	320	01.94-12.95	*		
33.323 DFAC (D 2865 LF23)		Diesel		9973	235	320	01.94-12.95	*		
19.343FAC (D 2865 LF21)		Diesel		9973	250	340	01.94-	*		
24.343 FNLLC (D 2865 LF21)		Diesel		9973	250	340	01.94-	*		
26.343 FNLC,26.343 FNLLC,26.343 FVLC		Diesel		9973	250	340	01.94-	*	*	
27.343DFAC (D 2865 LF21)		Diesel		9973	250	340	01.94-	*		
32.343VFC (D 2865 LF21)		Diesel		9973	250	340	08.95-	*		
33.343 DFAC (D 2865 LF21)		Diesel		9973	250	340	01.94-	*		
35.343VFC (D 2865 LF21)		Diesel		9973	250	340	08.95-	*	*	
41.343VFC (D 2865 LF21)		Diesel		9973	250	340	08.95-	*	*	
19.314 FAC		Diesel		11967	228	310	05.01-	*	*	
23.314 FNLLC		Diesel		11967	228	310	05.01-	*		
24.314 FNLLRC		Diesel		11967	228	310	05.01-	*	*	
26.314 FNLC, FNLLC, FNLLRC, FNLLW, FNLRC, FNLLRC, FVLC		Diesel		11967	228	310	05.01-	*	*	
27.314 DFAC (D 2866 LF23)		Diesel		11967	228	310	05.01-	*	*	
32.314 VF, VFC (D 2866 LF23)		Diesel		11967	228	310	05.01-	*	*	
19.364FAC (D 2866 LF35)		Diesel		11967	265	360	06.98-	*		
23.364 FNLLC		Diesel		11967	265	360	05.01-	*		
24.364 FNLLRC		Diesel		11967	265	360	05.01-	*	*	
26.364 FNLC, FNLLC, FNLLRC, FNLLW, FNLRC, FNLLRC, FVLC		Diesel		11967	265	360	05.01-	*	*	
27.364 DFAC (D 2866 LF24)		Diesel		11967	265	360	05.01-	*	*	
32.364 VF, VFC (D 2866 LF24)		Diesel		11967	265	360	05.01-	*	*	
33.364 DFAC		Diesel		11967	265	360	05.01-	*	*	
35.364 VF, VFC, VFRC (D 2866 LF24)		Diesel		11967	265	360	05.01-	*	*	
41.364 VF, VFC, VFRC		Diesel		11967	265	360	05.01-	*	*	
19.373FAC (D 2866 LF21)		Diesel		11967	272	370	01.94-	*		
24.373 FNLLC (D 2866 LF21)		Diesel		11967	272	370	01.94-12.95	*		
26.373 FNLC,26.373 FNLLC,26.373 FVLC		Diesel		11967	272	370	01.94-12.95	*	*	
27.373DFAC (D 2866 LF21)		Diesel		11967	272	370	01.94-	*		
33.373 DFAC (D 2866 LF21)		Diesel		11967	272	370	01.94-	*		
35.373 VF, VFC, VFRC		Diesel		11967	272	370	05.01-	*	*	
41.373 VF, VFC, VFRC		Diesel		11967	272	370	05.01-	*	*	
19.403FAC (D 2866 LF20)		Diesel		11967	294	400	01.94-	*		
24.403 FNLLC (D 2866 LF20)		Diesel		11967	294	400	06.94-02.05	*		
26.403 FNLC,26.403 FNLLC,26.403 FVLC		Diesel		11967	294	400	01.94-	*	*	

LISTA DE APLICACIONES - BUYERS GUIDE

27.403DFAC (D 2866 LF20)		Diesel		11967	294	400	01.94-	*	
32.403VFC (D 2866 LF20)		Diesel		11967	294	400	08.95-	*	
33.403 DFAC (D 2866 LF20)		Diesel		11967	294	400	01.94-	*	
35.403 VF, VFC, VFRC (D 2866 LF20)		Diesel		11967	294	400	08.95-	*	
41.403 VF, VFC, VFRC (D 2866 LF20)		Diesel		11967	294	400	08.95-	*	
19.414FAC (D 2866 LF31)		Diesel		11967	301	409	06.98-	*	
23.414 FNLLC		Diesel		11967	301	409	05.01-	*	
24.414 FNLLRC		Diesel		11967	301	409	05.01-	*	*
26.414 FNLC, FNLLC, FNLLRC, FNLLW, FNLRC, FNLLRC, FVLC		Diesel		11967	301	409	05.01-	*	*
27.414 DFAC (D 2866 LF25)		Diesel		11967	301	409	05.01-	*	*
32.414 VF, VFC (D 2866 LF25)		Diesel		11967	301	409	05.01-	*	*
33.414 DFAC		Diesel		11967	301	409	05.01-	*	*
35.414 VF, VFC, VFRC (D 2866 LF25)		Diesel		11967	301	409	05.01-	*	*
41.414 VF, VFC, VFRC		Diesel		11967	301	409	05.01-	*	*
19.423FAC (D 2866 LF22)		Diesel		11967	309	420	01.94-12.95	*	
24.423 FNLLC (D 2866 LF22)		Diesel		11967	309	420	01.94-12.95	*	
26.423 FNLC,26.423 FNLLC,26.423 FVLC		Diesel		11967	309	420	01.94-12.95	*	*
27.423DFAC (D 2866 LF22)		Diesel		11967	309	420	01.94-	*	
33.423 DFAC (D 2866 LF22)		Diesel		11967	309	420	01.94-	*	
35.423 VF, VFC, VFRC		Diesel		11967	309	420	05.01-	*	*
41.423 VF, VFC, VFRC		Diesel		11967	309	420	05.01-	*	*
19.463FAC (D 2876 LF 02)		Diesel		12816	338	460	01.94-	*	
19.464 FAC (D 2876 LF 06)		Diesel		12816	338	460	06.98-	*	*
23.464 FNLLC		Diesel		12816	338	460	05.01-	*	
24.463 FNLLC (D 2876 LF 02)		Diesel		12816	338	460	01.94-	*	
24.464 FNLLRC		Diesel		12816	338	460	05.01-	*	*
26.463 FNLC, FNLLC, FNLLRC, FNLLW, FNLRC, FNLLRC, FVLC		Diesel		12816	338	460	01.94-	*	*
26.464 FNLC, FNLLC, FNLLRC, FNLLW, FNLRC, FNLLRC, FVLC		Diesel		12816	338	460	05.01-	*	*
27.463DFAC (D 2876 LF 02)		Diesel		12816	338	460	01.94-	*	
27.464 DFAC (D 2876 LF 03)		Diesel		12816	338	460	05.01-	*	*
32.463VFC (D 2876 LF 02)		Diesel		12816	338	460	08.95-	*	
32.464 VF, VFC (D 2876 LF 03)		Diesel		12816	338	460	05.01-	*	*
33.463 DFAC (D 2876 LF 02)		Diesel		12816	338	460	01.94-	*	
33.464 DFAC		Diesel		12816	338	460	05.01-	*	*
35.463 VF, VFC, VFRC (D 2876 LF 02)		Diesel		12816	338	460	08.95-	*	
35.464 VF, VFC, VFRC (D 2876 LF 03)		Diesel		12816	338	460	05.01-	*	*
41.463 VF, VFC, VFRC (D 2876 LF 02)		Diesel		12816	338	460	08.95-	*	
41.464 VF, VFC, VFRC (D 2876 LF 06)		Diesel		12816	338	460	06.98-	*	*
F2000 01.94-							Camión volquete		
19.273FAK (D 2865 LF22)		Diesel		9973	198	269	01.94-	*	
19.273FK (D 2865 LF22)		Diesel		9973	198	269	01.94-	*	
26.273 DFK,26.273 DFLK (D 2865 LF22)		Diesel		9973	198	269	01.94-12.95	*	
27.273DFAK (D 2865 LF22)		Diesel		9973	198	269	01.94-12.95	*	
27.273DFK (D 2865 LF22)		Diesel		9973	198	269	01.94-12.95	*	
19.293 FAK (D 2865 LF20)		Diesel		9973	213	290	01.94-	*	
19.293 FAK (D 2865 LF24)		Diesel		9973	213	290	01.94-	*	
19.293 FK,19.293 FLK (D 2865 LF20)		Diesel		9973	213	290	01.94-	*	
19.293 FK,19.293 FLK (D 2865 LF24)		Diesel		9973	213	290	01.94-	*	
26.293 DFK,26.293 DFLK (D 2865 LF20)		Diesel		9973	213	290	01.94-	*	
26.293 DFK,26.293 DFLK (D 2865 LF24)		Diesel		9973	213	290	01.94-	*	

LISTA DE APLICACIONES - BUYERS GUIDE

27.293DFAK (D 2865 LF20)		Diesel		9973	213	290	01.94-	*
27.293DFAK (D 2865 LF24)		Diesel		9973	213	290	01.94-	*
27.293 DFK (D 2865 LF20)		Diesel		9973	213	290	01.94-	*
27.293 DFK (D 2865 LF24)		Diesel		9973	213	290	01.94-	*
19.323FAK (D 2865 LF23)		Diesel		9973	235	320	01.94-12.95	*
19.323 FK,19.323 FLK (D 2865 LF23)		Diesel		9973	235	320	01.94-12.95	*
26.323 DFK,26.323 DFLK (D 2865 LF23)		Diesel		9973	235	320	01.94-12.95	*
27.323 DFAK, DFA-KI (D 2865 LF23)		Diesel		9973	235	320	01.94-	*
27.323 DFK, DF-KI (D 2865 LF23)		Diesel		9973	235	320	01.94-	*
33.323 DFAK (D 2865 LF23)		Diesel		9973	235	320	01.94-12.95	*
19.343FAK (D 2865 LF21)		Diesel		9973	250	340	01.94-	*
19.343 FK,19.343 FLK (D 2865 LF21)		Diesel		9973	250	340	01.94-	*
26.343 DFK,26.343 DFLK (D 2865 LF21)		Diesel		9973	250	340	01.94-	*
27.343DFAK (D 2865 LF21)		Diesel		9973	250	340	01.94-	*
27.343DFK (D 2865 LF21)		Diesel		9973	250	340	01.94-	*
32.343VFK (D 2865 LF21)		Diesel		9973	250	340	08.95-	*
33.343 DFAK (D 2865 LF21)		Diesel		9973	250	340	01.94-	*
35.343VFK (D 2865 LF21)		Diesel		9973	250	340	08.95-	*
41.343VFK (D 2865 LF21)		Diesel		9973	250	340	08.95-	*
19.314 FAK, FA-KI, FAK-L		Diesel		11967	228	310	05.01-	* *
19.314 FK, FK-L, F-KI, FL-KI, F-NL, FLK (D 2866 LF34)		Diesel		11967	228	310	06.94-02.05	* *
26.314 DFK, DFLK, DFLK-L (D 2866 LF23)		Diesel		11967	228	310	05.01-	* *
27.314 DFAK, DFA-KI, DFAK-L		Diesel		11967	228	310	05.01-	* *
27.314 DFK, DFLK, DFLK-L, DF-KI		Diesel		11967	228	310	05.01-	* *
32.314 VFK, VF-HK (D 2866 LF23)		Diesel		11967	228	310	05.01-	* *
19.364 FAK, FA-KI, FAK-L (D 2866 LF35)		Diesel		11967	265	360	06.98-	* *
19.364 FK, FK-L, F-KI, FL-KI, F-NL, FLK (D 2866 LF35)		Diesel		11967	265	360	06.98-	* *
26.364 DFK, DFLK, DFLK-L (D 2866 LF24)		Diesel		11967	265	360	05.01-	* *
27.364 DFAK, DFA-KI, DFAK-L		Diesel		11967	265	360	05.01-	* *
27.364 DFK, DFK-KI, DFK-L, DF-KI		Diesel		11967	265	360	05.01-	* *
32.364 VFK, VF-HK (D 2866 LF24)		Diesel		11967	265	360	05.01-	* *
33.364 DFAK, DFAK-HK, DFA-KI		Diesel		11967	265	360	05.01-	* *
35.364 VFK, VF-HK, VF-KI (D 2866 LF24)		Diesel		11967	265	360	03.02-	* *
41.364 VFK, VF-HK, VF-KI		Diesel		11967	265	360	03.02-	* *
19.373 FAK, FA-KI, FAK-L (D 2866 LF21)		Diesel		11967	272	370	01.94-	*
19.373 FK, FK-L, F-KI, FL-KI, F-NL, FLK (D 2866 LF21)		Diesel		11967	272	370	01.94-	*
26.373 DFK,26.373 DFLK (D 2866 LF21)		Diesel		11967	272	370	01.94-12.95	*
27.373 DFAK, DFA-KI, DFAK-L (D 2866 LF21)		Diesel		11967	272	370	01.94-	*
27.373 DFK, DFK-KI, DFK-L, DF-KI (D 2866 LF21)		Diesel		11967	272	370	01.94-	*
33.373 DFAK, DFAK-HK, DFA-KI (D 2866 LF21)		Diesel		11967	272	370	01.94-	*
35.373 VFK, VF-HK, VF-KI		Diesel		11967	272	370	03.02-	* *
40.373 DFAK		Diesel		11967	272	370	05.01-	* *
40.373 DFK		Diesel		11967	272	370	05.01-	* *
41.373 VFK, VF-HK, VF-KI		Diesel		11967	272	370	03.02-	* *
19.403 FAK, FA-KI (D 2866 LF20)		Diesel		11967	294	400	01.94-	*
19.403 FK, F-KI, FK-L,FLK, FL-KI, F-NL (D 2866 LF20)		Diesel		11967	294	400	01.94-	*
26.403 DFK,26.403 DFLK (D 2866 LF20)		Diesel		11967	294	400	01.94-	*
27.403 DFAK, DFA-KI, DFAK-L (D 2866 LF20)		Diesel		11967	294	400	01.94-	*
27.403 DFK, DFK-KI, DFK-L, DF-KI (D 2866 LF20)		Diesel		11967	294	400	01.94-	*
33.403 DFAK, DFAK-HK, DFA-KI (D 2866 LF20)		Diesel		11967	294	400	01.94-	*

LISTA DE APLICACIONES - BUYERS GUIDE

35.403 VFK, VF-HK, VF-KI (D 2866 LF20)		Diesel		11967	294	400	03.02-	*	
40.403 DFAK (D 2866 LF20)		Diesel		11967	294	400	01.94-	*	*
40.403 DFK (D 2866 LF20)		Diesel		11967	294	400	01.94-	*	*
41.403 VFK, VF-HK, VF-KI (D 2866 LF20)		Diesel		11967	294	400	08.95-	*	
19.414 FAK, FA-KI, FAK-L (D 2866 LF31)		Diesel		11967	301	409	06.98-	*	*
19.414 FK, F-KI, FK-L, FLK, FL-KI, F-NL (D 2866 LF31)		Diesel		11967	301	409	06.98-	*	*
26.414 DFK, DFLK, DFLK-L (D 2866 LF25)		Diesel		11967	301	409	05.01-	*	*
27.414 DFAK, DFA-KI, DFAK-L		Diesel		11967	301	409	05.01-	*	*
27.414 DFK, DFK-KI, DFK-L, DF-KI		Diesel		11967	301	409	05.01-	*	*
32.414 VFK, VF-HK (D 2866 LF25)		Diesel		11967	301	409	05.01-	*	*
33.414 DFAK, DFAK-HK, DFA-KI		Diesel		11967	301	409	05.01-	*	*
35.414 VFK, VF-HK, VF-KI (D 2866 LF25)		Diesel		11967	301	409	03.02-	*	*
40.414 DFAK		Diesel		11967	301	409	05.01-	*	*
40.414 DFK		Diesel		11967	301	409	05.01-	*	*
41.414 VFK, VF-HK, VF-KI		Diesel		11967	301	409	03.02-	*	*
19.423 FAK, FA-KI (D 2866 LF22)		Diesel		11967	309	420	01.94-	*	
19.423 FK, F-KI, FK-L, FLK, FL-KI, F-NL (D 2866 LF22)		Diesel		11967	309	420	01.94-	*	
26.423 DFK, 26.423 DFLK (D 2866 LF22)		Diesel		11967	309	420	01.94-12.95	*	
27.423 DFAK, DFA-KI, DFAK-L (D 2866 LF22)		Diesel		11967	309	420	01.94-	*	
27.423 DFK, DFK-KI, DFK-L, DF-KI (D 2866 LF22)		Diesel		11967	309	420	01.94-	*	
33.423 DFAK, DFAK-HK, DFA-KI (D 2866 LF22)		Diesel		11967	309	420	01.94-	*	
35.423 VFK, VF-HK, VF-KI		Diesel		11967	309	420	03.02-	*	*
40.423 DFAK		Diesel		11967	309	420	05.01-	*	*
40.423 DFK		Diesel		11967	309	420	05.01-	*	*
41.423 VFK, VF-HK, VF-KI		Diesel		11967	309	420	03.02-	*	*
19.463 FAK, FA-KI, FAK-L (D 2876 LF 02)		Diesel		12816	338	460	01.94-	*	
19.463 FK, F-KI, FK-L, FLK, FL-KI, F-NL (D 2876 LF 02)		Diesel		12816	338	460	01.94-	*	
19.464 FAK, FA-KI, FAK-L (D 2876 LF 06)		Diesel		12816	338	460	06.98-	*	*
19.464 FK, F-KI, FK-L, FLK, FL-KI, F-NL (D 2876 LF 06)		Diesel		12816	338	460	06.98-	*	*
26.463 DFK, DFLK, DFLK-L (D 2876 LF 02)		Diesel		12816	338	460	01.94-	*	
26.464 DFK, DFLK, DFLK-L (D 2876 LF 03)		Diesel		12816	338	460	05.01-	*	*
27.463 DFAK, DFA-KI, DFAK-L (D 2876 LF 02)		Diesel		12816	338	460	01.94-	*	
27.463 DFK, DFK-KI, DFK-L, DF-KI (D 2876 LF 02)		Diesel		12816	338	460	01.94-	*	
27.464 DFAK, DFA-KI, DFAK-L		Diesel		12816	338	460	05.01-	*	*
27.464 DFK, DFK-KI, DFK-L, DF-KI		Diesel		12816	338	460	05.01-	*	*
32.463 VFK (D 2876 LF 02)		Diesel		12816	338	460	08.95-	*	
32.464 VFK, VF-HK (D 2876 LF 03)		Diesel		12816	338	460	05.01-	*	*
33.463 DFAK, DFAK-HK, DFA-KI (D 2876 LF 02)		Diesel		12816	338	460	01.94-	*	
33.464 DFAK, DFAK-HK, DFA-KI		Diesel		12816	338	460	05.01-	*	*
35.463 VFK, VF-HK, VF-KI (D 2876 LF 02)		Diesel		12816	338	460	08.95-	*	
35.464 VFK, VF-HK, VF-KI (D 2876 LF 03)		Diesel		12816	338	460	03.02-	*	*
40.463 DFAK (D 2876 LF 02)		Diesel		12816	338	460	01.94-	*	*
40.463 DFK (D 2876 LF 02)		Diesel		12816	338	460	01.94-	*	*
41.463 VFK, VF-HK, VF-KI (D 2876 LF 02)		Diesel		12816	338	460	08.95-	*	
41.464 VFK, VF-HK, VF-KI		Diesel		12816	338	460	03.02-	*	*
F2000 01.94-								Camión volquete	
19.233 FK, FK-L, CNG (E 2866 DF 01)		Gasolina		11967	170	231	03.00-	*	*
F2000 01.94-								Hormigonera	
26.314 DF-TM (D 2866 LF23)		Diesel		11967	228	310	05.01-	*	*

LISTA DE APLICACIONES - BUYERS GUIDE

27.314 DF-TM		Diesel		11967	228	310	05.01-	*	*
32.314 VF-TM (D 2866 LF23)		Diesel		11967	228	310	05.01-	*	*
35.314 VF-TM		Diesel		11967	228	310	03.02-	*	*
26.364 DF-TM (D 2866 LF24)		Diesel		11967	265	360	05.01-	*	*
27.364 DF-TM		Diesel		11967	265	360	05.01-	*	*
32.364 VF-TM (D 2866 LF24)		Diesel		11967	265	360	05.01-	*	*
35.364 VF-TM (D 2866 LF24)		Diesel		11967	265	360	03.02-	*	*
27.373 DF-TM		Diesel		11967	272	370	07.00-	*	*
27.403 DF-TM		Diesel		11967	294	400	07.00-	*	*
26.414 DF-TM (D 2866 LF25)		Diesel		11967	301	409	05.01-	*	*
27.414 DF-TM		Diesel		11967	301	409	05.01-	*	*
32.414 VF-TM (D 2866 LF25)		Diesel		11967	301	409	05.01-	*	*
35.414 VF-TM (D 2866 LF25)		Diesel		11967	301	409	03.02-	*	*
27.423 DF-TM		Diesel		11967	309	420	07.00-	*	*
26.464 DF-TM (D 2876 LF 03)		Diesel		12816	338	460	05.01-	*	*
27.463 DF-TM		Diesel		12816	338	460	07.00-	*	*
27.464 DF-TM		Diesel		12816	338	460	05.01-	*	*
32.464 VF-TM (D 2876 LF 03)		Diesel		12816	338	460	05.01-	*	*
35.464 VF-TM (D 2876 LF 03)		Diesel		12816	338	460	03.02-	*	*
F2000 01.94-								Veh. Municipal	
26.464 FVL-KO (D 2876 LF 03)		Diesel		12816	338	460	05.01-	*	
F90 06.86-12.97								Cabeza tractora	
19.262FAS (D 2865 LF/260)		Diesel		9973	191	260	02.89-02.90	*	
19.262 FS,19.262 FLS,19.262 FLLS (D 2865 LF/260)		Diesel		9973	191	260	01.88-02.90	*	
24.262 DFS,24.262 DFLS (D 2865 LF/260)		Diesel		9973	191	260	01.88-02.90	*	
26.262DFAS (D 2865 LF/260)		Diesel		9973	191	260	02.89-02.90	*	
26.262DFS (D 2865 LF/260)		Diesel		9973	191	260	01.88-02.90	*	
19.272FAS (D 2865 LF02)		Diesel		9973	198	269	02.90-05.95	*	
19.272FAS (D 2865 LF05)		Diesel		9973	198	269	02.90-05.95	*	
19.272 FS,19.272 FLS,19.272 FLLS (D 2865 LF02)		Diesel		9973	198	269	02.90-05.95	*	
19.272 FS,19.272 FLS,19.272 FLLS (D 2865 LF05)		Diesel		9973	198	269	02.90-05.95	*	
24.272 DFS,24.272 DFLS (D 2865 LF02)		Diesel		9973	198	269	02.90-04.95	*	
24.272 FNLS,24.272 FVLS (D 2865 LF02)		Diesel		9973	198	269	02.90-05.95	*	
24.272 FNLS,24.272 FVLS (D 2865 LF05)		Diesel		9973	198	269	02.90-05.95	*	
24.272 FNLS,24.272 FVLS		Diesel		9973	198	269	02.90-05.95	*	*
25.272 DFS,25.272 DFLS (D 2865 LF02)		Diesel		9973	198	269	09.90-12.92	*	
25.272 DFS,25.272 DFLS (D 2865 LF05)		Diesel		9973	198	269	09.90-12.92	*	
26.272DFAS (D 2865 LF02)		Diesel		9973	198	269	02.90-12.92	*	
26.272DFAS (D 2865 LF05)		Diesel		9973	198	269	02.90-12.92	*	
26.272 DFS,26.272 DFLS (D 2865 LF02)		Diesel		9973	198	269	02.90-06.96	*	
26.272 DFS,26.272 DFLS (D 2865 LF05)		Diesel		9973	198	269	02.90-06.96	*	
26.272 FNLS,26.272 FVLS (D 2865 LF02)		Diesel		9973	198	269	09.90-12.95	*	
26.272 FNLS,26.272 FVLS (D 2865 LF05)		Diesel		9973	198	269	09.90-12.95	*	
26.272 FNLS,26.272 FVLS		Diesel		9973	198	269	09.90-12.95	*	*
19.322FAS (D 2865 LF03)		Diesel		9973	235	320	02.90-06.96	*	
19.322FAS (D 2865 LF06)		Diesel		9973	235	320	02.90-06.96	*	
19.322 FS,19.322 FLS,19.322 FLLS (D 2865 LF03)		Diesel		9973	235	320	02.90-05.95	*	
19.322 FS,19.322 FLS,19.322 FLLS (D 2865 LF06)		Diesel		9973	235	320	02.90-05.95	*	
24.322 DFS,24.322 DFLS (D 2865 LF03)		Diesel		9973	235	320	02.90-12.90	*	
24.322 FNLS,24.322 FVLS (D 2865 LF03)		Diesel		9973	235	320	02.90-05.95	*	

LISTA DE APLICACIONES - BUYERS GUIDE

24.322 FNLS,24.322 FVLS (D 2865 LF06)	Diesel	9973	235	320	02.90-05.95	*	
24.322 FNLS,24.322 FVLS	Diesel	9973	235	320	02.90-05.95	*	*
25.322 DFS, 25.322 DFLS (D 2865 LF03)	Diesel	9973	235	320	09.90-12.92	*	
25.322 DFS, 25.322 DFLS (D 2865 LF06)	Diesel	9973	235	320	09.90-12.92	*	
25.322 FNLS,25.322 FVLS (D 2865 LF03)	Diesel	9973	235	320	09.90-12.92	*	
25.322 FNLS,25.322 FVLS (D 2865 LF06)	Diesel	9973	235	320	09.90-12.92	*	
25.322 FNLS,25.322 FVLS	Diesel	9973	235	320	09.90-12.92	*	*
26.322DFAS (D 2865 LF03)	Diesel	9973	235	320	02.90-12.92	*	
26.322DFAS (D 2865 LF06)	Diesel	9973	235	320	02.90-12.92	*	
26.322 DFS,26.322 DFLS (D 2865 LF03)	Diesel	9973	235	320	02.90-06.96	*	
26.322 DFS,26.322 DFLS (D 2865 LF06)	Diesel	9973	235	320	02.90-06.96	*	
26.322 FNLS,26.322 FVLS (D 2865 LF03)	Diesel	9973	235	320	09.90-12.95	*	
26.322 FNLS,26.322 FVLS (D 2865 LF06)	Diesel	9973	235	320	09.90-12.95	*	
26.322 FNLS,26.322 FVLS	Diesel	9973	235	320	09.90-12.95	*	*
19.342FAS (D 2865 LF09)	Diesel	9973	250	340	05.94-06.96	*	
19.342 FS,19.342 FLS,19.342 FLLS (D 2865 LF09)	Diesel	9973	250	340	05.94-05.95	*	
26.342DFS (D 2865 LF09)	Diesel	9973	250	340	04.94-06.96	*	
19.242 FS,19.242 FLS,19.242 FLLS (D 2866 F/240)	Diesel	11967	177	241	01.88-01.89	*	
24.242DFS (D 2866 F/240)	Diesel	11967	177	241	01.88-07.89	*	
26.242DFS (D 2866 F/240)	Diesel	11967	177	241	02.90-06.97	*	
19.292FAS (D 2866 LF/290)	Diesel	11967	213	290	05.88-02.90	*	
19.292 FS,19.292 FLS,19.292 FLLS (D 2866 LF/290)	Diesel	11967	213	290	07.86-02.90	*	
24.292 DFS,24.292 DFLS (D 2866 LF/290)	Diesel	11967	213	290	04.87-02.90	*	
24.292 FNLS,24.292 FVLS (D 2866 LF/290)	Diesel	11967	213	290	10.86-02.90	*	
26.292DFAS (D 2866 LF/290)	Diesel	11967	213	290	05.88-02.90	*	
26.292DFS (D 2866 LF/290)	Diesel	11967	213	290	09.87-02.90	*	
33.292DFAS (D 2866 LF/290)	Diesel	11967	213	290	05.88-02.90	*	
33.292DFS (D 2866 LF/290)	Diesel	11967	213	290	09.87-02.90	*	
24.302 DFS,24.302 DFLS (D 2866 LF04)	Diesel	11967	221	299	05.90-04.95	*	
25.302 DFS, 25.302 DFLS (D 2866 LF04)	Diesel	11967	221	299	09.90-12.91	*	
25.302 FNLS, 25.302 FVLS (D 2866 LF04)	Diesel	11967	221	299	09.90-12.91	*	
25.302 FNLS, 25.302 FVLS	Diesel	11967	221	299	09.90-12.91	*	*
26.302DFAS (D 2866 LF04)	Diesel	11967	221	299	05.90-12.91	*	
26.302DFS (D 2866 LF04)	Diesel	11967	221	299	05.90-12.91	*	
26.302 FNLS,26.302 FVLS (D 2866 LF04)	Diesel	11967	221	299	09.90-12.91	*	
26.302 FNLS,26.302 FVLS	Diesel	11967	221	299	09.90-12.91	*	*
19.332FAS (D 2866 LF/330)	Diesel	11967	243	330	05.88-02.90	*	
19.332 FS,19.332 FLS,19.332 FLLS (D 2866 LF/330)	Diesel	11967	243	330	07.86-02.90	*	
24.332 DFS,24.332 DFLS (D 2866 LF/330)	Diesel	11967	243	330	04.87-02.90	*	
24.332 FNLS,24.332 FVLS (D 2866 LF/330)	Diesel	11967	243	330	10.86-02.90	*	
26.332DFAS (D 2866 LF/330)	Diesel	11967	243	330	05.88-02.90	*	
26.332DFS (D 2866 LF/330)	Diesel	11967	243	330	09.87-02.90	*	
33.332DFAS (D 2866 LF/330)	Diesel	11967	243	330	05.88-02.90	*	
33.332DFS (D 2866 LF/330)	Diesel	11967	243	330	09.87-02.90	*	
19.372 FS,19.372 FLS,19.372 FLLS (D 2866 LXF)	Diesel	11967	249	339	05.90-04.95	*	
24.372DFS (D 2866 LXF)	Diesel	11967	249	339	05.90-12.90	*	
24.372FVLS (D 2866 LXF)	Diesel	11967	249	339	05.90-12.90	*	
25.372DFS (D 2866 LXF)	Diesel	11967	249	339	09.90-12.92	*	
25.372FVLS (D 2866 LXF)	Diesel	11967	249	339	09.90-10.93	*	
19.362FAS (D 2866 LXF)	Diesel	11967	265	360	05.88-02.90	*	
19.362 FS,19.362 FLS,19.362 FLLS (D 2866 KF)	Diesel	11967	265	360	07.86-02.90	*	

LISTA DE APLICACIONES - BUYERS GUIDE

19.362 FS,19.362 FLS,19.362 FLLS (D 2866 LXF)	Diesel	11967	265	360	07.86-02.90	*
24.362 DFS,24.362 DFLS (D 2866 KF)	Diesel	11967	265	360	04.87-02.90	*
24.362 DFS,24.362 DFLS (D 2866 LXF)	Diesel	11967	265	360	04.87-02.90	*
24.362 FNLS,24.362 FVLS (D 2866 KF)	Diesel	11967	265	360	10.86-02.90	*
24.362 FNLS,24.362 FVLS (D 2866 LXF)	Diesel	11967	265	360	10.86-02.90	*
26.362DFAS (D 2866 LXF)	Diesel	11967	265	360	05.88-02.90	*
26.362DFS (D 2866 KF)	Diesel	11967	265	360	09.87-02.90	*
26.362DFS (D 2866 LXF)	Diesel	11967	265	360	09.87-02.90	*
33.362DFAS (D 2866 LXF)	Diesel	11967	265	360	05.88-02.90	*
33.362DFS (D 2866 KF)	Diesel	11967	265	360	09.87-02.90	*
33.362DFS (D 2866 LXF)	Diesel	11967	265	360	09.87-02.90	*
19.372 FS,19.372 FLS,19.372 FLLS (D 2866 LF03)	Diesel	11967	272	370	02.90-05.95	*
19.372 FS,19.372 FLS,19.372 FLLS (D 2866 LF05)	Diesel	11967	272	370	02.90-05.95	*
19.372 FS,19.372 FLS,19.372 FLLS (D 2866 LF15)	Diesel	11967	272	370	02.90-05.95	*
24.372 FNLS,24.372 FVLS (D 2866 LF03)	Diesel	11967	272	370	02.90-05.95	*
24.372 FNLS,24.372 FVLS (D 2866 LF15)	Diesel	11967	272	370	02.90-05.95	*
24.372 FNLS,24.372 FVLS	Diesel	11967	272	370	02.90-05.95	* *
25.372 DFS,25.372 DFLS (D 2866 LF03)	Diesel	11967	272	370	09.90-12.92	*
25.372 DFS,25.372 DFLS (D 2866 LF05)	Diesel	11967	272	370	09.90-12.92	*
25.372 FNLS,25.372 FVLS (D 2866 LF03)	Diesel	11967	272	370	09.90-10.93	*
25.372 FNLS,25.372 FVLS (D 2866 LF05)	Diesel	11967	272	370	09.90-10.93	*
25.372 FNLS,25.372 FVLS	Diesel	11967	272	370	09.90-10.93	* *
26.372DFAS (D 2866 LF03)	Diesel	11967	272	370	02.90-12.92	*
26.372DFAS (D 2866 LF05)	Diesel	11967	272	370	02.90-12.92	*
26.372DFS (D 2866 LF03)	Diesel	11967	272	370	02.90-06.96	*
26.372DFS (D 2866 LF05)	Diesel	11967	272	370	02.90-06.96	*
26.372DFS (D 2866 LF15)	Diesel	11967	272	370	02.90-06.96	*
26.372 FNLS,26.372 FVLS (D 2866 LF03)	Diesel	11967	272	370	01.92-06.96	*
26.372 FNLS,26.372 FVLS (D 2866 LF05)	Diesel	11967	272	370	01.92-06.96	*
26.372 FNLS,26.372 FVLS (D 2866 LF15)	Diesel	11967	272	370	01.92-06.96	*
26.372 FNLS,26.372 FVLS	Diesel	11967	272	370	01.92-06.96	* *
33.372DFS (D 2866 LF03)	Diesel	11967	272	370	09.91-06.96	*
33.372DFS (D 2866 LF05)	Diesel	11967	272	370	09.91-06.96	*
33.372DFS (D 2866 LF15)	Diesel	11967	272	370	09.91-06.96	*
19.402FAS (D 2866 LF16)	Diesel	11967	294	400	05.94-06.96	*
19.402 FS,19.402 FLS,19.402 FLLS (D 2866 LF16)	Diesel	11967	294	400	05.94-05.95	*
26.402DFS (D 2866 LF16)	Diesel	11967	294	400	05.94-12.95	*
26.402 FNLS,26.402 FVLS (D 2866 LF16)	Diesel	11967	294	400	05.94-06.96	*
26.402 FNLS,26.402 FVLS	Diesel	11967	294	400	05.94-06.96	* *
33.402DFS (D 2866 LF16)	Diesel	11967	294	400	05.94-06.96	*
19.422FAS (D 2866 LF06)	Diesel	11967	309	420	02.90-06.96	*
19.422FAS (D 2866 LF09)	Diesel	11967	309	420	02.90-06.96	*
19.422 FS,19.422 FLS,19.422 FLLS (D 2866 LF06)	Diesel	11967	309	420	02.90-05.95	*
19.422 FS,19.422 FLS,19.422 FLLS (D 2866 LF09)	Diesel	11967	309	420	02.90-05.95	*
19.422 FS,19.422 FLS,19.422 FLLS (D 2866 LF10)	Diesel	11967	309	420	02.90-05.95	*
24.422 DFS,24.422 DFLS (D 2866 LF06)	Diesel	11967	309	420	02.90-12.90	*
25.422 DFS,25.422 DFLS (D 2866 LF06)	Diesel	11967	309	420	09.90-12.92	*
25.422 DFS,25.422 DFLS (D 2866 LF09)	Diesel	11967	309	420	09.90-12.92	*
25.422 FNLS,25.422 FVLS (D 2866 LF06)	Diesel	11967	309	420	09.90-12.92	*
25.422 FNLS,25.422 FVLS (D 2866 LF09)	Diesel	11967	309	420	09.90-12.92	*
25.422 FNLS,25.422 FVLS	Diesel	11967	309	420	09.90-12.92	* *

LISTA DE APLICACIONES - BUYERS GUIDE

26.422DFAS (D 2866 LF06)		Diesel		11967	309	420	02.90-12.92	*	
26.422DFAS (D 2866 LF09)		Diesel		11967	309	420	02.90-12.92	*	
26.422DFS (D 2866 LF06)		Diesel		11967	309	420	02.90-12.95	*	
26.422DFS (D 2866 LF09)		Diesel		11967	309	420	02.90-12.95	*	
26.422 FNLS,26.422 FVLS (D 2866 LF06)		Diesel		11967	309	420	01.92-12.95	*	
26.422 FNLS,26.422 FVLS (D 2866 LF09)		Diesel		11967	309	420	01.92-12.95	*	
26.422 FNLS,26.422 FVLS		Diesel		11967	309	420	01.92-12.95	*	*
33.422DFS (D 2866 LF06)		Diesel		11967	309	420	01.94-06.96	*	
33.422DFS (D 2866 LF09)		Diesel		11967	309	420	01.94-06.96	*	
19.462 FS,19.462 FLS (D 2840 LF 460)		Diesel		18273	338	460	05.87-02.90	*	
24.462 DFS (D 2840 LF 460)		Diesel		18273	338	460	02.89-02.90	*	
26.462DFAS (D 2840 LF 460)		Diesel		18273	338	460	08.89-02.90	*	
26.462DFS (D 2840 LF 460)		Diesel		18273	338	460	02.89-02.90	*	
26.502 DFAS (D 2840 LF01)		Diesel		18273	368	500	02.90-12.92	*	
26.502 DFAS (D 2840 LF04)		Diesel		18273	368	500	02.90-12.92	*	
F90 06.86-12.97								Caja/Chasis	
15.192 FL (D 2146 HM 1 U)		Diesel		9660	141	192	01.89-12.97	*	*
19.262 F,19.262 FL,19.262 FLL (D 2865 LF/260)		Diesel		9973	191	260	01.88-02.90	*	
19.262FA (D 2865 LF/260)		Diesel		9973	191	260	02.89-02.90	*	
24.262DF (D 2865 LF/260)		Diesel		9973	191	260	01.88-02.90	*	
24.262 FNL,24.262 FNLL,24.262 FVL (D 2865 LF/260)		Diesel		9973	191	260	01.88-02.90	*	
26.262DF (D 2865 LF/260)		Diesel		9973	191	260	01.88-02.90	*	
26.262DFA (D 2865 LF/260)		Diesel		9973	191	260	02.89-02.90	*	
32.262VF (D 2865 LF/260)		Diesel		9973	191	260	02.89-02.90	*	
33.262 DF (D 2865 LF/260)		Diesel		9973	191	260	08.88-02.90	*	
33.262 DFA (D 2865 LF/260)		Diesel		9973	191	260	07.89-02.90	*	
35.262VF (D 2865 LF/260)		Diesel		9973	191	260	02.89-02.90	*	
35.262VFA (D 2865 LF/260)		Diesel		9973	191	260	07.89-02.90	*	
41.262VF (D 2865 LF/260)		Diesel		9973	191	260	07.89-02.90	*	
19.272 F,19.272 FL,19.272 FLL (D 2865 LF02)		Diesel		9973	198	269	02.90-05.95	*	
19.272 F,19.272 FL,19.272 FLL (D 2865 LF05)		Diesel		9973	198	269	02.90-05.95	*	
19.272FA (D 2865 LF02)		Diesel		9973	198	269	02.90-05.95	*	
19.272FA (D 2865 LF05)		Diesel		9973	198	269	02.90-05.95	*	
24.272DF (D 2865 LF02)		Diesel		9973	198	269	02.90-12.90	*	
24.272 FNL,24.272 FNLL,24.272 FVL (D 2865 LF02)		Diesel		9973	198	269	02.90-05.95	*	
24.272 FNL,24.272 FNLL,24.272 FVL (D 2865 LF05)		Diesel		9973	198	269	02.90-05.95	*	
24.272 FNL,24.272 FNLL,24.272 FVL		Diesel		9973	198	269	02.90-05.95	*	*
25.272DF (D 2865 LF02)		Diesel		9973	198	269	09.90-12.92	*	
25.272DF (D 2865 LF05)		Diesel		9973	198	269	09.90-12.92	*	
25.272 FNL,25.272 FNLL,25.272 FVL (D 2865 LF02)		Diesel		9973	198	269	09.90-10.93	*	
25.272 FNL,25.272 FNLL,25.272 FVL (D 2865 LF05)		Diesel		9973	198	269	09.90-10.93	*	
25.272 FNL,25.272 FNLL,25.272 FVL		Diesel		9973	198	269	09.90-10.93	*	*
26.272DF (D 2865 LF02)		Diesel		9973	198	269	02.90-06.96	*	
26.272DF (D 2865 LF05)		Diesel		9973	198	269	02.90-06.96	*	
26.272DFA (D 2865 LF02)		Diesel		9973	198	269	02.90-12.92	*	
26.272DFA (D 2865 LF05)		Diesel		9973	198	269	02.90-12.92	*	
26.272 FNL,26.272 FNLL (D 2865 LF05)		Diesel		9973	198	269	03.91-05.95	*	
32.272VF (D 2865 LF02)		Diesel		9973	198	269	02.90-04.95	*	
32.272VF (D 2865 LF05)		Diesel		9973	198	269	02.90-04.95	*	

LISTA DE APLICACIONES - BUYERS GUIDE

33.272 DF (D 2865 LF05)		Diesel		9973	198	269	10.92-04.95	*
33.272DFA (D 2865 LF05)		Diesel		9973	198	269	10.92-04.95	*
35.272VF (D 2865 LF02)		Diesel		9973	198	269	02.90-12.91	*
41.272VF (D 2865 LF02)		Diesel		9973	198	269	02.90-12.91	*
19.322 F,19.322 FL,19.322 FLL (D 2865 LF03)		Diesel		9973	235	320	02.90-05.95	*
19.322 F,19.322 FL,19.322 FLL (D 2865 LF06)		Diesel		9973	235	320	02.90-05.95	*
19.322FA (D 2865 LF03)		Diesel		9973	235	320	02.90-06.96	*
19.322FA (D 2865 LF06)		Diesel		9973	235	320	02.90-06.96	*
24.322DF (D 2865 LF03)		Diesel		9973	235	320	02.90-12.90	*
24.322 FNL,24.322 FNLL,24.322 FVL (D 2865 LF03)		Diesel		9973	235	320	02.90-05.95	*
24.322 FNL,24.322 FNLL,24.322 FVL (D 2865 LF06)		Diesel		9973	235	320	02.90-05.95	*
24.322 FNL,24.322 FNLL,24.322 FVL		Diesel		9973	235	320	02.90-05.95	* *
25.322 DF, 25.322 DFL (D 2865 LF03)		Diesel		9973	235	320	09.90-12.92	*
25.322 DF, 25.322 DFL (D 2865 LF06)		Diesel		9973	235	320	09.90-12.92	*
25.322 FNL, 25.322 FNLL, 25.322 FVL (D 2865 LF03)		Diesel		9973	235	320	09.90-12.92	*
25.322 FNL, 25.322 FNLL, 25.322 FVL (D 2865 LF06)		Diesel		9973	235	320	09.90-12.92	*
26.322DF (D 2865 LF03)		Diesel		9973	235	320	02.90-06.96	*
26.322DF (D 2865 LF06)		Diesel		9973	235	320	02.90-06.96	*
26.322DFA (D 2865 LF03)		Diesel		9973	235	320	02.90-12.92	*
26.322DFA (D 2865 LF06)		Diesel		9973	235	320	02.90-12.92	*
26.322 FNL,26.322 FNLL (D 2865 LF03)		Diesel		9973	235	320	03.91-05.95	*
26.322 FNL,26.322 FNLL (D 2865 LF06)		Diesel		9973	235	320	03.91-05.95	*
32.322VF (D 2865 LF03)		Diesel		9973	235	320	02.90-06.96	*
32.322VF (D 2865 LF06)		Diesel		9973	235	320	02.90-06.96	*
33.322 DF (D 2865 LF03)		Diesel		9973	235	320	09.91-06.96	*
33.322 DF (D 2865 LF06)		Diesel		9973	235	320	09.91-06.96	*
33.322DFA (D 2865 LF03)		Diesel		9973	235	320	09.91-06.96	*
33.322DFA (D 2865 LF06)		Diesel		9973	235	320	09.91-06.96	*
35.322 VK (D 2865 LF03)		Diesel		9973	235	320	02.90-06.96	*
35.322 VK (D 2865 LF06)		Diesel		9973	235	320	02.90-06.96	*
41.322VF (D 2865 LF03)		Diesel		9973	235	320	02.90-06.96	*
41.322VF (D 2865 LF06)		Diesel		9973	235	320	02.90-06.96	*
19.342 F,19.342 FL,19.342 FLL (D 2865 LF09)		Diesel		9973	250	340	05.94-05.95	*
19.342FA (D 2865 LF09)		Diesel		9973	250	340	05.94-06.96	*
24.342 FNL,24.342 FNLL (D 2865 LF09)		Diesel		9973	250	340	05.94-05.95	*
26.342 DF,26.342 DFL (D 2865 LF09)		Diesel		9973	250	340	05.94-06.96	*
33.342 DF (D 2865 LF09)		Diesel		9973	250	340	05.94-06.96	*
33.342DFA (D 2865 LF09)		Diesel		9973	250	340	05.94-06.96	*
35.342VF (D 2865 LF09)		Diesel		9973	250	340	05.94-06.96	*
41.342VF (D 2865 LF09)		Diesel		9973	250	340	05.94-06.96	*
19.242 F,19.242 FL,19.242 FLL (D 2866 F/240)		Diesel		11967	177	241	01.88-01.89	*
24.242DF (D 2866 F/240)		Diesel		11967	177	241	01.88-07.89	*
24.242 FNL,24.242 FNLL,24.242 FVL (D 2866 F/240)		Diesel		11967	177	241	01.88-02.90	*
26.242DF (D 2866 F/240)		Diesel		11967	177	241	02.90-06.97	*
19.292 F,19.292 FL,19.292 FLL (D 2866 LF/290)		Diesel		11967	213	290	07.86-02.90	*
19.292FA (D 2866 LF/290)		Diesel		11967	213	290	05.88-02.90	*
24.292DF (D 2866 LF/290)		Diesel		11967	213	290	04.87-02.90	*
24.292 FNL,24.292 FNLL,24.292 FVL (D 2866 LF/290)		Diesel		11967	213	290	10.86-02.90	*
26.292 DF, 26.292 DFL (D 2866 LF/290)		Diesel		11967	213	290	09.87-02.90	*

LISTA DE APLICACIONES - BUYERS GUIDE

26.292DFA (D 2866 LF/290)		Diesel		11967	213	290	05.88-02.90	*	
32.292VF (D 2866 LF/290)		Diesel		11967	213	290	03.88-02.90	*	
33.292 DF (D 2866 LF/290)		Diesel		11967	213	290	09.87-02.90	*	
33.292DFA (D 2866 LF/290)		Diesel		11967	213	290	05.88-02.90	*	
35.292VF (D 2866 LFZ/290)		Diesel		11967	213	290	10.88-04.95	*	
41.292VF (D 2866 LF/290)		Diesel		11967	213	290	10.88-02.90	*	
24.302DF (D 2866 LF04)		Diesel		11967	221	299	05.90-12.90	*	
24.302 FNL,24.302 FNLL,24.302 FVL (D 2866 LF04)		Diesel		11967	221	299	05.90-10.90	*	
24.302 FNL,24.302 FNLL,24.302 FVL		Diesel		11967	221	299	05.90-10.90	*	*
25.302DF (D 2866 LF04)		Diesel		11967	221	299	09.90-12.91	*	
25.302 FNL, 25.302 FNLL, 25.302 FVL (D 2866 LF04)		Diesel		11967	221	299	09.90-12.91	*	
26.302DF (D 2866 LF04)		Diesel		11967	221	299	05.90-12.91	*	
26.302DFA (D 2866 LF04)		Diesel		11967	221	299	05.90-12.91	*	
26.302 FNL, 26.302 FNLL, 26.302 FVL (D 2866 LF04)		Diesel		11967	221	299	03.91-12.91	*	
32.302VF (D 2866 LF04)		Diesel		11967	221	299	05.90-09.91	*	
35.302VF (D 2866 LF04)		Diesel		11967	221	299	05.90-09.91	*	
19.332 F,19.332 FL,19.332 FLL (D 2866 LF/330)		Diesel		11967	243	330	07.86-02.90	*	
19.332FA (D 2866 LF/330)		Diesel		11967	243	330	05.88-02.90	*	
24.332DF (D 2866 LF/330)		Diesel		11967	243	330	04.87-02.90	*	
24.332 FNL,24.332 FNLL,24.332 FVL (D 2866 LF/330)		Diesel		11967	243	330	10.86-02.90	*	
26.332 DF, 26.332 DFL (D 2866 LF/330)		Diesel		11967	243	330	09.87-02.90	*	
26.332DFA (D 2866 LF/330)		Diesel		11967	243	330	05.88-02.90	*	
32.332VF (D 2866 LF/330)		Diesel		11967	243	330	03.88-02.90	*	
33.332DFA (D 2866 LF/330)		Diesel		11967	243	330	05.88-02.90	*	
35.332VF (D 2866 LFZ/330)		Diesel		11967	243	330	10.88-04.95	*	
41.332VF (D 2866 LF/330)		Diesel		11967	243	330	10.88-02.90	*	
19.372 F,19.372 FL,19.372 FLL (D 2866 LXF)		Diesel		11967	249	339	05.90-04.95	*	
24.372DF (D 2866 LXF)		Diesel		11967	249	339	05.90-12.90	*	
24.372FVL (D 2866 LXF)		Diesel		11967	249	339	05.90-12.90	*	
25.372DF (D 2866 LXF)		Diesel		11967	249	339	09.90-12.92	*	
32.372VF (D 2866 LXF)		Diesel		11967	249	339	02.90-06.96	*	
35.372VF (D 2866 LXF)		Diesel		11967	249	339	02.90-04.95	*	
19.362 F,19.362 FL,19.362 FLL (D 2866 KF)		Diesel		11967	265	360	07.86-02.90	*	
19.362 F,19.362 FL,19.362 FLL (D 2866 LXF)		Diesel		11967	265	360	07.86-02.90	*	
19.362FA (D 2866 LXF)		Diesel		11967	265	360	05.88-02.90	*	
24.362DF (D 2866 KF)		Diesel		11967	265	360	04.87-02.90	*	
24.362DF (D 2866 LXF)		Diesel		11967	265	360	04.87-02.90	*	
24.362 FNL,24.362 FNLL,24.362 FVL (D 2866 KF)		Diesel		11967	265	360	10.86-02.90	*	
24.362 FNL,24.362 FNLL,24.362 FVL (D 2866 LXF)		Diesel		11967	265	360	10.86-02.90	*	
26.362 DF, 26.362 DFL (D 2866 KF)		Diesel		11967	265	360	09.87-02.90	*	
26.362 DF, 26.362 DFL (D 2866 LXF)		Diesel		11967	265	360	09.87-02.90	*	
26.362DFA (D 2866 LXF)		Diesel		11967	265	360	05.88-02.90	*	
32.362VF (D 2866 LXF)		Diesel		11967	265	360	03.88-02.90	*	
33.362 DF (D 2866 KF)		Diesel		11967	265	360	09.87-02.90	*	
33.362 DF (D 2866 LXF)		Diesel		11967	265	360	09.87-02.90	*	
33.362DFA (D 2866 LXF)		Diesel		11967	265	360	05.88-02.90	*	
35.362VF (D 2866 LXF)		Diesel		11967	265	360	10.88-02.90	*	
41.362VF (D 2866 LXF)		Diesel		11967	265	360	10.88-02.90	*	
48.362VF (D 2866 LXF)		Diesel		11967	265	360	07.89-02.90	*	
48.362VFA (D 2866 LXF)		Diesel		11967	265	360	07.89-02.90	*	

LISTA DE APLICACIONES - BUYERS GUIDE

19.372 F,19.372 FL,19.372 FLL (D 2866 LF03)	Diesel	11967	272	370	02.90-05.95	*
19.372 F,19.372 FL,19.372 FLL (D 2866 LF05)	Diesel	11967	272	370	02.90-05.95	*
19.372 F,19.372 FL,19.372 FLL (D 2866 LF15)	Diesel	11967	272	370	02.90-05.95	*
19.372FA (D 2866 LF03)	Diesel	11967	272	370	02.90-06.96	*
19.372FA (D 2866 LF05)	Diesel	11967	272	370	02.90-06.96	*
19.372FA (D 2866 LF15)	Diesel	11967	272	370	02.90-06.96	*
19.372FAS (D 2866 LF03)	Diesel	11967	272	370	02.90-06.96	*
19.372FAS (D 2866 LF05)	Diesel	11967	272	370	02.90-06.96	*
19.372FAS (D 2866 LF15)	Diesel	11967	272	370	02.90-06.96	*
24.372DF (D 2866 LF03)	Diesel	11967	272	370	02.90-12.90	*
24.372 FNL,24.372 FNLL,24.372 FVL (D 2866 LF03)	Diesel	11967	272	370	02.90-05.95	*
24.372 FNL,24.372 FNLL,24.372 FVL (D 2866 LF15)	Diesel	11967	272	370	02.90-05.95	*
24.372 FNL,24.372 FNLL,24.372 FVL	Diesel	11967	272	370	02.90-05.95	* *
25.372DF (D 2866 LF03)	Diesel	11967	272	370	09.90-12.92	*
25.372DF (D 2866 LF05)	Diesel	11967	272	370	09.90-12.92	*
25.372 FNL, 25.372 FNLL, 25.372 FVL (D 2866 LF03)	Diesel	11967	272	370	09.90-12.92	*
25.372 FNL, 25.372 FNLL, 25.372 FVL (D 2866 LF05)	Diesel	11967	272	370	09.90-12.92	*
26.372 DF,26.372 DFL (D 2866 LF03)	Diesel	11967	272	370	02.90-06.96	*
26.372 DF,26.372 DFL (D 2866 LF05)	Diesel	11967	272	370	02.90-06.96	*
26.372 DF,26.372 DFL (D 2866 LF15)	Diesel	11967	272	370	02.90-06.96	*
26.372DFA (D 2866 LF03)	Diesel	11967	272	370	02.90-12.92	*
26.372DFA (D 2866 LF05)	Diesel	11967	272	370	02.90-12.92	*
26.372 FNL,26.372 FNLL,26.372 FVL (D 2866 LF03)	Diesel	11967	272	370	09.90-12.95	*
26.372 FNL,26.372 FNLL,26.372 FVL (D 2866 LF05)	Diesel	11967	272	370	09.90-12.95	*
26.372 FNL,26.372 FNLL,26.372 FVL (D 2866 LF15)	Diesel	11967	272	370	09.90-12.95	*
26.372 FNL,26.372 FNLL,26.372 FVL	Diesel	11967	272	370	09.90-12.95	* *
32.372VF (D 2866 LF03)	Diesel	11967	272	370	02.90-06.96	*
32.372VF (D 2866 LF05)	Diesel	11967	272	370	02.90-06.96	*
32.372VF (D 2866 LF15)	Diesel	11967	272	370	02.90-06.96	*
33.372 DF (D 2866 LF03)	Diesel	11967	272	370	09.91-06.96	*
33.372 DF (D 2866 LF05)	Diesel	11967	272	370	09.91-06.96	*
33.372 DF (D 2866 LF15)	Diesel	11967	272	370	09.91-06.96	*
33.372DFA (D 2866 LF03)	Diesel	11967	272	370	09.91-06.96	*
33.372DFA (D 2866 LF05)	Diesel	11967	272	370	09.91-06.96	*
33.372DFA (D 2866 LF15)	Diesel	11967	272	370	09.91-06.96	*
35.372VF (D 2866 LF03)	Diesel	11967	272	370	02.90-06.96	*
35.372VF (D 2866 LF05)	Diesel	11967	272	370	02.90-06.96	*
35.372VF (D 2866 LF15)	Diesel	11967	272	370	02.90-06.96	*
35.372VF (D 2866 LF03)	Diesel	11967	272	370	02.90-12.97	*
35.372VF (D 2866 LF05)	Diesel	11967	272	370	02.90-12.97	*
35.372VF (D 2866 LF15)	Diesel	11967	272	370	02.90-12.97	*
40.372DF (D 2866 LF03)	Diesel	11967	272	370	12.91-06.96	*
40.372DF (D 2866 LF05)	Diesel	11967	272	370	12.91-06.96	*
40.372DF (D 2866 LF15)	Diesel	11967	272	370	12.91-06.96	*
40.372DFA (D 2866 LF03)	Diesel	11967	272	370	12.91-06.96	*
40.372DFA (D 2866 LF05)	Diesel	11967	272	370	12.91-06.96	*
40.372DFA (D 2866 LF15)	Diesel	11967	272	370	12.91-06.96	*
41.372VF (D 2866 LF03)	Diesel	11967	272	370	02.90-06.96	*

LISTA DE APLICACIONES - BUYERS GUIDE

41.372VF (D 2866 LF05)		Diesel		11967	272	370	02.90-06.96	*
41.372VF (D 2866 LF15)		Diesel		11967	272	370	02.90-06.96	*
19.402 F,19.402 FL,19.402 FLL (D 2866 LF16)		Diesel		11967	294	400	05.94-05.95	*
19.402 FA (D 2866 LF16)		Diesel		11967	294	400	05.94-06.96	*
24.402 FNL,24.402 FNLL (D 2866 LF16)		Diesel		11967	294	400	05.94-05.95	*
26.402 DF,26.402 DFL (D 2866 LF16)		Diesel		11967	294	400	05.94-06.96	*
26.402 FNL,26.402 FNLL,26.402 FVL (D 2866 LF16)		Diesel		11967	294	400	05.94-06.96	*
26.402 FNL,26.402 FNLL,26.402 FVL		Diesel		11967	294	400	05.94-06.96	* *
33.402 DF (D 2866 LF16)		Diesel		11967	294	400	05.94-06.96	*
33.402DFA (D 2866 LF16)		Diesel		11967	294	400	05.94-06.96	*
35.402VF (D 2866 LF16)		Diesel		11967	294	400	05.94-06.96	*
35.402VF (D 2866 LF16)		Diesel		11967	294	400	05.94-12.97	*
40.402DF (D 2866 LF16)		Diesel		11967	294	400	05.95-06.96	*
40.402DFA (D 2866 LF16)		Diesel		11967	294	400	05.95-06.96	*
41.402 VF (D 2866 LF16)		Diesel		11967	294	400	05.94-06.96	*
19.422 F,19.422 FL,19.422 FLL (D 2866 LF06)		Diesel		11967	309	420	02.90-05.95	*
19.422 F,19.422 FL,19.422 FLL (D 2866 LF09)		Diesel		11967	309	420	02.90-05.95	*
19.422 F,19.422 FL,19.422 FLL (D 2866 LF10)		Diesel		11967	309	420	02.90-05.95	*
19.422FA (D 2866 LF06)		Diesel		11967	309	420	02.90-06.96	*
19.422FA (D 2866 LF09)		Diesel		11967	309	420	02.90-06.96	*
24.422DF (D 2866 LF06)		Diesel		11967	309	420	02.90-12.90	*
24.422 FNL,24.422 FNLL,24.422 FVL (D 2866 LF06)		Diesel		11967	309	420	02.90-05.95	*
24.422 FNL,24.422 FNLL,24.422 FVL (D 2866 LF09)		Diesel		11967	309	420	02.90-05.95	*
24.422 FNL,24.422 FNLL,24.422 FVL		Diesel		11967	309	420	02.90-05.95	* *
25.422DF (D 2866 LF06)		Diesel		11967	309	420	09.90-12.92	*
25.422DF (D 2866 LF09)		Diesel		11967	309	420	09.90-12.92	*
25.422 FNL,25.422 FNLL (D 2866 LF06)		Diesel		11967	309	420	09.90-12.92	*
25.422 FNL,25.422 FNLL (D 2866 LF09)		Diesel		11967	309	420	09.90-12.92	*
26.422 DF,26.422 DFL (D 2866 LF06)		Diesel		11967	309	420	02.90-06.96	*
26.422 DF,26.422 DFL (D 2866 LF09)		Diesel		11967	309	420	02.90-06.96	*
26.422DFA (D 2866 LF06)		Diesel		11967	309	420	02.90-12.92	*
26.422DFA (D 2866 LF09)		Diesel		11967	309	420	02.90-12.92	*
26.422 FNL,26.422 FNLL,26.422 FVL (D 2866 LF06)		Diesel		11967	309	420	09.90-12.95	*
26.422 FNL,26.422 FNLL,26.422 FVL (D 2866 LF09)		Diesel		11967	309	420	09.90-12.95	*
26.422 FNL,26.422 FNLL,26.422 FVL		Diesel		11967	309	420	09.90-12.95	* *
32.422VF (D 2866 LF06)		Diesel		11967	309	420	02.90-06.96	*
32.422VF (D 2866 LF09)		Diesel		11967	309	420	02.90-06.96	*
33.422 DF (D 2866 LF06)		Diesel		11967	309	420	09.91-06.96	*
33.422 DF (D 2866 LF09)		Diesel		11967	309	420	09.91-06.96	*
33.422DFA (D 2866 LF06)		Diesel		11967	309	420	09.91-06.96	*
33.422DFA (D 2866 LF09)		Diesel		11967	309	420	09.91-06.96	*
35.422VF (D 2866 LF06)		Diesel		11967	309	420	02.90-06.96	*
35.422VF (D 2866 LF09)		Diesel		11967	309	420	02.90-06.96	*
35.422VF (D 2866 LF06)		Diesel		11967	309	420	02.90-12.97	*
35.422VF (D 2866 LF09)		Diesel		11967	309	420	02.90-12.97	*
40.422DF (D 2866 LF06)		Diesel		11967	309	420	12.91-06.96	*
40.422DF (D 2866 LF09)		Diesel		11967	309	420	12.91-06.96	*
40.422DFA (D 2866 LF06)		Diesel		11967	309	420	12.91-06.96	*
40.422DFA (D 2866 LF09)		Diesel		11967	309	420	12.91-06.96	*

LISTA DE APLICACIONES - BUYERS GUIDE

41.422VF (D 2866 LF06)		Diesel		11967	309	420	02.90-06.96	*
41.422VF (D 2866 LF09)		Diesel		11967	309	420	02.90-06.96	*
19.462 F,19.462 FL (D 2840 LF 460)		Diesel		18273	338	460	05.87-02.90	*
24.462DF (D 2840 LF 460)		Diesel		18273	338	460	02.89-02.90	*
24.462FNL (D 2840 LF 460)		Diesel		18273	338	460	04.89-02.90	*
26.462DF (D 2840 LF 460)		Diesel		18273	338	460	02.89-02.90	*
26.462DFA (D 2840 LF 460)		Diesel		18273	338	460	08.89-02.90	*
33.462 DF (D 2840 LF 460)		Diesel		18273	338	460	07.89-02.90	*
33.462DFA (D 2840 LF 460)		Diesel		18273	338	460	07.89-02.90	*
40.462DFA (D 2840 LF 460)		Diesel		18273	338	460	07.89-02.90	*
25.502FNL (D 2840 LF01)		Diesel		18273	368	500	09.90-12.92	*
25.502FNL (D 2840 LF04)		Diesel		18273	368	500	09.90-12.92	*
26.502 DFA (D 2840 LF01)		Diesel		18273	368	500	02.90-12.92	*
26.502 DFA (D 2840 LF04)		Diesel		18273	368	500	02.90-12.92	*
33.502DFA (D 2840 LF01)		Diesel		18273	368	500	09.91-06.96	*
33.502DFA (D 2840 LF04)		Diesel		18273	368	500	09.91-06.96	*
33.502DFA (D 2840 LF06)		Diesel		18273	368	500	09.91-06.96	*
40.502DFA (D 2840 LF01)		Diesel		18273	368	500	02.90-06.96	*
40.502DFA (D 2840 LF04)		Diesel		18273	368	500	02.90-06.96	*
40.502DFA (D 2840 LF06)		Diesel		18273	368	500	02.90-06.96	*
F90 06.86-12.97				Camión volquete				
19.262FAK (D 2865 LF/260)		Diesel		9973	191	260	02.89-02.90	*
19.262FK (D 2865 LF/260)		Diesel		9973	191	260	01.88-02.90	*
24.262DFK (D 2865 LF/260)		Diesel		9973	191	260	01.88-02.90	*
26.262DFAK (D 2865 LF/260)		Diesel		9973	191	260	02.89-02.90	*
26.262DFK (D 2865 LF/260)		Diesel		9973	191	260	01.88-02.90	*
32.262VFK (D 2865 LF/260)		Diesel		9973	191	260	02.89-02.90	*
33.262DFAK (D 2865 LF/260)		Diesel		9973	191	260	07.89-02.90	*
33.262DFK (D 2865 LF/260)		Diesel		9973	191	260	08.88-02.90	*
35.262VFK (D 2865 LF/260)		Diesel		9973	191	260	02.89-02.90	*
41.262VFK (D 2865 LF/260)		Diesel		9973	191	260	07.89-02.90	*
19.272FAK (D 2865 LF02)		Diesel		9973	198	269	02.90-05.95	*
19.272FAK (D 2865 LF05)		Diesel		9973	198	269	02.90-05.95	*
19.272FK (D 2865 LF02)		Diesel		9973	198	269	02.90-05.95	*
19.272FK (D 2865 LF05)		Diesel		9973	198	269	02.90-05.95	*
24.272DFK (D 2865 LF02)		Diesel		9973	198	269	02.90-12.90	*
25.272DFK (D 2865 LF02)		Diesel		9973	198	269	09.90-12.92	*
25.272DFK (D 2865 LF05)		Diesel		9973	198	269	09.90-12.92	*
26.272DFAK (D 2865 LF02)		Diesel		9973	198	269	02.90-12.92	*
26.272DFAK (D 2865 LF05)		Diesel		9973	198	269	02.90-12.92	*
26.272DFK (D 2865 LF02)		Diesel		9973	198	269	02.90-06.96	*
26.272DFK (D 2865 LF05)		Diesel		9973	198	269	02.90-06.96	*
32.272VFK (D 2865 LF02)		Diesel		9973	198	269	02.90-04.95	*
32.272VFK (D 2865 LF05)		Diesel		9973	198	269	02.90-04.95	*
35.272VFK (D 2865 LF02)		Diesel		9973	198	269	02.90-12.92	*
19.322FAK (D 2865 LF03)		Diesel		9973	235	320	02.90-06.96	*
19.322FAK (D 2865 LF06)		Diesel		9973	235	320	02.90-06.96	*
19.322FK (D 2865 LF03)		Diesel		9973	235	320	02.90-05.95	*
19.322FK (D 2865 LF06)		Diesel		9973	235	320	02.90-05.95	*
24.322DFK (D 2865 LF03)		Diesel		9973	235	320	02.90-12.90	*
25.322DFK (D 2865 LF03)		Diesel		9973	235	320	09.90-12.92	*

LISTA DE APLICACIONES - BUYERS GUIDE

25.322DFK (D 2865 LF06)		Diesel		9973	235	320	09.90-12.92	*
26.322 DFAK (D 2865 LF03)		Diesel		9973	235	320	02.90-12.92	*
26.322 DFAK (D 2865 LF06)		Diesel		9973	235	320	02.90-12.92	*
26.322DFK (D 2865 LF03)		Diesel		9973	235	320	02.92-06.96	*
26.322DFK (D 2865 LF06)		Diesel		9973	235	320	02.92-06.96	*
32.322VFK (D 2865 LF03)		Diesel		9973	235	320	02.90-06.96	*
32.322VFK (D 2865 LF06)		Diesel		9973	235	320	02.90-06.96	*
35.322VFAK (D 2865 LF03)		Diesel		9973	235	320	02.90-06.96	*
35.322VFAK (D 2865 LF06)		Diesel		9973	235	320	02.90-06.96	*
35.322VFK (D 2865 LF03)		Diesel		9973	235	320	02.90-06.96	*
35.322VFK (D 2865 LF06)		Diesel		9973	235	320	02.90-06.96	*
35.322VFK (D 2865 LF06)		Diesel		9973	235	320	02.90-06.96	*
35.322VFK (D 2865 LF03)		Diesel		9973	235	320	02.90-06.96	*
35.322VFK (D 2865 LF06)		Diesel		9973	235	320	02.90-06.96	*
19.342FAK (D 2865 LF09)		Diesel		9973	250	340	05.94-06.96	*
19.342FK (D 2865 LF09)		Diesel		9973	250	340	05.94-05.95	*
26.342 DFK,26.342 DFLK (D 2865 LF09)		Diesel		9973	250	340	05.94-06.96	*
32.342VFK (D 2865 LF09)		Diesel		9973	250	340	05.94-06.96	*
35.342VFK (D 2865 LF09)		Diesel		9973	250	340	05.94-06.96	*
19.242FK (D 2866 F/240)		Diesel		11967	177	241	01.88-02.89	*
24.242DFK (D 2866 F/240)		Diesel		11967	177	241	01.88-07.89	*
26.242DFAK (D 2866 F/240)		Diesel		11967	177	241	01.90-01.90	*
26.242DFK (D 2866 F/240)		Diesel		11967	177	241	02.90-06.97	*
33.242DFAK (D 2866 F/240)		Diesel		11967	177	241	01.88-08.88	*
33.242DFK (D 2866 F/240)		Diesel		11967	177	241	01.88-08.88	*
19.292FAK (D 2866 LF/290)		Diesel		11967	213	290	05.88-02.90	*
19.292FK (D 2866 LF/290)		Diesel		11967	213	290	07.86-02.90	*
24.292DFK (D 2866 LF/290)		Diesel		11967	213	290	04.87-02.90	*
26.292DFAK (D 2866 LF/290)		Diesel		11967	213	290	05.88-02.90	*
26.292DFK (D 2866 LF/290)		Diesel		11967	213	290	09.87-02.90	*
32.292VFK (D 2866 LF/290)		Diesel		11967	213	290	03.88-02.90	*
33.292DFAK (D 2866 LF/290)		Diesel		11967	213	290	05.88-02.90	*
33.292DFK (D 2866 LF/290)		Diesel		11967	213	290	09.87-02.90	*
35.292VFK (D 2866 LFZ/290)		Diesel		11967	213	290	10.88-04.95	*
41.292VFK (D 2866 LF/290)		Diesel		11967	213	290	10.88-02.90	*
24.302DFK (D 2866 LF04)		Diesel		11967	221	299	05.90-12.90	*
25.302DFK (D 2866 LF04)		Diesel		11967	221	299	09.90-12.91	*
26.302DFAK (D 2866 LF04)		Diesel		11967	221	299	05.90-12.91	*
26.302DFK (D 2866 LF04)		Diesel		11967	221	299	05.90-12.91	*
32.302VFK (D 2866 LF04)		Diesel		11967	221	299	05.90-09.91	*
35.302VFK (D 2866 LF04)		Diesel		11967	221	299	05.90-09.91	*
19.332FAK (D 2866 LF/330)		Diesel		11967	243	330	05.88-02.90	*
19.332FK (D 2866 LF/330)		Diesel		11967	243	330	07.86-02.90	*
24.332DFK (D 2866 LF/330)		Diesel		11967	243	330	04.87-02.90	*
26.332DFAK (D 2866 LF/330)		Diesel		11967	243	330	05.88-02.90	*
26.332 DFK (D 2866 LF/330)		Diesel		11967	243	330	09.87-02.90	*
32.332VFK (D 2866 LF/330)		Diesel		11967	243	330	03.88-02.90	*
33.332DFAK (D 2866 LF/330)		Diesel		11967	243	330	05.88-02.90	*
33.332DFK (D 2866 LF/330)		Diesel		11967	243	330	09.87-02.90	*
35.332VFK (D 2866 LFZ/330)		Diesel		11967	243	330	10.88-04.95	*
41.332VFK (D 2866 LF/330)		Diesel		11967	243	330	10.88-02.90	*
19.372FK (D 2866 LXF)		Diesel		11967	249	339	05.90-04.95	*

LISTA DE APLICACIONES - BUYERS GUIDE

24.372DFK (D 2866 LXF)		Diesel		11967	249	339	05.90-12.90	*
25.372DFK (D 2866 LXF)		Diesel		11967	249	339	09.90-12.92	*
32.372VFK (D 2866 LXF)		Diesel		11967	249	339	05.90-04.95	*
35.372VFK (D 2866 LXF)		Diesel		11967	249	339	02.90-04.95	*
19.362FAK (D 2866 LXF)		Diesel		11967	265	360	05.88-02.90	*
19.362FK (D 2866 KF)		Diesel		11967	265	360	07.86-02.90	*
19.362FK (D 2866 LXF)		Diesel		11967	265	360	07.86-02.90	*
24.362DFK (D 2866 KF)		Diesel		11967	265	360	04.87-02.90	*
24.362DFK (D 2866 LXF)		Diesel		11967	265	360	04.87-02.90	*
26.362DFAK (D 2866 LXF)		Diesel		11967	265	360	05.88-02.90	*
26.362DFK (D 2866 KF)		Diesel		11967	265	360	09.87-02.90	*
26.362DFK (D 2866 LXF)		Diesel		11967	265	360	09.87-02.90	*
32.362VFK (D 2866 LXF)		Diesel		11967	265	360	03.88-02.90	*
33.362DFAK (D 2866 LXF)		Diesel		11967	265	360	05.88-02.90	*
33.362DFK (D 2866 KF)		Diesel		11967	265	360	09.87-02.90	*
33.362DFK (D 2866 LXF)		Diesel		11967	265	360	09.87-02.90	*
35.362VFK (D 2866 LXF)		Diesel		11967	265	360	10.88-02.90	*
41.362VFK (D 2866 LXF)		Diesel		11967	265	360	10.88-02.90	*
48.362VFAK (D 2866 LXF)		Diesel		11967	265	360	07.89-02.90	*
19.372FAK (D 2866 LF03)		Diesel		11967	272	370	02.90-06.96	*
19.372FAK (D 2866 LF05)		Diesel		11967	272	370	02.90-06.96	*
19.372FAK (D 2866 LF15)		Diesel		11967	272	370	02.90-06.96	*
19.372FK (D 2866 LF03)		Diesel		11967	272	370	02.90-05.95	*
19.372FK (D 2866 LF05)		Diesel		11967	272	370	02.90-05.95	*
19.372FK (D 2866 LF15)		Diesel		11967	272	370	02.90-05.95	*
24.372DFK (D 2866 LF03)		Diesel		11967	272	370	02.90-12.90	*
24.372 DFS, 24.372 DFLS (D 2866 LF03)		Diesel		11967	272	370	02.90-04.95	*
25.372DFK (D 2866 LF03)		Diesel		11967	272	370	09.90-12.92	*
25.372DFK (D 2866 LF05)		Diesel		11967	272	370	09.90-12.92	*
26.372DFAK (D 2866 LF03)		Diesel		11967	272	370	01.92-06.96	*
26.372DFAK (D 2866 LF05)		Diesel		11967	272	370	01.92-06.96	*
26.372DFK (D 2866 LF03)		Diesel		11967	272	370	01.92-06.96	*
26.372DFK (D 2866 LF05)		Diesel		11967	272	370	01.92-06.96	*
26.372DFK (D 2866 LF15)		Diesel		11967	272	370	01.92-06.96	*
32.372VFK (D 2866 LF03)		Diesel		11967	272	370	02.90-06.96	*
32.372VFK (D 2866 LF05)		Diesel		11967	272	370	02.90-06.96	*
32.372VFK (D 2866 LF15)		Diesel		11967	272	370	02.90-06.96	*
33.372DFAK (D 2866 LF03)		Diesel		11967	272	370	01.91-06.96	*
33.372DFAK (D 2866 LF05)		Diesel		11967	272	370	01.91-06.96	*
33.372DFAK (D 2866 LF15)		Diesel		11967	272	370	01.91-06.96	*
33.372DFK (D 2866 LF03)		Diesel		11967	272	370	01.91-06.96	*
33.372DFK (D 2866 LF05)		Diesel		11967	272	370	01.91-06.96	*
33.372DFK (D 2866 LF15)		Diesel		11967	272	370	01.91-06.96	*
35.372VFK (D 2866 LF03)		Diesel		11967	272	370	02.90-06.96	*
35.372VFK (D 2866 LF05)		Diesel		11967	272	370	02.90-06.96	*
35.372VFK (D 2866 LF15)		Diesel		11967	272	370	02.90-06.96	*
35.372VFK (D 2866 LF03)		Diesel		11967	272	370	02.90-12.97	*
35.372VFK (D 2866 LF05)		Diesel		11967	272	370	02.90-12.97	*
35.372VFK (D 2866 LF15)		Diesel		11967	272	370	02.90-12.97	*
19.402FAK (D 2866 LF16)		Diesel		11967	294	400	05.94-06.96	*
19.402FK (D 2866 LF16)		Diesel		11967	294	400	05.94-05.95	*

LISTA DE APLICACIONES - BUYERS GUIDE

26.402 DFK,26.402 DFLK (D 2866 LF16)		Diesel		11967	294	400	05.94-06.96	*
32.402VFK (D 2866 LF16)		Diesel		11967	294	400	05.94-06.96	*
33.402DFAK (D 2866 LF16)		Diesel		11967	294	400	05.94-06.96	*
33.402DFK (D 2866 LF16)		Diesel		11967	294	400	05.94-06.96	*
35.402VFK (D 2866 LF16)		Diesel		11967	294	400	05.94-06.96	*
35.402VFK (D 2866 LF16)		Diesel		11967	294	400	05.94-12.97	*
19.422FAK (D 2866 LF06)		Diesel		11967	309	420	02.90-06.96	*
19.422FAK (D 2866 LF09)		Diesel		11967	309	420	02.90-06.96	*
19.422FK (D 2866 LF06)		Diesel		11967	309	420	02.90-05.95	*
19.422FK (D 2866 LF09)		Diesel		11967	309	420	02.90-05.95	*
24.422DFK (D 2866 LF06)		Diesel		11967	309	420	02.90-12.90	*
25.422DFK (D 2866 LF06)		Diesel		11967	309	420	09.90-12.92	*
25.422DFK (D 2866 LF09)		Diesel		11967	309	420	09.90-12.92	*
26.422DFAK (D 2866 LF06)		Diesel		11967	309	420	02.90-12.92	*
26.422DFAK (D 2866 LF09)		Diesel		11967	309	420	02.90-12.92	*
26.422DFK (D 2866 LF06)		Diesel		11967	309	420	02.90-12.95	*
26.422DFK (D 2866 LF09)		Diesel		11967	309	420	02.90-12.95	*
32.422VFK		Diesel		11967	309	420	02.90-06.96	*
33.422DFAK (D 2866 LF06)		Diesel		11967	309	420	01.94-06.96	*
33.422DFAK (D 2866 LF09)		Diesel		11967	309	420	01.94-06.96	*
33.422DFK (D 2866 LF06)		Diesel		11967	309	420	01.94-06.96	*
33.422DFK (D 2866 LF09)		Diesel		11967	309	420	01.94-06.96	*
35.422VFK (D 2866 LF06)		Diesel		11967	309	420	02.90-06.96	*
35.422VFK (D 2866 LF09)		Diesel		11967	309	420	02.90-06.96	*
35.422VFK (D 2866 LF06)		Diesel		11967	309	420	02.90-12.97	*
35.422VFK (D 2866 LF09)		Diesel		11967	309	420	02.90-12.97	*
19.462FK (D 2840 LF 460)		Diesel		18273	338	460	05.87-02.90	*
F90 06.86-12.97							Hormigonera	
32.262VFTM (D 2865 LF/260)		Diesel		9973	191	260	02.89-02.90	*
FOCL							Bus	
12.240 (D 0836 LOH 56)		Diesel		6871	176	240	08.07-	*
12.250 (D 0836 LOH 65)		Diesel		6871	184	250	08.04-	*
HOCL							Bus	
12.220 HOCL/R-NL (D 0826 LOH 15)		Diesel		6871	162	220	04.99-05.09	*
12.220 HOCL/R-NL (D 0826 LOH 17)		Diesel		6871	162	220	04.99-05.09	*
14.220 HOCL/R-NL (D 0826 LOH 15)		Diesel		6871	162	220	01.98-	*
14.220 HOCL/R-NL (D 0826 LOH 17)		Diesel		6871	162	220	01.98-	*
14.220 HOCL/R-NL (D 0826 LUH 11)		Diesel		6871	162	220	01.98-	*
18.220 HOCL/R-NL, HOCL/SKD(SL) (D 0826 LOH 03)		Diesel		6871	162	220	10.98-05.01	*
18.220 HOCL/R-NL, HOCL/SKD(SL) (D 0826 LOH 04)		Diesel		6871	162	220	10.98-05.01	*
18.220 HOCL/R-NL, HOCL/SKD(SL) (D 0826 LOH 05)		Diesel		6871	162	220	10.98-05.01	*
18.220 HOCL/R-NL, HOCL/SKD(SL) (D 0826 LOH 15)		Diesel		6871	162	220	10.98-05.01	*
18.220 HOCL/R-NL, HOCL/SKD(SL) (D 0826 LOH 17)		Diesel		6871	162	220	10.98-05.01	*
18.220 HOCL/R-NL, HOCL/SKD(SL) (D 0836 LOH 03)		Diesel		6871	162	220	10.98-05.01	*
12.240 HOCL-NL (D 0836 LOH 52)		Diesel		6871	176	240	05.00-	*
12.240 HOCL-NL (D 0836 LOH 56)		Diesel		6871	176	240	05.00-	*
14.240 HOCL-NL (D 0836 LOH 52)		Diesel		6871	176	240	05.00-	*
14.240 HOCL-NL (D 0836 LOH 56)		Diesel		6871	176	240	05.00-	*

LISTA DE APLICACIONES - BUYERS GUIDE

18.240 HOCL-NL (D 0836 LOH 52)		Diesel		6871	176	240	08.02-10.09	*
18.240 HOCL-NL (D 0836 LOH 56)		Diesel		6871	176	240	08.02-10.09	*
14.250 HOCL-NL (D 0836 LOH 61)		Diesel		6871	184	250	05.07-	*
18.250 HOCL-NL, HOCL-SKD(SL) (D 0826 LOH 10)		Diesel		6871	184	250	05.07-12.14	*
18.250 HOCL-NL, HOCL-SKD(SL) (D 0836 LOH 61)		Diesel		6871	184	250	05.07-12.14	*
18.280 HOCL-NL (D 0836 LOH 01)		Diesel		6871	206	280	05.02-08.08	*
18.280 HOCL-NL (D 0836 LOH 02)		Diesel		6871	206	280	05.02-08.08	*
18.280 HOCL-NL (D 0836 LOH 51)		Diesel		6871	206	280	05.02-08.08	*
18.280 HOCL-NL (D 0836 LOH 55)		Diesel		6871	206	280	05.02-08.08	*
18.290 HOCL-NL (D 0836 LOH 60)		Diesel		6871	213	290	05.07-12.14	*
18.310 HOCL-NL (D 2066 LUH 07)		Diesel		10518	228	310	01.06-10.09	*
18.310 HOCL-NL (D 2066 LUH 12)		Diesel		10518	228	310	01.06-10.09	*
18.310 HOCL-NL (D 2066 LUH 22)		Diesel		10518	228	310	01.06-10.09	*
18.320 HOCL-NL (D 2066 LUH 42)		Diesel		10518	235	320	05.07-12.14	*
18.310 HOCL/R (D 2866 LOH 25)		Diesel		11967	228	310	01.92-	*
18.310 HOCL/R (D 2866 LOH 27)		Diesel		11967	228	310	01.92-	*
HOCL								Bus
18.310 HOCL-NL (E 2876 LUH 02)		Gasolina		12816	228	310	05.07-	*
LION'S CITY 03.96-								Bus
19.240 (D 0836 LOH 52)		Diesel		6871	176	240	05.04-10.09	*
19.280 (D 0836 LOH 40)		Diesel		6871	206	280	05.04-	*
19.280 (D 0836 LOH 51)		Diesel		6871	206	280	05.04-	*
19.290 (D 0836 LOH 64)		Diesel		6871	213	290	05.04-	*
LION'S COACH 09.95-								Bus
400 (D 2066 LOH 32)		Diesel		10518	294	400	10.15-	*
440 (D 2676 LOH 30)		Diesel		12419	323	439	10.15-	*
C 440, L 440 (D 2676 LOH 30)		Diesel		12419	323	439	10.15-	*
C 480, L 480 (D 2676 LOH 31)		Diesel		12419	353	480	10.15-	*
M 2000 L 04.95-								Caja/Chasis
14.224 LAC, LARC (D 0826 LFL03)		Diesel		6871	162	220	08.95-	*
14.224 LAC, LARC (D 0826 LFL10)		Diesel		6871	162	220	08.95-	*
18.224, 18.225, LAC, LARC (D 0826 LFL03)		Diesel		6871	162	220	08.95-	*
18.224, 18.225, LAC, LARC (D 0826 LFL10)		Diesel		6871	162	220	08.95-	*
18.224, 18.225, LAC, LARC (D 0836 LFL 02)		Diesel		6871	162	220	08.95-	*
20.224, 20.225 LNLC, LNLLC		Diesel		6871	162	224	05.01-	*
14.263, 14.264 LAC, LARC (D 0826 LFL09)		Diesel		6871	191	260	08.95-	*
18.263, 18.264, LAC, LARC (D 0826 LFL09)		Diesel		6871	191	260	08.95-	*
14.284, 14.285, LAC, LARC (D 0836 LF 01)		Diesel		6871	206	280	06.98-	*
18.284 LAC, LARC (D 0836 LF 01)		Diesel		6871	206	280	06.98-	*
18.285 LAC, LARC (LE280B) (D 0836 LFL 03)		Diesel		6871	206	280	09.99-	* *
M 2000 L 04.95-								Camión volquete
14.224 LAK, LARK, LAK-L (D 0826 LFL03)		Diesel		6871	162	220	08.95-	*
14.224 LAK, LARK, LAK-L (D 0826 LFL10)		Diesel		6871	162	220	08.95-	*
14.224 LK, LRK (D 0826 LFL03)		Diesel		6871	162	220	08.95-	*
14.224 LK, LRK (D 0826 LFL10)		Diesel		6871	162	220	08.95-	*
15.224 LK, LRK, LK-L (D 0826 LFL03)		Diesel		6871	162	220	08.95-	*
15.224 LK, LRK, LK-L (D 0826 LFL10)		Diesel		6871	162	220	08.95-	*
18.224, 18.225, LAK, LARK, LAK-L (D 0826 LFL03)		Diesel		6871	162	220	08.95-	*
18.224, 18.225, LAK, LARK, LAK-L (D 0826 LFL10)		Diesel		6871	162	220	08.95-	*

LISTA DE APLICACIONES - BUYERS GUIDE

18.224, 18.225, LK, LK-L, LLK, LLK-L, LLRK, LRK (D 0826 LFL03)	Diesel		6871	162	220	08.95-	*		
18.224, 18.225, LK, LK-L, LLK, LLK-L, LLRK, LRK (D 0826 LFL10)	Diesel		6871	162	220	08.95-	*		
18.255 LAK, LARK, LAK-L	Diesel		6871	180	245	05.01-	*	*	
18.255 LK, LK-L, LLK, LLK-L, LLRK, LRK	Diesel		6871	180	245	11.02-	*	*	
26.224, 26.225, DL-HK, DLR-HK	Diesel		6871	180	245	11.02-	*	*	
26.255 DL-HK, DLR-HK	Diesel		6871	180	245	11.02-	*	*	
14.263, 14.264 LAK, LARK, LAK-L (D 0826 LFL09)	Diesel		6871	191	260	08.95-	*		
14.263, 14.264 LK, LRK (D 0826 LFL09)	Diesel		6871	191	260	08.95-	*		
15.263, 15.264 LK, LRK, LK-L (D 0826 LFL09)	Diesel		6871	191	260	08.95-	*		
18.263, 18.264, LAK, LARK, LAK-L (D 0826 LFL09)	Diesel		6871	191	260	08.95-	*		
18.263, 18.264, LK, LK-L, LLK, LLK-L, LLRK, LRK (D 0826 LFL09)	Diesel		6871	191	260	08.95-	*		
14.284, 14.285, LAK, LARK, LAK-L (D 0836 LF 01)	Diesel		6871	206	280	06.98-	*		
14.284, 14.285, LK, LRK (D 0836 LF 01)	Diesel		6871	206	280	10.98-	*		
15.284 LK, LRK, LK-L (D 0836 LF 01)	Diesel		6871	206	280	06.98-	*		
18.284, 18.285, LK, LK-L, LLK, LLK-L, LLRK, LRK (D 0836 LF 01)	Diesel		6871	206	280	06.98-	*		
18.284 LAK, LARK, LAK-L (D 0836 LF 01)	Diesel		6871	206	280	06.98-	*		
18.285 LAK, LARK, LAK-L, (LE280B) (D 0836 LFL 03)	Diesel		6871	206	280	09.99-	*	*	
26.284, 26.285, DL-HK, DLR-HK	Diesel		6871	206	280	11.02-	*	*	
M 2000 L 04.95-							Hormigonera		
26.285 DL-TM, DLR-TM	Diesel		6871	206	280	05.01-	*		
M 2000 L 04.95-							Veh. Municipal		
14.284, 14.285, LA-LF (D 0836 LF 01)	Diesel		6871	206	280	06.98-	*		
18.284, 18.285, L-KO, LR-KO (D 0836 LF 01)	Diesel		6871	206	280	06.98-	*		
M 2000 M 08.95-12.05							Cabeza tractora		
18.225 MLS, MLRS	Diesel		6871	162	220	02.03-12.05	*		
M 2000 M 08.95-12.05							Caja/Chasis		
18.224 MAC, MARC (D 0826 LF15)	Diesel		6871	162	220	08.95-12.05	*		
18.224 MAC, MARC (D 0826 LF18)	Diesel		6871	162	220	08.95-12.05	*		
18.264 MAC, MARC (D 0826 LF17)	Diesel		6871	191	260	08.95-12.05	*		
18.284 MAC, MARC (D 0836 LF 01)	Diesel		6871	206	280	06.98-12.05	*		
M 2000 M 08.95-12.05							Camión volquete		
14.224 MAK, MAK-L, MARK (D 0826 LF15)	Diesel		6871	162	220	08.95-12.05	*		
14.224 MAK, MAK-L, MARK (D 0826 LF18)	Diesel		6871	162	220	08.95-12.05	*		
14.224 MK (D 0826 LF15)	Diesel		6871	162	220	08.95-12.05	*		
14.224 MK (D 0826 LF18)	Diesel		6871	162	220	08.95-12.05	*		
18.224 MAK, MAK-L, MARK (D 0826 LF15)	Diesel		6871	162	220	08.95-12.05	*		
18.224 MAK, MAK-L, MARK (D 0826 LF18)	Diesel		6871	162	220	08.95-12.05	*		
18.224 MK, MK-L, MLK, MLRK, MRK (D 0826 LF15)	Diesel		6871	162	220	08.95-12.05	*		
18.224 MK, MK-L, MLK, MLRK, MRK (D 0826 LF18)	Diesel		6871	162	220	08.95-12.05	*		
18.225 MK, MK-L, MLK, MLRK, MRK	Diesel		6871	162	220	10.00-12.05	*	*	
18.255 MAK, MAK-L, MARK	Diesel		6871	180	245	10.00-12.05	*	*	
18.255 MK, MK-L, MLK, MLRK, MRK	Diesel		6871	180	245	11.02-12.05	*	*	
18.264 MAK, MAK-L, MARK (D 0826 LF17)	Diesel		6871	191	260	08.95-12.05	*		
18.264 MK, MK-L, MLK, MLRK, MRK (D 0826 LF17)	Diesel		6871	191	260	08.95-12.05	*		
14.284 MAK, MAK-L, MARK (D 0836 LF 01)	Diesel		6871	206	280	06.98-12.05	*		
18.284 MAK, MAK-L, MARK (D 0836 LF 01)	Diesel		6871	206	280	06.98-12.05	*		

LISTA DE APLICACIONES - BUYERS GUIDE

18.284 MK, MK-L, MLK, MLRK, MRK (D 0836 LF 01)	Diesel		6871	206	280	06.98-12.05	*		
18.285 MK, MK-L, MLK, MLRK, MRK	Diesel		6871	206	280	02.03-12.05	*	*	
M 2000 M 08.95-12.05							Veh. Municipal		
14.284 MA-KO, MA-LF (D 0836 LF 01)	Diesel		6871	206	280	06.98-12.05	*		
NG 08.92-							Bus		
NG 262, NG 272 (D 0826 LUH 01)	Diesel		6871	191	260	08.92-07.98	*	*	
NG 262 (D 2865 LUH09)	Diesel		9973	191	260	06.97-07.98	*	*	
NG 312 (D 2865 LUH07)	Diesel		9973	228	310	09.95-07.98	*	*	
NG 313 (D 2066 LUH 12)	Diesel		10518	228	310	01.06-10.09	*		
NG 313 (D 2066 LUH 22)	Diesel		10518	228	310	01.06-10.09	*		
NG 323 (D 2066 LUH 42)	Diesel		10518	235	320	05.07-12.14	*		
NG 353 (D 2066 LUH 13)	Diesel		10518	257	350	05.07-12.14	*		
NG 353 (D 2066 LUH 23)	Diesel		10518	257	350	05.07-12.14	*		
NG 363 (D 2066 LUH 48)	Diesel		10518	264	360	05.07-12.14	*		
NG 262, NG 263 (D 2866 LUH 22)	Diesel		11967	191	260	07.98-	*	*	
NG 312, NG 313 (D 2866 LUH26)	Diesel		11967	228	310	07.98-	*	*	
NG 08.92-							Bus		
NG 313 (E 2876 LUH 02)	Gasolina		12816	228	310	05.07-12.14	*		
NL 09.88-							Bus		
NL 202, NL 222, NL 223 (D 0826 LUH 03)	Diesel		6871	157	214	08.92-	*	*	
NL 202, NL 222, NL 223 (D 0826 LUH 12)	Diesel		6871	157	214	08.92-	*	*	
NL 202, NL 262, NL 263 (D 0826 LUH)	Diesel		6871	184	250	04.91-	*	*	
NL 262 (D 2865 LUH09)	Diesel		9973	191	260	06.97-	*	*	
NL 273 (D 2066 LUH 11)	Diesel		10518	199	271	01.06-10.09	*	*	
NL 273 (D 2066 LUH 21)	Diesel		10518	199	271	01.06-10.09	*	*	
NL 283 (D 2066 LUH 41)	Diesel		10518	206	280	08.12-	*		
NL 313 (D 2066 LUH 12)	Diesel		10518	228	310	01.06-10.09	*		
NL 313 (D 2066 LUH 22)	Diesel		10518	228	310	01.06-10.09	*		
NL 323 (D 2066 LUH 42)	Diesel		10518	235	320	05.07-	*		
NL 262, NL 263 (D 2866 LUH 22)	Diesel		11967	191	260	07.98-	*	*	
NL 313 (D 2866 LUH26)	Diesel		11967	228	310	07.98-	*		
NL 09.88-							Bus		
NL 243 (E 2866 DUH 03)	Gasolina		11967	180	245	05.07-12.14	*	*	
NL 243 (E 2866 DUH 04)	Gasolina		11967	180	245	05.07-12.14	*	*	
NL 313 (E 2876 LUH 02)	Gasolina		12816	228	310	05.07-12.14	*		
NM 08.87-							Bus		
NM 222, NM 223 (D 0826 LOH 15)	Diesel		6871	162	220	02.96-	*		
NM 222, NM 223 (D 0826 LUH 12)	Diesel		6871	162	220	02.96-	*		
TGA 03.00-							Cabeza tractora		
26.310	Diesel		11967	228	310	12.00-	*	*	
26.360	Diesel		11967	265	360	12.00-	*	*	
26.460	Diesel		12816	338	460	12.00-	*	*	
26.480	Diesel		12816	353	480	09.02-	*	*	
26.510	Diesel		12816	375	510	12.00-	*	*	
26.530	Diesel		12816	390	530	09.02-	*	*	
TGA 03.00-							Caja/Chasis		
28.310	Diesel		10518	228	310	07.06-	*		
28.320	Diesel		10518	228	310	07.06-	*	*	

LISTA DE APLICACIONES - BUYERS GUIDE

28.350, 28.360		Diesel		10518	257	350	06.04-	*	*	
35.360		Diesel		10518	265	360	07.06-	*		
28.390 (D 2066 LF 02)		Diesel		10518	287	390	07.06-	*		
28.390 (D 2066 LF 12)		Diesel		10518	287	390	07.06-	*		
28.390, 28.400		Diesel		10518	287	390	06.04-	*	*	
28.400 (D 2066 LF 26)		Diesel		10518	294	400	07.06-	*		
28.400 (D 2066 LF 37)		Diesel		10518	294	400	07.06-	*		
35.400		Diesel		10518	294	400	11.06-	*		
26.430, 26.440		Diesel		10518	316	430	05.04-	*	*	
28.430		Diesel		10518	316	430	09.02-10.08	*		
28.440		Diesel		10518	324	440	07.06-	*		
35.440		Diesel		10518	324	440	11.06-	*		
28.310		Diesel		11967	228	310	07.06-	*		
26.360		Diesel		11967	265	360	09.00-	*	*	
28.360		Diesel		11967	265	360	07.06-	*		
28.410		Diesel		11967	301	410	07.06-	*		
26.480		Diesel		12419	353	480	02.06-	*	*	
35.480		Diesel		12419	353	480	11.06-	*		
26.540		Diesel		12419	397	540	08.06-	*	*	
26.480		Diesel		12816	353	480	09.02-	*	*	
26.510		Diesel		12816	375	510	12.00-	*	*	
26.530		Diesel		12816	390	530	09.02-	*	*	
TGA 03.00-							Camión volquete			
35.440		Diesel		10518	324	440	07.06-	*		
26.410 (D 2866 LF28)		Diesel		11967	301	410	02.02-	*		
TGA 03.00-							Hormigonera			
33.430 (D 2066 LF 01)		Diesel		10518	316	430	09.07-	*		
TGA 03.00-							Veh. Municipal			
26.430, 26.440		Diesel		10518	316	430	06.05-	*		
ÜL 09.89-							Bus			
ÜL 312,ÜL 322 (D 2865 LUH07)		Diesel		9973	228	310	04.92-09.96	*		
ÜL 312,ÜL 322 (D 2865 LUH08)		Diesel		9973	228	310	04.92-09.96	*		
ÜL 313 (D 2866 LUH 20)		Diesel		11967	228	310	09.96-	*	*	
ÜL 313 (D 2866 LUH26)		Diesel		11967	228	310	09.96-	*	*	
ÜL 353 (D 2866 LUH 21)		Diesel		11967	257	350	06.97-	*	*	
RENAULT TRUCKS										
Agora 01.96-							Bus			
Agora (MIDR 06.20.45 I41)		Diesel		9840	186	253	01.96-	*	*	
Agora (MIDR 06.20.45 I41)		Diesel		9840	186	253	01.96-	*	*	
SETRA										
300 Series 09.91-02.02							Bus			
S315GT-HD, S315HD, S315HDH (OM 445.935)		Diesel		10964	213	290	01.96-	*	*	
S315GT-HD, S315HD, S315HDH (D 2866 LOH 23)		Diesel		11967	294	400	09.94-02.02	*	*	
S316HDS, S317GT-HD, S317HD, S317HDH (OM 446.924)		Diesel		14618	280	381	09.91-02.02	*	*	
S316HDS, S317GT-HD, S317HD, S317HDH (OM 446.930)		Diesel		14618	280	381	09.91-02.02	*	*	
S316HDS, S317GT-HD, S317HD, S317HDH (OM 446.931)		Diesel		14618	280	381	09.91-02.02	*	*	
VAN HOOL										

LISTA DE APLICACIONES - BUYERS GUIDE

A Series 09.98-								Bus	
A 308		Diesel		6871	176	239	10.06-	*	*
A 330 (PR 183 S)		Diesel		9186	183	249	10.06-	*	*
A 330 (PR 228 S)		Diesel		9186	228	310	10.06-	*	*
AG 300 (PR 228 S)		Diesel		9186	228	310	10.06-	*	*
AG 300 (PR 265 S)		Diesel		9186	265	360	10.06-	*	*
A 330		Diesel		10518	235	320	10.06-	*	*
AG 300		Diesel		10518	265	360	10.06-	*	*