

LISTA DE APLICACIONES - BUYERS GUIDE

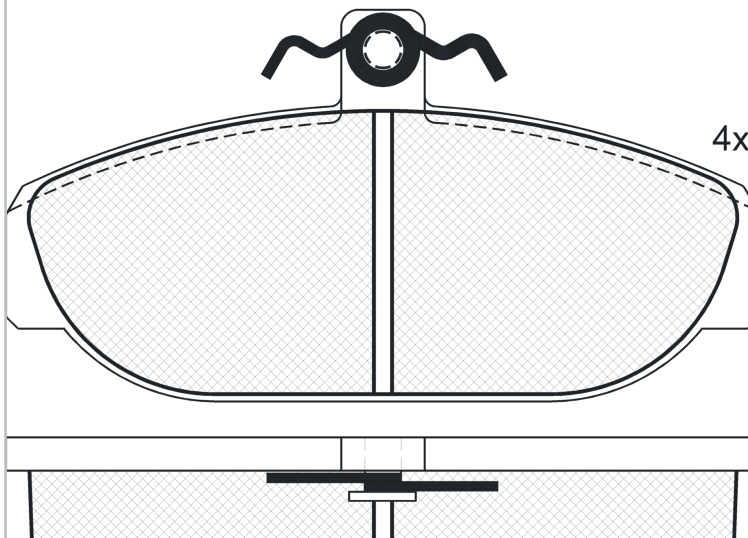
RB1014



Qty: 300

Weight: 1.440

O.E.M.	MAKE
2 701 751	VOLVO
2 701 951	VOLVO
2 711 84	VOLVO
2 711 844	VOLVO
2 717 07	VOLVO
2 720 21	VOLVO
2 728 71	VOLVO
2 728 715	VOLVO
3 126 118 2	VOLVO
3 530 617	VOLVO



RB1014

E 9 90R-01111/1658



Lucas - Girling

124.8x64.8x17

WVA
21231
21266

FMSI
D565-7444

Sin Filas



Trac.	CC	Kw	CV
-------	----	----	----



Front / Rear

VOLVO

780 (782) 04.86-11.90

Coupé (Executive car-E Segment)

Model	Fuel	Trac.	CC	Kw	CV	Period	Notes
2.0 i 16V Turbo	Gasolina	FWD	1995	89	121	04.86-07.90	*
2.9 (B 280 F)	Gasolina	RWD	2849	108	147	08.87-07.90	*
2.9 (B 280 E)	Gasolina	RWD	2849	115	156	08.86-07.87	*
2.4 D (D 24 TIC)	Diesel	RWD	2383	90	122	04.86-07.90	*

940 (944) 08.90-03.95

Sedán (Executive car-E Segment)

Model	Fuel	Trac.	CC	Kw	CV	Period	Notes
2.0 (B 200 F)	Gasolina	RWD	1986	82	112	01.92-07.94	*
2.0 (B 200 E)	Gasolina	RWD	1986	89	121	09.90-09.93	*
2.0 (B 200 G)	Gasolina	RWD	1986	89	121	09.90-09.93	*
2.0 (B 204 FT)	Gasolina	RWD	1986	102	139	09.90-09.93	*
2.0 GL (B 204 E)	Gasolina	RWD	1986	103	140	09.90-04.92	*
2.3 (B 230 FD)	Gasolina	RWD	2316	85	116	08.92-07.94	*
2.3 (B 230 FB)	Gasolina	RWD	2316	96	131	08.90-12.94	*
2.3 (B 230 G)	Gasolina	RWD	2316	96	131	08.90-12.94	*
2.3 (B 230 FK)	Gasolina	RWD	2316	99	135	05.91-03.95	*
2.3 (B 234 F)	Gasolina	RWD	2316	114	156	08.90-07.91	*
2.3 (B 234 G)	Gasolina	RWD	2316	114	156	08.90-07.91	*
2.3 Turbo (B 230 FT)	Gasolina	RWD	2316	121	165	08.90-07.94	*
2.3 Turbo (B 230 FT+)	Gasolina	RWD	2316	140	190	08.91-07.93	*
2.4 D (D 24)	Diesel	RWD	2383	60	82	08.90-12.94	*
2.4 Turbo Diesel (D 24 T)	Diesel	RWD	2383	80	109	08.90-12.94	*
2.4 TD Intercooler (D 24 TIC)	Diesel	RWD	2383	90	122	08.90-12.94	*

LISTA DE APLICACIONES - BUYERS GUIDE

940 Kombi (945) 08.90-10.95					[CAMBIADO]:Break (Executive car-E Segment)			
2.0 (B 200 F)	Gasolina	RWD	1986	82	112	01.92-07.94	*	
2.0	Gasolina	FWD	1986	89	121	09.90-09.93	*	
2.0 GL (B 204 E)	Gasolina	RWD	1986	103	140	09.90-04.92	*	
2.0 Turbo (B 200 FT)	Gasolina	RWD	1986	114	155	01.91-07.95	*	
2.3 (B 230 FD)	Gasolina	RWD	2316	85	116	08.92-07.94	*	
2.3 (B 230 FB)	Gasolina	RWD	2316	96	131	08.90-12.94	*	
2.3 (B 234 F)	Gasolina	RWD	2316	114	155	08.90-07.91	*	
2.3 Turbo (B 230 FT)	Gasolina	RWD	2316	121	165	08.90-07.94	*	
2.3 Turbo (B 230 FT+)	Gasolina	RWD	2316	140	190	08.91-07.93	*	
2.4 D (D 24)	Diesel	RWD	2383	60	82	08.90-07.95	*	
2.4 Turbo Diesel (D 24 T)	Diesel	RWD	2383	80	109	08.90-07.94	*	
2.4 TD Intercooler (D 24 TIC)	Diesel	RWD	2383	90	122	08.90-08.94	*	
2.4 TD	Diesel	RWD	2383	95	130	05.91-03.95	*	
960 (964) 08.90-07.94					Sedán (Executive car-E Segment)			
2.0 (B 200 F)	Gasolina	RWD	1986	82	111	09.90-09.93	*	
2.0 (B 204 E)	Gasolina	RWD	1986	103	140	09.90-08.93	*	
2.0 (B 204 FT)	Gasolina	RWD	1986	140	190	08.90-09.93	*	
2.3 Turbo (B 230 FT)	Gasolina	RWD	2316	121	165	09.90-08.93	*	
2.8 GL (B 280 F)	Gasolina	RWD	2849	108	147	09.90-05.92	*	
2.8 GL	Gasolina	FWD	2849	115	156	09.90-05.92	*	
2.9 (B 6304 F)	Gasolina	RWD	2922	150	204	08.90-07.94	*	
2.9 (B 6304 FS)	Gasolina	RWD	2922	150	204	08.90-07.94	*	
2.9 (B 6304 GS)	Gasolina	RWD	2922	150	204	08.90-07.94	*	
2.4 TD Interc. (D 24 TIC)	Diesel	RWD	2383	85	115	09.91-07.94	*	
960 Kombi (965) 08.90-07.94					[CAMBIADO]:Break (Executive car-E Segment)			
2.0 (B 204 E)	Gasolina	RWD	1986	103	140	09.90-08.93	*	
2.0 (B 204 FT)	Gasolina	RWD	1986	140	190	08.90-09.93	*	
2.3 Turbo (B 230 FT)	Gasolina	RWD	2316	121	165	09.90-08.93	*	
2.8 (B 280 F)	Gasolina	RWD	2849	108	147	09.90-05.92	*	
2.8	Gasolina	FWD	2849	115	156	09.90-05.92	*	
2.9 (B 6304 F)	Gasolina	RWD	2922	150	204	08.90-07.94	*	
2.9 (B 6304 S)	Gasolina	RWD	2922	150	204	08.90-07.94	*	
2.4 TD Interc. (D 24 TIC)	Diesel	RWD	2383	85	115	09.91-07.94	*	
2.4 TDi (D 24 TIC)	Diesel	RWD	2383	90	122	09.90-08.93	*	