

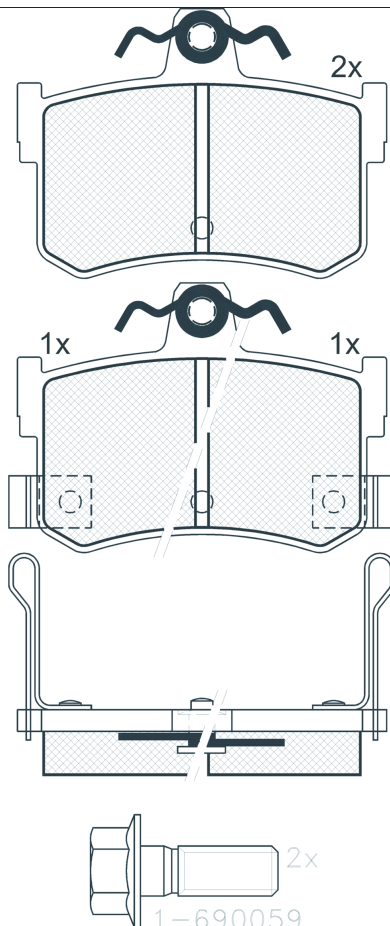
LISTA DE APLICACIONES - BUYERS GUIDE

RB0995-701



Qty: 944 Weight: 895

O.E.M.	MAKE
GBP90323	ROVER
SFP000360	ROVER
SFP100012	ROVER
SFP10012	ROVER



RB0995-701

E 9 90R-02A0110/0210



Lucas - Girling

85x62.13x14.5

WVA
21682
21683
21684

Sin Filas



Trac.	CC	Kw	CV
-------	----	----	----



Front / Rear

MG

MG F (RD) 03.95-03.02

Cabrío (Sports car-S Segment)

1.6 (16 K4F)	Gasolina	RWD	1588	82	111	02.00-03.02	*
1.8 i 16V (18 K4F)	Gasolina	RWD	1796	88	120	03.95-03.02	*
1.8 i VVC (18 K4K)	Gasolina	RWD	1796	107	146	03.95-03.02	*
1,8 i VVC (18 K4K)	Gasolina	RWD	1796	118	160	10.01-03.02	*

MG R V8 09.92-12.95

Cabrío (Sports car-S Segment)

3.9	Gasolina	RWD	3947	140	190	09.92-12.95	*
-----	----------	-----	------	-----	-----	-------------	---

MG TF 03.02-12.09

Cabrío (Sports car-S Segment)

115 (16 K4F)	Gasolina	RWD	1588	85	116	03.02-12.09	*
120 (18 K4F)	Gasolina	RWD	1796	88	120	03.02-12.09	*
135 (18 K4F)	Gasolina	RWD	1796	100	136	03.02-12.09	*
160 (18 K4K)	Gasolina	RWD	1796	118	160	03.02-12.09	*

ROVER

800 (XS) 10.86-02.99

[CAMBIADO]:Fastback (Executive car-E Segment)

820 SI (XS) (20 HD M 16)	Gasolina	FWD	1994	98	133	10.88-12.91	*
2.0 (20 T4H)	Gasolina	FWD	1994	100	136	08.87-09.88	*
820 Sport (20 T4G)	Gasolina	FWD	1994	145	197	04.94-03.96	*
820 i/Si (XS) (20 T4H)	Gasolina	FWD	1996	100	136	01.91-02.99	*
820 16V Turbo (RS) (T 16)	Gasolina	FWD	1996	132	180	11.91-02.99	*
2.5 (25 K4F)	Gasolina	FWD	2497	129	175	02.96-10.98	*
2.5 si (25 K4F)	Gasolina	FWD	2497	129	175	02.96-10.98	*
827 24V I/SI Cat (RS) (C 27 A1)	Gasolina	FWD	2675	124	169	01.92-02.99	*
827 Vitesse Catalytic-Conv (XS) (C 27 A1)	Gasolina	FWD	2675	124	169	10.88-12.91	*

LISTA DE APLICACIONES - BUYERS GUIDE

827 Vitesse/SLI (C 27 A2)	Gasolina	FWD	2675	130	177	10.88-12.91	*
825 D/SD (XS) (425 SL1RR)	Diesel	FWD	2500	87	118	01.92-02.99	*
825 D/SD (XS) (492 4 SHIRG)	Diesel	FWD	2500	87	118	01.92-02.99	*
800 08.92-02.99							Coupé (Executive car-E Segment)
820 16V	Gasolina	FWD	1994	100	136	07.97-02.99	*
820 (20 T4G)	Gasolina	FWD	1994	132	180	02.96-10.97	*
820 (20 T4G)	Gasolina	FWD	1994	145	197	12.96-02.99	*
825 Si (RS) (25 K4F)	Gasolina	FWD	2497	129	175	04.96-02.99	*
827 24V (RS) (C 27 A1)	Gasolina	FWD	2675	124	169	08.92-02.99	*
825 SD (425 SL1RR)	Diesel	FWD	2500	87	118	09.93-02.99	*
825 SD (492 4 SHIRG)	Diesel	FWD	2500	87	118	09.93-02.99	*
800 (XS) 10.86-02.99							Sedán (Executive car-E Segment)
820 SI (XS) (20 HD M 16)	Gasolina	FWD	1994	98	133	10.88-12.91	*
820 (20 T4G)	Gasolina	FWD	1994	132	180	05.92-02.99	*
820 (20 T4H)	Gasolina	FWD	1994	132	180	05.92-02.99	*
820 Sport (20 T4G)	Gasolina	FWD	1994	145	197	04.94-03.96	*
820 I/SI (RS) (20 T4H)	Gasolina	FWD	1996	100	136	01.92-02.99	*
820 16V Turbo (RS) (T 16)	Gasolina	FWD	1996	132	180	01.92-02.99	*
825 Si Lux (RS) (25 K4F)	Gasolina	FWD	2497	129	175	04.96-02.99	*
827 SI/Sterling Catalytic-Conv (XS) (C 27 A1)	Gasolina	FWD	2675	124	169	02.88-02.99	*
827 SI/Sterling (XS) (C 27 A2)	Gasolina	FWD	2675	130	177	02.88-12.91	*
825 D/SD (XS) (425 SL1RR)	Diesel	FWD	2500	87	118	01.90-02.99	*
825 D/SD (XS) (492 4 SHIRG)	Diesel	FWD	2500	87	118	01.90-02.99	*