

LISTA DE APLICACIONES - BUYERS GUIDE

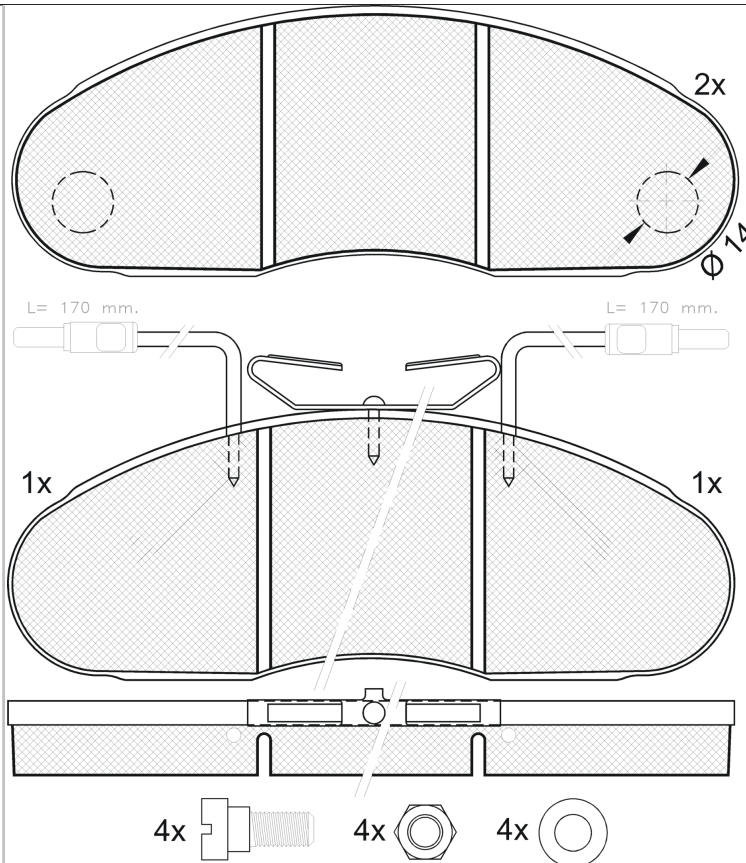
RB0994



Qty: 639

Weight: 2.419

O.E.M.	MAKE
06905294-1	NISSAN
41060-G490A	NISSAN
50 00 823 566	RENAULT
50 01 834 527	NISSAN
50 01 842 048	RENAULT
50002-95329	NISSAN
50008-15574	NISSAN
77 01 203 700	RENAULT



RB0994



Bendix

166.7x62.1x17

WVA

20984
20985
29071
29984
29985

Sin Filas



Trac.	CC	Kw	CV
-------	----	----	----



Front / Rear

NISSAN

ATLAS (F23, H41, H42) 07.92-06.07

				Caja/Chasis (LCVs-N1 Segment)				
2.4	Gasolina	FWD	2389	91	124	10.95-10.04	*	
2.7 TDiC	Diesel	RWD	2664	92	125	07.96-10.04	*	

CABSTAR E 10.98-10.06

				Caja/Chasis				
75.28 (LD23)	Diesel		2283	55	74	10.98-10.06	*	
90.32 (TD27T)	Diesel		2663	66	89	10.98-10.06	*	
105.35, 110.35 (BD-30TI)	Diesel		2953	78	106	10.98-10.06	*	
110.45 (BD-30TI)	Diesel		2953	78	106	10.98-10.06	*	
120.35, 125.35 (BD-30TI)	Diesel		2953	88	119	10.98-10.06	*	
120.45 (BD-30TI)	Diesel		2953	88	119	10.98-10.06	*	

ECO-T 01.97-12.00

				Caja/Chasis				
100.35 (BD30TI)	Diesel		2953	80	109	01.97-12.00	*	
100.35 (BD-30TI)	Diesel		2953	80	109	01.97-12.00	*	

L Series 01.95-12.00

				Caja/Chasis				
35.085 (BD30II)	Diesel		2953	63	86	01.95-12.00	*	

TRADE 11.86-03.93

				[CAMBIADO]:Furgón (LCVs-N1 Segment)				
2.0 D (LD20)	Diesel	RWD	1952	44	60	11.86-03.93	*	
75 (LD23)	Diesel	RWD	2283	55	75	05.97-12.00	*	
3.0 D (BD30II)	Diesel	RWD	2953	63	86	04.93-10.98	*	
100 (BD-30TI)	Diesel	RWD	2953	78	106	01.96-12.98	*	

TRADE 11.86-06.94

				Caja/Chasis (LCVs-N1 Segment)				
2.0 D (LD20)	Diesel	RWD	1952	44	60	11.86-03.93	*	

LISTA DE APLICACIONES - BUYERS GUIDE

3.0 D (BD30II)		Diesel	RWD	2953	63	86	04.93-10.98	*
3.0 D (BD30II)		Diesel	RWD	2953	63	86	01.94-12.98	*
3.0 D (BD-30TI)		Diesel	RWD	2953	78	106	01.96-12.98	*
RENAULT								
MASTER (T_) 07.80-07.98					[CAMBIADO]:Furgón (LCVs-N1 Segment)			
28-35 2.1 D (J8S 330)		Diesel	FWD	2068	44	60	08.80-07.98	*
28-35 2.4 D (8140.61.2300)		Diesel	FWD	2445	52	71	08.80-08.89	*
28-35 2.4 D (S8U 731)		Diesel	FWD	2445	52	71	08.80-08.89	*
MASTER (T_) 08.80-07.98					Bus (Minibus-M2-Segment)			
28-35 2.1 D (J8S 330)		Diesel	FWD	2068	44	60	08.80-07.98	*
28-35 2.4 D (8140.61.2300)		Diesel	FWD	2445	52	71	08.80-08.89	*
28-35 2.4 D (S8U 731)		Diesel	FWD	2445	52	71	08.80-08.89	*
2.4 D (S8U 731)		Diesel	RWD	2445	53	72	09.86-10.89	*
MASTER (P_) 07.80-07.98					Caja/Chasis (LCVs-N1 Segment)			
2.1 D (J8S 330)		Diesel	RWD	2068	46	63	11.89-07.93	*
RENAULT TRUCKS								
B 01.83-01.92					[CAMBIADO]:Furgón (LCVs-N1 Segment)			
2.4 60.45		Diesel	RWD	2395	55	75	01.83-	*
70 (8140.61.235)		Diesel	RWD	2445	53	72	01.83-12.90	*
B 01.83-06.99					Caja/Chasis (LCVs-N1 Segment)			
70 (8140.61.235)		Diesel	RWD	2445	53	72	01.83-12.90	*
MESSENGER 09.90-06.99					[CAMBIADO]:Furgón (LCVs-N1 Segment)			
B 80.35 (FN40B5) (8140.07.2585)		Diesel	RWD	2500	55	75	09.90-06.99	*
B 80.35 (FN40B5) (8140.67.2585)		Diesel	RWD	2500	55	75	09.90-06.99	*
B 80.45 (FN40A5) (8140.07.2585)		Diesel	RWD	2500	55	75	09.90-06.99	*
B 80.45 (FN40A5) (8140.67.2585)		Diesel	RWD	2500	55	75	09.90-06.99	*
B 80.35 (FN40B5) (8140.07.2530 ID)		Diesel	RWD	2500	56	76	09.90-06.99	*
B 80.45 (FN40A5) (8140.07.2530 ID)		Diesel	RWD	2500	56	76	09.90-06.99	*
B 120.55 (FN60F5) (8140.47.2585)		Diesel	RWD	2500	85	116	01.94-09.96	*
B 110.45		Diesel	RWD	2800	78	106	09.96-06.99	*
B 110.45 4x4 (4x4F06) (8140.23.2565)		Diesel	4WD	2800	78	106	09.96-06.99	*
B 120.35 (8140.43.2585)		Diesel	RWD	2800	90	122	09.96-06.99	*
B 120.55 (FN60F7) (8140.43.2585)		Diesel	RWD	2800	90	122	09.96-06.99	*
MESSENGER 09.90-06.99					Caja/Chasis (LCVs-N1 Segment)			
B 120.35 (FN40B5) (8140.47.2530 IDR)		Diesel	RWD	2499	85	116	10.91-07.96	*
B 120.35 (FN40B5) (8140.47.2590)		Diesel	RWD	2499	85	116	10.91-07.96	*
B 80.35 (FN40B5) (8140.07.2585)		Diesel	RWD	2500	55	75	09.90-06.99	*
B 80.35 (FN40B5) (8140.67.2585)		Diesel	RWD	2500	55	75	09.90-06.99	*
B 80.45 (FN40A5) (8140.07.2585)		Diesel	RWD	2500	55	75	09.90-06.99	*
B 80.45 (FN40A5) (8140.67.2585)		Diesel	RWD	2500	55	75	09.90-06.99	*
B 80.35 (FN40B5) (8140.07.2530 ID)		Diesel	RWD	2500	56	76	09.90-06.99	*
B 80.45 (FN40A5) (8140.07.2530 ID)		Diesel	RWD	2500	56	76	09.90-06.99	*
B 120.55 (FN60F5) (8140.47.2585)		Diesel	RWD	2500	85	116	01.94-09.96	*
B 120.65 (FN60F6) (8140.47.2585)		Diesel	RWD	2500	85	116	01.94-09.96	*
B 110.45 16V 4x4 (4x4F06)		Diesel	4WD	2800	78	106	09.96-06.99	*
B 110.45 4x4 (4x4F06) (8140.23.2565)		Diesel	4WD	2800	78	106	09.96-06.99	*
B 120.35 (FN40B7) (8140.43.2585)		Diesel	RWD	2800	90	122	09.96-06.99	*
B 120.55 (FN60F7) (8140.43.2585)		Diesel	RWD	2800	90	122	09.96-06.99	*

LISTA DE APLICACIONES - BUYERS GUIDE

B 120.65 (FN60F8) (8140.43.2585)	Diesel	RWD	2800	90	122	09.96-06.99	*
MESSENGER 01.94-06.99				Tractor semirrem. (LCVs-N1 Segment)			
B 120.55T (FN60F5) (8140.47.2585)	Diesel	RWD	2500	85	116	01.94-09.96	*
B 120.55T (FN60F7) (8140.43.2585)	Diesel	RWD	2800	90	122	09.96-06.99	*
MESSENGER 09.96-06.99				Volquete (Volquete-N2 Segment)			
B 120.35 (8140.43.2585)	Diesel	RWD	2800	90	122	09.96-06.99	*
B 120.55 (8140.43.2585)	Diesel	RWD	2800	90	122	09.96-06.99	*
B 120.65 (8140.43.2585)	Diesel	RWD	2800	90	122	09.96-06.99	*