

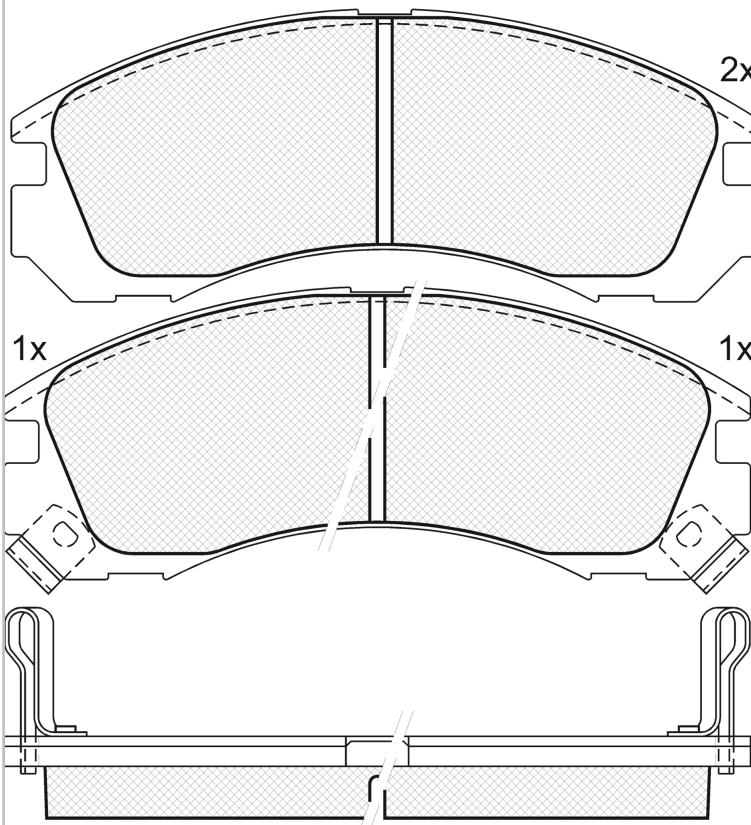
LISTA DE APLICACIONES - BUYERS GUIDE

RB0979



Qty: 639

Weight: 1.835



RB0979

E 9 90R-01109/1312



Akebono

149.9x58.8x16

WVA

21363

21768

21769

FMSI

D530-7412

Sin Filas

O.E.M.	MAKE
46 05A 730	MITSUBISHI
46 05A 774	MITSUBISHI
46 05B 330	MITSUBISHI
MB 699 452	MITSUBISHI
MB 857 837	DODGE
MB 895 250	MITSUBISHI
MB 928 049	MITSUBISHI
MN 102 608	MITSUBISHI
MN 102 610	MITSUBISHI
MR 128 312	MITSUBISHI
MR 129 103	MITSUBISHI
MR 129 104	MITSUBISHI
MR 129 432	MITSUBISHI
MR 389 516	MITSUBISHI
MR 389 542	MITSUBISHI
MR 389 543	MITSUBISHI
MR 389 544	MITSUBISHI
MR 389 546	MITSUBISHI
MR 389 548	MITSUBISHI
MR 449 544	MITSUBISHI
MZ 690 006	MITSUBISHI
MZ 690 007	MITSUBISHI
MZ 690 007E	MITSUBISHI
MZ 690 332	MITSUBISHI
X3 511 003	MITSUBISHI



Trac.	CC	Kw	CV
-------	----	----	----



Front / Rear

CHANGFENG

							Closed SUV (Compact SUV-J Segment)		
DUV 01.09-									
2.4		Gasolina	FWD	2351	96	131	01.09-	*	
2.4		Gasolina	FWD	2351	96	131	01.09-	*	
HEIJINGANG 01.02-									
2.4		Gasolina	FWD	2350	95	127	09.07-	*	
2.4		Gasolina	FWD	2350	95	127	09.07-	*	
3.0		Gasolina	FWD	2972	133	178	09.07-	*	
3.0		Gasolina	FWD	2972	133	178	09.07-	*	

CITROËN

							Furgoneta/SUV (Compact SUV-J Segment)		
C-CROSSER (VU_) 02.07-12.12									
2.2 HDi (VU4HNNH)		Diesel	4WD	2179	115	156	06.07-12.12	*	
C-CROSSER (VU_, VV_) 02.07-									
							SUV (Compact SUV-J Segment)		
2.0 (4B11)		Gasolina	FWD	1998	108	147	11.10-12.12	*	
2.0 Alas 4 ruedas (4B11)		Gasolina	4WD	1998	108	147	11.10-12.12	*	
2.4 16V (SFZ (4B12 MMC))		Gasolina	4WD	2360	125	170	08.08-12.12	*	
2.0 HDi 140		Diesel	RWD	1995	98	134	02.07-	*	
2.2 HDi (4HK (DW12ME5))		Diesel	4WD	2179	115	156	02.07-12.12	*	
2.2 HDi (4HN (DW12MTED4))		Diesel	4WD	2179	115	156	02.07-12.12	*	
C-CROSSER ENTERPRISE (VU_, VV_) 01.09-									
							Furgoneta/SUV (Compact SUV-J Segment)		
2.4 16V (4B12)		Gasolina	4WD	2360	125	170	01.09-	*	
2.2 HDi (4HN (DW12MTED4))		Diesel	4WD	2179	115	156	01.09-	*	

LISTA DE APLICACIONES - BUYERS GUIDE

DODGE								
STEALTH 09.90-12.96					[CAMBIADO]:Fastback (Compact SUV-J Segment)			
3.0		Gasolina	FWD	2972	122	166	09.90-12.96	*
3.0 4WS		Gasolina	FWD	2995	121	165	09.90-	*
3.0 4WS		Gasolina	FWD	2995	165	224	09.90-	*
3.0 4WS		Gasolina	FWD	2995	223	304	09.90-	*
MITSUBISHI								
3000 GT (Z1_A) 06.89-08.00					Coupé (Grand Tourer-S Segment)			
3.0		Gasolina	FWD	2972	162	220	09.95-08.99	*
3.0		Gasolina	FWD	2972	164	223	04.90-12.99	*
3.0 (6G72 (DOHC 24V))		Gasolina	FWD	2972	165	224	12.90-05.93	*
3.0 (Z15A) (6G72 (DOHC 24V))		Gasolina	FWD	2972	166	226	09.90-12.99	*
3.0 Turbo 4WD (Z16A) (6G72 (DOHC 24V))		Gasolina	4WD	2972	210	286	01.90-08.99	*
3.0		Gasolina	FWD	2972	239	325	09.93-08.99	*
DEBONAIR III (S2_A) 09.92-10.97					Sedán (Luxury car-F Segment)			
3.0 (S22A)		Gasolina	FWD	2972	125	170	09.92-10.97	*
3.5 (S27A)		Gasolina	FWD	3497	191	260	09.92-10.97	*
DELICA / SPACE GEAR 01.94-01.07					Bus (Minibus-M2-Segment)			
PD51		Gasolina	FWD				01.94-	*
2.4 A las 4 ruedas (PD4W) (4G64 (16V))		Gasolina	4WD	2351	97	132	05.95-05.00	*
2.5 (4D56-TD)		Diesel	RWD	2477	73	99	05.95-05.00	*
2.5 (PD5W) (4D56-TD)		Diesel	4WD	2477	73	99	05.95-05.00	*
2.8 D 4WD (PD8W, PE8W) (4M40-T)		Diesel	4WD	2835	103	140	01.94-12.06	*
DIAMANTE (F_W) 06.92-03.99					[CAMBIADO]:Break (Luxury car-F Segment)			
3.0 (F36W) (6G72 (SOHC 24V))		Gasolina	FWD	2972	140	190	10.97-12.01	*
3.5		Gasolina	FWD	3497	157	214	06.92-03.98	*
3.5		Gasolina	FWD	3497	157	214	06.92-03.98	*
3.5 (KE8H, KF8H)		Gasolina	FWD	3497	163	222	04.96-03.99	*
DIAMANTE (F2_A, F1_A) 02.90-07.96					Sedán (Luxury car-F Segment)			
2.5 (F13A, F15A)		Gasolina	FWD	2497	129	175	05.90-07.96	*
3.0 (F17A) (6G72 (DOHC 24V))		Gasolina	FWD	2972	151	205	10.92-07.96	*
3.0		Gasolina	FWD	2972	177	241	10.95-07.96	*
3.5		Gasolina	FWD	3497	157	214	10.95-07.96	*
DIAMANTE II (F4_A, F3_A) 11.94-11.05					Sedán (Luxury car-F Segment)			
2.5 (F31A) (6G73)		Gasolina	FWD	2497	147	200	09.99-08.04	*
2.5 (F34A)		Gasolina	FWD	2498	125	170	09.03-11.05	*
2.5 (F34A) (6A13)		Gasolina	FWD	2498	151	205	09.03-11.05	*
3.0 (F36A)		Gasolina	FWD	2972	140	190	06.99-09.02	*
3.0 (F36A)		Gasolina	FWD	2972	177	241	10.01-08.04	*
3.0 4WD (F46A)		Gasolina	4WD	2972	177	241	10.01-08.04	*
3.5		Gasolina	FWD	3497	157	214	10.02-11.05	*
3.5 (KJ9H, KL9H, KW9H)		Gasolina	FWD	3497	157	214	10.02-11.05	*
3.5		Gasolina	FWD	3497	163	222	06.99-09.02	*
3.5		Gasolina	FWD	3497	163	222	06.99-09.02	*
ECLIPSE I (D2_A) 12.89-12.95					Coupé (Executive car-E Segment)			
2.0 i 16V 4WD (D22A, D27A) (4G63 (DOHC 16V))		Gasolina	4WD	1997	110	150	04.91-11.95	*

LISTA DE APLICACIONES - BUYERS GUIDE

ECLIPSE II (D3_A) 04.94-04.99						Coupé (Executive car-E Segment)			
2.0 Turbo 4WD (D33A) (4G63-T (DOHC 16V))		Gasolina	4WD	1997	157	214	12.95-04.99	*	
FTO (DE_A) 09.94-07.01						Coupé (Sports car-S Segment)			
2.0 2D		Gasolina	FWD	1995			09.94-	*	
2.0 (DE3A) (6A12 (MIVEC))		Gasolina	FWD	1999	147	200	09.94-07.01	*	
GALANT VI (E3_A) 11.87-03.93						Sedán (Compact car-C Segment)			
2.0 (E39A, E38A, E33A) (4G63 (SOHC 8V))		Gasolina	FWD	1997	80	109	11.87-10.92	*	
2.0 4WD (E39A, E38A, E33A) (4G63 (SOHC 8V))		Gasolina	4WD	1997	80	109	12.88-10.92	*	
2.0 GTi 16V (E39A, E38A, E33A) (4G63 (DOHC 16V))		Gasolina	FWD	1997	106	144	11.87-10.92	*	
2.0 GTi 16V 4WD (E39A, E38A, E33A) (4G63 (DOHC 16V))		Gasolina	4WD	1997	106	144	06.88-10.92	*	
2.0 GTi 16V (E39A, E38A, E33A) (4G63 (DOHC 16V))		Gasolina	FWD	1997	107	145	11.88-10.92	*	
2.0 GTi 16V Cat 4WD (E38A, E39A, E33A) (4G63 (DOHC 16V))		Gasolina	4WD	1997	110	150	09.91-10.92	*	
2.0 I VR4 Turbo		Gasolina	FWD	1997	148	201	10.90-03.93	*	
GALANT VI / ETERNA (E3_A) 11.88-12.92						[CAMBIADO]:Fastback (Compact car-C Segment)			
2.0 (E39A, E38A, E33A) (4G63 (SOHC 8V))		Gasolina	FWD	1997	80	109	04.89-10.92	*	
2.0 4WD (E33A, E38A, E39A) (4G63 (SOHC 8V))		Gasolina	4WD	1997	80	109	04.89-10.92	*	
2.0 GTi 16V (E39A, E38A, E33A) (4G63 (DOHC 16V))		Gasolina	FWD	1997	106	144	11.88-10.92	*	
2.0 GTi 16V 4x4 (E38A, E39A, E33A) (4G63 (DOHC 16V))		Gasolina	4WD	1997	106	144	07.89-12.92	*	
2.0 GTi 16V (E39A, E38A, E33A) (4G63 (DOHC 16V))		Gasolina	FWD	1997	107	146	11.88-10.92	*	
GALANT VII (E5_A, E7_A, E8_A) 11.92-10.96						[CAMBIADO]:Fastback (Compact car-C Segment)			
2.5 (E88A) (6G73)		Gasolina	FWD	2497	125	170	11.92-09.96	*	
2.5 V6-24 4WD (E88A) (6G73)		Gasolina	4WD	2497	125	170	11.92-08.96	*	
GALANT VII (E5_A, E7_A, E8_A) 06.92-12.98						Sedán (Compact car-C Segment)			
2.5 V6-24 4WD (E88A) (6G73)		Gasolina	4WD	2497	125	170	11.92-08.96	*	
GALANT VIII / ASPIRE (EA_) 09.96-10.04						Sedán (Executive car-E Segment)			
2.0 (EA2A) (4G63 (SOHC 16V))		Gasolina	FWD	1997	100	136	09.96-09.00	*	
2.4 GDI (EA3A) (4G64 (GDI))		Gasolina	FWD	2351	110	150	02.99-09.00	*	
2.5 V6 24V (EA5A) (6A13)		Gasolina	FWD	2498	120	163	09.96-09.00	*	
2.5 Type S (EC5A) (6A13)		Gasolina	FWD	2498	151	205	10.99-10.04	*	
2.5 V6 24V (EC5A) (6A13TT)		Gasolina	4WD	2498	206	280	09.96-10.02	*	
2.0 TDI (EA6A) (4D68 T)		Diesel	FWD	1998	66	90	09.96-10.04	*	
GALANT VIII / LEGNUM (EA_, EC_) 09.96-10.03						[CAMBIADO]:Break (Executive car-E Segment)			
2.0 (EA2W) (4G63 (SOHC 16V))		Gasolina	FWD	1997	98	133	09.00-10.03	*	
2.0 (EA2W) (4G63 (SOHC 16V))		Gasolina	FWD	1997	100	136	09.96-09.00	*	
2.4 GDI (EA3W) (4G64 (GDI))		Gasolina	FWD	2351	106	144	09.00-10.03	*	
2.4 GDI (EA3W) (4G64 (GDI))		Gasolina	FWD	2351	110	150	02.99-10.03	*	
2.5 V6 24V (EA5W) (6A13)		Gasolina	FWD	2498	118	160	09.00-10.03	*	
2.5 V6 24V (EA5W) (6A13)		Gasolina	FWD	2498	120	163	09.96-09.00	*	
2.5 V6 24V (EC5W) (6A13TT)		Gasolina	4WD	2498	206	280	09.96-12.02	*	
2.0 TDI (EA6W) (4D68 T)		Diesel	FWD	1998	66	90	09.96-10.03	*	
GALLOPER (JK-01) 09.98-12.03						Closed SUV (Compact SUV-J Segment)			
2.5 TD (D4BF)		Diesel	4WD	2476	65	88	09.98-12.03	*	
2.5 TD intercooler (D4BH)		Diesel	4WD	2476	73	99	09.98-12.03	*	

LISTA DE APLICACIONES - BUYERS GUIDE

GRANDIS / SPACE WAGON (N9_, N8_) 11.97-05.03					MPV (Large MPV-M1 Segment)			
2.4 GDi GLX (N84W)		Gasolina	FWD	2351	108	147	08.00-05.03	*
2.4 GDi GLX 4WD (N94W)		Gasolina	4WD	2351	108	147	08.00-05.03	*
2.4 GDi GLX (N84W)		Gasolina	FWD	2351	110	150	11.97-07.00	*
2.4 GDi GLX 4WD (N94W)		Gasolina	4WD	2351	110	150	11.97-07.00	*
L200 II / COLT-RODEO / MIGHTY MAX / TRITON (K3_T, K2_T, K1_T, K0_T) 01.83-06.99					Pick-up (Pick-Up Truck)			
2.4 4WD (4G64 (8V))		Gasolina	4WD	2351	91	124	11.86-05.92	*
2.6 4WD (K33T) (G54B)		Gasolina	4WD	2555	76	103	11.89-05.95	*
2.6 4WD (K33T)		Gasolina	4WD	2555	107	145	06.92-08.96	*
3.0 (6G72 (SOHC 12V))		Gasolina	RWD	2972	109	148	06.92-08.96	*
3.0 4WD		Gasolina	4WD	2972	130	177	12.94-02.99	*
2.5 D (K14T) (4D56 (8V))		Diesel	RWD	2476	51	70	11.86-10.96	*
2.5 D 4WD (K24T) (4D56 (8V))		Diesel	4WD	2476	51	70	12.87-05.93	*
2.5 D 4WD (K24T)		Diesel	4WD	2477	54	73	10.94-05.96	*
2.5 D (K14T)		Diesel	RWD	2477	55	75	10.86-10.96	*
2.5 TD (K14T)		Diesel	RWD	2477	62	84	09.90-10.96	*
2.5 TD 4WD (K34T) (4D56-T)		Diesel	4WD	2477	64	87	11.92-08.96	*
2.8 D		Diesel	RWD	2835	99	135	06.92-08.96	*
L200 III / COLT-RODEO / STRADA / TRITON (K6_T, K7_T) 01.96-12.06					Caja/Chasis (LCVs-N1 Segment)			
2.4 i (K65T)		Gasolina	RWD	2351	97	132	10.96-12.06	*
3.0 (K66T)		Gasolina	RWD	2972	133	181	08.00-12.06	*
3.0 4WD (K76T)		Gasolina	4WD	2972	133	181	10.96-12.06	*
2.8 D (K67T)		Diesel	RWD	2835	71	97	10.96-09.00	*
2.8 D 4WD (K77T)		Diesel	4WD	2835	71	97	10.96-03.03	*
2.8 TD 4WD (K77T)		Diesel	4WD	2835	92	125	04.03-12.06	*
L200 III / COLT-RODEO / STRADA / TRITON (K7_T, K6_T, K5_T) 01.96-12.11					Pick-up (Pick-Up Truck)			
2.4 4WD (K75T) (4G64 (16V))		Gasolina	4WD	2351	97	132	06.96-12.07	*
2.4 i		Gasolina	RWD	2351	97	132	10.96-12.06	*
3.0 4WD (K76T) (6G72 (SOHC 24V))		Gasolina	4WD	2972	108	147	08.01-11.05	*
3.0 i (K66T) (6G72 (SOHC 24V))		Gasolina	RWD	2972	133	181	06.96-08.06	*
3.0 i 4WD (K76T) (6G72 (SOHC 24V))		Gasolina	4WD	2972	133	181	06.96-08.06	*
2.5 TD		Diesel	RWD	2477	73	99	07.97-01.01	*
2.5 TD 4WD (K74T) (4D56-TD)		Diesel	4WD	2477	73	99	06.96-12.07	*
2.5 TDiC (4D56-T)		Diesel	4WD	2477	74	101	08.01-09.05	*
2.5 TD 4WD (K74T) (4D56-T)		Diesel	4WD	2477	85	115	09.01-12.07	*
2.5 TD 4WD (K74T) (4D56-T)		Diesel	4WD	2477	98	133	08.01-12.07	*
2.8 D 4WD (K77T)		Diesel	4WD	2835	103	140	09.96-07.03	*
L400 (PD_W, PC_W, PB_V, PA_W, PA_V) 12.94-04.07					[CAMBIADO]:Furgón (LCVs-N1 Segment)			
1.6		Gasolina	FWD	1597	51	69	06.96-10.02	*
2.0 (PA3W) (4G63 (SOHC 16V))		Gasolina	RWD	1997	83	113	12.94-10.02	*
2.0 (4G63 (SOHC 16V))		Gasolina	RWD	1997	85	116	06.96-03.01	*
2.4 (PA4W) (4G64 (16V))		Gasolina	RWD	2351	97	132	06.96-02.06	*
2500 TD (PD5W, PD5V, PA5W, PA5V) (4D56-T)		Diesel	RWD	2477	64	87	09.96-06.05	*
2500 TD 4WD (PD5W, PD5V, PA5W, PA5V) (4D56-T)		Diesel	4WD	2477	64	87	09.96-06.05	*
L400 / SPACE GEAR (PD_W, PC_W, PA_V, PB_V, PA_W) 06.94-04.07					Bus (Minibus-M2-Segment)			
2.0 (PA3W) (4G63 (SOHC 16V))		Gasolina	RWD	1997	83	113	09.95-10.02	*
2.0 16V (PA3V/W, PB3V, PA3W) (4G63 (SOHC 16V))		Gasolina	RWD	1997	85	115	05.95-05.00	*
2.4 (PA4W) (4G64 (16V))		Gasolina	RWD	2351	94	128	09.96-06.05	*

LISTA DE APLICACIONES - BUYERS GUIDE

2.4 4WD (PD4W) (4G64 (16V))		Gasolina	4WD	2351	94	128	09.96-06.05	*	
2.4 (PA4W) (4G64 (16V))		Gasolina	RWD	2351	97	132	05.95-10.02	*	
2.4 i 4WD (PD4V/W) (4G64 (16V))		Gasolina	4WD	2351	97	132	05.95-05.00	*	
2500 TD (PA5W) (4D56-T)		Diesel	RWD	2477	64	87	05.95-06.05	*	
2.5 TD (PA5V/W, PB5V) (4D56-TD)		Diesel	RWD	2477	73	99	05.95-05.00	*	
2.5 TD 4WD (PD5V/W) (4D56-TD)		Diesel	4WD	2477	73	99	05.95-05.00	*	
LANCER III / LIBERO (CB_A, CD_A, CE_A) 07.91-12.96					Sedán (Supermini car-B Segment)				
EVO I (CD9A) (4G63 TURBO)		Gasolina	4WD	1997	184	250	10.92-12.93	*	
EVO II (CE9A) (4G63 TURBO)		Gasolina	4WD	1997	192	261	01.94-07.95	*	
EVO III (CE9A) (4G63 TURBO)		Gasolina	4WD	1997	198	269	08.95-07.96	*	
LANCER III-IV (CJ_, CP_, CK_) 09.95-12.03					Sedán (Compact car-C Segment)				
1.8 16V (4G93T)		Gasolina	FWD	1834	151	205	09.95-08.03	*	
EVO VI (CP9A) (4G63 TURBO)		Gasolina	4WD	1997	206	280	01.99-02.01	*	
LANCER III-IV / LIBERO Station Wagon (CB_W, CD_W) 09.92-10.03					[CAMBIADO]:Break (Compact car-C Segment)				
1.3 16V		Gasolina	FWD	1298	55	75	09.97-10.99	*	
LANCER IV / CEDIA (CS_A, CT_A) 01.00-12.13					Sedán (Compact car-C Segment)				
EVO VIII - 260 (CT9A) (4G63 TURBO)		Gasolina	4WD	1997	195	265	03.04-07.05	*	
2.0 i (4B11)		Gasolina	FWD	1998	113	154	10.07-12.13	*	
LANCER V EX / GALANT FORTIS / LANCER SERIE R / LANCER FORTIS (CY_A, CZ_A) 03.07-					Sedán (Compact car-C Segment)				
2.0 (4B11)		Gasolina	FWD	1998	108	147	01.09-	*	
2.0 i (CY4A) (4B11)		Gasolina	FWD	1998	113	154	04.07-	*	
2.0 i 4WD (CZ4A) (4B11)		Gasolina	4WD	1998	113	154	03.07-	*	
2.0 i Ralliart 4WD (CY4A) (4B11-T/C)		Gasolina	4WD	1998	177	241	10.08-	*	
2.0 EVO X		Gasolina	4WD	1998	296	402	06.09-	*	
LANCER V EX Sportback / GALANT FORTIS Sportback (CX_A) 10.07-					[CAMBIADO]:Fastback (Compact car-C Segment)				
2.0 i		Gasolina	FWD	1998	113	154	10.07-	*	
2.0 Ralliart 4WD (CX4A) (4B11-T/C)		Gasolina	4WD	1998	177	241	10.08-	*	
2.0 Ralliart		Gasolina	FWD	1998	184	250	08.11-	*	
MAGNA II (TR) 03.91-02.94					[CAMBIADO]:Break (Executive car-E Segment)				
3.0 i		Gasolina	FWD	2972	120	163	03.91-02.94	*	
MAGNA II (TS) 02.94-04.96					Sedán (Executive car-E Segment)				
2.5		Gasolina	FWD	2497	129	175	02.94-04.94	*	
MAGNA III (TE) 04.96-06.97					[CAMBIADO]:Break (Executive car-E Segment)				
2.4		Gasolina	FWD	2351	105	143	04.96-06.97	*	
3.0 i (6G72 (SOHC 24V))		Gasolina	FWD	2972	140	190	04.96-06.97	*	
3.5		Gasolina	FWD	3497	143	194	06.03-07.05	*	
3.5		Gasolina	FWD	3497	147	200	03.99-08.00	*	
3.5 i		Gasolina	FWD	3497	155	211	08.00-05.03	*	
3.5 i 4WD		Gasolina	4WD	3497	155	211	08.00-05.03	*	
3.5 i Sports VR-X		Gasolina	FWD	3497	163	222	08.00-05.03	*	
MAGNA III (TE) 04.96-06.97					Sedán (Executive car-E Segment)				
3.0 i		Gasolina	FWD	2972	140	190	04.96-06.97	*	
3.0		Gasolina	FWD	2972	150	204	08.00-05.03	*	
3.5 i		Gasolina	FWD	3497	147	200	03.99-08.00	*	
3.5 i		Gasolina	FWD	3497	154	209	08.00-05.03	*	
3.5 i		Gasolina	FWD	3497	155	211	08.00-05.03	*	
3.5 i		Gasolina	FWD	3497	159	216	06.03-07.05	*	

LISTA DE APLICACIONES - BUYERS GUIDE

3.5 Series II Sports VR-X		Gasolina	FWD	3497	163	222	08.02-05.03	*
3.5 i Series II Raliant		Gasolina	FWD	3497	180	245	08.02-05.03	*
NIMBUS 01.84-				Bus (Minibus-M2-Segment)				
2.4 UG		Gasolina	FWD	2395			01.84-	*
OUTLANDER II (CW_W) 12.06-11.12				[CAMBIADO]:Furgón (Compact SUV-J Segment)				
2.0 DI-D		Diesel	RWD	1968	103	140	12.06-11.12	*
2.2 DI-D		Diesel	RWD	2268	130	177	09.10-11.12	*
OUTLANDER II (CW_W) 11.06-12.12				Furgoneta/SUV (Compact SUV-J Segment)				
Di-D 4WD (CW8W)		Diesel	4WD	1968	103	140	12.06-06.10	*
Di-D 4WD (CW1W)		Diesel	4WD	2268	130	177	09.10-12.12	*
OUTLANDER II (CW_W) 09.05-12.12				SUV (Compact SUV-J Segment)				
2.0 (CW4W) (4B11)		Gasolina	FWD	1998	108	147	11.06-11.12	*
2.0 4WD (4B11)		Gasolina	4WD	1998	108	147	11.06-11.12	*
2.0		Gasolina	FWD	1998	118	160	06.09-11.12	*
2.4 (CW5W) (4B12)		Gasolina	FWD	2360	125	170	11.06-11.12	*
2.4 4WD (CW5W) (4B12)		Gasolina	4WD	2360	125	170	09.07-11.12	*
3.0		Gasolina	FWD	2998	162	220	11.06-11.12	*
3.0 4WD (CW6W) (6B31)		Gasolina	4WD	2998	162	220	11.06-11.12	*
3.0		Gasolina	FWD	2998	164	223	11.06-12.09	*
3.0 AWD (6B31)		Gasolina	4WD	2998	164	223	11.06-12.13	*
3.0 4WD (CW6W) (6B31)		Gasolina	4WD	2998	169	230	09.10-12.12	*
3.0		Gasolina	FWD	2998	172	234	09.09-12.12	*
3.0 AWD		Gasolina	4WD	2998	172	234	09.09-11.12	*
3.0		Gasolina	FWD	2998	177	241	10.09-11.12	*
2.4 Flex 4WD (4B12)		Gasol./Etanol	4WD	2360	125	170	09.07-11.12	*
2.0 DI-D (CW8W) (BSY)		Diesel	4WD	1968	103	140	02.07-11.12	*
2.2 DI-D 4WD (4HK)		Diesel	4WD	2179	115	156	08.07-11.12	*
2.2 DI-D 4WD (4HN)		Diesel	4WD	2179	115	156	08.07-11.12	*
2.2 DI-D 4WD (4N14)		Diesel	4WD	2268	103	140	09.10-11.12	*
2.2 DI-D (4N14)		Diesel	FWD	2268	130	177	11.06-11.12	*
2.2 DI-D 4WD (4N14)		Diesel	4WD	2268	130	177	11.06-11.12	*
OUTLANDER / AIRTREK (CU_W) 03.01-07.08				SUV (Compact SUV-J Segment)				
2.0 4WD (CU2W)		Gasolina	4WD	1997	93	126	05.03-10.06	*
2.0 (CU2W) (4G63 (DOHC 16V))		Gasolina	FWD	1997	100	136	05.03-10.06	*
2.0 4WD (CU2W) (4G63 (DOHC 16V))		Gasolina	4WD	1997	100	136	05.03-10.06	*
2.0 Turbo 4WD (CU2W) (4G63-T (DOHC 16V))		Gasolina	4WD	1997	148	201	04.04-10.06	*
2.0 Turbo-R 4WD (CU2W) (4G63 TURBO)		Gasolina	4WD	1997	177	241	01.02-10.06	*
2.4 4WD (CU4W) (4G64 (16V))		Gasolina	4WD	2351	102	139	05.03-10.06	*
2.4 GDI		Gasolina	FWD	2351	121	165	08.03-10.04	*
2.4 GDI		Gasolina	FWD	2351	121	165	01.05-12.06	*
2.4 4WD (CU5W) (4G69)		Gasolina	4WD	2378	118	160	11.03-09.07	*
2.4 HDD Mivec (CU5W) (4G69)		Gasolina	FWD	2378	118	160	03.01-12.06	*
2.4 4WD (CU5W) (4G69)		Gasolina	4WD	2378	119	162	05.03-09.07	*
2.4		Gasolina	FWD	2378	121	165	10.05-12.06	*
OUTLANDER III / PHEV III (GF_W, GG_W) 04.13-				[CAMBIADO]:Furgón (Compact SUV-J Segment)				
2.2 DI-D		Diesel	RWD	2268	110	150	04.13-	*
OUTLANDER III / PHEV III (GF_W, GG_W) 11.10-				Furgoneta/SUV (Compact SUV-J Segment)				
Di-D 4WD (GF6W)		Diesel	4WD	2268	110	150	04.13-	*

LISTA DE APLICACIONES - BUYERS GUIDE

OUTLANDER III / PHEV III (GG_W, GF_W, ZJ, ZL, ZK) 11.10-					SUV (Compact SUV-J Segment)			
2.0 (4B11)		Gasolina	FWD	1998	105	143	10.12-12.22	*
2.0		Gasolina	FWD	1998	106	144	10.12-	*
2.0 (GF2W) (4B11)		Gasolina	FWD	1998	107	146	10.12-12.22	*
2.0 4WD (GF7W, GF2W) (4B11)		Gasolina	4WD	1998	107	146	10.12-12.22	*
2.0 (GF7W) (4J11)		Gasolina	FWD	1998	110	150	08.12-12.22	*
2.0 4WD (GF7W) (4J11)		Gasolina	4WD	1998	110	150	08.12-12.22	*
2.0 (GF7W) (4J11)		Gasolina	FWD	1998	112	152	04.13-12.22	*
2.0 (GF7W)		Gasolina	FWD	1998	118	160	03.13-12.18	*
2.4 4WD (4B12)		Gasolina	4WD	2360	123	167	10.12-12.22	*
2.4 4WD (GF8W) (4B12)		Gasolina	4WD	2360	124	169	10.12-12.22	*
2.4 4WD (GF8W) (4J12)		Gasolina	4WD	2360	124	169	10.12-12.22	*
3.0 4WD (6B31)		Gasolina	4WD	2998	169	230	03.14-12.22	*
2.0 BiFuel		Gasol./Gas (LPG)	FWD	1998	107	146	10.12-12.22	*
2.0 Bifuel 4WD		Gasol./Gas (LPG)	4WD	1998	107	146	10.12-12.22	*
2.0 Hybrid 4WD (GG2W) (4B11)		Gasol./el éc.	4WD	1998	89	121	12.12-	*
2.0 Hybrid 4WD (GG2W) (S61)		Gasol./el éc.	4WD	1998	89	121	12.12-	*
2.0 Hybrid 4WD (GG2W) (Y61)		Gasol./el éc.	4WD	1998	89	121	12.12-	*
2.0 Hybrid 4WD (GG2W) (4B11)		Gasol./el éc.	4WD	1998	139	189	12.12-	*
2.0 Hybrid 4WD (GG2W) (S61)		Gasol./el éc.	4WD	1998	139	189	12.12-	*
2.0 Hybrid 4WD (GG2W) (Y61)		Gasol./el éc.	4WD	1998	139	189	12.12-	*
2.0 Hybrid 4WD (GG2W) (4B11)		Gasol./el éc.	4WD	1998	147	200	01.14-12.21	*
2.0 Hybrid 4WD (GG2W) (S61)		Gasol./el éc.	4WD	1998	147	200	01.14-12.21	*
2.0 Hybrid 4WD (GG2W) (Y61)		Gasol./el éc.	4WD	1998	147	200	01.14-12.21	*
Plug-in Hybrid (GG2W)		Gasol./el éc.	4WD	1998	147	200	09.17-12.21	*
2.4 Hybrid 4WD (GG3W) (4B12)		Gasol./el éc.	4WD	2360	153	208	09.18-12.22	*
2.2 DI-D (GF6W) (4N14)		Diesel	FWD	2268	110	150	08.12-12.22	*
2.2 DI-D 4WD (GF6W) (4N14)		Diesel	4WD	2268	110	150	08.12-12.22	*
2.2 DI-D 4WD (4N14)		Diesel	4WD	2268	121	165	06.15-12.18	*
2.2 DiD 4WD (4N14)		Diesel	4WD	2268	132	179	05.15-12.22	*
PAJERO II / MONTERO / PAJERO SFX / SHOGUN (V3_W, V2_W, V4_W, V5_W) 12.90-05.01					Closed SUV (Executive SUV-J Segment)			
1.8 GDi 4WD		Gasolina	4WD	1834	96	131	11.97-08.99	*
2.4 (V21W) (4G64 (12V))		Gasolina	4WD	2351	82	112	04.91-10.99	*
2.6 4WD (4G54)		Gasolina	4WD	2555	76	103	03.91-10.97	*
2.6 4WD (V21W, V32W)		Gasolina	4WD	2555	79	107	05.91-10.93	*
3.0 V6 4WD (V23W, V43W) (6G72 (SOHC 12V))		Gasolina	4WD	2972	110	150	12.90-12.97	*
3.0 4WD (6G72 (SOHC 24V))		Gasolina	4WD	2972	130	177	11.97-04.00	*
3.0 V6 24V (V43W, V23W) (6G72 (SOHC 24V))		Gasolina	4WD	2972	130	177	06.97-10.99	*
3.0 V6 24V (V43W, V23W) (6G72 (SOHC 24V))		Gasolina	4WD	2972	133	181	06.94-05.97	*
3.5 V6 24V (V45W, V25W) (6G74 (DOHC 24V))		Gasolina	4WD	3497	143	194	07.97-10.99	*
3.5 V6 24V (V45W, V25W) (6G74 (SOHC 24V))		Gasolina	4WD	3497	143	194	07.97-10.99	*
3.5 V6 24V (V25W, V45W) (6G74 (DOHC 24V))		Gasolina	4WD	3497	153	208	06.94-10.99	*
2.5 TD 4WD (V24W) (4D56-TD)		Diesel	4WD	2477	73	99	12.90-10.99	*
2.5 TDiC (V44W, V24W) (4D56-T)		Diesel	4WD	2477	73	99	03.91-08.99	*
2.8 TDiC 4WD (V46W, V26W, V36W)		Diesel	4WD	2835	71	97	11.93-07.97	*

LISTA DE APLICACIONES - BUYERS GUIDE

2.8 TD (V46W, V26W) (4M40-T)		Diesel	4WD	2835	92	125	06.94-10.99	*
2.8 D (V46W, V26W) (4M40-T)		Diesel	4WD	2835	103	140	11.93-10.99	*
PAJERO II / MONTERO / SHOGUN (V2_C, V4_C) 12.90-04.00					Open SUV (Executive SUV-J Segment)			
1.8 GDI		Gasolina	4WD	1834	96	131	06.98-04.00	*
2.4 (V21C) (4G64 (12V))		Gasolina	4WD	2351	82	112	04.91-04.00	*
3.0 V6 (V23C) (6G72 (SOHC 12V))		Gasolina	4WD	2972	110	150	12.90-12.95	*
3.0 V6 24V (V23C) (6G72 (SOHC 24V))		Gasolina	4WD	2972	130	177	06.94-04.00	*
3.0 V6 24V (V23C) (6G72 (SOHC 24V))		Gasolina	4WD	2972	133	181	06.94-04.00	*
2.5 TD 4WD (V24C) (4D56-TD)		Diesel	4WD	2477	73	99	12.90-04.00	*
2.5 TDiC (V24W, V24C)		Diesel	4WD	2477	73	99	03.91-08.99	*
PAJERO II CLASSIC / MONTERO CLASSIC / SHOGUN CLASSIC (V2_W, V6_W, V7_W) 07.01-					Closed SUV (Luxury Crossover SUV-J Segment)			
2.5 TD (V24W) (4D56-T)		Diesel	4WD	2477	85	115	07.01-	*
2.8 TD		Diesel	RWD	2835	80	109	06.02-	*
2.8 TD		Diesel	RWD	2835	87	118	06.02-	*
PAJERO SPORT / G-WAGON / MONTERO SPORT / CHALLENGER (K7_, K9_) 07.96-					Closed SUV (Executive SUV-J Segment)			
1.8 4WD (K90W) (4G93 (SOHC 16V))		Gasolina	4WD	1834	84	114	03.01-02.05	*
1.8 GDI		Gasolina	FWD	1834	88	120	05.99-02.01	*
2.0 GDI		Gasolina	FWD	1999	95	129	10.01-02.05	*
3.0 V6 4WD (K96W) (6G72 (SOHC 24V))		Gasolina	4WD	2972	123	167	03.03-	*
3.0 V6 (K96W) (6G72 (DOHC 24V))		Gasolina	4WD	2972	125	170	06.00-	*
3.0 V6 (K96W) (6G72 (SOHC 24V))		Gasolina	4WD	2972	125	170	06.00-	*
3.0 V6 (K96W) (6G72 (SOHC 24V))		Gasolina	4WD	2972	130	177	11.98-10.00	*
3.0 4WD		Gasolina	FWD	2995			07.96-	*
3.5 (6G74 (SOHC 24V))		Gasolina	RWD	3497	147	200	09.98-12.04	*
2.5 TDiC (K94W) (4D56-T)		Diesel	4WD	2477	73	99	11.98-	*
2.5 TD 4WD (K94W) (4D56-T)		Diesel	4WD	2477	83	112	11.97-10.98	*
2.5 TD (K94W, K74T) (4D56-T)		Diesel	4WD	2477	85	115	07.02-	*
2.5 TD (K94W) (4D56-T)		Diesel	4WD	2477	98	133	08.03-	*
2.5 TDiC 4x4 (4D56 (8V))		Diesel	4WD	2477	100	136	01.08-12.12	*
2.5 TD		Diesel	4WD	2477	110	150	01.10-12.11	*
2.5 D 15"		Diesel	RWD	2495	73	99	07.96-	*
2.5 D 15"		Diesel	RWD	2495	82	112	07.96-	*
2.8 TDi		Diesel	RWD	2835	87	118	11.98-	*
2.8 TDi (K77T) (4M40-T)		Diesel	4WD	2835	92	125	11.98-10.03	*
3.2 TDi		Diesel	RWD	3200	121	165	11.98-	*
PAJERO SPORT / SHOGUN SPORT (K90) 12.99-01.08					[CAMBIADO]:Furgón (LCVs-N1 Segment)			
3.0 V6 (6G72 (SOHC 24V))		Gasolina	4WD	2972	125	170	12.99-01.08	*
2.5 TD (4D56-T)		Diesel	4WD	2477	85	115	12.99-01.08	*
SIGMA (F2_A, F1_A) 10.90-07.96					Sedán (Compact car-C Segment)			
3.0 V6 (F17A) (6G72 (SOHC 12V))		Gasolina	FWD	2972	130	177	12.90-07.96	*
3.0 V6 (F17A) (6G72 (DOHC 24V))		Gasolina	FWD	2972	151	205	12.90-07.96	*
SIGMA Station Wagon (F0_W) 06.92-10.96					[CAMBIADO]:Break (Compact car-C Segment)			
3.0 (F07W) (6G72 (SOHC 12V))		Gasolina	FWD	2972	125	170	06.92-10.96	*
SPACCE RUNNER / RVR II (N6_W, N7_W) 11.97-01.03					MPV (Mini MPV-M1 Segment)			
2.0 (N63W) (4G63 (SOHC 16V))		Gasolina	FWD	1997	98	133	05.00-08.02	*
2.0 (N63W) (4G63 (SOHC 16V))		Gasolina	FWD	1997	100	136	08.99-08.02	*
2.4 GDI (N64W) (4G64 (GDI))		Gasolina	FWD	2351	108	147	08.99-08.02	*
2.4 GDI (N64W) (4G64 (GDI))		Gasolina	FWD	2351	110	150	08.99-01.03	*

LISTA DE APLICACIONES - BUYERS GUIDE

SPACE WAGON III / NIMBUS (N9_W, N8_W) 07.98-12.04					MPV (Compact MPV-M1 Segment)			
2.0 (N83W) (4G63 (SOHC 16V))		Gasolina	FWD	1997	80	109	12.98-06.02	*
2.0 (4G63 (SOHC 16V))		Gasolina	FWD	1997	98	133	10.98-12.04	*
2.4 GDI (N84W) (4G64 (GDI))		Gasolina	FWD	2351	108	147	09.00-12.04	*
2.4 GDI 4WD (N94W) (4G64 (GDI))		Gasolina	4WD	2351	108	147	09.00-12.04	*
2.4 GDI (N84W) (4G64 (GDI))		Gasolina	FWD	2351	110	150	10.98-12.04	*
2.4 GDI 4WD (N94W) (4G64 (GDI))		Gasolina	4WD	2351	110	150	10.98-12.04	*
3.0 GDi		Gasolina	FWD	2972	158	215	05.00-05.03	*
2.0 GDI		Diesel	RWD	1995	79	108	07.98-	*
VERADA III (KW, KL, KJ, KH, KF, KE) 04.96-03.99					[CAMBIADO]:Break (Executive car-E Segment)			
3.5 i		Gasolina	FWD	3497	155	211	08.00-03.03	*
3.5 i Series II		Gasolina	FWD	3497	155	211	06.03-09.04	*
VERADA III (KL) 06.03-10.04					Sedán (Executive car-E Segment)			
3.5		Gasolina	FWD	3497	154	209	06.03-10.04	*
3.5		Gasolina	FWD	3497	154	209	10.04-07.05	*
3.5		Gasolina	FWD	3497	155	211	06.03-10.04	*
3.5 Series II		Gasolina	FWD	3497	155	211	10.04-07.05	*
3.5 i (6G74 (SOHC 24V))		Gasolina	FWD	3497	163	222	06.03-10.04	*
MITSUBISHI (BBDC)								
OUTLANDER (CU_W) 01.04-					[CAMBIADO]:Fastback (Compact SUV-J Segment)			
2.4		Gasolina	FWD	2378	121	162	07.06-	*
PEUGEOT								
4007 (VU_, VV_) 02.07-03.13					Furgoneta/SUV (Compact SUV-J Segment)			
HDi 155 (VU4HNN, VV4HK8)		Diesel	4WD	2179	115	156	02.07-03.13	*
4007 (VU_, VV_) 02.07-					SUV (Compact SUV-J Segment)			
2.0 (4B11)		Gasolina	FWD	1998	108	147	11.10-03.13	*
2.0 4x4 (4B11)		Gasolina	4WD	1998	108	147	11.10-03.13	*
2.0 HDi 140		Diesel	RWD	1995	98	134	02.07-	*
2.2 HDi (4HK (DW12ME5))		Diesel	4WD	2179	115	156	02.07-03.13	*
2.2 HDi (4HN (DW12MTED4))		Diesel	4WD	2179	115	156	02.07-03.13	*