

# LISTA DE APLICACIONES - BUYERS GUIDE

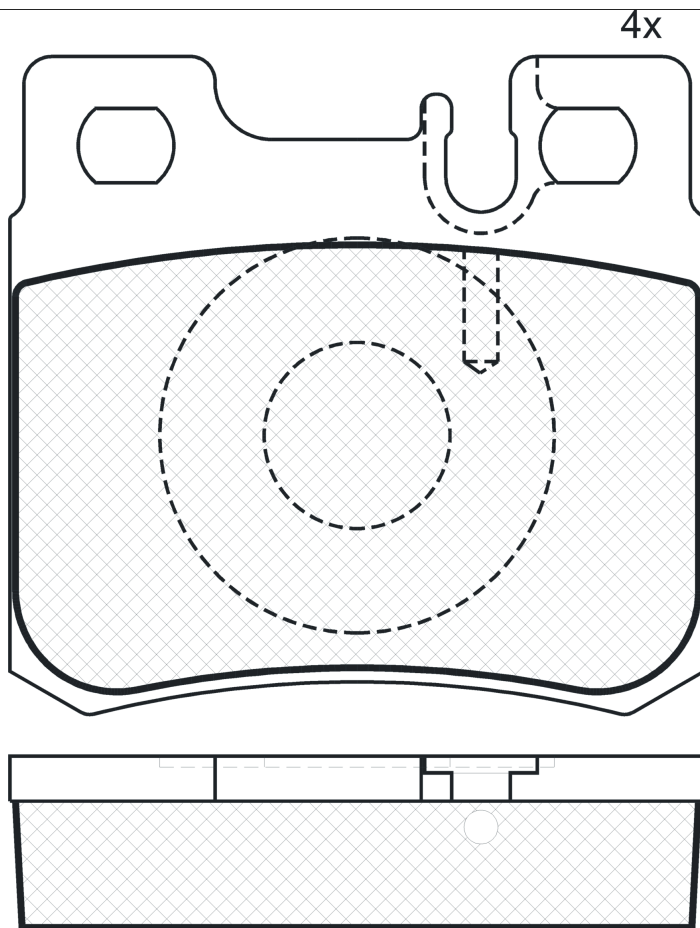
## RB0978-396



Qty: 944

Weight: 650

O.E.M.	MAKE
001 420 02 20	MERCEDES-BENZ
001 420 13 20	MERCEDES-BENZ
001 420 95 20	MERCEDES-BENZ



## RB0978-396



**E1 90R-01100/070**

Ate - Teves

61.7x58.4x15

WVA	FMSI
21197	D495-7374

Sin Filas



Trac.	CC	Kw	CV
-------	----	----	----



Front / Rear

### MERCEDES-BENZ

						<b>Cabrio (Executive car-E Segment)</b>					
<b>124 (A124) 09.91-06.93</b>											
300 CE-24 (124.061) (M 104.980)		Gasolina	RWD	2960	162	220	04.92-06.93		*		
300 CE-24 (124.061) (M 104.980)		Gasolina	RWD	2960	170	231	04.92-06.93		*		
<b>124 (C124) 03.87-07.93</b>						<b>Coupé (Executive car-E Segment)</b>					
300 CE-24 (124.051) (M 104.980)		Gasolina	RWD	2960	162	220	09.89-12.92		*		
300 CE-24 (124.051) (M 104.980)		Gasolina	RWD	2960	170	231	09.89-12.92		*		
320 CE (124.052) (M 104.992)		Gasolina	RWD	3199	162	220	10.92-05.93		*		
<b>124 (W124) 12.84-08.93</b>						<b>Sedán (Executive car-E Segment)</b>					
260 E 4-matic (124.226) (M 103.943)		Gasolina	4WD	2597	118	160	09.86-08.92		*		
260 E 4-matic (124.226) (M 103.940)		Gasolina	4WD	2597	122	166	12.86-12.89		*		
280 E (124.028) (M 104.942)		Gasolina	RWD	2799	145	197	10.92-06.93		*		
300 E-24 (124.031) (M 104.980)		Gasolina	RWD	2960	162	220	09.88-08.92		*		
300 E-24 (124.031) (M 104.980)		Gasolina	RWD	2960	170	231	09.88-08.92		*		
320 E (124.032) (M 104.992)		Gasolina	RWD	3199	162	220	10.92-06.93		*		
300 E-24 AMG (124.031)		Gasolina	RWD	3428	200	272	09.91-06.93		*		
400 E 4.2 (124.034) (M 119.975)		Gasolina	RWD	4196	205	279	10.92-06.93		*		
500 E (124.036) (M 119.974)		Gasolina	RWD	4973	240	326	01.91-06.93		*		
500 E AMG 6.0 (124.036)		Gasolina	RWD	5956	275	374	01.92-06.93		*		
250 D (124.125) (OM 602.912)		Diesel	RWD	2497	66	90	04.85-06.93		*		
250 D (124.125) (OM 602.912)		Diesel	RWD	2497	69	94	01.89-06.93		*		
<b>124 T-Model (S124) 09.85-12.93</b>						<b>[CAMBIADO]:Break (Executive car-E Segment)</b>					
200 T (124.080) (M 102.922)		Gasolina	RWD	1996	77	105	01.86-05.90		*		
200 T (124.080) (M 102.922)		Gasolina	RWD	1996	80	109	09.85-08.89		*		

# LISTA DE APLICACIONES - BUYERS GUIDE

200 TE (124.081) (M 102.963)	Gasolina	RWD	1996	87	118	09.88-08.92	*	
200 TE (124.081) (M 102.962)	Gasolina	RWD	1996	90	122	09.88-12.89	*	
200 E	Gasolina	RWD	1997	77	105	11.92-05.93	*	
200 TE (124.079) (M 111.940)	Gasolina	RWD	1998	100	136	05.86-06.93	*	
220 TE (124.082) (M 111.960)	Gasolina	RWD	2199	110	150	10.92-05.93	*	
230 TE (124.083) (M 102.982)	Gasolina	RWD	2298	97	132	09.85-08.92	*	
230 TE Cat (124.083) (M 102.982)	Gasolina	RWD	2298	97	132	06.89-08.92	*	
230 TE (124.083) (M 102.982)	Gasolina	RWD	2298	100	136	09.85-08.92	*	
260 TE FGST. (124.007) (M 103.940)	Gasolina	RWD	2597	118	160	09.89-08.92	*	
260 TE FGST. (124.007) (M 103.940)	Gasolina	RWD	2597	122	166	09.85-12.89	*	
280 TE (124.088) (M 104.942)	Gasolina	RWD	2799	145	197	10.92-06.93	*	
300 TE (124.090) (M 103.983)	Gasolina	RWD	2960	132	180	01.86-08.92	*	
300 TE 4-matic (124.290) (M 103.985)	Gasolina	4WD	2960	132	180	09.86-06.93	*	
300 TE (124.090) (M 103.983)	Gasolina	RWD	2960	138	188	01.86-12.89	*	
300 TE 4-matic (124.290) (M 103.983)	Gasolina	4WD	2960	138	188	09.86-12.89	*	
300 TE-24 (124.091) (M 104.980)	Gasolina	RWD	2960	162	220	09.89-08.92	*	
300 TE-24 (124.091) (M 104.980)	Gasolina	RWD	2960	170	231	09.89-08.92	*	
320 TE (124.092) (M 104.992)	Gasolina	RWD	3199	162	220	10.92-06.93	*	
200 T D (124.180) (OM 601.912)	Diesel	RWD	1997	53	72	09.85-08.91	*	
200 T D (124.180) (OM 601.912)	Diesel	RWD	1997	55	75	09.88-08.91	*	
250 T D (124.185) (OM 602.912)	Diesel	RWD	2497	66	90	09.85-06.93	*	
250 T D (124.185) (OM 602.912)	Diesel	RWD	2497	69	94	01.89-06.93	*	
250 T D	Diesel	RWD	2497	83	113	06.92-05.93	*	
250 TD Turbo (124.188) (OM 602.962)	Diesel	RWD	2497	93	126	03.88-07.93	*	
300 T D (124.190) (OM 603.912)	Diesel	RWD	2996	80	109	09.86-06.93	*	
300 T D (124.190) (OM 603.912)	Diesel	RWD	2996	81	110	01.89-06.93	*	
300 T D (124.190) (OM 603.912)	Diesel	RWD	2996	83	113	01.89-06.93	*	
3.0 300 TD T	Diesel	RWD	2996	100	136	06.92-05.93	*	
300 T Turbo-D (124.193) (OM 603.960)	Diesel	RWD	2996	105	143	09.86-01.89	*	
300 T Turbo-D (124.193) (OM 603.963)	Diesel	RWD	2996	105	143	09.86-01.89	*	
300 T Turbo-D 4-matic (124.393) (OM 603.963)	Diesel	4WD	2996	105	143	09.86-01.89	*	
300 T Turbo-D (124.193) (OM 603.960)	Diesel	RWD	2996	108	147	01.89-06.93	*	
300 T Turbo-D 4-matic (124.393) (OM 603.960)	Diesel	4WD	2996	108	147	01.89-06.93	*	
<b>190 (W201) 10.82-08.93</b>					<b>Sedán (Compact executive car-D Segment)</b>			
2.5 16 E 16V Evolution	Gasolina	FWD	2495	143	194	10.82-	*	
E 2.5-16 Evolution II (201.036) (M 102.992)	Gasolina	RWD	2498	173	235	05.90-08.93	*	
<b>C-Class (W202) 03.93-05.00</b>					<b>Sedán (Executive car-E Segment)</b>			
C 200 Kompressor (202.025) (M 111.944)	Gasolina	RWD	1998	132	180	10.95-05.00	*	
C 200 Kompressor (202.025) (M 111.944)	Gasolina	RWD	1998	141	192	11.96-05.00	*	
C 230 Kompressor (202.024) (M 111.975)	Gasolina	RWD	2295	142	193	10.95-05.00	*	
C 240 (202.026) (M 112.910)	Gasolina	RWD	2398	125	170	06.97-05.00	*	
C 280 (202.028) (M 104.941)	Gasolina	RWD	2799	142	193	05.93-05.00	*	
C 280 (202.029) (M 112.920)	Gasolina	RWD	2799	145	197	06.97-05.00	*	
C 36 AMG (202.028) (M 104.941 (AMG 3.6))	Gasolina	RWD	3606	206	280	05.94-05.00	*	
C 250 Turbo-D (202.128) (OM 605.960)	Diesel	RWD	2497	110	150	10.95-05.00	*	
<b>C-Class T-Model (S202) 06.96-03.01</b>					<b>[CAMBIADO]:Break (Compact executive car-D Segment)</b>			
C 180 T (202.078) (M 111.920)	Gasolina	RWD	1799	90	122	06.96-09.00	*	
C 180 T (202.078) (M 111.921)	Gasolina	RWD	1799	90	122	06.96-09.00	*	
C 180 T (202.081) (M 111.952)	Gasolina	RWD	1998	95	129	09.00-03.01	*	
C 200 T (202.080) (M 111.941)	Gasolina	RWD	1998	100	136	06.96-03.01	*	

# LISTA DE APLICACIONES - BUYERS GUIDE

C 200 T (202.080) (M 111.945)	Gasolina	RWD	1998	100	136	06.96-03.01	*
C 200 T Kompressor (202.087) (M 111.956)	Gasolina	RWD	1998	120	163	09.00-03.01	*
C 200 T Kompressor (202.087) (M 111.944)	Gasolina	RWD	1998	141	192	11.96-03.01	*
C 230 T (202.083) (M 111.974)	Gasolina	RWD	2295	110	150	06.96-06.98	*
C 230 T Kompressor (202.085) (M 111.975)	Gasolina	RWD	2295	142	193	06.97-09.00	*
C 240 T (202.086) (M 112.910)	Gasolina	RWD	2398	125	170	06.97-09.00	*
C 240 T (202.088) (M 112.915)	Gasolina	RWD	2597	125	170	09.00-03.01	*
C 280 T (202.089) (M 112.920)	Gasolina	RWD	2799	145	197	06.97-03.01	*
C 200 T D (202.180) (OM 604.915)	Diesel	RWD	1997	65	88	10.96-03.01	*
C 200 T CDI (202.194) (OM 611.960)	Diesel	RWD	2151	75	102	03.98-03.01	*
C 220 T CDI (202.193) (OM 611.960)	Diesel	RWD	2151	92	125	09.97-03.01	*
C 220 T D (202.182) (OM 604.910)	Diesel	RWD	2155	55	75	06.96-03.01	*
C 220 T D (202.182) (OM 604.910)	Diesel	RWD	2155	70	95	06.96-09.98	*
C 250 T Turbo-D (202.188) (OM 605.960)	Diesel	RWD	2497	110	150	06.96-03.01	*
<b>E-Class (A124) 05.93-03.98</b>				<b>Cabrío (Executive car-E Segment)</b>			
E 200 (124.060) (M 111.940)	Gasolina	RWD	1998	100	136	06.93-03.98	*
E 220 (124.062) (M 111.960)	Gasolina	RWD	2199	110	150	06.93-03.98	*
E 320 (124.066) (M 104.992)	Gasolina	RWD	3199	162	220	06.93-03.98	*
E 36 AMG (124.066) (M 104.992 (AMG 3.6))	Gasolina	RWD	3606	200	272	05.94-03.98	*
<b>E-Class (C124) 06.93-06.97</b>				<b>Coupé (Executive car-E Segment)</b>			
E 320 (124.052) (M 104.992)	Gasolina	RWD	3199	162	220	06.93-06.97	*
E 36 AMG (124.052)	Gasolina	RWD	3606	195	265	06.93-04.95	*
E 36 AMG (124.052) (M 104.992 (AMG 3.6))	Gasolina	RWD	3606	200	272	05.94-06.97	*
<b>E-Class (W124) 02.93-06.96</b>				<b>Sedán (Executive car-E Segment)</b>			
E 280 (124.029) (M 104.942)	Gasolina	RWD	2799	142	193	06.93-06.95	*
E 320 (124.032) (M 104.992)	Gasolina	RWD	3199	162	220	06.93-06.95	*
E 420 (124.034) (M 119.975)	Gasolina	RWD	4196	205	279	06.93-06.95	*
E 60 AMG (124.036) (M 119.974 (AMG 6.0))	Gasolina	RWD	5956	280	381	05.94-06.95	*
E 250 D (124.126, 124.129) (OM 605.911)	Diesel	RWD	2497	83	113	07.93-06.95	*
E 250 Turbo-D (124.128) (OM 602.962)	Diesel	RWD	2497	93	126	06.93-06.95	*
<b>E-Class II (W210) 06.95-08.03</b>				<b>Sedán (Executive car-E Segment)</b>			
E 200 (210.035) (M 111.942)	Gasolina	RWD	1998	100	136	06.95-08.00	*
E 200 Kompressor (210.048) (M 111.957)	Gasolina	RWD	1998	120	163	08.00-03.02	*
E 230 (210.037) (M 111.970)	Gasolina	RWD	2295	110	150	06.95-06.97	*
E 200 D (210.003) (OM 604.917)	Diesel	RWD	1997	65	88	01.96-03.02	*
E 200 CDI (210.007) (OM 611.961)	Diesel	RWD	2148	85	116	07.99-03.02	*
E 220 CDI (210.006) (OM 611.961)	Diesel	RWD	2148	105	143	07.99-03.02	*
E 200 CDI (210.007) (OM 611.961)	Diesel	RWD	2151	75	102	06.98-03.02	*
E 220 CDI (210.006) (OM 611.961)	Diesel	RWD	2151	92	125	06.98-07.99	*
E 220 D (210.004) (OM 604.912)	Diesel	RWD	2155	55	75	05.96-03.02	*
E 220 D (210.004) (OM 604.912)	Diesel	RWD	2155	70	95	06.95-07.99	*
E 250 D (210.010) (OM 605.912)	Diesel	RWD	2497	83	113	06.95-07.99	*
E 250 Turbo-D (210.015) (OM 605.962)	Diesel	RWD	2497	110	150	06.97-07.99	*
E 290 Turbo-D (210.017) (OM 602.982)	Diesel	RWD	2874	95	129	03.96-07.99	*
E 300 D (210.020) (OM 606.912)	Diesel	RWD	2996	100	136	06.95-06.97	*
E 300 Turbo-D (210.025) (OM 606.962)	Diesel	RWD	2996	130	177	12.96-07.99	*
<b>E-Class T-Model (S124) 06.93-06.96</b>				<b>[CAMBIADO]:Break (Executive car-E Segment)</b>			
E 200 T (124.079) (M 111.940)	Gasolina	RWD	1998	100	136	06.93-06.96	*
E 220 T (124.082) (M 111.960)	Gasolina	RWD	2199	110	150	06.93-06.96	*

## LISTA DE APLICACIONES - BUYERS GUIDE

E 280 T (124.088) (M 104.942)	Gasolina	RWD	2799	142	193	06.93-06.96	*
E 280 T (124.088) (M 104.942)	Gasolina	RWD	2799	145	197	06.93-06.96	*
E 300 T 4-matic (124.290) (M 103.985)	Gasolina	4WD	2960	132	180	06.93-06.96	*
E 300 TE-24 AMG (124.091)	Gasolina	RWD	2960	162	220	06.93-06.96	*
E 320 T (124.092) (M 104.992)	Gasolina	RWD	3199	162	220	06.93-06.96	*
E 36 T AMG (124.092) (M 104.992 (AMG 3.6))	Gasolina	RWD	3606	200	272	05.94-06.96	*
E 250 TD (124.186) (OM 605.911)	Diesel	RWD	2497	83	113	06.93-06.96	*
E 250 Turbo D (124.188) (OM 602.962)	Diesel	RWD	2497	93	126	06.93-06.96	*
E 300 TD (124.191) (OM 606.910)	Diesel	RWD	2996	100	136	06.93-06.96	*
E 300 T Turbo-D (124.193) (OM 603.960)	Diesel	RWD	2996	108	147	06.93-06.96	*
E 300 T Turbo-D 4-matic (124.393) (OM 603.963)	Diesel	4WD	2996	108	147	06.93-06.96	*
<b>SL-Class IV (R129) 03.89-09.04</b>							<b>Cabrio (Grand Tourer-S Segment)</b>
280 (129.058) (M 104.943)	Gasolina	RWD	2799	142	193	08.93-10.01	*
280 (129.059) (M 112.923)	Gasolina	RWD	2799	150	204	05.98-10.01	*
300 SL (129.060) (M 103.984)	Gasolina	RWD	2960	140	190	03.89-08.93	*
300 SL-24 (129.061) (M 104.981)	Gasolina	RWD	2960	170	231	03.89-07.93	*
320 (129.064) (M 112.943)	Gasolina	RWD	3199	165	224	05.98-10.01	*
320 (129.063) (M 104.991)	Gasolina	RWD	3199	170	231	09.93-10.01	*
500 (129.068) (M 113.961)	Gasolina	RWD	4966	225	306	05.98-10.01	*
500 (129.067) (M 119.972)	Gasolina	RWD	4973	235	320	09.92-10.01	*
500 (129.067) (M 119.982)	Gasolina	RWD	4973	235	320	09.92-10.01	*
500 SL (129.066) (M 119.960)	Gasolina	RWD	4973	240	326	09.89-08.92	*
500 SL (129.066) (M 119.972)	Gasolina	RWD	4973	240	326	09.89-08.92	*
600 SL (129.076) (M 120.981)	Gasolina	RWD	5987	300	408	02.92-08.94	*
600 SL (129.076) (M 120.983)	Gasolina	RWD	5987	300	408	02.92-08.94	*
<b>SLK-Class (R170) 04.96-04.04</b>							<b>Cabrio (Sports car-S Segment)</b>
200 (170.435) (M 111.946)	Gasolina	RWD	1998	100	136	09.96-03.00	*
200 Kompressor (170.445) (M 111.958)	Gasolina	RWD	1998	120	163	03.00-04.04	*
200 Kompressor (170.445) (M 111.943)	Gasolina	RWD	1998	141	192	10.96-03.00	*
230 Kompressor (170.449) (M 111.973)	Gasolina	RWD	2295	142	193	09.96-03.00	*
230 Kompressor (170.449) (M 111.983)	Gasolina	RWD	2295	145	197	03.00-04.04	*