

LISTA DE APLICACIONES - BUYERS GUIDE

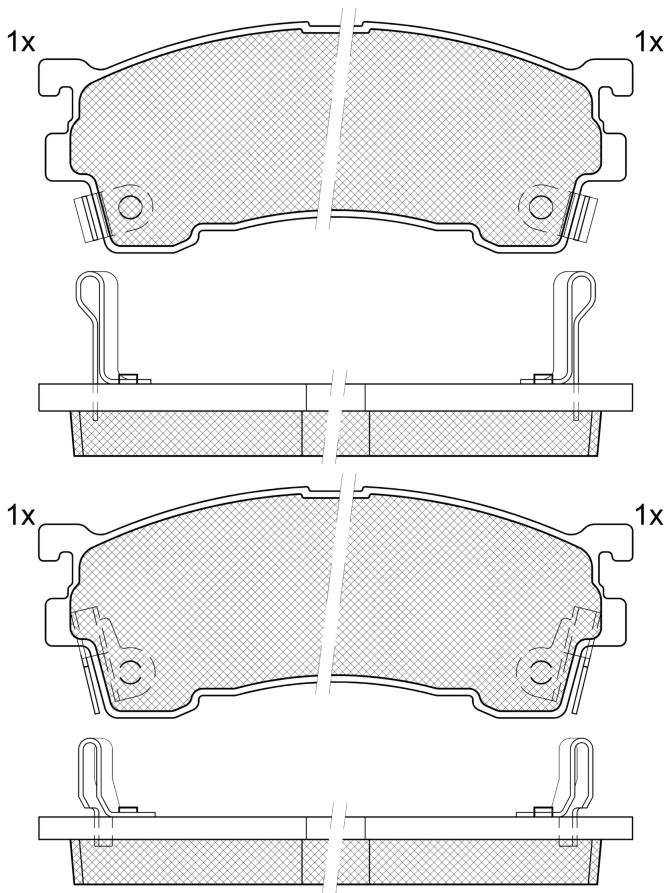
RB0971



Qty: 300

Weight: 1.350

O.E.M.	MAKE
0341-27-8	MAZDA
4843823	FORD USA
F32Z-2001-C	FORD USA
F42Z-2004-B	FORD USA
F62Z-2001-AA	FORD USA
GAYA-33-23Z	MAZDA
GAYH-33-23ZA	MAZDA
GAYR-33-23Z	MAZDA
GAYR-33-23ZA	MAZDA
GAYR-33-23ZB	MAZDA
GAYR-33-23ZB9A	MAZDA
GAYR-33-23ZC	MAZDA
GAYR-33-23ZD	MAZDA
GAYR-33-23ZE	MAZDA
GAYR-33-28Z	MAZDA
GAYR-33-28ZA	MAZDA
GAYR-33-28ZB	MAZDA
GAYR-33-28ZC	MAZDA
GAYR-33-28ZD	MAZDA
GBYH-33-23Z	MAZDA
GBYH-33-23ZA	MAZDA
GCYD-33-23Z	MAZDA
GCYD-33-23ZA	MAZDA
GCYD-33-23ZB	MAZDA
GCYD-33-23ZC	MAZDA



RB0971



132.1x51.6x16

WVA	FMSI
21754	D583-7463
24006	D637-7515
24082	
21755	
21756	

Sin Filas



	Trac.	CC	Kw	CV			Front / Rear
--	-------	----	----	----	--	--	--------------

EUNOS

500 01.92-10.99						Coupé (Luxury car-F Segment)		
2.0		Gasolina	FWD	1995	105	143	01.92-10.99	*
500 (CA) 01.92-10.99						Sedán (Luxury car-F Segment)		
1.6 (B6EW)		Gasolina	FWD	1597	79	107	04.94-10.99	*
1.6 (B69N)		Gasolina	FWD	1597	83	113	01.92-03.94	*
2.0 (CA12) (KF27)		Gasolina	FWD	1995	105	143	01.92-10.99	*

FORD ASIA & OCEANIA

TELSTAR 02.91-05.00						[CAMBIADO]:Fastback (Executive car-E Segment)		
AY,AX,GLX, TX5 V6		Gasolina	FWD				02.91-	*
1.8		Gasolina	FWD	1840	74	101	08.93-05.00	*
1.8		Gasolina	FWD	1840	77	105	08.91-07.93	*
1.8		Gasolina	FWD	1840	85	116	05.94-06.97	*
2.0		Gasolina	FWD	1991	85	116	08.93-05.00	*
2.0		Gasolina	FWD	1991	86	117	08.91-07.93	*
2.5		Gasolina	FWD	2497	120	163	08.91-07.93	*
2.5		Gasolina	FWD	2497	123	167	08.91-10.95	*
2.0 D Complex		Diesel	RWD	1998	55	75	02.91-07.93	*
2.0 D		Diesel	RWD	1998	74	101	08.93-05.00	*
TELSTAR (GE_) 08.91-10.95						Coupé (Executive car-E Segment)		
2.0 GTE		Gasolina	FWD	1991	86	117	08.91-10.95	*
2.5 GT		Gasolina	FWD	2497	123	167	08.91-10.95	*

LISTA DE APLICACIONES - BUYERS GUIDE

TELSTAR 02.91-10.00					Sedán (Executive car-E Segment)			
1.8		Gasolina	FWD	1839	85	116	05.94-10.00	*
1.8		Gasolina	FWD	1840	74	101	08.93-05.00	*
1.8		Gasolina	FWD	1840	77	105	08.91-07.93	*
1.8		Gasolina	FWD	1840	85	116	05.94-06.97	*
2.0		Gasolina	FWD	1991	85	116	08.93-05.00	*
2.0		Gasolina	FWD	1991	86	117	08.91-10.98	*
2.5		Gasolina	FWD	2497	120	163	08.91-07.93	*
2.0 D		Diesel	RWD	1998	52	71	06.95-10.00	*
2.0 D		Diesel	RWD	1998	55	75	02.91-07.93	*
2.0 TD		Diesel	RWD	1998	74	101	08.93-05.00	*
FORD USA								
PROBE (ECP) 09.92-03.98					Coupé (Sports car-S Segment)			
2.0 16V (FS)		Gasolina	FWD	1991	85	116	10.93-03.98	*
2.5 V6 24V (KL)		Gasolina	FWD	2497	119	162	10.93-03.98	*
2.5 V6 24V (KL)		Gasolina	FWD	2497	120	163	12.94-03.98	*
LEXUS								
GS IV (_L1_) 08.11-					Sedán (Executive car-E Segment)			
300h (AWL10_, AWL10R) (2AR-FSE)		Gasol./el éc.	RWD	2494	164	223	10.13-	*
MAZDA								
626 IV / CAPELLA Station Wagon (GV) 09.87-10.98					[CAMBIADO]:Break (Executive car-E Segment)			
2.0 GLX (FS)		Gasolina	FWD	1991	86	117	04.92-02.95	*
626 V / CAPELLA / TELSTAR (GE) 08.91-08.98					[CAMBIADO]:Fastback (Executive car-E Segment)			
1.8 (GE8P) (FP01LP)		Gasolina	FWD	1840	66	90	08.94-04.97	*
1.8 (GE8P) (FP)		Gasolina	FWD	1840	77	105	08.91-04.97	*
2.0 i (GE10S1) (FS)		Gasolina	FWD	1991	85	115	08.91-04.97	*
2.0 i 4WD (GE10S1) (FS)		Gasolina	4WD	1991	85	116	04.92-04.97	*
2.5 24V (GE5P) (KL)		Gasolina	FWD	2497	120	163	08.94-04.97	*
2.5 24V (GE5P) (KL)		Gasolina	FWD	2497	121	165	01.92-04.97	*
2.0 D GLX Complex (GEFP) (RF55)		Diesel	FWD	1998	55	75	01.93-04.97	*
626 V / CAPELLA / TELSTAR (GE) 08.91-08.98					Sedán (Executive car-E Segment)			
1.8 i (GE8P) (FP01LP)		Gasolina	FWD	1840	66	90	08.94-04.97	*
1.8 i (GE8P) (FP)		Gasolina	FWD	1840	77	105	08.91-04.97	*
1.8 i (FP)		Gasolina	FWD	1840	78	106	05.94-06.97	*
2.0 i (GE10S1) (FS)		Gasolina	FWD	1991	85	115	01.92-04.97	*
2.0 i 4WD (GE10S1) (FS)		Gasolina	4WD	1991	85	116	04.92-04.97	*
2.0 D GLX Complex (GEFP) (RF55)		Diesel	FWD	1998	55	75	10.92-04.97	*
2.0 D (RF55)		Diesel	FWD	1998	56	76	05.94-06.97	*
626 VII / CAPELLA (GF) 05.97-12.02					[CAMBIADO]:Fastback (Executive car-E Segment)			
1.9 (FP)		Gasolina	FWD	1840	74	100	12.99-10.02	*
1.9 (GF8P) (FP)		Gasolina	FWD	1840	74	100	12.99-10.02	*
2.0 Turbo DI (GFFP) (RF4F)		Diesel	FWD	1998	74	101	04.98-10.02	*
2.0 TD (GFFP) (RF4F)		Diesel	FWD	1998	81	110	10.00-10.02	*
626 VII / CAPELLA (GF) 05.97-05.06					Sedán (Executive car-E Segment)			
2.0 Turbo DI (GFFP) (RF4F)		Diesel	FWD	1998	74	101	04.98-10.02	*
2.0 TD (GFFP) (RF4F)		Diesel	FWD	1998	81	110	10.00-10.02	*

LISTA DE APLICACIONES - BUYERS GUIDE

MX-6 (GD) 10.87-01.97					Coupé (Sports car-S Segment)			
1.8		Gasolina	FWD	1840	74	101	12.95-02.97	*
2.0		Gasolina	FWD	1991	85	116	09.95-01.97	*
2.0 (FS)		Gasolina	FWD	1991	85	115	02.92-02.97	*
2.5 i 24V (GE20L) (KL)		Gasolina	FWD	2497	120	163	08.94-02.97	*
2.5 24V (GE10L) (KL)		Gasolina	FWD	2497	121	165	02.92-09.97	*
2.5 (KL)		Gasolina	FWD	2497	122	166	09.92-01.97	*
2.5 24V (KL)		Gasolina	FWD	2497	123	167	02.93-11.95	*
PREMACY (CP_) 01.99-06.05					Furgoneta/MPV (Compact MPV-M1 Segment)			
1.8 (CP19)		Gasolina	FWD	1840	74	101	07.99-06.05	*
PREMACY (CP) 01.99-03.05					MPV (Compact MPV-M1 Segment)			
1.9 (CP8W) (FP)		Gasolina	FWD	1840	74	100	07.99-03.05	*
XEDOS 6 / EUNOS 500 (CA) 01.92-10.99					Sedán (Luxury car-F Segment)			
1.6 16V (B6EW)		Gasolina	FWD	1597	79	107	04.94-10.99	*
1.6 16V (B69N)		Gasolina	FWD	1597	83	113	01.92-03.94	*
1.8		Gasolina	FWD	1839	85	116	04.94-10.99	*
2.0 V6 (CAEP) (KF1)		Gasolina	FWD	1995	103	140	06.94-10.99	*
2.0 V6 (CAEP) (KF1)		Gasolina	FWD	1995	106	144	01.92-05.94	*