

LISTA DE APLICACIONES - BUYERS GUIDE

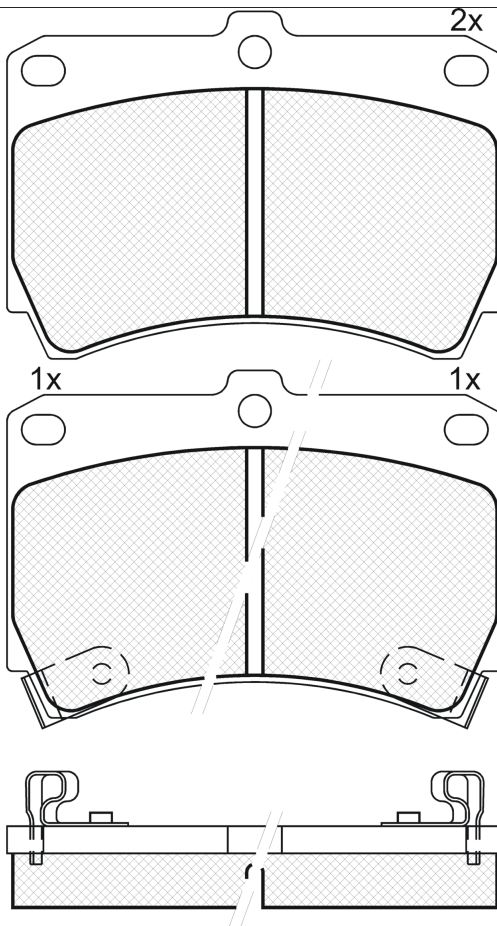
RB0970



Qty: 300

Weight: 1.105

O.E.M.	MAKE
0K30A-33-28Z	MAZDA
B09249290	MAZDA
B455-33-292	MAZDA
B4Y6-33-23Z	MAZDA
B4Y6-33-23ZA	MAZDA
B5Y6-33-23Z9A	MAZDA
B5Y6-33-28Z9A	MAZDA
B5Y6-33-28ZA	MAZDA
B5Y8-33-23Z	MAZDA
B5Y8-33-23ZA	MAZDA
B5Y8-33-28ZB	MAZDA
BCYC-33-23Z	MAZDA
BCYW-33-23Z	MAZDA
BCYW-33-23ZC	MAZDA
BRY0-33-28Z	MAZDA
BR77-33-23ZA	MAZDA
DCY0-33-23Z	MAZDA
DCY0-33-23ZA	MAZDA
DCY0-33-23ZB	MAZDA
DCY0-33-28ZA	MAZDA
DCY0-33-28ZB	MAZDA
DCY1-33-23Z	MAZDA
DCY9-33-23Z	MAZDA
K0BA2-33-28Z	KIA
KQBA2-33-28Z	KIA



RB0970

E 9 90R-01111/1032



Sumitomo

91.5x64.1x15

WVA	FMSI
21654	D466-7219
21655	D466-7613
21656	

Sin Filas



Trac.	CC	Kw	CV
-------	----	----	----



Front / Rear

FORD ASIA & OCEANIA

FESTIVA (BA_2, BJ_2) 11.90-09.04

Sedán (Supermini car-B Segment)

1.3 GLX	Gasolina	FWD	1324	55	75	05.94-08.98	*
1.6	Gasolina	FWD	1598	72	98	09.98-09.04	*
1.8 GT	Gasolina	FWD	1840	84	114	09.98-10.01	*
1.8 GLX	Gasolina	FWD	1840	85	116	05.94-08.98	*

LASER II (BA_3, BF_3, BF_4, BG_3, BJ_4) 05.86-11.03

[CAMBIADO]:Fastback (Compact car-C Segment)

KH, KF & 5 Door Single Cam	Gasolina	FWD				05.86-	*
1.3	Gasolina	FWD	1324	54	73	06.94-05.99	*
1.6	Gasolina	FWD	1597	54	73	06.89-05.94	*
1.6 GLX	Gasolina	FWD	1597	66	90	06.89-05.94	*
1.8	Gasolina	FWD	1840	74	101	04.90-07.94	*
1.8	Gasolina	FWD	1840	92	125	04.90-07.94	*
1.8	Gasolina	FWD	1840	117	159	04.90-07.94	*
1.7 D	Diesel	RWD	1720	42	57	06.89-05.94	*

FORD AUSTRALIA

FESTIVA (WB) 04.94-12.97

[CAMBIADO]:Fastback (Supermini car-B Segment)

1.3 i	Gasolina	FWD	1324	47	64	04.94-12.97	*
1.3 i	Gasolina	FWD	1324	47	64	01.97-12.97	*
1.3 i	Gasolina	FWD	1324	47	64	01.98-04.01	*
1.5 i	Gasolina	FWD	1498	56	76	01.98-12.01	*
1.5 i	Gasolina	FWD	1498	67	91	01.97-12.97	*

LISTA DE APLICACIONES - BUYERS GUIDE

LASER III (KF) 03.90-09.91					[CAMBIADO]:Fastback (Compact car-C Segment)			
1.6		Gasolina	FWD	1598	64	87	03.90-09.91	*
1.6		Gasolina	FWD	1598	64	87	10.91-10.94	*
1.8 i		Gasolina	FWD	1840	76	103	03.90-09.91	*
1.8 i		Gasolina	FWD	1840	76	103	10.91-10.94	*
1.8 i		Gasolina	FWD	1840	92	125	10.92-10.94	*
1.8 i TX3		Gasolina	FWD	1840	92	125	03.90-09.91	*
1.8 i TX3 Turbo		Gasolina	FWD	1840	117	159	06.90-09.91	*
1.8 i TX3 Turbo		Gasolina	FWD	1840	117	159	10.91-07.93	*
LASER III (KF) 03.90-09.91					Sedán (Compact car-C Segment)			
1.6		Gasolina	FWD	1598	64	87	03.90-09.91	*
1.6		Gasolina	FWD	1598	64	87	10.91-10.94	*
1.8		Gasolina	FWD	1840	76	103	03.90-09.91	*
1.8 i		Gasolina	FWD	1840	76	103	10.91-10.94	*
FORD USA								
FESTIVA 09.87-12.93					[CAMBIADO]:Fastback (Supermini car-B Segment)			
1.3 WB		Gasolina	FWD	1295			09.87-	*
1.3 WF,WD		Gasolina	FWD	1295			09.87-	*
1.5 WF,WD		Gasolina	FWD	1495			09.87-	*
KIA								
AVELLA (KBA1) 11.95-12.01					[CAMBIADO]:Fastback (Supermini car-B Segment)			
1.3 (B3)		Gasolina	FWD	1324	55	75	11.95-12.01	*
1.5		Gasolina	FWD	1498	55	75	02.97-12.01	*
1.5 (B5)		Gasolina	FWD	1498	68	92	02.98-10.01	*
AVELLA (KBA1) 11.95-12.01					Sedán (Supermini car-B Segment)			
1.3 (B3)		Gasolina	FWD	1324	55	75	11.95-12.01	*
1.5		Gasolina	FWD	1498	55	75	02.97-12.01	*
RIO (DC) 07.00-04.06					[CAMBIADO]:Fastback (Supermini car-B Segment)			
1.3 (A3E)		Gasolina	FWD	1343	55	75	08.00-02.05	*
1.3 (A3E)		Gasolina	FWD	1343	60	82	08.00-02.05	*
1.5 16V (A5D)		Gasolina	FWD	1493	72	98	08.00-02.05	*
1.5 16V		Gasolina	FWD	1495	72	98	07.00-	*
RIO (DC_) 07.00-04.06					Sedán (Supermini car-B Segment)			
1.3 (A3E)		Gasolina	FWD	1343	55	75	09.00-02.05	*
1.5 (A5D)		Gasolina	FWD	1493	70	95	09.02-02.05	*
1.5 16V (A5D)		Gasolina	FWD	1493	71	97	09.02-02.05	*
1.5 16V (A5D)		Gasolina	FWD	1493	72	98	09.00-02.05	*
1.5 16V		Gasolina	FWD	1495	72	98	07.00-	*
MAZDA								
121 II (DB) 11.90-05.97					Sedán (Supermini car-B Segment)			
1.1 (B1)		Gasolina	FWD	1138	40	54	11.90-10.93	*
1.3 16V (DB3PA) (B3 (16V))		Gasolina	FWD	1324	39	53	11.90-03.96	*
1.3 i 16V (DB3PA) (B3 (16V))		Gasolina	FWD	1324	53	72	11.90-03.96	*
1.5 i		Gasolina	FWD	1498	62	84	01.94-05.97	*
1.5 (DB3PA) (B5-MI)		Gasolina	FWD	1498	65	88	11.90-05.97	*
323 C VI / ETUDE / FAMILIA (BG) 06.89-09.00					[CAMBIADO]:Fastback (Compact car-C Segment)			
1.3 (BG3S) (B3E)		Gasolina	FWD	1324	49	67	09.89-07.94	*

LISTA DE APLICACIONES - BUYERS GUIDE

1.3 16V (BG3S) (B3 (16V))		Gasolina	FWD	1324	54	73	09.89-07.94	*	
1.6 (BG6Z) (B6E)		Gasolina	FWD	1597	62	84	09.89-06.91	*	
1.6 16V (BG6Z) (B6)		Gasolina	FWD	1597	65	88	03.91-10.94	*	
1.6 (BG6Z) (B67K)		Gasolina	FWD	1597	66	90	09.93-09.00	*	
1.8 16V 4WD (BG8S) (BP)		Gasolina	4WD	1840	76	103	11.91-12.93	*	
1.8 16V GT (BG8S) (BP (DOHC))		Gasolina	FWD	1840	94	128	09.89-03.93	*	
1.8 (BG8S) (BP21)		Gasolina	FWD	1840	96	130	09.89-06.93	*	
1.8 16V Turbo 4WD (BG8S) (BP TURBO)		Gasolina	4WD	1840	120	163	09.90-12.92	*	
1.8 Turbo		Gasolina	FWD	1840	122	166	06.89-04.94	*	
1.7 D (BG7S) (PN54)		Diesel	FWD	1720	41	56	08.89-07.94	*	
323 C VII / 323 ASTINA / FAMILIA (BA) 08.94-01.01							Coupé (Compact car-C Segment)		
1.3 16V (B3 (16V))		Gasolina	FWD	1324	54	73	08.94-09.98	*	
1.5 16V (BA11) (Z5-DE)		Gasolina	FWD	1489	65	88	08.94-09.98	*	
323 F VII / 323 ASTINA / FAMILIA (BA) 07.94-02.00							[CAMBIADO]:Fastback (Compact car-C Segment)		
1.5 16V (BA11) (Z5-DE)		Gasolina	FWD	1489	65	88	07.94-09.98	*	
323 F V-VI / 323 ASTINA / ASTINA / ETUDE / FAMILIA (BG) 04.87-10.94							[CAMBIADO]:Fastback (Compact car-C Segment)		
1.6 (BG6S, BG6P) (B6E)		Gasolina	FWD	1597	62	84	09.89-06.91	*	
1.6 16V (BG6S, BG6P) (B6)		Gasolina	FWD	1597	65	88	03.91-10.94	*	
1.6 (BG6S, BG6P) (B67J)		Gasolina	FWD	1597	66	90	04.91-04.94	*	
1.6 (BG6S, BG6P) (B67K)		Gasolina	FWD	1597	66	90	04.91-04.94	*	
1.6 (BG6S, BG6P) (B67L)		Gasolina	FWD	1597	66	90	04.91-04.94	*	
1.6 (B6 (SOHC))		Gasolina	FWD	1597	77	105	04.87-08.93	*	
1.6		Gasolina	FWD	1597	103	140	04.87-08.93	*	
1.8 16V (BG8S, BG8P) (BP)		Gasolina	FWD	1840	76	103	08.89-07.94	*	
1.8 4WD (BG8R) (BPC)		Gasolina	4WD	1840	76	103	01.91-04.94	*	
1.8 16V GT (BG8S, BG8P) (BP (DOHC))		Gasolina	FWD	1840	94	128	08.89-07.94	*	
323 P VII / 323 PROTEGÉ / ETUDE / FAMILIA (BA) 10.96-09.98							[CAMBIADO]:Fastback (Compact car-C Segment)		
1.3 16V (B3 (16V))		Gasolina	FWD	1324	54	73	10.96-09.98	*	
1.5 16V (Z5-DE)		Gasolina	FWD	1489	65	88	10.96-09.98	*	
323 S VI / FAMILIA / PROTEGE (BG) 06.89-10.96							Sedán (Compact car-C Segment)		
1.3 (BG3P) (B383)		Gasolina	FWD	1324	49	67	09.89-06.91	*	
1.3 (BG3P) (B3E)		Gasolina	FWD	1324	49	67	09.89-06.91	*	
1.3 16V (BG3P) (B3 (16V))		Gasolina	FWD	1324	54	73	04.91-07.94	*	
1.6 (BG6S) (B6E)		Gasolina	FWD	1597	62	84	09.89-06.91	*	
1.6 (BG6S) (B61V)		Gasolina	FWD	1597	64	87	06.89-03.91	*	
1.6 16V (BG6S) (B6)		Gasolina	FWD	1597	65	88	08.89-10.96	*	
1.8 16V (BG8P) (BP52)		Gasolina	FWD	1840	76	103	08.89-07.94	*	
1.8 16V 4WD (BP52)		Gasolina	4WD	1840	76	103	09.91-07.94	*	
1.8 16V GT (BG8P) (BP (DOHC))		Gasolina	FWD	1840	94	128	06.89-07.94	*	
1.8 16V Turbo 4WD (BG8R) (BP TURBO)		Gasolina	4WD	1840	120	163	01.91-07.94	*	
1.7 D (BG7P) (PN46)		Diesel	FWD	1720	41	56	08.89-07.94	*	
1.7 D (BG7P) (PN54)		Diesel	FWD	1720	41	56	08.89-07.94	*	
1.7 D (BG7P) (PN62)		Diesel	FWD	1720	41	56	08.89-07.94	*	
323 S VII / 323 PROTEGÉ / ETUDE / FAMILIA (BA) 09.92-12.03							Sedán (Compact car-C Segment)		
1.3 16V (B3 (16V))		Gasolina	FWD	1324	54	73	08.94-09.98	*	
1.5 16V (BA11) (Z5-DE)		Gasolina	FWD	1489	65	88	08.94-09.98	*	
1.5 16V (Z5-DE)		Gasolina	FWD	1489	66	90	05.94-12.98	*	

LISTA DE APLICACIONES - BUYERS GUIDE

DEMIO / 121 METRO (DW) 01.96-07.03					[CAMBIADO]:Fastback (Supermini car-B Segment)			
1.3 16V (DW3W, DW19) (B3 ME)	Gasolina	FWD	1324	46	63	08.98-07.03	*	
1.3 i 16V (DW3W) (B3 (16V))	Gasolina	FWD	1324	53	72	08.98-04.00	*	
1.3 i 16V (DW3W) (B3 ME)	Gasolina	FWD	1324	61	83	01.96-10.02	*	
1.5 16V (DW5W) (B5 E)	Gasolina	FWD	1498	55	75	04.00-07.03	*	
1.5 i 16V	Gasolina	FWD	1498	64	87	10.96-12.02	*	
FAMILIA 01.85-					[CAMBIADO]:Fastback (Compact car-C Segment)			
1.3	Gasolina	FWD	1295	54	74	01.85-	*	
1.5 GT	Gasolina	FWD	1495	60	81	01.85-	*	
1.6	Gasolina	FWD	1595	65	89	01.85-	*	
FESTIVA 04.89-12.93					[CAMBIADO]:Fastback (Supermini car-B Segment)			
1.1 (B115)	Gasolina	FWD	1138	40	54	04.89-10.90	*	
1.3	Gasolina	FWD	1324	48	65	04.89-10.90	*	
MX-3 / 30X / EUNOS 30X (EC) 05.91-09.98					Coupé (Sport compact car-C Segment)			
1.8 i V6 (ECPSA) (K8Y1)	Gasolina	FWD	1845	95	129	01.94-10.97	*	
1.8 i V6 (K8-ZE)	Gasolina	FWD	1845	99	135	01.96-10.97	*	
PROTEGE VII-VIII (U.S.A.) 01.95-					Sedán (Compact car-C Segment)			
1.5 16V ABS	Gasolina	FWD	1495	65	88	01.95-	*	
1.5 16V ABS	Gasolina	FWD	1495	65	88	01.95-	*	
SAO								
PENZA 01.91-					Sedán (Supermini car-B Segment)			
1.3	Gasolina	FWD	1295	49	67	01.91-	*	
1.3	Gasolina	FWD	1295	54	74	01.91-	*	