

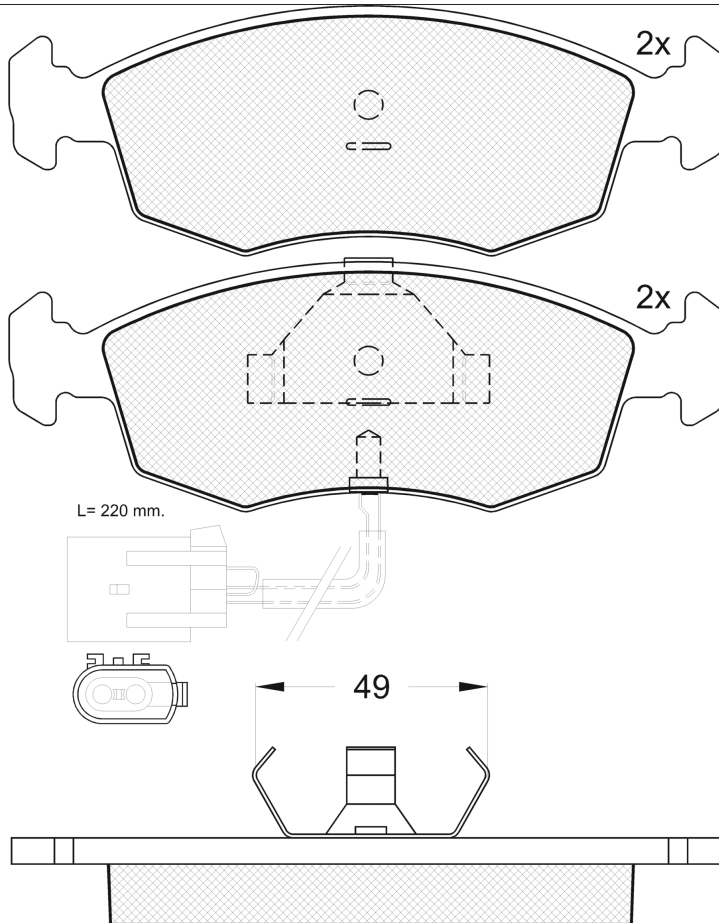
LISTA DE APLICACIONES - BUYERS GUIDE

RB0955



Qty: 300

Weight: 1.530



RB0955

E 9 90R-01111/303
 Ate - Teves



151.2x52.53x18

151.4x52.6x18

WVA

20907

21625

Sin Filas

O.E.M.	MAKE
1 034 512	FORD
6 521 375	TVR
6 821 708	FORD
89GB-2K021-BB	FORD
92GB-2K021-AA	FORD
92GX-2K021-AB	FORD



Trac.	CC	Kw	CV	Front / Rear
-------	----	----	----	--------------

FORD								
GRANADA II (GU) 08.77-08.85					Sedán (Executive car-E Segment)			
2.0 (NEK)		Gasolina	RWD	1993	77	105	08.81-08.85	*
GRANADA II Turnier (GNU) 08.77-08.85					[CAMBIADO]:Break (Executive car-E Segment)			
2.0 (NEK)		Gasolina	RWD	1993	77	105	08.81-08.85	*
SCORPIO / GRANADA (GAE, GGE) 04.85-09.94					[CAMBIADO]:Fastback (Executive car-E Segment)			
2.0 i (NRA)		Gasolina	RWD	1993	85	115	04.85-02.92	*
2.0 i (NRI)		Gasolina	RWD	1993	85	115	04.85-02.92	*
2.0 i (NRA)		Gasolina	RWD	1998	85	115	02.92-09.94	*
2.0 i (NRI)		Gasolina	RWD	1998	85	115	02.92-09.94	*
2.0 i (N9F)		Gasolina	RWD	1998	85	116	11.92-09.94	*
2.0 i (N9D)		Gasolina	RWD	1998	88	120	05.89-09.94	*
2.4 i (ARD)		Gasolina	RWD	2394	92	125	10.88-02.92	*
2.4 i Cat (ARD)		Gasolina	RWD	2394	92	125	10.88-09.94	*
2.4 i (ARC)		Gasolina	RWD	2394	96	130	09.86-09.88	*
2.9 i (BRD)		Gasolina	RWD	2933	107	145	09.86-09.94	*
2.9 i (BRE)		Gasolina	RWD	2933	107	145	09.86-09.94	*
2.9 i (BRF)		Gasolina	RWD	2933	107	145	09.86-09.94	*
2.9 i 4x4 (BRD)		Gasolina	4WD	2933	107	145	05.88-02.93	*
2.9 i 4x4 (BRE)		Gasolina	4WD	2933	107	145	05.88-02.93	*
2.9 i 4x4 (BRF)		Gasolina	4WD	2933	107	145	05.88-02.93	*
2.9 i Cat (BRE)		Gasolina	RWD	2933	107	145	10.87-09.94	*
2.9 i (BRC)		Gasolina	RWD	2933	110	150	09.86-09.94	*
2.9 i 4x4 (BRC)		Gasolina	4WD	2933	110	150	09.86-09.94	*

LISTA DE APLICACIONES - BUYERS GUIDE

2.9 i 24V (BOA)	Gasolina	RWD	2933	143	195	04.91-09.94	*
2.5 TD (SFA)	Diesel	RWD	2498	68	92	06.88-07.93	*
2.5 TD (SFB)	Diesel	RWD	2498	68	92	06.88-07.93	*
2.5 TD (SCB)	Diesel	RWD	2500	85	115	08.93-09.94	*
SCORPIO / GRANADA (GGE) 01.86-12.94				Sedán (Executive car-E Segment)			
2.0 (NRA)	Gasolina	RWD	1993	85	115	11.92-09.93	*
2.0 (N8B)	Gasolina	RWD	1998	80	109	06.89-03.93	*
2.0 i (N9F)	Gasolina	RWD	1998	85	115	02.92-09.94	*
2.0 i (N9D)	Gasolina	RWD	1998	88	120	05.89-09.94	*
2.0 i (N9B)	Gasolina	RWD	1998	92	125	05.89-02.92	*
2.4 i (ARD)	Gasolina	RWD	2394	92	125	10.88-10.94	*
2.9	Gasolina	RWD	2914	107	145	09.92-09.94	*
2.9 i (BRD)	Gasolina	RWD	2933	107	145	09.86-12.94	*
2.9 i (BRE)	Gasolina	RWD	2933	107	145	09.86-12.94	*
2.9 i (BRF)	Gasolina	RWD	2933	107	145	09.86-12.94	*
2.9 i 4x4 (BRD)	Gasolina	4WD	2933	107	145	12.89-10.94	*
2.9 i 4x4 (BRE)	Gasolina	4WD	2933	107	145	12.89-10.94	*
2.9 i 4x4 (BRF)	Gasolina	4WD	2933	107	145	12.89-10.94	*
2.9 i 24V (BOA)	Gasolina	RWD	2933	143	195	04.91-09.94	*
2.5 TD (SFA)	Diesel	RWD	2498	68	92	06.88-07.93	*
2.5 TD (SFB)	Diesel	RWD	2498	68	92	06.88-07.93	*
2.5 TD (SCB)	Diesel	RWD	2500	85	115	08.93-09.94	*
SCORPIO / GRANADA Turnier (GGE) 05.88-09.94				[CAMBIADO]:Break (Executive car-E Segment)			
2.0 i (N9F)	Gasolina	RWD	1998	85	115	09.91-09.94	*
2.0 i (N9D)	Gasolina	RWD	1998	88	120	09.91-09.94	*
2.4 i (ARD)	Gasolina	RWD	2394	92	125	09.91-09.94	*
2.9 i (BRD)	Gasolina	RWD	2933	107	145	09.91-09.94	*
2.9 i (BRE)	Gasolina	RWD	2933	107	145	09.91-09.94	*
2.9 i (BRF)	Gasolina	RWD	2933	107	145	09.91-09.94	*
2.9 i 4x4 (BRD)	Gasolina	4WD	2933	107	145	05.88-02.93	*
2.9 i 4x4 (BRE)	Gasolina	4WD	2933	107	145	05.88-02.93	*
2.9 i 4x4 (BRF)	Gasolina	4WD	2933	107	145	05.88-02.93	*
2.9 24V (BOA)	Gasolina	RWD	2935	143	195	08.93-09.94	*
2.5 TD (SFA)	Diesel	RWD	2498	68	92	09.91-07.93	*
2.5 TD (SFB)	Diesel	RWD	2498	68	92	09.91-07.93	*
2.5 TD (SCB)	Diesel	RWD	2500	85	115	08.93-09.94	*
SIERRA (GBC) 08.82-02.87				[CAMBIADO]:Fastback (Large family car-D Segment)			
2.8 XR4i (PRT)	Gasolina	RWD	2792	110	150	08.82-12.86	*
2.8 XR 4x4 (PRT)	Gasolina	4WD	2792	110	150	02.85-12.86	*
SIERRA Turnier (BNC) 08.82-12.86				[CAMBIADO]:Break (Large family car-D Segment)			
2.8 i 4x4 (PR6)	Gasolina	4WD	2792	107	146	08.82-12.86	*
2.8 XR4i (PR5)	Gasolina	RWD	2792	107	146	08.82-12.86	*
PANTHER							
KALLISTA 01.82-09.93				Cabrió (Sports car-S Segment)			
2.8 i	Gasolina	RWD	2792	110	150	01.82-12.89	*
TVR							
350 01.83-12.89				Cabrió (Sports car-S Segment)			
3.5 i (37A)	Gasolina	RWD	3528	145	197	01.83-12.89	*

LISTA DE APLICACIONES - BUYERS GUIDE

350 01.83-12.89				Coupé (Sports car-S Segment)				
3.5 i (37A)	Gasolina	RWD	3528	145	197	01.83-12.89	*	