

# LISTA DE APLICACIONES - BUYERS GUIDE

## RB0950

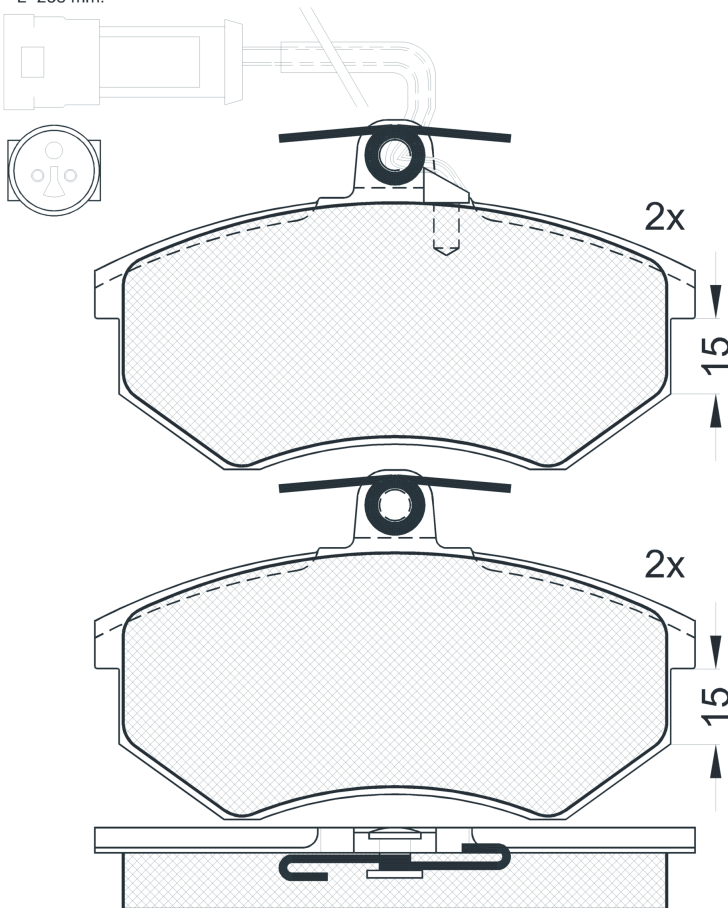


Qty: 300

Weight: 1.370

O.E.M.	MAKE
720050006	DR
853 698 151 E	AUDI
T113501080	DR

L=238 mm.



## RB0950

**E 9** 90R-01111/313



Lucas - Girling

119x69.6x16.3

WVA
20669
20901

Sin Filas



Trac.	CC	Kw	CV
-------	----	----	----



Front / Rear

### AUDI

						Sedán (Compact executive car-D Segment)		
<b>80 III B2 / 4000 (811, 813, 814, 819, 853) 08.78-03.87</b>								
1.8 GTE quattro (85Q) (DZ)		Gasolina	4WD	1781	82	112	08.84-08.86	*
<b>90 B2 (813, 814, 853) 08.84-07.88</b>						Sedán (Compact executive car-D Segment)		
2.2 E quattro (JT)		Gasolina	4WD	2226	88	120	08.85-03.87	*
2.2 E quattro (KV)		Gasolina	4WD	2226	100	136	11.84-03.87	*

### DR

						SUV (Compact Crossover CUV-C Segment)		
<b>DR 5 01.07-</b>								
1.6 (SQR481F)		Gasolina	FWD	1597	80	109	01.07-12.11	*
1.6 (SQR481F)		Gasolina	FWD	1597	87	118	01.11-12.18	*
1.6 (SQRE4G16)		Gasolina	FWD	1598	93	126	08.16-12.18	*
1.8 (SQR481FC)		Gasolina	FWD	1845	97	132	01.11-12.18	*
2.0 (SQR484F)		Gasolina	FWD	1971	94	128	01.07-12.11	*
2.0 (SQR484F)		Gasolina	FWD	1971	102	139	01.11-12.18	*
2.0 4WD (SQR484F)		Gasolina	4WD	1971	102	139	01.11-12.18	*
1.6 LPG (SQR481F)		Gasol./G as (LPG)	FWD	1597	80	109	01.07-12.11	*
1.6 LPG (SQR481F)		Gasol./G as (LPG)	FWD	1597	87	118	01.11-12.18	*
1.6 LPG (SQRE4G16)		Gasol./G as (LPG)	FWD	1598	93	126	08.16-12.18	*
1.8 LPG (SQR481FC)		Gasol./G as (LPG)	FWD	1845	97	132	01.11-12.18	*
2.0 LPG (SQR484F)		Gasol./G as (LPG)	FWD	1971	94	128	01.07-12.11	*
2.0 LPG (SQR484F)		Gasol./G as (LPG)	FWD	1971	102	139	01.11-12.18	*

## LISTA DE APLICACIONES - BUYERS GUIDE

2.0 LPG 4WD (SQR484F)		Gasol./Gas (LPG)	4WD	1971	102	139	01.11-12.18	*
1.6 CNG (SQR481F)		Gasol./Gas (CNG)	FWD	1597	80	109	01.07-12.11	*
1.6 CNG (SQRE4G16)		Gasol./Gas (CNG)	FWD	1598	93	126	08.16-12.18	*
2.0 CNG (SQR484F)		Gasol./Gas (CNG)	FWD	1971	94	128	01.07-12.11	*
2.0 CNG 4WD (SQR484F)		Gasol./Gas (CNG)	4WD	1971	102	139	08.16-12.18	*
1.9 D (186 A9.000)		Diesel	FWD	1910	88	120	01.07-12.11	*