

# LISTA DE APLICACIONES - BUYERS GUIDE

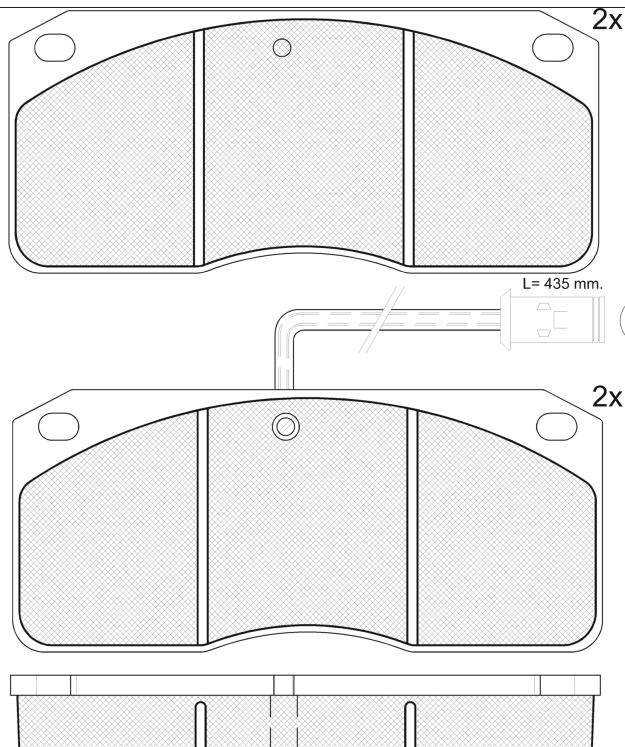
## RB0894



8 424073 124036

Qty: 650

Weight: 4.260



4x **150894-066**



4x

1 - Ref. 690115 E

## RB0894

**E 9 90R-01179/697**



Lucas-Girling B-FRAME

175.5x78x22

**WVA**

21302

29033

29302

Sin Filas



Trac.	CC	Kw	CV
-------	----	----	----



Front / Rear

### IVECO

							<b>Veh. Municipal</b>					
<b>10.00-07.07</b>												
100 E 21 tector (F4AE0681D)		Diesel		5883	154	209	09.00-07.07	*	*			
100E21W		Diesel		5883	154	209	10.00-07.07	*	*			
100 E 25 W tector (F4AE3681D)		Diesel		5883	185	251	05.06-07.07	*	*			
<b>EuroCargo I-III 01.91-09.15</b>							<b>Cabeza tractora</b>					
180 E 21 T (8060.45.4100 TCA)		Diesel		5861	152	207	01.91-09.15	*	*			
<b>EuroCargo I-III 01.91-09.15</b>							<b>Caja/Chasis</b>					
100 E 15, 100 E 15 P (8060.25R.4200 LTC)		Diesel		5861	105	143	01.91-09.15	*	*			
100 E 15, 100 E 15 P (8060.45R.5000)		Diesel		5861	105	143	01.91-09.15	*	*			
100 E 15, 100 E 15 P (8060.45R.5001)		Diesel		5861	105	143	01.91-09.15	*	*			
100 E 15, 100 E 15 P (8060.45R.5003)		Diesel		5861	105	143	01.91-09.15	*	*			
100 E 15, 100 E 15 P (8060.45R.5005)		Diesel		5861	105	143	01.91-09.15	*	*			
80 E 15, 80 E 15 P (8060.25R.4200 LTC)		Diesel		5861	105	143	01.91-09.15	*	*			
100 E 18, 100 E 18 P (8060.25V.4000)		Diesel		5861	130	177	01.91-09.15	*	*			
80 E 18, 80 E 18 P, 18 E 80 FP (8060.25V.4000)		Diesel		5861	130	177	01.91-09.15	*	*			
80 E 18, 80 E 18 P, 18 E 80 FP (8060.25V.4000)		Diesel		5861	130	177	01.91-09.15	*	*			
100 E 21, 100 E 21 P (8060.45.4100 TCA)		Diesel		5861	152	207	01.91-09.15	*	*			
100 E 21, 100 E 21 P (8060.45.4180)		Diesel		5861	152	207	01.91-09.15	*	*			
80 E 21, 80 E 21 P, 21 E 80 FP (8060.45.4100 TCA)		Diesel		5861	152	207	01.91-09.15	*	*			
80 E 21, 80 E 21 P, 21 E 80 FP (8060.45.4180)		Diesel		5861	152	207	01.91-09.15	*	*			
80E21, 80E21P, 80E21FP, 80EL21, 80EL21P (8060.45.4100 TCA)		Diesel		5861	152	207	01.91-09.15	*	*			
80E21, 80E21P, 80E21FP, 80EL21, 80EL21P (8060.45.4180)		Diesel		5861	152	207	01.91-09.15	*	*			

# LISTA DE APLICACIONES - BUYERS GUIDE

<b>EuroCargo I-III 01.91-09.15</b>					<b>Camión volquete</b>				
100 E 15 K (8060.25R.4200 LTC)		Diesel		5861	105	143	01.91-09.15	*	*
80 E 15 K (8060.25R.4200 LTC)		Diesel		5861	105	143	01.91-09.15	*	*
80 E 15 K (8060.25R.4200 LTC)		Diesel		5861	105	143	01.91-09.15	*	*
100 E 18 K (8060.25V.4000)		Diesel		5861	130	177	01.91-09.15	*	*
80 E 18 K (8060.25V.4000)		Diesel		5861	130	177	01.91-09.15	*	*
80 E 18 K (8060.25V.4000)		Diesel		5861	130	177	01.91-09.15	*	*
<b>EuroFire 01.91-</b>					<b>Veh. Municipal</b>				
75 E 14 (8040.45)		Diesel		3908	100	136	01.91-09.00	*	*
95 E 18 W (8060.45B)		Diesel		5861	130	177	01.93-09.00	*	*
<b>Zeta 01.79-12.92</b>					<b>Bus</b>				
A 60-10 (8340.04.040)		Diesel		4570	73	99	11.79-06.88	*	*
<b>Zeta 01.79-12.92</b>					<b>Caja/Chasis</b>				
50-8 (8040.04.200)		Diesel		3666	63	86	01.83-12.86	*	*
60-8 (8040.04.200)		Diesel		3666	63	86	11.79-12.83	*	*
50-9 (8040.05.230)		Diesel		3908	65	88	01.87-03.91	*	*
50-10 (8340.04.200)		Diesel		4570	74	101	01.79-12.86	*	*
50-10 (8340.04.250)		Diesel		4570	74	101	01.79-12.86	*	*
50-10 (8340.04.300)		Diesel		4570	74	101	01.79-12.86	*	*
50-10 (8340.04.362)		Diesel		4570	74	101	01.79-12.86	*	*
60-10 (8340.04.200)		Diesel		4570	74	101	11.79-12.86	*	*
60-10 (8340.04.250)		Diesel		4570	74	101	11.79-12.86	*	*
65-10 (8340.04.200)		Diesel		4570	74	101	11.79-01.87	*	*
65-10 (8340.04.250)		Diesel		4570	74	101	11.79-01.87	*	*
65-10 (8340.04.300)		Diesel		4570	74	101	11.79-01.87	*	*
65-10 (8340.04.350)		Diesel		4570	74	101	11.79-01.87	*	*
79-13 (8060.04.060)		Diesel		5500	96	131	11.79-12.83	*	*
79-13 (8060.04.660)		Diesel		5500	96	131	11.79-12.83	*	*
109-14 (8060.04.689)		Diesel		5500	99	135	06.83-12.85	*	*
95-14 (8060.04.669)		Diesel		5500	99	135	07.83-10.85	*	*
<b>Zeta 01.79-12.92</b>					<b>Camión volquete</b>				
50-8 H (8040.04.200)		Diesel		3666	63	86	01.83-12.86	*	*
50-9 H (8040.05.230)		Diesel		3908	65	88	01.87-03.91	*	*
50-10H (8340.04.200)		Diesel		4570	74	101	01.79-12.86	*	*
50-10H (8340.04.250)		Diesel		4570	74	101	01.79-12.86	*	*
50-10H (8340.04.300)		Diesel		4570	74	101	01.79-12.86	*	*
50-10H (8340.04.362)		Diesel		4570	74	101	01.79-12.86	*	*
60-10H (8340.04.200)		Diesel		4570	74	101	11.79-12.86	*	*
60-10H (8340.04.250)		Diesel		4570	74	101	11.79-12.86	*	*
65-10H (8340.04.200)		Diesel		4570	74	101	11.79-01.87	*	*
65-10H (8340.04.250)		Diesel		4570	74	101	11.79-01.87	*	*
65-10H (8340.04.300)		Diesel		4570	74	101	11.79-01.87	*	*
65-10H (8340.04.350)		Diesel		4570	74	101	11.79-01.87	*	*
79-13 (8060.04.060)		Diesel		5500	96	131	11.79-12.83	*	*
79-13 (8060.04.660)		Diesel		5500	96	131	11.79-12.83	*	*
109-14 H (8060.04.689)		Diesel		5500	99	135	06.83-12.85	*	*
95-14 H (8060.04.669)		Diesel		5500	99	135	07.83-10.85	*	*
<b>Zeta 01.79-12.92</b>					<b>Furgoneta</b>				
50-8 V (8040.04.200)		Diesel		3666	63	86	01.83-12.86	*	*

## LISTA DE APLICACIONES - BUYERS GUIDE

60-8 (8040.04.200)		Diesel		3666	63	86	11.79-12.82	*	*
50-9 V (8040.05.230)		Diesel		3908	65	88	01.87-03.91	*	*
50-10V (8340.04.200)		Diesel		4570	74	101	01.79-12.86	*	*
50-10V (8340.04.250)		Diesel		4570	74	101	01.79-12.86	*	*
50-10V (8340.04.300)		Diesel		4570	74	101	01.79-12.86	*	*
50-10V (8340.04.362)		Diesel		4570	74	101	01.79-12.86	*	*
60-10V (8340.04.200)		Diesel		4570	74	101	11.79-12.86	*	*
60-10V (8340.04.250)		Diesel		4570	74	101	11.79-12.86	*	*
65-10V (8340.04.200)		Diesel		4570	74	101	11.79-01.87	*	*
65-10V (8340.04.250)		Diesel		4570	74	101	11.79-01.87	*	*
65-10V (8340.04.300)		Diesel		4570	74	101	11.79-01.87	*	*
65-10V (8340.04.350)		Diesel		4570	74	101	11.79-01.87	*	*
79-13 (8060.04.060)		Diesel		5500	96	131	11.79-12.83	*	*
79-13 (8060.04.660)		Diesel		5500	96	131	11.79-12.83	*	*