

# LISTA DE APLICACIONES - BUYERS GUIDE

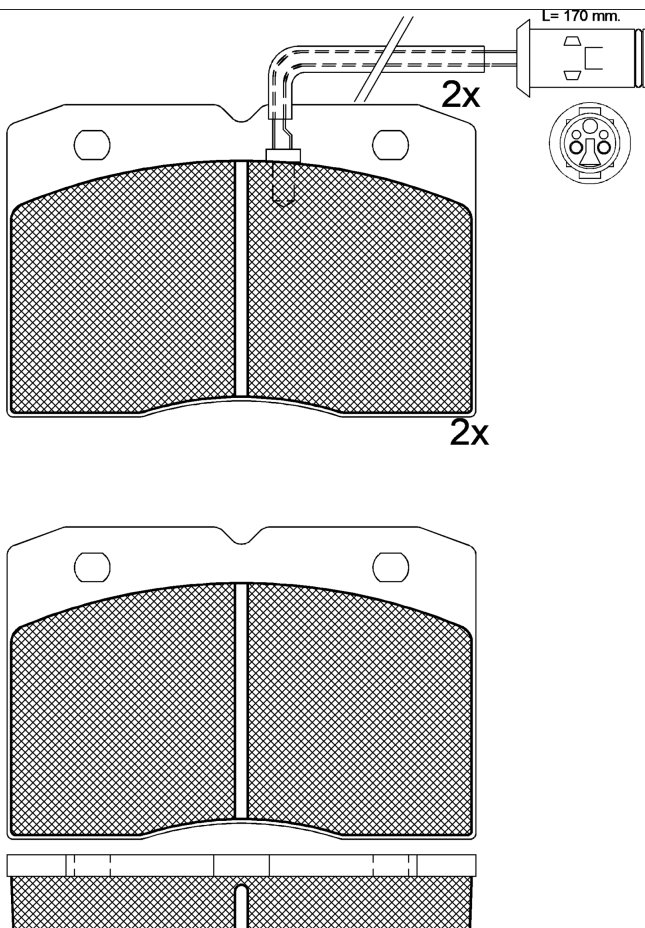
## RB0892



Qty: 975

Weight: 1.860

O.E.M.	MAKE
190 6039	OM
190 6159	OM



## RB0892



Brembo 1x52

109.7x73x18.3

<b>WVA</b>
21048
29041

Sin Filas



Trac.	CC	Kw	CV
-------	----	----	----



Front / Rear

### IVECO

DAILY II 01.89-08.09						[CAMBIADO]:Furgón (LCVs-N1 Segment)				
35-8 (12934104, 12934111, 12934112, 12934117, 12934124,... (8140.07)	Diesel	RWD	2499	55	75	01.91-08.98				*
35-8 (12934104, 12934111, 12934112, 12934117, 12934124,...	Diesel	RWD	2499	55	75	01.91-08.98				*
40-8 (12954211, 12954212, 12954215, 12954231)	Diesel	RWD	2499	55	75	01.90-01.96				*
35-8	Diesel	RWD	2499	60	82	01.91-08.98				*
35-8 (12934104, 12934111, 12934112, 12934117, 12934124,... (8140.67F.)	Diesel	RWD	2499	60	82	01.91-08.98				*
35-10 (12974212, 12974217, 13014111, 13014131, 13014204,... (8140.27)	Diesel	RWD	2499	76	103	01.89-08.98				*
35-10 (12974212, 12974217, 13014111, 13014131, 13014204,... (8140.97)	Diesel	RWD	2499	76	103	01.89-08.98				*
40-10 V (8140.27)	Diesel	RWD	2499	76	103	01.90-04.96				*
45-10 V (13034204, 13034211, 13034212, 13034224,... (8140.27)	Diesel	RWD	2499	76	103	01.89-04.96				*
35-10 (12974212, 12974217, 13014111, 13014131, 13014204,... (8140.47R)	Diesel	RWD	2499	80	109	01.89-08.98				*
DAILY II 01.89-05.99						Bus (Minibus-M2-Segment)				
A 40-10 (94139111, 94139131, 94139311, 94139315,... (8140.27)	Diesel	RWD	2499	76	103	01.91-12.96				*
A 45-10 (94159111, 94159131, 94159211, 94159311,... (8140.27.2720)	Diesel	RWD	2499	76	103	01.91-04.96				*
DAILY II 01.89-05.99						Caja/Chasis (LCVs-N1 Segment)				
35-8 (12931102, 12931104, 12931111, 12931112, 12931117,... (8140.07)	Diesel	RWD	2499	55	75	01.89-08.98				*
35-8 (12931102, 12931104, 12931111, 12931112, 12931117,...	Diesel	RWD	2499	55	75	01.89-08.98				*
40-8 (12950304, 12951112, 12951131, 12951135, 12951211,...	Diesel	RWD	2499	55	75	01.90-01.96				*

## LISTA DE APLICACIONES - BUYERS GUIDE

35-8 (12931102, 12931104, 12931111, 12931112, 12931117,... (8140.67F.)	Diesel	RWD	2499	60	82	01.89-08.98	*
35-8 (12931102, 12931104, 12931111, 12931112, 12931117,...	Diesel	RWD	2499	60	82	01.89-08.98	*
35-10 (12971112, 12971212, 12971312, 12971317, 12976112,...	Diesel	RWD	2499	68	92	01.89-12.96	*
35-10 (12971112, 12971212, 12971312, 12971317, 12976112,... (8140.27)	Diesel	RWD	2499	76	103	01.89-12.96	*
35-10 (12971112, 12971212, 12971312, 12971317, 12976112,... (8140.97)	Diesel	RWD	2499	76	103	01.89-12.96	*
45-10 (13031204, 13031211, 13031212, 13031224, 13031231,... (8140.27)	Diesel	RWD	2499	76	103	01.89-04.96	*
35-10 (13810217, 13810312, 13810417, 13811112, 13811212,... (8140.47R)	Diesel	RWD	2499	80	109	01.89-12.96	*
<b>DAILY II 01.89-05.99</b>				<b>Volquete (Volquete-N2 Segment)</b>			
45-10 (13031204, 13031211, 13031212, 13031224, 13031231,... (8140.27)	Diesel	RWD	2499	76	103	01.92-04.96	*