

LISTA DE APLICACIONES - BUYERS GUIDE

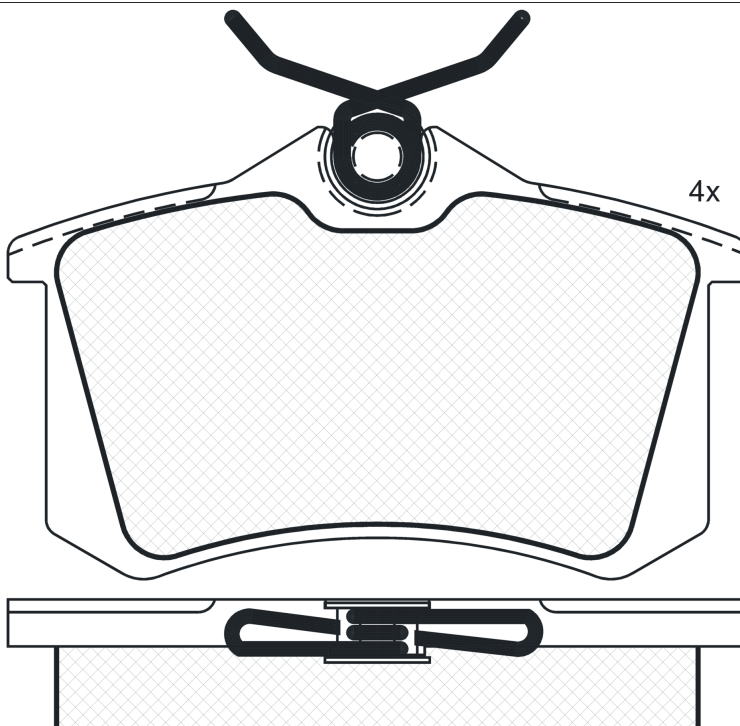
RB0789-700



Qty: 944

Weight: 890

O.E.M.	MAKE
191 615 415 A	VW
191 698 451	AUDI
191 698 451 A	VW
191 698 451 B	VW
191 698 451 C	VW
191 698 451 D	VW
1A0 698 451 E	AUDI
1E0 698 451	VW
1H0 615 415	VW
1H0 690 451	VW
1H0 690 451A	VW
1H0 698 451	VW
1H0 698 451 A	VW
1H0 698 451 B	VW
1H0 698 451 C	VW
1H0 698 451 E	VW
1H0 698 451 F	VW
1H0 698 451 G	VW
4250.56	PEUGEOT
4251.08	PEUGEOT
60 25 375 650	RENAULT
86 71 016 188	RENAULT
8E0 698 451 D	AUDI
8E0 698 451 E	AUDI
JZW 698 451 B	VW



RB0789-700

E1 90R-01100/068



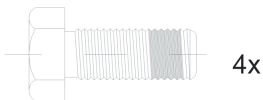
Lucas - Girling

87.1x52.9x15.2

WVA	FMSI
20961	D340-7234
23554	

Sin Filas

180789-700



1-690042



Trac.	CC	Kw	CV
-------	----	----	----



Front / Rear

AUDI

				Cabrio (Compact executive car-D Segment)			
A4 II B6 (8H7) 01.02-12.09							
1.8 T (BFB)	Gasolina	FWD	1781	120	163	07.02-12.05	*
1.8 T quattro (AMB)	Gasolina	4WD	1781	127	173	09.03-12.04	*
2.4 (AMM)	Gasolina	FWD	2393	120	163	04.02-12.05	*
2.4 (BDV)	Gasolina	FWD	2393	125	170	04.02-12.05	*
3.0 (ASN)	Gasolina	FWD	2976	162	220	04.02-12.05	*
3.0 (AVK)	Gasolina	FWD	2976	162	220	04.02-12.05	*
3.0 (BGN)	Gasolina	FWD	2976	162	220	04.02-12.05	*
3.0 quattro (ASN)	Gasolina	4WD	2976	162	220	05.03-12.05	*
3.0 quattro (AVK)	Gasolina	4WD	2976	162	220	05.03-12.05	*
3.0 quattro (BGN)	Gasolina	4WD	2976	162	220	05.03-12.05	*
2.5 TDI (BCZ)	Diesel	FWD	2496	120	163	08.02-12.05	*
2.5 TDI (BDG)	Diesel	FWD	2496	120	163	08.02-12.05	*
2.5 TDI (BFC)	Diesel	FWD	2496	120	163	08.02-12.05	*
A4 II B6 (8E2) 11.00-12.05				Sedán (Compact executive car-D Segment)			
1.6 (ALZ)	Gasolina	FWD	1595	75	102	11.00-12.04	*
1.8 T (AVJ)	Gasolina	FWD	1781	110	150	11.00-07.02	*
1.8 T quattro (AVJ)	Gasolina	4WD	1781	110	150	11.00-07.02	*
1.8 T (BFB)	Gasolina	FWD	1781	120	163	07.02-12.04	*
1.8 T quattro (BFB)	Gasolina	4WD	1781	120	163	07.02-12.04	*
1.8 T (AWM)	Gasolina	FWD	1781	127	173	01.01-12.04	*
1.8 T (BEX)	Gasolina	FWD	1781	140	190	11.02-12.04	*
1.8 T quattro (BEX)	Gasolina	4WD	1781	140	190	11.02-12.04	*

LISTA DE APLICACIONES - BUYERS GUIDE

2.0 (ALT)		Gasolina	FWD	1984	96	130	11.00-12.04	*
2.0 FSI (AWA)		Gasolina	FWD	1984	110	150	07.02-12.04	*
2.4 (AMM)		Gasolina	FWD	2393	120	163	09.01-12.04	*
2.4 (BDV)		Gasolina	FWD	2393	125	170	09.01-12.04	*
3.0 (BBJ)		Gasolina	FWD	2976	160	218	04.01-12.04	*
3.0 quattro (BBJ)		Gasolina	4WD	2976	160	218	04.01-12.04	*
3.0 (ASN)		Gasolina	FWD	2976	162	220	11.00-12.04	*
3.0 (AVK)		Gasolina	FWD	2976	162	220	11.00-12.04	*
3.0 quattro (ASN)		Gasolina	4WD	2976	162	220	11.00-12.04	*
3.0 quattro (AVK)		Gasolina	4WD	2976	162	220	11.00-12.04	*
3.0 (BGN)		Gasolina	FWD	2976	164	223	01.05-12.05	*
3.0 quattro (BGN)		Gasolina	FWD	2976	164	223	01.05-12.05	*
1.9 TDI (AVB)		Diesel	FWD	1896	74	101	05.01-12.04	*
1.9 TDI (BKE)		Diesel	FWD	1896	85	116	06.04-12.04	*
1.9 TDI (AVF)		Diesel	FWD	1896	96	130	11.00-12.04	*
1.9 TDI (AWX)		Diesel	FWD	1896	96	130	11.00-12.04	*
1.9 TDI quattro (AVF)		Diesel	4WD	1896	96	130	11.01-12.04	*
2.5 TDI (AYM)		Diesel	FWD	2496	114	155	08.01-07.02	*
2.5 TDI (BCZ)		Diesel	FWD	2496	120	163	07.02-12.04	*
2.5 TDI (BDG)		Diesel	FWD	2496	120	163	07.02-12.04	*
2.5 TDI (BFC)		Diesel	FWD	2496	120	163	07.02-12.04	*
2.5 TDI quattro (AKE)		Diesel	4WD	2496	132	180	11.00-12.04	*
2.5 TDI quattro (BAU)		Diesel	4WD	2496	132	180	11.00-12.04	*
2.5 TDI quattro (BDH)		Diesel	4WD	2496	132	180	11.00-12.04	*
A4 II B6 Avant (8E5) 02.00-12.05							[CAMBIADO]:Break (Compact executive car-D Segment)	
1.6 (ALZ)		Gasolina	FWD	1595	75	102	09.01-12.04	*
1.8 T (AVJ)		Gasolina	FWD	1781	110	150	09.01-07.02	*
1.8 T quattro (AVJ)		Gasolina	4WD	1781	110	150	09.01-07.02	*
1.8 T (BFB)		Gasolina	FWD	1781	120	163	07.02-12.04	*
1.8 T quattro (BFB)		Gasolina	4WD	1781	120	163	07.02-12.04	*
1.8 T quattro (AWM)		Gasolina	4WD	1781	127	173	04.01-12.04	*
1.8 T (BEX)		Gasolina	FWD	1781	140	190	11.02-12.04	*
1.8 T quattro (BEX)		Gasolina	4WD	1781	140	190	11.02-12.04	*
2.0 (ALT)		Gasolina	FWD	1984	96	130	09.01-12.04	*
2.0 FSI (AWA)		Gasolina	FWD	1984	110	150	07.02-12.04	*
2.4 (AMM)		Gasolina	FWD	2393	120	163	09.01-12.04	*
2.4 (BDV)		Gasolina	FWD	2393	125	170	09.01-12.04	*
3.0 (BBJ)		Gasolina	FWD	2976	160	218	04.01-12.04	*
3.0 quattro (BBJ)		Gasolina	4WD	2976	160	218	04.01-12.04	*
3.0 (ASN)		Gasolina	FWD	2976	162	220	09.01-12.04	*
3.0 quattro (ASN)		Gasolina	4WD	2976	162	220	09.01-12.04	*
3.0 quattro (AVK)		Gasolina	4WD	2976	162	220	09.01-12.04	*
3.0 quattro (AK,BGN)		Gasolina	4WD	2976	164	223	09.01-12.04	*
1.9 TDI (AVB)		Diesel	FWD	1896	74	101	11.01-12.04	*
1.9 TDI (BKE)		Diesel	FWD	1896	85	116	06.04-12.04	*
1.9 TDI (AVF)		Diesel	FWD	1896	96	130	09.01-12.04	*
1.9 TDI (AWX)		Diesel	FWD	1896	96	130	09.01-12.04	*
1.9 TDI quattro (AVF)		Diesel	4WD	1896	96	130	11.01-12.04	*
2.5 TDI (AYM)		Diesel	FWD	2496	114	155	09.01-07.02	*
2.5 TDI (BCZ)		Diesel	FWD	2496	120	163	07.02-12.04	*
2.5 TDI (BDG)		Diesel	FWD	2496	120	163	07.02-12.04	*

LISTA DE APLICACIONES - BUYERS GUIDE

2.5 TDI (BFC)		Diesel	FWD	2496	120	163	07.02-12.04	*	
2.5 TDI quattro (AKE)		Diesel	4WD	2496	132	180	09.01-12.04	*	
2.5 TDI quattro (BAU)		Diesel	4WD	2496	132	180	09.01-12.04	*	
2.5 TDI quattro (BDH)		Diesel	4WD	2496	132	180	09.01-12.04	*	
A4 III B7 Avant (8ED) 11.04-11.08							[CAMBIADO]:Break (Compact executive car-D Segment)		
1.6 (ALZ)		Gasolina	FWD	1595	75	102	11.04-06.08	*	
1.8 T (BFB)		Gasolina	FWD	1781	120	163	11.04-06.08	*	
1.8 T quattro (BFB)		Gasolina	4WD	1781	120	163	11.04-06.08	*	
2.0 (ALT)		Gasolina	FWD	1984	96	130	11.04-06.08	*	
2.0 TFSI (BPJ)		Gasolina	FWD	1984	125	170	10.06-06.08	*	
2.0 TFSI (BYK)		Gasolina	FWD	1984	125	170	10.06-06.08	*	
2.0 TFSI (BUL)		Gasolina	FWD	1984	162	220	06.05-06.08	*	
2.0 TFSI quattro (BUL)		Gasolina	4WD	1984	162	220	06.05-06.08	*	
1.9 TDI (BKE)		Diesel	FWD	1896	85	116	11.04-06.08	*	
1.9 TDI (BRB)		Diesel	FWD	1896	85	116	11.04-06.08	*	
2.0 TDI (BVG)		Diesel	FWD	1968	89	121	09.05-09.06	*	
2.0 TDI (BVF)		Diesel	FWD	1968	93	126	11.05-11.06	*	
2.0 TDI (BNA)		Diesel	FWD	1968	100	136	11.04-06.08	*	
2.0 TDI (BRF)		Diesel	FWD	1968	100	136	11.04-06.08	*	
2.0 TDI (BPW)		Diesel	FWD	1968	103	140	11.04-06.08	*	
2.0 TDI 16V (BLB)		Diesel	FWD	1968	103	140	11.04-06.08	*	
2.0 TDI 16V (BRE)		Diesel	FWD	1968	103	140	11.04-06.08	*	
2.0 TDI quattro (BPW)		Diesel	4WD	1968	103	140	01.06-06.08	*	
2.0 TDI (BVA)		Diesel	FWD	1968	120	163	06.06-06.08	*	
2.0 TDI quattro (BVA)		Diesel	4WD	1968	120	163	06.06-06.08	*	
2.0 TDI (BRD)		Diesel	FWD	1968	125	170	06.06-06.08	*	
2.0 TDI quattro (BRD)		Diesel	4WD	1968	125	170	06.06-06.08	*	
2.5 TDI (BDG)		Diesel	FWD	2496	120	163	11.04-05.06	*	
2.7 TDI (BSG)		Diesel	FWD	2698	120	163	11.05-03.08	*	
A4 III B7 (8HE) 01.02-01.10							Cabrío (Compact executive car-D Segment)		
1.8 T		Gasolina	FWD	1781	120	163	01.06-03.09	*	
2.0 TFSI 16V (BWE)		Gasolina	FWD	1984	147	200	01.06-03.09	*	
2.0 TFSI 16V (BWT)		Gasolina	FWD	1984	147	200	01.06-03.09	*	
2.0 TDI (BRC)		Diesel	FWD	1968	100	136	01.06-03.09	*	
2.0 TDI (BPW)		Diesel	FWD	1968	103	140	01.06-03.09	*	
A4 III B7 (8EC) 11.04-01.09							Sedán (Compact executive car-D Segment)		
1.6 (ALZ)		Gasolina	FWD	1595	75	102	11.04-06.08	*	
1.8 T (BFB)		Gasolina	FWD	1781	120	163	11.04-06.08	*	
1.8 T quattro (BFB)		Gasolina	4WD	1781	120	163	11.04-06.08	*	
1.8 T (AMB)		Gasolina	FWD	1781	125	170	01.05-12.05	*	
2.0 (ALT)		Gasolina	FWD	1984	96	130	11.04-06.08	*	
2.0 FSI (AWA)		Gasolina	FWD	1984	110	150	01.05-07.05	*	
2.0 TFSI (BPJ)		Gasolina	FWD	1984	125	170	10.06-06.08	*	
2.0 TFSI (BYK)		Gasolina	FWD	1984	125	170	10.06-06.08	*	
2.0 TFSI (BWT)		Gasolina	FWD	1984	149	203	09.06-06.08	*	
2.0 TFSI (BUL)		Gasolina	FWD	1984	162	220	06.05-06.08	*	
2.0 TFSI quattro (BUL)		Gasolina	4WD	1984	162	220	06.05-06.08	*	
3.0 (BBJ)		Gasolina	FWD	2976	160	218	11.04-05.06	*	
3.0 quattro (BBJ)		Gasolina	4WD	2976	160	218	11.04-07.06	*	
3.2 FSI (AUK)		Gasolina	FWD	3123	188	255	01.05-06.08	*	

LISTA DE APLICACIONES - BUYERS GUIDE

3.2 FSI (BKH)		Gasolina	FWD	3123	190	258	01.06-06.08	*
1.9 TDI (BKE)		Diesel	FWD	1896	85	116	11.04-06.08	*
1.9 TDI (BRB)		Diesel	FWD	1896	85	116	11.04-06.08	*
2.0 TDI (BVG)		Diesel	FWD	1968	89	121	09.05-09.06	*
2.0 TDI (BVF)		Diesel	FWD	1968	93	126	11.05-11.06	*
2.0 TDI (BNA)		Diesel	FWD	1968	100	136	11.04-06.08	*
2.0 TDI (BRF)		Diesel	FWD	1968	100	136	11.04-06.08	*
2.0 TDI (BPW)		Diesel	FWD	1968	103	140	11.04-06.08	*
2.0 TDI 16V (BLB)		Diesel	FWD	1968	103	140	11.04-06.08	*
2.0 TDI 16V (BRE)		Diesel	FWD	1968	103	140	11.04-06.08	*
2.0 TDI quattro (BPW)		Diesel	4WD	1968	103	140	01.06-06.08	*
2.0 TDI (BVA)		Diesel	FWD	1968	120	163	06.06-06.08	*
2.0 TDI quattro (BVA)		Diesel	4WD	1968	120	163	06.06-06.08	*
2.0 TDI (BRD)		Diesel	FWD	1968	125	170	06.06-06.08	*
2.0 TDI quattro (BRD)		Diesel	4WD	1968	125	170	06.06-06.08	*
2.7 TDI (BSG)		Diesel	FWD	2698	120	163	11.05-06.08	*
A6 C4 Avant (4A5) 06.94-01.98					[CAMBIADO]:Break (Executive car-E Segment)			
2.8 (ACK)		Gasolina	FWD	2771	142	193	12.95-12.97	*
A6 II C5 Avant (4B5, 4B6) 11.97-01.06					[CAMBIADO]:Break (Executive car-E Segment)			
1.8 (AFY)		Gasolina	FWD	1781	85	116	02.98-01.05	*
1.8 (AJP)		Gasolina	FWD	1781	92	125	12.97-01.05	*
1.8 (AQE)		Gasolina	FWD	1781	92	125	12.97-01.05	*
1.8 (ARH)		Gasolina	FWD	1781	92	125	12.97-01.05	*
1.8 T (AEB)		Gasolina	FWD	1781	110	150	12.97-01.05	*
1.8 T (ANB)		Gasolina	FWD	1781	110	150	12.97-01.05	*
1.8 T (APU)		Gasolina	FWD	1781	110	150	12.97-01.05	*
1.8 T (ARK)		Gasolina	FWD	1781	110	150	12.97-01.05	*
1.8 T (AWT)		Gasolina	FWD	1781	110	150	12.97-01.05	*
1.8 T quattro (AEB)		Gasolina	4WD	1781	110	150	12.97-01.05	*
1.8 T quattro (ANB)		Gasolina	4WD	1781	110	150	12.97-01.05	*
1.8 T quattro (APU)		Gasolina	4WD	1781	110	150	12.97-01.05	*
1.8 T quattro (ARK)		Gasolina	4WD	1781	110	150	12.97-01.05	*
1.8 T quattro (AWT)		Gasolina	4WD	1781	110	150	12.97-01.05	*
1.8 T (AJL)		Gasolina	FWD	1781	132	180	04.99-01.05	*
1.8 T quattro (AJL)		Gasolina	4WD	1781	132	180	12.97-01.05	*
2.0 (ALT)		Gasolina	FWD	1984	96	130	08.01-01.05	*
2.4 (ALW)		Gasolina	FWD	2393	100	136	07.98-01.05	*
2.4 (ARN)		Gasolina	FWD	2393	100	136	07.98-01.05	*
2.4 (ASM)		Gasolina	FWD	2393	100	136	07.98-01.05	*
2.4 (APC)		Gasolina	FWD	2393	115	156	12.97-01.05	*
2.4 (AJG)		Gasolina	FWD	2393	120	163	12.97-01.05	*
2.4 (AMM)		Gasolina	FWD	2393	120	163	12.97-01.05	*
2.4 (APZ)		Gasolina	FWD	2393	120	163	12.97-01.05	*
2.4 quattro (AJG)		Gasolina	4WD	2393	120	163	12.97-01.05	*
2.4 quattro (APZ)		Gasolina	4WD	2393	120	163	12.97-01.05	*
2.4 (AGA)		Gasolina	FWD	2393	121	165	12.97-01.05	*
2.4 (ALF)		Gasolina	FWD	2393	121	165	12.97-01.05	*
2.4 (AML)		Gasolina	FWD	2393	121	165	12.97-01.05	*
2.4 (APS)		Gasolina	FWD	2393	121	165	12.97-01.05	*
2.4 (ARJ)		Gasolina	FWD	2393	121	165	12.97-01.05	*

LISTA DE APLICACIONES - BUYERS GUIDE

2.4 quattro (AGA)	Gasolina	4WD	2393	121	165	12.97-01.05	*
2.4 quattro (ALF)	Gasolina	4WD	2393	121	165	12.97-01.05	*
2.4 quattro (AML)	Gasolina	4WD	2393	121	165	12.97-01.05	*
2.4 quattro (APS)	Gasolina	4WD	2393	121	165	12.97-01.05	*
2.4 quattro (ARJ)	Gasolina	4WD	2393	121	165	12.97-01.05	*
2.4 (BDV)	Gasolina	FWD	2393	125	170	08.01-01.05	*
2.4 quattro (BDV)	Gasolina	4WD	2393	125	170	08.01-01.05	*
2.7 T (AJK)	Gasolina	FWD	2671	169	230	02.99-01.05	*
2.7 T quattro (AJK)	Gasolina	4WD	2671	169	230	12.97-01.05	*
2.7 T quattro (AZA)	Gasolina	4WD	2671	169	230	12.97-01.05	*
2.7 T quattro (ARE)	Gasolina	4WD	2671	184	250	08.01-01.05	*
2.7 T quattro (BES)	Gasolina	4WD	2671	184	250	08.01-01.05	*
2.8 (ATX)	Gasolina	FWD	2771	140	190	07.99-01.05	*
2.8 (ACK)	Gasolina	FWD	2771	142	193	12.97-01.05	*
2.8 (ALG)	Gasolina	FWD	2771	142	193	12.97-01.05	*
2.8 (AMX)	Gasolina	FWD	2771	142	193	12.97-01.05	*
2.8 (APR)	Gasolina	FWD	2771	142	193	12.97-01.05	*
2.8 (AQD)	Gasolina	FWD	2771	142	193	12.97-01.05	*
2.8 quattro (ACK)	Gasolina	4WD	2771	142	193	12.97-01.05	*
2.8 quattro (ALG)	Gasolina	4WD	2771	142	193	12.97-01.05	*
2.8 quattro (AMX)	Gasolina	4WD	2771	142	193	12.97-01.05	*
2.8 quattro (APR)	Gasolina	4WD	2771	142	193	12.97-01.05	*
2.8 quattro (AQD)	Gasolina	4WD	2771	142	193	12.97-01.05	*
2.8 quattro (ATQ)	Gasolina	4WD	2771	142	193	12.97-01.05	*
3.0 (BBJ)	Gasolina	FWD	2976	160	218	06.01-01.05	*
3.0 quattro (BBJ)	Gasolina	4WD	2976	160	218	06.01-01.05	*
3.0 (ASN)	Gasolina	FWD	2976	162	220	08.01-01.05	*
3.0 quattro (ASN)	Gasolina	4WD	2976	162	220	08.01-01.05	*
3.0 quattro (AVK)	Gasolina	4WD	2976	164	223	09.01-12.04	*
3.7 (AQG)	Gasolina	FWD	3697	191	260	03.99-01.05	*
3.7 quattro (AQG)	Gasolina	4WD	3697	191	260	03.99-01.05	*
4.2 quattro (ARS)	Gasolina	4WD	4172	220	299	11.98-01.05	*
4.2 quattro (ASG)	Gasolina	4WD	4172	220	299	11.98-01.05	*
S6 quattro (ANK)	Gasolina	4WD	4172	250	340	09.99-01.05	*
S6 quattro (AQJ)	Gasolina	4WD	4172	250	340	09.99-01.05	*
S6 quattro (BBD)	Gasolina	4WD	4172	250	340	09.99-01.05	*
1.9 TDI (AVF)	Diesel	FWD	1896	96	130	08.01-01.05	*
1.9 TDI (AWX)	Diesel	FWD	1896	96	130	08.01-01.05	*
2.5 TDI (AFB)	Diesel	FWD	2496	110	150	12.97-01.05	*
2.5 TDI (AKN)	Diesel	FWD	2496	110	150	12.97-01.05	*
2.5 TDI quattro (AFB)	Diesel	4WD	2496	110	150	12.97-01.05	*
2.5 TDI quattro (AKN)	Diesel	4WD	2496	110	150	12.97-01.05	*
2.5 TDI (AYM)	Diesel	FWD	2496	114	155	08.01-01.05	*
2.5 TDI (BCZ)	Diesel	FWD	2496	120	163	07.02-01.05	*
2.5 TDI (BDG)	Diesel	FWD	2496	120	163	07.02-01.05	*
2.5 TDI (BFC)	Diesel	FWD	2496	120	163	07.02-01.05	*
2.5 TDI (AKE)	Diesel	FWD	2496	132	180	02.00-01.05	*
2.5 TDI (BAU)	Diesel	FWD	2496	132	180	02.00-01.05	*
2.5 TDI (BDH)	Diesel	FWD	2496	132	180	02.00-01.05	*
2.5 TDI quattro (AKE)	Diesel	4WD	2496	132	180	02.00-01.05	*
2.5 TDI quattro (BAU)	Diesel	4WD	2496	132	180	02.00-01.05	*

LISTA DE APLICACIONES - BUYERS GUIDE

2.5 TDI quattro (BDH)	Diesel	4WD	2496	132	180	02.00-01.05	*
A6 II C5 (4B2, 4B4) 01.97-12.05				Sedán (Executive car-E Segment)			
1.8 (AFY)	Gasolina	FWD	1781	85	116	05.97-01.05	*
1.8 (AJP)	Gasolina	FWD	1781	92	125	07.97-01.05	*
1.8 (AQE)	Gasolina	FWD	1781	92	125	07.97-01.05	*
1.8 (ARH)	Gasolina	FWD	1781	92	125	07.97-01.05	*
1.8 T (AEB)	Gasolina	FWD	1781	110	150	01.97-01.05	*
1.8 T (ANB)	Gasolina	FWD	1781	110	150	01.97-01.05	*
1.8 T (APU)	Gasolina	FWD	1781	110	150	01.97-01.05	*
1.8 T (ARK)	Gasolina	FWD	1781	110	150	01.97-01.05	*
1.8 T (AWT)	Gasolina	FWD	1781	110	150	01.97-01.05	*
1.8 T quattro (AEB)	Gasolina	4WD	1781	110	150	02.97-01.05	*
1.8 T quattro (ANB)	Gasolina	4WD	1781	110	150	02.97-01.05	*
1.8 T quattro (APU)	Gasolina	4WD	1781	110	150	02.97-01.05	*
1.8 T quattro (ARK)	Gasolina	4WD	1781	110	150	02.97-01.05	*
1.8 T quattro (AWT)	Gasolina	4WD	1781	110	150	02.97-01.05	*
1.8 T (AJL)	Gasolina	FWD	1781	132	180	12.97-01.05	*
1.8 T quattro (AJL)	Gasolina	4WD	1781	132	180	12.97-01.05	*
2.0 (ALT)	Gasolina	FWD	1984	96	130	08.01-01.05	*
2.4 (ALW)	Gasolina	FWD	2393	100	136	07.98-01.05	*
2.4 (ARN)	Gasolina	FWD	2393	100	136	07.98-01.05	*
2.4 (ASM)	Gasolina	FWD	2393	100	136	07.98-01.05	*
2.4 (APC)	Gasolina	FWD	2393	115	156	02.97-01.05	*
2.4 (AJG)	Gasolina	FWD	2393	120	163	02.97-01.05	*
2.4 (AMM)	Gasolina	FWD	2393	120	163	02.97-01.05	*
2.4 (APZ)	Gasolina	FWD	2393	120	163	02.97-01.05	*
2.4 quattro (AJG)	Gasolina	4WD	2393	120	163	02.97-01.05	*
2.4 quattro (APZ)	Gasolina	4WD	2393	120	163	02.97-01.05	*
2.4 (AGA)	Gasolina	FWD	2393	121	165	02.97-01.05	*
2.4 (ALF)	Gasolina	FWD	2393	121	165	02.97-01.05	*
2.4 (AML)	Gasolina	FWD	2393	121	165	02.97-01.05	*
2.4 (APS)	Gasolina	FWD	2393	121	165	02.97-01.05	*
2.4 (ARJ)	Gasolina	FWD	2393	121	165	02.97-01.05	*
2.4 quattro (AGA)	Gasolina	4WD	2393	121	165	02.97-01.05	*
2.4 quattro (ALF)	Gasolina	4WD	2393	121	165	02.97-01.05	*
2.4 quattro (AML)	Gasolina	4WD	2393	121	165	02.97-01.05	*
2.4 quattro (APS)	Gasolina	4WD	2393	121	165	02.97-01.05	*
2.4 quattro (ARJ)	Gasolina	4WD	2393	121	165	02.97-01.05	*
2.4 (BDV)	Gasolina	FWD	2393	125	170	08.01-01.05	*
2.4 quattro (BDV)	Gasolina	4WD	2393	125	170	08.01-01.05	*
2.7 T (AJK)	Gasolina	FWD	2671	169	230	02.99-01.05	*
2.7 T quattro (AJK)	Gasolina	4WD	2671	169	230	12.97-01.05	*
2.7 T quattro (AZA)	Gasolina	4WD	2671	169	230	12.97-01.05	*
2.7 T quattro (ARE)	Gasolina	4WD	2671	184	250	08.01-01.05	*
2.7 T quattro (BES)	Gasolina	4WD	2671	184	250	08.01-01.05	*
2.7	Gasolina	FWD	2671	187	254	05.01-07.04	*
2.7 quattro (APB)	Gasolina	4WD	2671	187	254	05.01-07.04	*
2.7 quattro (BEL)	Gasolina	4WD	2671	187	254	05.01-07.04	*
2.7	Gasolina	FWD	2671	195	265	11.03-07.04	*
2.8 quattro (AGE)	Gasolina	4WD	2771	132	180	01.98-04.00	*
2.8 (ATX)	Gasolina	FWD	2771	140	190	07.99-01.05	*

LISTA DE APLICACIONES - BUYERS GUIDE

2.8 quattro (ATX)		Gasolina	4WD	2771	140	190	07.99-05.01	*
2.8 (ACK)		Gasolina	FWD	2771	142	193	02.97-01.05	*
2.8 (ALG)		Gasolina	FWD	2771	142	193	02.97-01.05	*
2.8 (AMX)		Gasolina	FWD	2771	142	193	02.97-01.05	*
2.8 (APR)		Gasolina	FWD	2771	142	193	02.97-01.05	*
2.8 (AQD)		Gasolina	FWD	2771	142	193	02.97-01.05	*
2.8 (ATQ)		Gasolina	FWD	2771	142	193	02.97-01.05	*
2.8 quattro (ACK)		Gasolina	4WD	2771	142	193	02.97-01.05	*
2.8 quattro (ALG)		Gasolina	4WD	2771	142	193	02.97-01.05	*
2.8 quattro (AMX)		Gasolina	4WD	2771	142	193	02.97-01.05	*
2.8 quattro (APR)		Gasolina	4WD	2771	142	193	02.97-01.05	*
2.8 quattro (AQD)		Gasolina	4WD	2771	142	193	02.97-01.05	*
2.8 quattro (ATQ)		Gasolina	4WD	2771	142	193	02.97-01.05	*
3.0 (BBJ)		Gasolina	FWD	2976	160	218	06.01-01.05	*
3.0 quattro (BBJ)		Gasolina	4WD	2976	160	218	06.01-07.04	*
3.0 (ASN)		Gasolina	FWD	2976	162	220	08.01-01.05	*
3.0 quattro (ASN)		Gasolina	4WD	2976	162	220	08.01-01.05	*
3.0 quattro (AVK)		Gasolina	4WD	2976	164	223	08.01-12.04	*
3.7 (AQG)		Gasolina	FWD	3697	191	260	03.99-01.05	*
3.7 quattro (AQG)		Gasolina	4WD	3697	191	260	03.99-01.05	*
4.2 quattro (ARS)		Gasolina	4WD	4172	220	299	11.98-01.05	*
4.2 quattro (ART)		Gasolina	4WD	4172	220	299	11.98-01.05	*
4.2 quattro (ASG)		Gasolina	4WD	4172	220	299	11.98-01.05	*
4.2 quattro (AWN)		Gasolina	4WD	4172	220	299	11.98-01.05	*
S6 quattro (ANK)		Gasolina	4WD	4172	250	340	09.99-01.05	*
S6 quattro (AQJ)		Gasolina	4WD	4172	250	340	09.99-01.05	*
1.9 TDI (AVF)		Diesel	FWD	1896	96	130	08.01-01.05	*
1.9 TDI (AWX)		Diesel	FWD	1896	96	130	08.01-01.05	*
2.5 TDI (AFB)		Diesel	FWD	2496	110	150	07.97-01.05	*
2.5 TDI (AKN)		Diesel	FWD	2496	110	150	07.97-01.05	*
2.5 TDI quattro (AFB)		Diesel	4WD	2496	110	150	07.97-01.05	*
2.5 TDI quattro (AKN)		Diesel	4WD	2496	110	150	07.97-01.05	*
2.5 TDI (AYM)		Diesel	FWD	2496	114	155	08.01-01.05	*
2.5 TDI (BCZ)		Diesel	FWD	2496	120	163	07.02-01.05	*
2.5 TDI (BDG)		Diesel	FWD	2496	120	163	07.02-01.05	*
2.5 TDI (BFC)		Diesel	FWD	2496	120	163	07.02-01.05	*
2.5 TDI (AKE)		Diesel	FWD	2496	132	180	02.00-01.05	*
2.5 TDI (BAU)		Diesel	FWD	2496	132	180	02.00-01.05	*
2.5 TDI (BDH)		Diesel	FWD	2496	132	180	02.00-01.05	*
2.5 TDI quattro (AKE)		Diesel	4WD	2496	132	180	02.00-01.05	*
2.5 TDI quattro (BAU)		Diesel	4WD	2496	132	180	02.00-01.05	*
2.5 TDI quattro (BDH)		Diesel	4WD	2496	132	180	02.00-01.05	*
A6 C4 (4A2) 06.94-01.98					Sedán (Executive car-E Segment)			
2.8 (ACK)		Gasolina	FWD	2771	142	193	12.95-10.97	*
CITROËN								
C3 III (SX) 07.16-					[CAMBIADO]:Fastback (Supermini car-B Segment)			
1.2 VTi 68 (HMM (EB2FAD))		Gasolina	FWD	1199	50	68	07.16-	*
1.2 VTi 68 (HMP (EB2FB))		Gasolina	FWD	1199	50	68	07.16-	*
1.2 VTi 82 (HMZ (EB2F))		Gasolina	FWD	1199	60	82	07.16-	*
1.2 PureTech 82 (HMR (EB2FA))		Gasolina	FWD	1199	61	83	05.18-	*

LISTA DE APLICACIONES - BUYERS GUIDE

1.2 THP 110 (SXHNPS, SXHNZT, SXHNZ6) (HNP (EB2ADT))	Gasolina	FWD	1199	81	110	07.16-	*
1.2 THP 110 (SXHNPS, SXHNZT, SXHNZ6) (HNV (EB2DTM))	Gasolina	FWD	1199	81	110	07.16-	*
1.2 THP 110 (SXHNPS, SXHNZT, SXHNZ6) (HNZ (EB2DT))	Gasolina	FWD	1199	81	110	07.16-	*
1.6 VTi (SXNFPT) (NFP (EC5))	Gasolina	FWD	1587	85	116	02.17-	*
1.5 BlueHDi 100 (SXYHYP, SXYHTU) (YHY (DV5RD))	Diesel	FWD	1499	75	102	05.18-	*
1.6 BlueHDi 75 (BHW (DV6FE))	Diesel	FWD	1560	55	75	07.16-05.18	*
1.6 HDi (9HJ (DV6DM))	Diesel	FWD	1560	66	90	09.16-	*
1.6 HDi (9HJ(DV6DM))	Diesel	FWD	1560	66	90	09.16-	*
1.6 BlueHDi 100 (BHY (DV6FD))	Diesel	FWD	1560	73	99	07.16-05.18	*
C3 III Van (SX_, SY_) 07.16-	Furgón/hatchback (Supermini car-B Segment)						
PureTech 82 (HMR (EB2FA))	Gasolina	FWD	1199	61	83	03.19-	*
PureTech 110 (HNZ (EB2DT))	Gasolina	FWD	1199	81	110	03.19-	*
BlueHDi 100 (YHY (DV5RD))	Diesel	FWD	1499	75	102	03.19-	*
BlueHDi 75 (BHW (DV6FE))	Diesel	FWD	1560	55	75	03.19-	*
BlueHDi 100 (BHY (DV6FD))	Diesel	FWD	1560	73	99	03.19-	*
C4 CACTUS 09.14-	[CAMBIADO]:Fastback (Compact SUV-J Segment)						
1.2 VTi 75 / PureTech 75 (HMU (EB2D))	Gasolina	FWD	1199	55	75	09.14-	*
1.2 VTi 75 / PureTech 75 (HMU (EB2FD))	Gasolina	FWD	1199	55	75	09.14-	*
1.2 VTi 82 (HMZ (EB2F))	Gasolina	FWD	1199	60	82	09.14-	*
1.2 THP 110 (HNP (EB2ADT))	Gasolina	FWD	1199	81	110	09.14-	*
1.2 THP 110 (HNV (EB2DTM))	Gasolina	FWD	1199	81	110	09.14-	*
1.2 THP 110 (HNZ (EB2DT))	Gasolina	FWD	1199	81	110	09.14-	*
1.6 VTi 115 (EC5)	Gasolina	FWD	1587	85	116	01.19-	*
TPH 165 (5GY (EP6FDTM))	Gasolina	FWD	1598	121	165	01.19-	*
1.6 Feel, Feel Pack, Feel Business, Live Bussiness Flex (EC5)	Gasol./Etanol	FWD	1587	87	118	01.19-	*
1.6 Feel, Live Flex (EC5)	Gasol./Etanol	FWD	1587	90	122	01.19-	*
1.6 Shine Turbo, Shine Pack Turbo Flex (5GY (EP6FDTM))	Gasol./Etanol	FWD	1598	127	173	01.19-	*
1.6 HDi 90 (9HJ (DV6DTEDM))	Diesel	FWD	1560	68	92	09.14-	*
1.6 HDi 90 (9HP (DV6D))	Diesel	FWD	1560	68	92	09.14-	*
1.6 HDi 90 (9HP (DV6DTEDE))	Diesel	FWD	1560	68	92	09.14-	*
1.6 BlueHDi 100 (BHY (DV6FD))	Diesel	FWD	1560	73	99	09.14-06.18	*
MG							
MG 350 (AP11) 01.11-	Sedán (Compact car-C Segment)						
1.5 (15S4U)	Gasolina	FWD	1498	78	106	01.11-	*
MG 5 03.12-	[CAMBIADO]:Fastback (Supermini car-B Segment)						
1.5 (15S4U)	Gasolina	FWD	1498	78	106	03.12-	*
MG GS 05.16-	SUV (Compact SUV-J Segment)						
1.5 (15E4E)	Gasolina	FWD	1490	122	166	05.16-	*
MG ZS SUV (AZS1) 10.17-	SUV (Subcompact SUV-B Segment)						
1.0 T-GDI (10E4E)	Gasolina	FWD	999	82	111	10.17-	*
1.5 VTi (15S4C)	Gasolina	FWD	1498	78	106	10.17-	*
PEUGEOT							
207 SW (WK_) 02.07-	[CAMBIADO]:Break (Supermini car-B Segment)						
1.6 HDi (9HP (DV6DTEDE))	Diesel	FWD	1560	68	92	11.09-12.13	*

LISTA DE APLICACIONES - BUYERS GUIDE

208 (CA_, CC_) 03.12-					[CAMBIADO]:Fastback (Supermini car-B Segment)			
1.0 VTi (ZMZ (EB0))		Gasolina	FWD	999	50	68	03.12-12.19	*
1.2 VTi 68 / PureTech 68 (HMM (EB2FAD))		Gasolina	FWD	1199	50	68	08.16-12.19	*
1.2 VTi 68 / PureTech 68 (HMP (EB2FB))		Gasolina	FWD	1199	50	68	08.16-12.19	*
1.2 VTi 82 (HMZ (EB2))		Gasolina	FWD	1199	60	82	03.12-12.19	*
1.2 VTi 82 (HMZ (EB2F))		Gasolina	FWD	1199	60	82	03.12-12.19	*
1.2 PureTech 82 (HMR (EB2FA))		Gasolina	FWD	1199	61	82	03.18-12.19	*
1.2 PureTech 82 (HMZ (EB2F))		Gasolina	FWD	1199	61	82	03.18-12.19	*
1.2 THP 110 (HNP (EB2ADT))		Gasolina	FWD	1199	81	110	01.13-12.19	*
1.2 THP 110 (HNV (EB2DTM))		Gasolina	FWD	1199	81	110	01.13-12.19	*
1.2 THP 110 (HNZ (EB2DT))		Gasolina	FWD	1199	81	110	01.13-12.19	*
1.4 VTi (8FS (EP3))		Gasolina	FWD	1397	70	95	03.12-12.19	*
1.4 VTi (EP3C)		Gasolina	FWD	1397	70	95	03.12-12.19	*
1.4		Gasolina	FWD	1449	66	90	01.13-	*
1.6 (EC5F)		Gasolina	FWD	1587	85	116	01.13-12.19	*
1.6 Flex		Gasolina	FWD	1587	90	122	01.13-	*
1.6 VTi (5FS (EP6C))		Gasolina	FWD	1598	88	120	03.12-12.19	*
1.6 (5FS (EP6C))		Gasolina	FWD	1598	89	121	09.16-	*
1.6 THP (5FV (EP6CDT))		Gasolina	FWD	1598	115	156	03.12-12.19	*
1.6 THP 165 (5GZ (EP6FDT))		Gasolina	FWD	1598	121	165	03.15-12.19	*
1.6 GTi (CA5FU8) (5FU (EP6CDTX))		Gasolina	FWD	1598	147	200	08.12-12.19	*
1.6 GTi (5GR (EP6FDTX))		Gasolina	FWD	1598	153	208	10.14-12.19	*
1.2 GPL (HMZ (EB2F))		Gasol./Gas (LPG)	FWD	1199	60	82	06.15-12.19	*
1.4 GPL (EP3C)		Gasol./Gas (LPG)	FWD	1397	70	95	10.13-12.19	*
1.2 Active Pack, Allure, Flex (HMZ (EB2F))		Gasol./Etanol	FWD	1199	66	90	02.16-	*
1.5 Flex		Gasol./Etanol	FWD	1449	68	92	01.13-12.16	*
1.6 GT Turbo Flex (5FM (EP6CDTM))		Gasol./Etanol	FWD	1598	127	173	02.16-	*
1.4 HDi (8HP (DV4C))		Diesel	FWD	1398	50	68	03.12-12.19	*
1.4 HDi (8HR (DV4C))		Diesel	FWD	1398	50	68	03.12-12.19	*
1.6 HDi / BlueHdi 75 (9HK (DV6ETEDM))		Diesel	FWD	1560	55	75	01.13-12.19	*
1.6 HDi / BlueHdi 75 (BHW (DV6FE))		Diesel	FWD	1560	55	75	01.13-12.19	*
1.6 HDi (9HJ (DV6DTEDM))		Diesel	FWD	1560	68	92	03.12-12.19	*
1.6 HDi (9HP (DV6DTED))		Diesel	FWD	1560	68	92	03.12-12.19	*
1.6 HDi (9HP (DV6DTED))		Diesel	FWD	1560	69	94	09.16-	*
1.6 BlueHdi 100 (BHY (DV6FD))		Diesel	FWD	1560	73	100	01.15-12.19	*
1.6 e-HDi (9HR (DV6C))		Diesel	FWD	1560	82	112	07.15-12.19	*
1.6 HDi (9HD (DV6C))		Diesel	FWD	1560	84	114	03.12-12.19	*
1.6 HDi (BHX (DV6FC))		Diesel	FWD	1560	85	116	01.15-12.19	*
1.6 BlueHdi 120 (BHZ (DV6FC))		Diesel	FWD	1560	88	120	01.15-12.19	*
208 (CR_) 02.13-12.19					Furgón/hatchback (LCVs-N1 Segment)			
1.2 VTi 68 / PureTech 68 (CRHMP6, CRHMM6) (HMM (EB2FAD))		Gasolina	FWD	1199	50	68	06.15-12.19	*
1.2 VTi 68 / PureTech 68 (CRHMP6, CRHMM6) (HMP (EB2FB))		Gasolina	FWD	1199	50	68	06.15-12.19	*
1.2 VTi 82 / PureTech 82 (CRHMZ6, CRHMRP) (HMR (EB2FA))		Gasolina	FWD	1199	60	82	06.15-12.19	*
1.2 VTi 82 / PureTech 82 (CRHMZ6, CRHMRP) (HMZ (EB2))		Gasolina	FWD	1199	60	82	06.15-12.19	*
1.2 VTi 82 / PureTech 82 (CRHMZ6, CRHMRP) (HMZ (EB2F))		Gasolina	FWD	1199	60	82	06.15-12.19	*

LISTA DE APLICACIONES - BUYERS GUIDE

405 (15E) 06.87-08.92					[CAMBIADO]:Break (Large family car-D Segment)			
1.4 (K5A (TU3))		Gasolina	FWD	1360	47	64	05.88-07.92	*
1.6 (B1E (XU51C))		Gasolina	FWD	1580	53	72	10.88-08.92	*
1.6 (BAZ (XU5CP))		Gasolina	FWD	1580	55	75	10.88-08.92	*
1.6 (BDY (XU5M2Z))		Gasolina	FWD	1580	65	88	10.88-08.92	*
1.6 (BDY (XU5M3Z))		Gasolina	FWD	1580	65	88	10.88-08.92	*
1.6 (BDZ (XU5M))		Gasolina	FWD	1580	65	88	10.88-08.92	*
1.6 SRi 4x4 (BDZ (XU5M))		Gasolina	4WD	1580	65	88	04.88-07.92	*
1.6 (BDZ (XU5M))		Gasolina	FWD	1580	66	90	10.88-08.92	*
1.6 (B2A (XU52C/K))		Gasolina	FWD	1580	68	92	05.88-07.92	*
1.6 (BDZ (XU5M))		Gasolina	FWD	1580	69	94	10.88-08.92	*
1.9 (D2C (XU92C))		Gasolina	FWD	1905	70	95	10.88-08.92	*
1.9 (DFZ (XU9J1))		Gasolina	FWD	1905	72	98	05.88-07.92	*
1.9 (DFZ (XU9J1))		Gasolina	FWD	1905	77	105	10.88-08.92	*
1.9 A las 4 ruedas (DFZ (XU9J1))		Gasolina	4WD	1905	77	105	09.88-07.92	*
1.9 (DDZ (XU9M))		Gasolina	FWD	1905	80	109	10.88-08.92	*
1.9 4x4 (DDZ (XU9M))		Gasolina	4WD	1905	80	109	10.88-08.92	*
1.9 (DKZ (XU9JAZ))		Gasolina	FWD	1905	88	120	10.88-08.92	*
1.9 4x4 (DKZ (XU9JAZ))		Gasolina	4WD	1905	88	120	07.90-07.92	*
1.9		Gasolina	FWD	1905	108	147	07.90-07.92	*
1.9 (D6C (XU9J4))		Gasolina	FWD	1905	116	158	06.87-07.92	*
1.9 A las 4 ruedas (D6C (XU9J4))		Gasolina	4WD	1905	116	158	06.87-07.92	*
1.8 D		Diesel	FWD	1769	44	60	04.90-07.92	*
1.8 GLD		Diesel	FWD	1769	44	60	04.90-07.92	*
1.8 DT 4x4 (A8A (XUD7TE))		Diesel	4WD	1769	66	90	05.90-07.92	*
1.8 TD (A8A (XUD7TE))		Diesel	FWD	1769	66	90	10.88-08.92	*
1.8 TD (AJZ (XUD7TEY))		Diesel	FWD	1769	66	90	10.88-08.92	*
1.9 D (DJZ (XUD9A))		Diesel	FWD	1905	47	64	10.88-08.92	*
1.9 D (D9B (XUD9A))		Diesel	FWD	1905	51	69	10.88-08.92	*
1.9 D (DJY (XUD9A))		Diesel	FWD	1905	51	69	10.88-08.92	*
405 (15_) 09.89-07.92					[CAMBIADO]:Furgón/Break (Large family car-D Segment)			
1.8 D (A9A (XUD7))		Diesel	FWD	1769	44	60	04.90-07.92	*
1.9 D (XUD9)		Diesel	FWD	1905	51	69	09.89-07.92	*
405 (15B) 01.87-12.93					Sedán (Large family car-D Segment)			
1.4 (K5A (TU3))		Gasolina	FWD	1360	47	64	01.87-07.92	*
1.4		Gasolina	FWD	1360	50	68	06.87-07.92	*
1.6 (B1E (XU51C))		Gasolina	FWD	1580	53	72	07.87-12.92	*
1.6 (B1E (XU51C))		Gasolina	FWD	1580	55	75	07.87-06.88	*
1.6 (BAZ (XU5CP))		Gasolina	FWD	1580	55	75	07.87-06.88	*
1.6 (BDY (XU5M2Z))		Gasolina	FWD	1580	65	88	07.87-12.92	*
1.6 (BDZ (XU5M))		Gasolina	FWD	1580	65	88	07.87-12.92	*
1.6 4x4 (BDZ (XU5M))		Gasolina	4WD	1580	65	88	04.88-07.92	*
1.6 (BDZ (XU5M))		Gasolina	FWD	1580	66	90	10.89-12.92	*
1.6 (B2A (XU52C/K))		Gasolina	FWD	1580	69	94	01.87-12.92	*
1.9 (D2C (XU92C))		Gasolina	FWD	1905	70	95	07.87-12.92	*
1.9		Gasolina	FWD	1905	72	98	06.87-07.92	*
1.9 Injection (DFZ (XU9J1))		Gasolina	FWD	1905	77	105	07.87-12.92	*
1.9 Injection 4x4 (DFZ (XU9J1))		Gasolina	4WD	1905	77	105	06.87-07.92	*
1.9 (DDZ (XU9M))		Gasolina	FWD	1905	80	109	06.87-07.92	*
1.9 4x4 (DDZ (XU9M))		Gasolina	4WD	1905	80	109	07.88-12.92	*

LISTA DE APLICACIONES - BUYERS GUIDE

1.9 (DKZ (XU9JAZ))		Gasolina	FWD	1905	88	120	06.87-07.92	*	
1.9 4x4 (DKZ (XU9JAZ))		Gasolina	4WD	1905	88	120	06.87-07.92	*	
1.9 (D6A (XU9J2))		Gasolina	FWD	1905	90	122	01.89-12.92	*	
1.9 (D6A (XU9J2))		Gasolina	FWD	1905	93	126	07.87-12.93	*	
1.9 4x4		Gasolina	4WD	1905	93	126	07.90-07.92	*	
1.9 Sport MI-16 (DFW (XU9J4Z))		Gasolina	FWD	1905	108	147	06.87-07.92	*	
1.9 SPort MI-16 4x4 (DFW (XU9J4Z))		Gasolina	4WD	1905	108	147	06.87-07.92	*	
1.9 4x4 (D6C (XU9J4))		Gasolina	4WD	1905	116	158	06.87-07.92	*	
1.9 Sport MI-16 (D6C (XU9J4))		Gasolina	FWD	1905	116	158	07.87-11.92	*	
1.8 D 4x4 (A8A (XUD7TE))		Diesel	4WD	1769	66	90	10.87-07.92	*	
1.8 Turbo Diesel (A8A (XUD7TE))		Diesel	FWD	1769	66	90	03.88-12.92	*	
1.8 Turbo Diesel (AJZ (XUD7TEY))		Diesel	FWD	1769	66	90	03.88-12.92	*	
1.9 Diesel (DJZ (XUD9A))		Diesel	FWD	1905	47	64	07.88-09.92	*	
1.9 Diesel (D9B (XUD9A))		Diesel	FWD	1905	51	69	03.88-12.92	*	
405 II (4E) 08.92-10.98							[CAMBIADO]:Break (Large family car-D Segment)		
1.9 (D6A (XU9J2))		Gasolina	FWD	1905	80	109	08.92-12.95	*	
2.0 (RFX (XU10J2))		Gasolina	FWD	1998	89	121	08.92-10.96	*	
2.0 4x4 (RFX (XU10J2))		Gasolina	4WD	1998	89	121	08.92-10.96	*	
2.0 4x4 (RGZ (XU10J4TE/Z))		Gasolina	4WD	1998	144	196	08.92-12.95	*	
1.9 D (DJZ (XUD9))		Diesel	FWD	1905	47	64	08.92-10.96	*	
1.9 D (DJY (XUD9A))		Diesel	FWD	1905	50	68	06.94-10.96	*	
1.9 D (D9B (XUD9A))		Diesel	FWD	1905	52	71	08.92-10.98	*	
1.9 TD (DHY (XUD9TE))		Diesel	FWD	1905	69	93	08.92-10.96	*	
405 II (4E_) 08.92-12.95							[CAMBIADO]:Furgón/Break (Large family car-D Segment)		
1.9 D (XUD9)		Diesel	FWD	1905	51	69	08.92-12.95	*	
405 II (4B) 01.92-12.99							Sedán (Large family car-D Segment)		
1.6		Gasolina	FWD	1587	80	109	08.92-05.97	*	
1.9 (DKZ (XU9JAZ))		Gasolina	FWD	1905	90	122	01.92-11.97	*	
2.0 (RFX (XU10J2))		Gasolina	FWD	1998	89	121	08.92-10.95	*	
2.0 X4 (RFX (XU10J2))		Gasolina	4WD	1998	89	121	08.92-10.95	*	
2.0 16V (RFT (XU10J4))		Gasolina	FWD	1998	110	150	06.94-10.95	*	
2.0 MI-16 (RFY (XU10J4Z))		Gasolina	FWD	1998	112	152	08.92-10.95	*	
2.0 (RFT (XU10J4))		Gasolina	FWD	1998	116	158	01.97-12.99	*	
2.0 T 16 X4 (RGZ (XU10J4TE/Z))		Gasolina	4WD	1998	144	196	08.92-10.95	*	
1.9 D (DJZ (XUD9))		Diesel	FWD	1905	47	64	08.92-10.95	*	
1.9 D (DJY (XUD9A))		Diesel	FWD	1905	50	68	06.94-10.95	*	
1.9 D (D9B (XUD9A))		Diesel	FWD	1905	52	71	08.97-11.99	*	
1.9 TD (XUD9TE)		Diesel	FWD	1905	69	94	08.92-05.97	*	
RENAULT									
CLIO II / EURO CLIO (BR0/1, CR0/1) 01.05-							[CAMBIADO]:Fastback (Supermini car-B Segment)		
1.2 16V (D4F 764)		Gasolina	FWD	1149	43	58	06.06-08.10	*	
1.2 16V (BR0R, BR1D, BR1L, CR0R) (D4F 740)		Gasolina	FWD	1149	48	65	06.05-12.14	*	
1.2 16V (BR02, BR0J, BR11, CR02, CR0J, CR11) (D4F 706)		Gasolina	FWD	1149	55	75	06.05-12.14	*	
1.2 16V (BR02, BR0J, BR11, CR02, CR0J, CR11) (D4F 740)		Gasolina	FWD	1149	55	75	06.05-12.14	*	
1.2 16V (BR02, BR0J, BR11, CR02, CR0J, CR11) (D4F 764)		Gasolina	FWD	1149	55	75	06.05-12.14	*	
1.2 (BR01, BR03, BR0E, CR0E) (D4F 764)		Gasolina	FWD	1149	57	78	10.05-12.12	*	
1.2 16V (D4F 764)		Gasolina	FWD	1149	58	78	06.05-12.14	*	
1.2 16V (BR0P, CR0P) (D4F 784)		Gasolina	FWD	1149	74	101	05.07-12.14	*	

LISTA DE APLICACIONES - BUYERS GUIDE

1.2 16V Hi-Flex (BR1U, CR1U) (D4F 740)		Gasol./Gas (LPG)	FWD	1149	55	75	07.08-12.14	*	
1.2 Ethanol (CR1U, BR1U) (D4F 742)		Gasol./Etanol	FWD	1149	55	75	07.08-12.12	*	
CLIO III (SB_, SR_) 06.05-							Furgón/hatchback (LCVs-N1 Segment)		
1.2 (SR0J) (D4F 740)		Gasolina	FWD	1149	55	75	11.05-12.14	*	
1.2 (SR0P) (D4F 784)		Gasolina	FWD	1149	74	101	11.07-12.11	*	
1.2 Hi-Flex (SR1U) (D4F 742)		Gasol./Etanol	FWD	1149	58	79	11.07-12.09	*	
CLIO III Grandtour (KR0/1_) 11.07-							[CAMBIADO]:Break (Supermini car-B Segment)		
1.2 16V (KR02, KR0J) (D4F 740)		Gasolina	FWD	1149	55	75	02.08-12.14	*	
1.2 16V (KR0E) (D4F 764)		Gasolina	FWD	1149	58	78	11.07-12.14	*	
1.2 16V (KR0P) (D4F 784)		Gasolina	FWD	1149	74	101	11.07-12.12	*	
1.2 16V (D4F 786)		Gasolina	FWD	1149	76	103	03.10-12.12	*	
1.2 16V Hi-Flex (KR0S) (D4F 740)		Gasol./Etanol	FWD	1149	55	75	07.08-12.14	*	
1.2 16V Hi-Flex (KR1U) (D4F 742)		Gasol./Etanol	FWD	1149	58	79	11.07-12.12	*	
MEGANE Grandtour (KA0/1_) 03.99-08.03							[CAMBIADO]:Break (Compact car-C Segment)		
1.4 16V (KA0D, KA1H, KA0W, KA10) (K4J 714)		Gasolina	FWD	1390	70	95	03.99-08.03	*	
1.4 16V (KA0D, KA1H, KA0W, KA10) (K4J 750)		Gasolina	FWD	1390	70	95	03.99-08.03	*	
1.6 16V (KA0B, KA04, KA11) (K4M 700)		Gasolina	FWD	1598	79	107	03.99-08.03	*	
1.6 16V (KA0B, KA04, KA11) (K4M 701)		Gasolina	FWD	1598	79	107	03.99-08.03	*	
1.6 16V (KA0B, KA04, KA11) (K4M 708)		Gasolina	FWD	1598	79	107	03.99-08.03	*	
1.6 16V (KA0B, KA04, KA11) (K4M 709)		Gasolina	FWD	1598	79	107	03.99-08.03	*	
1.8 16V (KA0S, KA12, KA1A, KA1M, KA1R) (F4P 720)		Gasolina	FWD	1783	85	115	01.01-08.03	*	
1.8 16V (KA0S, KA12, KA1A, KA1M, KA1R) (F4P 722)		Gasolina	FWD	1783	85	115	01.01-08.03	*	
1.6 BiFuel (K4M 704)		Gasol./Gas (LPG)	FWD	1598	80	109	03.99-09.00	*	
1.9 dTi (KA1U) (F9Q 744)		Diesel	FWD	1870	59	80	02.01-08.03	*	
1.9 dTi (KA0N) (F9Q 731)		Diesel	FWD	1870	72	98	03.99-02.01	*	
1.9 dTi (KA0N) (F9Q 736)		Diesel	FWD	1870	72	98	03.99-02.01	*	
1.9 dCi (KA05, KA1F) (F9Q 732)		Diesel	FWD	1870	75	102	02.01-08.03	*	
1.9 dCi (KA05, KA1F) (F9Q 733)		Diesel	FWD	1870	75	102	02.01-08.03	*	
1.9 dCi (KA05, KA1F) (F9Q 738)		Diesel	FWD	1870	75	102	02.01-08.03	*	
1.9 dCi (F9Q 732)		Diesel	FWD	1870	77	105	03.99-09.00	*	
MEGANE III CC (EZ0/1_) 06.10-							Cabrío (Compact car-C Segment)		
2.0 Turbo (F4R 874)		Gasolina	FWD	1998	195	265	10.11-	*	
MEGANE Kombi van (KA_) 02.00-07.03							[CAMBIADO]:Furgón/Break (Compact car-C Segment)		
1.4 (KA0D) (K4J 714)		Gasolina	FWD	1390	70	95	04.01-07.03	*	
1.4 (KA0D) (K4J 750)		Gasolina	FWD	1390	70	95	04.01-07.03	*	
1.6 (KA0B, KA04) (K4M 700)		Gasolina	FWD	1598	79	107	04.01-07.03	*	
1.6 (KA0B, KA04) (K4M 701)		Gasolina	FWD	1598	79	107	04.01-07.03	*	
1.6 (KA0B, KA04) (K4M 708)		Gasolina	FWD	1598	79	107	04.01-07.03	*	
1.6 (KA0B, KA04) (K4M 709)		Gasolina	FWD	1598	79	107	04.01-07.03	*	
1.8 (KA1M) (F4P 722)		Gasolina	FWD	1783	85	116	04.01-07.03	*	
1.6 BiFuel (KA0B) (K4M 712)		Gasol./Gas (LPG)	FWD	1598	79	107	04.01-07.03	*	
1.6 BiFuel (KA04) (K4M 704)		Gasol./Gas (LPG)	FWD	1598	80	109	04.01-07.03	*	
1.9 dTi (KA1U) (F9Q 744)		Diesel	FWD	1870	59	80	04.01-07.03	*	
1.9 dCi (KA05) (F9Q 732)		Diesel	FWD	1870	75	102	04.01-07.03	*	

LISTA DE APLICACIONES - BUYERS GUIDE

1.9 dCi (KA05) (F9Q 733)		Diesel	FWD	1870	75	102	04.01-07.03	*
1.9 dCi (KA05) (F9Q 732)		Diesel	FWD	1870	77	105	04.01-07.03	*
1.9 dCi (KA05) (F9Q 733)		Diesel	FWD	1870	77	105	04.01-07.03	*
MEGANE Scenic (JA0/1_) 10.96-12.01				MPV (Compact MPV-M1 Segment)				
1.4 i (JA0E) (E7J 764)		Gasolina	FWD	1390	55	75	01.97-09.99	*
1.6 i (JA0L) (K7M 720)		Gasolina	FWD	1598	55	75	01.97-09.99	*
1.6 16V (JA0B, JA04, JA11, JA00) (K4M 700)		Gasolina	FWD	1598	79	107	04.98-10.99	*
1.6 16V (JA0B, JA04, JA11, JA00) (K4M 701)		Gasolina	FWD	1598	79	107	04.98-10.99	*
1.6 16V (JA0B, JA04, JA11, JA00) (K4M 704)		Gasolina	FWD	1598	79	107	04.98-10.99	*
1.6 16V (JA0B, JA04, JA11, JA00) (K4M 708)		Gasolina	FWD	1598	79	107	04.98-10.99	*
2.0 i (JA02, JA0G) (F3R 791)		Gasolina	FWD	1998	80	109	01.99-09.99	*
2.0 i (JA02, JA0G) (F3R 796)		Gasolina	FWD	1998	80	109	01.99-09.99	*
2.0 i (JA0G) (F3R 750)		Gasolina	FWD	1998	84	114	01.97-09.99	*
2.0 i (JA0G) (F3R 751)		Gasolina	FWD	1998	84	114	01.97-09.99	*
2.0 RXE 4x4 (F3R 750)		Gasolina	4WD	1998	84	114	05.97-10.99	*
2.0 RT/RXE (F3R 798)		Gasolina	FWD	1998	85	115	01.99-12.01	*
1.9 D (JA0J) (F8Q 790)		Diesel	FWD	1870	47	64	03.97-09.99	*
1.9 dT (JA0K, JA0Y) (F8Q 784)		Diesel	FWD	1870	66	90	01.97-09.99	*
1.9 dT (JA0K, JA0Y) (F8Q 786)		Diesel	FWD	1870	66	90	01.97-09.99	*
1.9 dT (JA0Y) (F8Q 784)		Diesel	FWD	1870	69	94	03.97-08.99	*
1.9 dTi (JA0N) (F9Q 730)		Diesel	FWD	1870	72	98	04.97-09.99	*
1.9 dTi (JA0N) (F9Q 734)		Diesel	FWD	1870	72	98	04.97-09.99	*
SCÉNIC (JA0/1_, FA0_) 08.99-07.10				MPV (Compact MPV-M1 Segment)				
1.4 16V (JA0D, JA1H, Ja0W, JA10) (K4J 714)		Gasolina	FWD	1390	70	95	09.99-08.03	*
1.4 16V (JA0D, JA1H, Ja0W, JA10) (K4J 750)		Gasolina	FWD	1390	70	95	09.99-08.03	*
1.6 (K4M 708)		Gasolina	FWD	1598	75	102	03.01-08.03	*
1.6 (K4M 709)		Gasolina	FWD	1598	75	102	03.01-08.03	*
1.6 (JA00, JA16, JA15, JA19, JA1V, JA2B, JA2C, JA0B,...) (K4M 700)		Gasolina	FWD	1598	79	107	09.99-09.03	*
1.6 (JA00, JA16, JA15, JA19, JA1V, JA2B, JA2C, JA0B,...) (K4M 706)		Gasolina	FWD	1598	79	107	09.99-09.03	*
1.6 (JA00, JA16, JA15, JA19, JA1V, JA2B, JA2C, JA0B,...) (K4M 707)		Gasolina	FWD	1598	79	107	09.99-09.03	*
1.6 (JA00, JA16, JA15, JA19, JA1V, JA2B, JA2C, JA0B,...) (K4M 776)		Gasolina	FWD	1598	79	107	09.99-09.03	*
1.6 (JA00)		Gasolina	FWD	1598	81	110	06.01-09.03	*
1.8 16V (JA12, JA1R, JA1M, JA1A) (F4P 720)		Gasolina	FWD	1783	85	115	01.01-08.03	*
1.8 16V (JA12, JA1R, JA1M, JA1A) (F4P 722)		Gasolina	FWD	1783	85	115	01.01-08.03	*
1.8 4x4 (F4P 722)		Gasolina	4WD	1783	85	116	07.00-04.01	*
2.0		Gasolina	FWD	1998	99	135	09.00-09.03	*
2.0 16V (JA1B, JA1D, JA0C) (F4R 740)		Gasolina	FWD	1998	102	139	07.00-08.03	*
2.0 16V (JA1B, JA1D, JA0C) (F4R 741)		Gasolina	FWD	1998	102	139	07.00-08.03	*
2.0 16V (JA1B, JA1D, JA0C) (F4R 746)		Gasolina	FWD	1998	102	139	07.00-08.03	*
2.0 16V (JA1D, JA17) (F4R 740)		Gasolina	FWD	1998	103	140	09.99-08.03	*
2.0 16V (JA1D, JA17) (F4R 741)		Gasolina	FWD	1998	103	140	09.99-08.03	*
2.0 16V (JA1D, JA17) (F4R 744)		Gasolina	FWD	1998	103	140	09.99-08.03	*
2.0 16V (JA1D, JA17) (F4R 747)		Gasolina	FWD	1998	103	140	09.99-08.03	*
1.6 BiFuel		Gasol./Gas (LPG)	FWD	1598	75	102	03.01-08.03	*
1.6 BiFuel (JA04) (K4M 704)		Gasol./Gas (LPG)	FWD	1598	79	107	09.99-04.01	*
1.6 BiFuel (JA04) (K4M 712)		Gasol./Gas (LPG)	FWD	1598	79	107	09.99-04.01	*
1.9 dTi (JA1U) (F9Q 744)		Diesel	FWD	1870	59	80	02.01-08.03	*
1.9 dTi (JA0N) (F9Q 731)		Diesel	FWD	1870	72	98	09.99-08.03	*

LISTA DE APLICACIONES - BUYERS GUIDE

1.9 dTi (JA0N) (F9Q 734)		Diesel	FWD	1870	72	98	09.99-08.03	*
1.9 dTi (JA0N) (F9Q 736)		Diesel	FWD	1870	72	98	09.99-08.03	*
1.9 dCi RX4 (F9Q 732)		Diesel	4WD	1870	74	101	12.02-08.03	*
1.9 dCi RX4 (F9Q 748)		Diesel	4WD	1870	74	101	12.02-08.03	*
1.9 dCi RX4 (F9Q 796)		Diesel	4WD	1870	74	101	12.02-08.03	*
1.9 dCi (JA05, JA1F) (F9Q 732)		Diesel	FWD	1870	75	102	09.99-08.03	*
1.9 dCi (JA05, JA1F) (F9Q 733)		Diesel	FWD	1870	75	102	09.99-08.03	*
1.9 dCi RX4 (F9Q 740)		Diesel	4WD	1870	75	102	11.00-08.03	*
SCÉNIC VAN (FA0_, JA0/1_) 08.99-07.10					Furgoneta/MPV (Compact MPV-M1 Segment)			
1.9 dTi (JA0N)		Diesel	FWD	1870	72	98	09.99-04.01	*
SEAT								
CORDOBA (6K1, 6K2) 02.93-12.02					Sedán (Supermini car-B Segment)			
1.4 16V (APE)		Gasolina	FWD	1390	55	75	05.00-10.02	*
1.4 16V (AUA)		Gasolina	FWD	1390	55	75	05.00-10.02	*
1.8 i 16V (ADL)		Gasolina	FWD	1781	95	129	10.93-08.96	*
1.8 T 20V Cupra (AQX)		Gasolina	FWD	1781	115	156	07.00-10.02	*
1.8 T 20V Cupra (AYP)		Gasolina	FWD	1781	115	156	07.00-10.02	*
2.0 i (2E)		Gasolina	FWD	1984	85	115	02.93-06.99	*
2.0 i (AGG)		Gasolina	FWD	1984	85	115	02.93-06.99	*
2.0 i 16V (ABF)		Gasolina	FWD	1984	110	150	08.96-06.99	*
1.9 SDI (AGP)		Diesel	FWD	1896	50	68	06.99-10.02	*
1.9 SDI (AQM)		Diesel	FWD	1896	50	68	06.99-10.02	*
1.9 TDI (1Z)		Diesel	FWD	1896	66	90	08.96-10.02	*
1.9 TDI (AGR)		Diesel	FWD	1896	66	90	08.96-10.02	*
1.9 TDI (AHU)		Diesel	FWD	1896	66	90	08.96-10.02	*
1.9 TDI (ALH)		Diesel	FWD	1896	66	90	08.96-10.02	*
1.9 TDI (AFN)		Diesel	FWD	1896	81	110	03.97-10.02	*
1.9 TDI (ASV)		Diesel	FWD	1896	81	110	03.97-10.02	*
CORDOBA II (6K5) 08.00-12.02					[CAMBIADO]:Furgón/Break (Supermini car-B Segment)			
1.9 TDI		Diesel	FWD	1896	81	110	08.00-12.02	*
CORDOBA II (6K2) 06.99-10.02					Sedán (Supermini car-B Segment)			
1.0 16V		Gasolina	FWD	999	51	69	05.00-10.02	*
1.4		Gasolina	FWD	1390	44	60	06.99-10.02	*
1.4 16V		Gasolina	FWD	1390	74	100	02.00-10.02	*
1.6		Gasolina	FWD	1595	74	101	06.99-10.02	*
1.6		Gasolina	FWD	1598	55	75	06.99-10.02	*
1.9 TDI		Diesel	FWD	1896	66	90	06.99-10.02	*
1.9 TDI		Diesel	FWD	1896	81	110	06.99-10.02	*
CORDOBA II Vario (6K5) 06.99-12.02					[CAMBIADO]:Break (Supermini car-B Segment)			
1.4		Gasolina	FWD	1390	44	60	06.99-12.02	*
1.4		Gasolina	FWD	1390	74	101	02.00-12.02	*
1.6		Gasolina	FWD	1595	74	101	06.99-12.02	*
1.6		Gasolina	FWD	1598	55	75	06.99-12.02	*
1.9 TDI		Diesel	FWD	1896	66	90	06.99-12.02	*
1.9 TDI		Diesel	FWD	1896	81	110	06.99-12.02	*
CORDOBA Vario (6K5) 07.96-12.02					[CAMBIADO]:Break (Supermini car-B Segment)			
1.4 16V (APE)		Gasolina	FWD	1390	55	75	06.99-12.02	*
1.4 16V (AUA)		Gasolina	FWD	1390	55	75	06.99-12.02	*

LISTA DE APLICACIONES - BUYERS GUIDE

1.9 SDI (AGP)		Diesel	FWD	1896	50	68	06.99-12.02	*	
1.9 SDI (AQM)		Diesel	FWD	1896	50	68	06.99-12.02	*	
1.9 TDI (1Z)		Diesel	FWD	1896	66	90	08.96-12.02	*	
1.9 TDI (AGR)		Diesel	FWD	1896	66	90	08.96-12.02	*	
1.9 TDI (AHU)		Diesel	FWD	1896	66	90	08.96-12.02	*	
1.9 TDI (ALH)		Diesel	FWD	1896	66	90	08.96-12.02	*	
1.9 TDI (AFN)		Diesel	FWD	1896	81	110	07.97-12.02	*	
1.9 TDI (ASV)		Diesel	FWD	1896	81	110	07.97-12.02	*	
EXEO (3R2) 12.08-							Sedán (Compact executive car-D Segment)		
1.6 (ALZ)		Gasolina	FWD	1595	75	102	03.09-09.10	*	
1.8 T (CFMA)		Gasolina	FWD	1781	110	150	12.08-05.10	*	
1.8 TSI (CDHA)		Gasolina	FWD	1798	88	120	09.10-05.13	*	
1.8 TSI (CDHB)		Gasolina	FWD	1798	118	160	05.10-05.13	*	
2.0 TFSI (BWE)		Gasolina	FWD	1984	147	200	03.09-05.13	*	
2.0 TDI (CAGC)		Diesel	FWD	1968	88	120	12.08-05.13	*	
2.0 TDI (CJCC)		Diesel	FWD	1968	88	120	12.08-05.13	*	
2.0 TDI (CAGA)		Diesel	FWD	1968	105	143	12.08-05.13	*	
2.0 TDI (CJCA)		Diesel	FWD	1968	105	143	12.08-05.13	*	
2.0 TDI (CAHA)		Diesel	FWD	1968	125	170	02.09-05.13	*	
2.0 TDI (CGLB)		Diesel	FWD	1968	125	170	02.09-05.13	*	
EXEO Station Wagon (3R5) 05.09-							[CAMBIADO]:Break (Compact executive car-D Segment)		
1.6 (ALZ)		Gasolina	FWD	1595	75	102	06.09-09.10	*	
1.8 T (CFMA)		Gasolina	FWD	1781	110	150	06.09-05.10	*	
1.8 TSI (CDHA)		Gasolina	FWD	1798	88	120	09.10-05.13	*	
1.8 TSI (CDHB)		Gasolina	FWD	1798	118	160	05.10-05.13	*	
2.0 TDI (CAGC)		Diesel	FWD	1968	88	120	07.09-05.13	*	
2.0 TDI (CJCC)		Diesel	FWD	1968	88	120	07.09-05.13	*	
2.0 TDI (CAGA)		Diesel	FWD	1968	105	143	05.09-05.13	*	
2.0 TDI (CJCA)		Diesel	FWD	1968	105	143	05.09-05.13	*	
2.0 TDI (CAHA)		Diesel	FWD	1968	125	170	05.09-05.13	*	
2.0 TDI (CGLB)		Diesel	FWD	1968	125	170	05.09-05.13	*	
IBIZA II (6K1) 03.93-05.02							[CAMBIADO]:Fastback (Supermini car-B Segment)		
1.8 i 16V (ADL)		Gasolina	FWD	1781	95	129	11.93-08.96	*	
1.8 T 20V Cupra (AQX)		Gasolina	FWD	1781	115	156	07.00-02.02	*	
1.8 T 20V Cupra (AYP)		Gasolina	FWD	1781	115	156	07.00-02.02	*	
2.0 i (2E)		Gasolina	FWD	1984	85	115	03.93-08.99	*	
2.0 i (AGG)		Gasolina	FWD	1984	85	115	03.93-08.99	*	
2.0 i 16V (ABF)		Gasolina	FWD	1984	110	150	08.96-08.99	*	
1.9 TDI (1Z)		Diesel	FWD	1896	66	90	08.96-02.02	*	
1.9 TDI (AGR)		Diesel	FWD	1896	66	90	08.96-02.02	*	
1.9 TDI (AHU)		Diesel	FWD	1896	66	90	08.96-02.02	*	
1.9 TDI (ALH)		Diesel	FWD	1896	66	90	08.96-02.02	*	
1.9 TDI (AFN)		Diesel	FWD	1896	81	110	02.97-02.02	*	
1.9 TDI (ASV)		Diesel	FWD	1896	81	110	02.97-02.02	*	
1.9 TDI		Diesel	RWD	1896	81	110	08.99-02.02	*	
TOLEDO (1L2) 01.91-10.99							[CAMBIADO]:Fastback (Compact car-C Segment)		
1.8 16V (PL)		Gasolina	FWD	1781	92	125	05.91-03.99	*	
1.8 16V (KR)		Gasolina	FWD	1781	98	133	05.91-03.99	*	
1.8 GT		Gasolina	FWD	1781	102	139	05.91-11.92	*	

LISTA DE APLICACIONES - BUYERS GUIDE

2.0 i (2E)	Gasolina	FWD	1984	85	115	05.91-03.99	*
2.0 i (AGG)	Gasolina	FWD	1984	85	115	05.91-03.99	*
2.0 i 16V (ABF)	Gasolina	FWD	1984	110	150	11.93-03.99	*
SKODA							
SUPERB (3U4) 12.01-03.08				Sedán (Executive car-E Segment)			
1.8 T (AWT)	Gasolina	FWD	1781	110	150	12.01-03.08	*
2.0 (AZM)	Gasolina	FWD	1984	85	115	12.01-03.08	*
2.8 V6 (BBG)	Gasolina	FWD	2771	140	190	06.02-03.08	*
2.8 V6 (AMX)	Gasolina	FWD	2771	142	193	12.01-03.08	*
1.9 TDI (AVB)	Diesel	FWD	1896	74	101	08.02-10.05	*
1.9 TDI (BSV)	Diesel	FWD	1896	77	105	10.05-05.07	*
1.9 TDI (BPZ)	Diesel	FWD	1896	85	115	01.07-03.08	*
1.9 TDI (AVF)	Diesel	FWD	1896	96	130	12.01-03.08	*
1.9 TDI (AWX)	Diesel	FWD	1896	96	130	12.01-03.08	*
2.0 TDI (BSS)	Diesel	FWD	1968	103	140	10.05-03.08	*
2.5 TDI (BDG)	Diesel	FWD	2496	120	163	06.03-03.08	*
VW							
CORRADO (53I) 08.87-12.95				Coupé (Compact car-C Segment)			
1.8 16V (KR)	Gasolina	FWD	1781	100	136	04.89-07.92	*
1.8 G60 (PG)	Gasolina	FWD	1781	118	160	09.88-09.93	*
2.0 i (2E)	Gasolina	FWD	1984	85	115	04.93-12.95	*
2.0 i (ADY)	Gasolina	FWD	1984	85	115	04.93-12.95	*
2.0 i 16V (9A)	Gasolina	FWD	1984	100	136	08.91-12.95	*
2.8 VR6 (AAA)	Gasolina	FWD	2792	128	174	09.91-12.95	*
2.8 Tuning	Gasolina	FWD	2795	127	173	08.87-	*
2.9 VR6 (ABV)	Gasolina	FWD	2861	140	190	08.91-12.95	*
GOLF I / RABBIT (155) 01.79-08.93				Cabrió (Compact car-C Segment)			
1.8 (DX)	Gasolina	FWD	1781	82	111	08.83-12.92	*
GOLF II (19E, 1G1) 08.83-12.92				[CAMBIADO]:Fastback (Compact car-C Segment)			
1.8 (RH)	Gasolina	FWD	1781	62	84	08.86-01.90	*
1.8 (GU)	Gasolina	FWD	1781	66	90	08.84-10.91	*
1.8 (GX)	Gasolina	FWD	1781	66	90	08.84-10.91	*
1.8 (HV)	Gasolina	FWD	1781	66	90	08.84-10.91	*
1.8 i Cat (GX)	Gasolina	FWD	1781	66	90	08.87-10.91	*
1.8 i Cat (RP)	Gasolina	FWD	1781	66	90	08.87-10.91	*
1.8 GTI (HT)	Gasolina	FWD	1781	77	105	01.85-07.85	*
1.8 GTI (RV)	Gasolina	FWD	1781	77	105	01.85-07.85	*
1.8 GTI (RD)	Gasolina	FWD	1781	79	107	08.85-10.87	*
1.8 GTI Cat (PF)	Gasolina	FWD	1781	79	107	01.87-10.91	*
1.8 GTI (DX)	Gasolina	FWD	1781	82	112	08.83-10.91	*
1.8 GTI (EV)	Gasolina	FWD	1781	82	112	08.83-10.91	*
1.8 GTI (GZ)	Gasolina	FWD	1781	82	112	08.83-10.91	*
1.8 GTI (PB)	Gasolina	FWD	1781	82	112	08.83-10.91	*
1.8 GTI 16V (PL)	Gasolina	FWD	1781	95	129	02.86-10.91	*
1.8 GTI 16V (KR)	Gasolina	FWD	1781	100	136	08.86-07.88	*
1.8 GTI 16V (KR)	Gasolina	FWD	1781	102	139	02.86-06.90	*
1.8 GTI G60 (PG)	Gasolina	FWD	1781	118	160	04.90-07.91	*
1.8 GTI G60 Syncro (1H)	Gasolina	4WD	1781	118	160	08.88-12.91	*
1.8 GTI G60 Syncro (PG)	Gasolina	4WD	1781	118	160	08.88-12.91	*

LISTA DE APLICACIONES - BUYERS GUIDE

2.0 GTI (9A)	Gasolina	FWD	1984	100	136	09.89-12.92	*
GOLF III (1H1) 10.89-11.00				[CAMBIADO]:Fastback (Compact car-C Segment)			
1.6 (AEK)	Gasolina	FWD	1595	74	101	07.95-08.97	*
1.6 (AFT)	Gasolina	FWD	1595	74	101	07.95-08.97	*
1.6 (AKS)	Gasolina	FWD	1595	74	101	07.95-08.97	*
1.6 (ABU)	Gasolina	FWD	1598	55	75	09.92-08.97	*
1.6 (AEA)	Gasolina	FWD	1598	55	75	09.92-08.97	*
1.6 (AEE)	Gasolina	FWD	1598	55	75	09.92-08.97	*
1.8 (AAM)	Gasolina	FWD	1781	55	75	11.91-08.97	*
1.8 (ABS)	Gasolina	FWD	1781	66	90	11.91-08.97	*
1.8 (ACC)	Gasolina	FWD	1781	66	90	11.91-08.97	*
1.8 (ADD)	Gasolina	FWD	1781	66	90	11.91-08.97	*
1.8 (ADZ)	Gasolina	FWD	1781	66	90	11.91-08.97	*
2.0 (AAC)	Gasolina	FWD	1968	62	84	08.92-07.98	*
2.0 GL (AEP)	Gasolina	FWD	1984	79	107	08.95-09.97	*
2.0 (2E)	Gasolina	FWD	1984	85	115	11.91-08.97	*
2.0 (ABA)	Gasolina	FWD	1984	85	115	11.91-08.97	*
2.0 (ADC)	Gasolina	FWD	1984	85	115	11.91-08.97	*
2.0 (ADY)	Gasolina	FWD	1984	85	115	11.91-08.97	*
2.0 (AGG)	Gasolina	FWD	1984	85	115	11.91-08.97	*
2.0 (AKR)	Gasolina	FWD	1984	85	115	11.91-08.97	*
2.0 Syncro (1HX1) (AGG)	Gasolina	4WD	1984	85	115	08.95-08.97	*
2.0 GTI 16V (ABF)	Gasolina	FWD	1984	110	150	08.92-12.97	*
2.8 VR6 (AAA)	Gasolina	FWD	2792	120	163	08.95-09.97	*
2.8 VR6 (AAA)	Gasolina	FWD	2792	128	174	01.92-08.97	*
Citystromer	Eléctrico	FWD		20	27	11.94-08.97	*
1.9 TDI (1Z)	Diesel	FWD	1896	66	90	08.93-12.97	*
1.9 TDI (AHU)	Diesel	FWD	1896	66	90	08.93-12.97	*
1.9 TDI (ALE)	Diesel	FWD	1896	66	90	08.93-12.97	*
1.9 TDI (AFN)	Diesel	FWD	1896	81	110	04.96-08.97	*
GOLF III / CABRIO III (1E7) 07.93-05.98				Cabrio (Compact car-C Segment)			
1.6 (AEK)	Gasolina	FWD	1595	74	101	10.94-02.98	*
1.6 (AFT)	Gasolina	FWD	1595	74	101	10.94-02.98	*
1.6 (AKS)	Gasolina	FWD	1595	74	101	10.94-02.98	*
1.8 (AAM)	Gasolina	FWD	1781	55	75	07.93-05.98	*
1.8 (ABS)	Gasolina	FWD	1781	66	90	07.93-05.98	*
1.8 (ADZ)	Gasolina	FWD	1781	66	90	07.93-05.98	*
2.0 (2E)	Gasolina	FWD	1984	85	115	07.93-05.98	*
2.0 (ABA)	Gasolina	FWD	1984	85	115	07.93-05.98	*
2.0 (ADY)	Gasolina	FWD	1984	85	115	07.93-05.98	*
2.0 (AGG)	Gasolina	FWD	1984	85	115	07.93-05.98	*
2.0 (AKR)	Gasolina	FWD	1984	85	115	07.93-05.98	*
1.9 TDI (1Z)	Diesel	FWD	1896	66	90	08.95-05.98	*
1.9 TDI (AHU)	Diesel	FWD	1896	66	90	08.95-05.98	*
1.9 TDI (ALE)	Diesel	FWD	1896	66	90	08.95-05.98	*
1.9 TDI (AFN)	Diesel	FWD	1896	81	110	07.96-05.98	*
GOLF III Van (1H5) 08.91-12.99				[CAMBIADO]:Furgón/Break (Compact car-C Segment)			
1.8 (AAM)	Gasolina	FWD	1781	55	75	07.93-02.99	*
1.8 (ABS)	Gasolina	FWD	1781	66	90	08.93-12.99	*
1.8 (ADZ)	Gasolina	FWD	1781	66	90	08.93-12.99	*

LISTA DE APLICACIONES - BUYERS GUIDE

1.9 TDI (1Z)		Diesel	FWD	1896	66	90	08.93-12.99	*
1.9 TDI (AHU)		Diesel	FWD	1896	66	90	08.93-12.99	*
1.9 TDI (AFN)		Diesel	FWD	1896	81	110	05.96-02.99	*
GOLF III Van (1H1) 08.91-12.97					Furgón/hatchback (Compact car-C Segment)			
1.6		Gasolina	FWD	1598	55	75	08.92-09.97	*
1.8 (AAM)		Gasolina	FWD	1781	55	75	08.91-07.95	*
1.8 (ABS)		Gasolina	FWD	1781	66	90	08.91-12.97	*
1.8 (ADZ)		Gasolina	FWD	1781	66	90	08.91-12.97	*
2.0 (AGG)		Gasolina	FWD	1984	85	116	08.95-09.97	*
2.0 GTI (ABF)		Gasolina	FWD	1984	110	150	08.91-09.97	*
1.9 TDI (1Z)		Diesel	FWD	1896	66	90	08.91-09.97	*
GOLF III Variant (1H5) 07.93-04.99					[CAMBIADO]:Break (Compact car-C Segment)			
1.6 (AEK)		Gasolina	FWD	1595	74	101	07.94-04.99	*
1.6 (AFT)		Gasolina	FWD	1595	74	101	07.94-04.99	*
1.6 (AKS)		Gasolina	FWD	1595	74	101	07.94-04.99	*
1.8 (AAM)		Gasolina	FWD	1781	55	75	07.93-04.99	*
1.8 (ANN)		Gasolina	FWD	1781	55	75	07.93-04.99	*
1.8 (ABS)		Gasolina	FWD	1781	66	90	07.93-04.99	*
1.8 (ADZ)		Gasolina	FWD	1781	66	90	07.93-04.99	*
1.8 (ANP)		Gasolina	FWD	1781	66	90	07.93-04.99	*
1.8 Syncro (ADZ)		Gasolina	4WD	1781	66	90	10.94-04.99	*
2.0 (AEP)		Gasolina	FWD	1984	79	107	08.95-04.96	*
2.0 (2E)		Gasolina	FWD	1984	85	115	07.93-04.99	*
2.0 (ADY)		Gasolina	FWD	1984	85	115	07.93-04.99	*
2.0 (AGG)		Gasolina	FWD	1984	85	115	07.93-04.99	*
2.0 (AKR)		Gasolina	FWD	1984	85	115	07.93-04.99	*
2.0 Syncro (AGG)		Gasolina	4WD	1984	85	115	08.95-04.99	*
1.9 TDI (1Z)		Diesel	FWD	1896	66	90	03.94-04.99	*
1.9 TDI (AHU)		Diesel	FWD	1896	66	90	03.94-04.99	*
1.9 TDI (ALE)		Diesel	FWD	1896	66	90	03.94-04.99	*
1.9 TDI Syncro (1Z)		Diesel	4WD	1896	66	90	07.95-04.99	*
1.9 TDI Syncro (AHU)		Diesel	4WD	1896	66	90	07.95-04.99	*
1.9 TDI Syncro (ALE)		Diesel	4WD	1896	66	90	07.95-04.99	*
1.9 TDI (AFN)		Diesel	FWD	1896	81	110	04.96-04.99	*
GOLF IV / CABRIO IV (1E7) 06.98-12.02					Cabrio (Compact car-C Segment)			
1.6 (AFT)		Gasolina	FWD	1595	74	100	06.98-06.02	*
1.6 (AKS)		Gasolina	FWD	1595	74	100	06.98-06.02	*
1.8 (AAM)		Gasolina	FWD	1781	55	75	06.98-06.02	*
1.8 (ANN)		Gasolina	FWD	1781	55	75	06.98-06.02	*
1.8 (ADZ)		Gasolina	FWD	1781	66	90	06.98-06.02	*
1.8 (ANP)		Gasolina	FWD	1781	66	90	06.98-06.02	*
1.8		Gasolina	FWD	1781	81	110	01.00-12.02	*
2.0 (ABA)		Gasolina	FWD	1984	85	115	06.98-06.02	*
2.0 (AGG)		Gasolina	FWD	1984	85	115	06.98-06.02	*
2.0 (AKR)		Gasolina	FWD	1984	85	115	06.98-06.02	*
2.0 (ATU)		Gasolina	FWD	1984	85	115	06.98-06.02	*
2.0 (AWF)		Gasolina	FWD	1984	85	115	06.98-06.02	*
2.0 (AWG)		Gasolina	FWD	1984	85	115	06.98-06.02	*
1.9 TDI (AHU)		Diesel	FWD	1896	66	90	06.98-06.02	*
1.9 TDI (ALE)		Diesel	FWD	1896	66	90	06.98-06.02	*

LISTA DE APLICACIONES - BUYERS GUIDE

1.9 TDI (AFN)		Diesel	FWD	1896	81	110	06.98-06.02	*
1.9 TDI (AVG)		Diesel	FWD	1896	81	110	06.98-06.02	*
GOLF II Furgoneta (19E, 1G1) 08.83-07.91				Furgón/hatchback (Compact car-C Segment)				
1.8 i (RP)		Gasolina	FWD	1781	66	90	08.87-07.91	*
JETTA II (19E, 1G2, 165) 08.83-12.92				Sedán (Compact car-C Segment)				
1.8 (2K)		Gasolina	FWD	1781	51	69	10.89-07.92	*
1.8 (RH)		Gasolina	FWD	1781	62	84	08.86-01.90	*
1.8 (GU)		Gasolina	FWD	1781	66	90	08.84-10.91	*
1.8 (GX)		Gasolina	FWD	1781	66	90	08.84-10.91	*
1.8 (HV)		Gasolina	FWD	1781	66	90	08.84-10.91	*
1.8 Cat (GX)		Gasolina	FWD	1781	66	90	08.87-10.91	*
1.8 Cat (RP)		Gasolina	FWD	1781	66	90	08.87-10.91	*
1.8		Gasolina	FWD	1781	70	95	08.84-07.88	*
1.8 (HT)		Gasolina	FWD	1781	77	105	01.85-12.92	*
1.8 (RV)		Gasolina	FWD	1781	77	105	01.85-12.92	*
1.8 (RD)		Gasolina	FWD	1781	79	107	08.85-10.87	*
1.8 Cat (PF)		Gasolina	FWD	1781	79	107	01.87-10.91	*
1.8 (EV)		Gasolina	FWD	1781	82	112	01.84-10.91	*
1.8 (GZ)		Gasolina	FWD	1781	82	112	01.84-10.91	*
1.8 (PB)		Gasolina	FWD	1781	82	112	01.84-10.91	*
1.8 16V (PL)		Gasolina	FWD	1781	95	129	08.86-10.91	*
1.8 16V (KR)		Gasolina	FWD	1781	102	140	06.87-12.89	*
2.0 (9A)		Gasolina	FWD	1984	100	136	08.89-07.92	*
PASSAT B2 / CARAT / CORSAR / QUANTUM / SANTANA (32B) 09.79-07.89				[CAMBIADO]:Fastback (Large family car-D Segment)				
2.2 (KV)		Gasolina	FWD	2226	100	136	01.85-03.88	*
PASSAT B2 Variant / CARAT / CORSAR / QUANTUM (33B) 08.80-06.89				[CAMBIADO]:Break (Large family car-D Segment)				
1.8 Syncro (DS)		Gasolina	4WD	1781	66	90	01.86-03.88	*
1.8 Syncro (JN)		Gasolina	4WD	1781	66	90	01.86-03.88	*
2.0 Syncro (JS)		Gasolina	4WD	1994	85	116	05.84-03.88	*
2.2 Syncro (JT)		Gasolina	4WD	2226	88	120	08.85-03.88	*
2.2 Syncro (KX)		Gasolina	4WD	2226	88	120	08.85-03.88	*
2.2 (KV)		Gasolina	FWD	2226	100	136	01.85-03.88	*
2.2 Syncro (HY)		Gasolina	4WD	2226	100	136	08.84-07.88	*
PASSAT B3/B4 (315, 3A5) 08.88-12.96				[CAMBIADO]:Furgón/Break (Large family car-D Segment)				
1.8 (AAM)		Gasolina	FWD	1781	55	75	10.93-12.96	*
2.0 (2E)		Gasolina	FWD	1984	85	116	08.91-12.95	*
2.0 Syncro (2E)		Gasolina	4WD	1984	85	116	09.89-10.93	*
1.9 TD (AAZ)		Diesel	FWD	1896	55	75	10.93-12.96	*
PASSAT B3/B4 (3A2, 35I) 02.88-12.97				Sedán (Large family car-D Segment)				
1.6 (RF)		Gasolina	FWD	1595	53	72	04.88-07.89	*
1.6 (AEK)		Gasolina	FWD	1595	74	101	10.94-08.96	*
1.6 (AFT)		Gasolina	FWD	1595	74	101	10.94-08.96	*
1.8 (AAM)		Gasolina	FWD	1781	55	75	08.90-08.96	*
1.8 (ABS)		Gasolina	FWD	1781	66	90	02.88-08.96	*
1.8 (ADZ)		Gasolina	FWD	1781	66	90	02.88-08.96	*
1.8 (RP)		Gasolina	FWD	1781	66	90	02.88-08.96	*
1.8 (PF)		Gasolina	FWD	1781	79	107	04.88-07.93	*
1.8 (PB)		Gasolina	FWD	1781	82	112	04.88-07.92	*

LISTA DE APLICACIONES - BUYERS GUIDE

1.8 16V (KR)		Gasolina	FWD	1781	100	136	04.88-12.89	*
1.8 GL (KR)		Gasolina	FWD	1781	102	139	08.91-09.93	*
1.8 G60 (PG)		Gasolina	FWD	1781	118	160	08.91-10.93	*
1.8 G60 Syncro (PG)		Gasolina	4WD	1781	118	160	08.88-08.96	*
2.0 (AEP)		Gasolina	FWD	1984	79	107	03.95-08.96	*
2.0		Gasolina	FWD	1984	81	110	09.89-07.92	*
2.0 (2E)		Gasolina	FWD	1984	85	115	02.90-08.96	*
2.0 (ABA)		Gasolina	FWD	1984	85	115	02.90-08.96	*
2.0 (ADY)		Gasolina	FWD	1984	85	115	02.90-08.96	*
2.0 (AGG)		Gasolina	FWD	1984	85	115	02.90-08.96	*
2.0 Syncro (2E)		Gasolina	4WD	1984	85	115	10.90-08.96	*
2.0 Syncro (ADY)		Gasolina	4WD	1984	85	115	10.90-08.96	*
2.0 Syncro (AGG)		Gasolina	4WD	1984	85	115	10.90-08.96	*
2.0 16V (9A)		Gasolina	FWD	1984	100	136	08.88-09.93	*
2.0 16V (ABF)		Gasolina	FWD	1984	110	150	01.94-08.96	*
2.0		Gasolina	FWD	1984	125	170	04.88-07.91	*
2.4		Gasolina	FWD	2384	125	170	08.88-07.89	*
2.8 VR6 (AAA)		Gasolina	FWD	2792	128	174	06.91-08.96	*
1.9 TD (AAZ)		Diesel	FWD	1896	55	75	03.91-08.96	*
1.9 TDI (1Z)		Diesel	FWD	1896	66	90	10.93-08.96	*
1.9 TDI (AHU)		Diesel	FWD	1896	66	90	10.93-08.96	*
1.9 TDI (AFN)		Diesel	FWD	1896	81	110	03.96-08.96	*
PASSAT B3/B4 Variant (3A5, 35I) 02.88-06.97							[CAMBIADO]:Break (Large family car-D Segment)	
1.6 (AEK)		Gasolina	FWD	1595	74	101	07.94-12.95	*
1.6 (AFT)		Gasolina	FWD	1595	74	101	07.94-12.95	*
1.8 (AAM)		Gasolina	FWD	1781	55	75	08.90-05.97	*
1.8 (ABS)		Gasolina	FWD	1781	66	90	02.88-05.97	*
1.8 (ADZ)		Gasolina	FWD	1781	66	90	02.88-05.97	*
1.8 (RP)		Gasolina	FWD	1781	66	90	02.88-05.97	*
1.8 (PF)		Gasolina	FWD	1781	79	107	04.88-07.90	*
1.8 (PB)		Gasolina	FWD	1781	82	112	04.88-07.92	*
1.8 16V (KR)		Gasolina	FWD	1781	100	136	04.88-12.89	*
1.8 (KR)		Gasolina	FWD	1781	102	139	08.91-09.93	*
1.8 G60 Syncro (PG)		Gasolina	4WD	1781	118	160	08.88-05.97	*
2.0 (AEP)		Gasolina	FWD	1984	79	107	03.95-08.96	*
2.0 (2E)		Gasolina	FWD	1984	85	115	02.90-05.97	*
2.0 (ADY)		Gasolina	FWD	1984	85	115	02.90-05.97	*
2.0 (AGG)		Gasolina	FWD	1984	85	115	02.90-05.97	*
2.0 (2E)		Gasolina	FWD	1984	85	116	10.93-10.96	*
2.0 (ADY)		Gasolina	FWD	1984	85	116	10.93-10.96	*
2.0 (AGG)		Gasolina	FWD	1984	85	116	10.93-10.96	*
2.0 Syncro (2E)		Gasolina	4WD	1984	85	115	03.90-12.96	*
2.0 Syncro (ADY)		Gasolina	4WD	1984	85	115	03.90-12.96	*
2.0 Syncro (AGG)		Gasolina	4WD	1984	85	115	03.90-12.96	*
2.0 16V (9A)		Gasolina	FWD	1984	100	136	08.88-09.93	*
2.0 16V (ABF)		Gasolina	FWD	1984	110	150	01.94-05.97	*
2.0		Gasolina	FWD	1984	125	170	04.88-07.91	*
2.8 CL		Gasolina	FWD	2771	142	193	10.94-12.95	*
2.8 VR6 (AAA)		Gasolina	FWD	2792	128	174	06.91-05.97	*
2.9 VR6 Syncro (ABV)		Gasolina	4WD	2861	135	184	01.94-05.97	*
1.9 TD (AAZ)		Diesel	FWD	1896	55	75	03.91-05.97	*

LISTA DE APLICACIONES - BUYERS GUIDE

1.9 TDI (1Z)		Diesel	FWD	1896	66	90	10.93-05.97	*	
1.9 TDI (AHU)		Diesel	FWD	1896	66	90	10.93-05.97	*	
1.9 TDI (AFN)		Diesel	FWD	1896	81	110	03.96-05.97	*	
POLO III CLASSIC / DERBY / FLIGHT (6V2) 01.95-11.09							Sedán (Supermini car-B Segment)		
54 1.4 (ANX)		Gasolina	FWD	1390	40	54	01.98-08.99	*	
60 1.4 (AEX)		Gasolina	FWD	1390	44	60	12.95-09.01	*	
60 1.4 (AKK)		Gasolina	FWD	1390	44	60	12.95-09.01	*	
60 1.4 (AKV)		Gasolina	FWD	1390	44	60	12.95-09.01	*	
60 1.4 (ANW)		Gasolina	FWD	1390	44	60	12.95-09.01	*	
60 1.4 (APQ)		Gasolina	FWD	1390	44	60	12.95-09.01	*	
60 1.4 (AUD)		Gasolina	FWD	1390	44	60	12.95-09.01	*	
1.4		Gasolina	FWD	1390	62	84	05.96-07.02	*	
75 1.6 (1F)		Gasolina	FWD	1595	55	75	11.95-09.97	*	
1.6		Gasolina	FWD	1595	65	88	05.96-09.01	*	
100 1.6 (AEH)		Gasolina	FWD	1595	74	100	12.95-09.01	*	
100 1.6 (AFT)		Gasolina	FWD	1595	74	100	12.95-09.01	*	
100 1.6 (AKL)		Gasolina	FWD	1595	74	100	12.95-09.01	*	
100 1.6 (APF)		Gasolina	FWD	1595	74	100	12.95-09.01	*	
100 1.6 (AUR)		Gasolina	FWD	1595	74	100	12.95-09.01	*	
75 1.6 (AEE)		Gasolina	FWD	1598	55	75	11.95-09.01	*	
75 1.6 (ALM)		Gasolina	FWD	1598	55	75	11.95-09.01	*	
90 1.8 (ABS)		Gasolina	FWD	1781	66	90	01.97-09.01	*	
90 1.8 (ADD)		Gasolina	FWD	1781	66	90	01.97-09.01	*	
90 1.8 (ADZ)		Gasolina	FWD	1781	66	90	01.97-09.01	*	
1.8		Gasolina	FWD	1781	73	99	05.96-09.01	*	
2.0 (ADC)		Gasolina	FWD	1984	81	110	01.02-12.03	*	
2.0 (ADC)		Gasolina	FWD	1984	85	116	08.99-09.01	*	
57 1.7 SDI (AKW)		Diesel	FWD	1715	44	60	07.97-09.01	*	
64 1,9 D (1Y)		Diesel	FWD	1896	47	64	01.96-10.96	*	
64 1.9 SDI (AEY)		Diesel	FWD	1896	47	64	12.95-08.99	*	
1.9 SDI (AEY)		Diesel	FWD	1896	48	65	06.96-09.01	*	
68 1.9 SDI (AGP)		Diesel	FWD	1896	50	68	08.99-01.02	*	
68 1.9 SDI (AQM)		Diesel	FWD	1896	50	68	08.99-01.02	*	
90 1.9 TDI (AGR)		Diesel	FWD	1896	66	90	09.96-09.01	*	
90 1.9 TDI (AHU)		Diesel	FWD	1896	66	90	09.96-09.01	*	
90 1.9 TDI (ALE)		Diesel	FWD	1896	66	90	09.96-09.01	*	
90 1.9 TDI (ALH)		Diesel	FWD	1896	66	90	09.96-09.01	*	
1.9 TDI (AHU)		Diesel	FWD	1896	67	91	01.97-08.99	*	
110 1.9 TDI (AFN)		Diesel	FWD	1896	81	110	06.98-01.02	*	
110 1.9 TDI (ASV)		Diesel	FWD	1896	81	110	06.98-01.02	*	
QUANTUM II Variant 04.85-08.94							[CAMBIADO]:Break (Large family car-D Segment)		
2.0		Gasolina	FWD	1984	76	103	08.89-07.90	*	
2.2 Syncro 4WD		Gasolina	FWD	2195			04.85-	*	
2.2 Syncro 4WD		Gasolina	FWD	2195			04.85-	*	
QUANTUM IV Variant 08.90-07.05							[CAMBIADO]:Break (Large family car-D Segment)		
2.0		Gasolina	FWD	1984	76	103	08.90-07.95	*	
2.0		Gasolina	FWD	1984	82	111	08.90-07.05	*	
SANTANA / QUANTUM (32B) 08.81-12.85							Sedán (Large family car-D Segment)		
2.0 (HP)		Gasolina	FWD	1994	85	115	08.83-12.84	*	

LISTA DE APLICACIONES - BUYERS GUIDE

2.0 (JS)	Gasolina	FWD	1994	85	115	08.83-12.84	*
2.1 (WE)	Gasolina	FWD	2144	85	115	08.82-12.83	*
SAVEIRO VI (5UA, 5UB, 5UC) 04.13-							Pick-up ()
1.6 (CWSA)	Gasolina	FWD	1598	81	110	10.14-	*
1.6 TotalFlex (CCRA)	Gasol./Etanol	FWD	1598	76	104	10.14-10.16	*
1.6 Cross 16V Total Flex (CNXA)	Gasol./Etanol	FWD	1598	88	120	03.14-10.16	*
SCIROCCO II (53B) 08.80-07.92							Coupé (Sport compact car-C Segment)
1.6 (EWA)	Gasolina	FWD	1595	51	70	08.83-07.84	*
1.8 16V (PL)	Gasolina	FWD	1781	92	125	09.85-12.88	*
1.8 16V (PL)	Gasolina	FWD	1781	95	129	03.86-07.92	*
1.8 16V (KR)	Gasolina	FWD	1781	102	139	10.85-07.89	*
VENTO / JETTA III (1H2) 11.91-11.00							Sedán (Compact car-C Segment)
1.6 (AEK)	Gasolina	FWD	1595	74	101	10.94-09.98	*
1.6 (AFT)	Gasolina	FWD	1595	74	101	10.94-09.98	*
1.6 (ABU)	Gasolina	FWD	1598	55	75	09.92-09.98	*
1.6 (AEA)	Gasolina	FWD	1598	55	75	09.92-09.98	*
1.6 (AEE)	Gasolina	FWD	1598	55	75	09.92-09.98	*
1.8 (AAM)	Gasolina	FWD	1781	55	75	11.91-09.98	*
1.8 (ABS)	Gasolina	FWD	1781	66	90	11.91-09.98	*
1.8 (ACC)	Gasolina	FWD	1781	66	90	11.91-09.98	*
1.8 (ADD)	Gasolina	FWD	1781	66	90	11.91-09.98	*
1.8 (ADZ)	Gasolina	FWD	1781	66	90	11.91-09.98	*
2.0 GL	Gasolina	FWD	1968	62	84	11.91-07.98	*
2.0 GL (AEP)	Gasolina	FWD	1984	79	107	05.96-12.97	*
2.0 (2E)	Gasolina	FWD	1984	85	115	11.91-09.98	*
2.0 (ABA)	Gasolina	FWD	1984	85	115	11.91-09.98	*
2.0 (ADY)	Gasolina	FWD	1984	85	115	11.91-09.98	*
2.0 (AGG)	Gasolina	FWD	1984	85	115	11.91-09.98	*
2.0 (AKR)	Gasolina	FWD	1984	85	115	11.91-09.98	*
2.8 VR6 (AAA)	Gasolina	FWD	2792	120	163	08.95-04.96	*
2.8 VR6 (AAA)	Gasolina	FWD	2792	120	163	01.92-09.98	*
2.8 VR6 (AAA)	Gasolina	FWD	2792	128	174	01.92-09.98	*
2.8 VR6	Gasolina	FWD	2792	149	203	01.95-08.98	*
1.9 D (1Y)	Diesel	FWD	1896	48	65	11.91-09.98	*
1.9 TD (AAZ)	Diesel	FWD	1896	55	75	11.91-09.98	*
1.9 TDI (1Z)	Diesel	FWD	1896	66	90	09.93-09.98	*
1.9 TDI (AHU)	Diesel	FWD	1896	66	90	09.93-09.98	*
1.9 TDI (ALE)	Diesel	FWD	1896	66	90	09.93-09.98	*
1.9 TDI (AFN)	Diesel	FWD	1896	81	110	04.96-09.98	*