

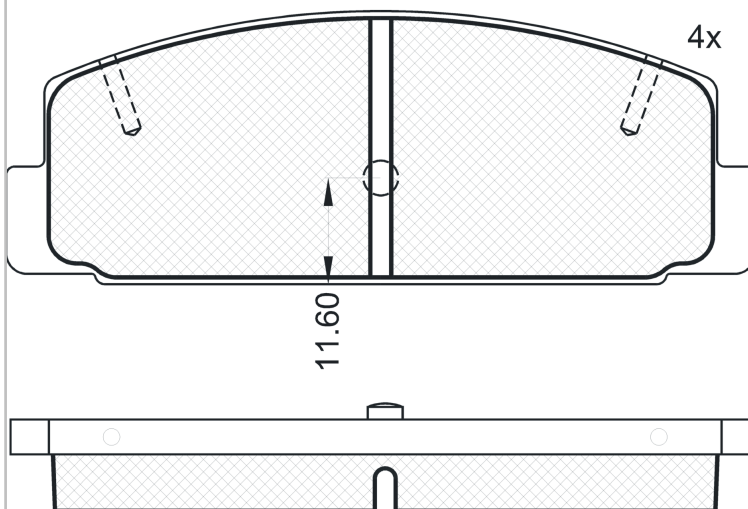
# LISTA DE APLICACIONES - BUYERS GUIDE

## RB0785



Qty: 944 Weight: 816

O.E.M.	MAKE
FB06-49-280	MAZDA
FB06-49-280A	MAZDA
FB0649290A	MAZDA
FB06-49-290B	MAZDA
FB71-26-28Z	MAZDA
FB71-26-28ZA	MAZDA
GEYC-26-48ZA	MAZDA
GEYC-26-48ZB	MAZDA
GEYT-26-43Z	MAZDA
GEYT-26-48Z	MAZDA
GGYB-26-43Z	MAZDA
GGYB-26-48Z	MAZDA
GGYM-26-43Z	MAZDA
GGYM-26-48Z	MAZDA
GGYM-26-48Z9C	MAZDA
GGYM-26-48ZA	MAZDA
GGYM-26-48ZA9C	MAZDA
GJYA-26-43Z	MAZDA
GJYA-26-43ZA	MAZDA
GJYB-26-43Z	MAZDA
GJYB-26-48Z	MAZDA
GJYB-26-48Z9C	MAZDA
GJYB-26-48ZA	MAZDA
GKYA-26-43Z	MAZDA
GS39-26-43Z	MAZDA



## RB0785

E 9 90R-01110/1031



Akebono

107.7x39.4x13.1

WVA	FMSI
23596	D482-7186
24045	D332-7186

Sin Filas



Trac.	CC	Kw	CV
-------	----	----	----



Front / Rear

### FORD

						<b>[CAMBIADO]:Fastback (Compact car-C Segment)</b>					
<b>ACTIVA VII 09.95-09.00</b>											
1.8 GLX		Gasolina	FWD	1840		84	114	09.95-09.00		*	
<b>ACTIVA VII 09.95-09.00</b>						<b>Sedán (Compact car-C Segment)</b>					
1.8 Ghia		Gasolina	FWD	1840		84	114	09.95-09.00		*	
<b>ACTIVA VIII 10.00-</b>						<b>[CAMBIADO]:Fastback (Compact car-C Segment)</b>					
1.6 GX		Gasolina	FWD	1598		78	106	10.00-		*	
2.0 GLS		Gasolina	FWD	1991		121	165	10.00-		*	
2.0 GLS		Gasolina	FWD	1991		125	170	10.00-		*	
<b>ACTIVA VIII 10.00-</b>						<b>Sedán (Compact car-C Segment)</b>					
1.6 GNX		Gasolina	FWD	1598		78	106	10.00-		*	

### FORD ASIA & OCEANIA

<b>IXION (BU1) 08.98-09.03</b>						<b>[CAMBIADO]:Break (Compact MPV-M1 Segment)</b>				
1.8 GS		Gasolina	FWD	1840		84	114	08.98-09.03		*
<b>TELSTAR 02.91-05.00</b>						<b>[CAMBIADO]:Fastback (Executive car-E Segment)</b>				
1.8		Gasolina	FWD	1840		74	101	08.93-05.00		*
1.8		Gasolina	FWD	1840		85	116	05.94-06.97		*
2.0		Gasolina	FWD	1991		85	116	08.93-05.00		*
2.0		Gasolina	FWD	1991		86	117	08.91-07.93		*
<b>TELSTAR (GE_) 08.91-10.95</b>						<b>Coupé (Executive car-E Segment)</b>				
2.0 GTE		Gasolina	FWD	1991		86	117	08.91-10.95		*

# LISTA DE APLICACIONES - BUYERS GUIDE

<b>TELSTAR 02.91-10.00</b>					<b>Sedán (Executive car-E Segment)</b>			
1.8		Gasolina	FWD	1839	85	116	05.94-10.00	*
1.8		Gasolina	FWD	1840	74	101	08.93-05.00	*
2.0		Gasolina	FWD	1991	85	116	08.93-05.00	*
2.0		Gasolina	FWD	1991	86	117	08.91-10.98	*
<b>TIERRA (CA_) 05.98-</b>					<b>Sedán (Compact car-C Segment)</b>			
1.6		Gasolina	FWD	1598	79	107	05.98-09.03	*
1.8 GXL		Gasolina	FWD	1798	85	116	05.98-	*
2.0 GTX		Gasolina	FWD	1991	100	136	05.98-09.03	*
<b>MAZDA</b>								
<b>323 F VIII / 323 ASTINA / 323 F-P / ETUDE / FAMILIA (BJ) 09.98-07.04</b>					<b>[CAMBIADO]:Fastback (Compact car-C Segment)</b>			
1.4 (BJ3P) (B3 (16V))		Gasolina	FWD	1324	53	72	01.01-05.04	*
1.3 16V (BJ3P, BJ14) (B3 ME)		Gasolina	FWD	1324	54	73	09.98-01.01	*
1.6 (BJ10M) (ZM)		Gasolina	FWD	1598	70	95	01.01-05.04	*
1.6 (BJ10M) (ZM)		Gasolina	FWD	1598	72	98	01.01-05.04	*
1.9 16V (BJ14) (FP)		Gasolina	FWD	1840	84	114	09.98-01.01	*
1.9 16V (BJ14) (FP55)		Gasolina	FWD	1840	84	114	09.98-01.01	*
1.8 Astina (BJ10, BJ8S)		Gasolina	FWD	1840	92	125	09.98-05.04	*
2.0 (BJFW) (FS7E)		Gasolina	FWD	1991	96	131	01.01-05.04	*
2.0 (BJFW) (FS7G)		Gasolina	FWD	1991	96	131	01.01-05.04	*
2.0 D (RF1G)		Diesel	FWD	1998	52	71	09.98-05.04	*
2.0 TD (RF4F)		Diesel	FWD	1998	66	90	09.98-12.01	*
2.0 TD (RF4F)		Diesel	FWD	1998	74	101	01.01-05.04	*
<b>323 S VI / FAMILIA / PROTEGE (BG) 06.89-10.96</b>					<b>Sedán (Compact car-C Segment)</b>			
1.8 16V Turbo 4WD (BG8R) (BP TURBO)		Gasolina	4WD	1840	120	163	01.91-07.94	*
<b>323 S VIII / 323 PROTEGÉ / ETUDE / FAMILIA (BJ) 05.98-07.04</b>					<b>Sedán (Compact car-C Segment)</b>			
1.3 (BJ3P) (B3 (16V))		Gasolina	FWD	1324	53	72	01.01-05.04	*
1.5		Gasolina	FWD	1498	80	109	05.98-05.04	*
1.6 (BJ12) (ZM)		Gasolina	FWD	1598	70	95	10.00-05.04	*
1.6 (BJ10M) (ZM)		Gasolina	FWD	1598	72	98	01.01-05.04	*
1.9 16V (BJ10M) (FP)		Gasolina	FWD	1840	84	114	09.98-05.04	*
1.9 16V (BJ10M) (FP55)		Gasolina	FWD	1840	84	114	09.98-05.04	*
1.8 Protege (BJ10, BJ8P) (BP (DOHC))		Gasolina	FWD	1840	92	125	05.98-05.04	*
1.8 Protege (BJ10, BJ8P) (FP55)		Gasolina	FWD	1840	92	125	05.98-05.04	*
2.0 (BJFP) (FS7E)		Gasolina	FWD	1991	96	131	01.01-05.04	*
2.0 (BJFP) (FS7G)		Gasolina	FWD	1991	96	131	01.01-05.04	*
2.0 (BJ10S) (FS)		Gasolina	FWD	1991	98	133	02.00-05.04	*
2.0 D (BJ1_) (RF1G)		Diesel	FWD	1998	52	71	09.98-05.04	*
2.0 TD (BJEP) (RF3F)		Diesel	FWD	1998	66	90	09.98-05.04	*
2.0 DiTD (BJEP) (RF4F)		Diesel	FWD	1998	74	101	10.00-10.02	*
<b>6 / ATENZA (GG) 08.02-12.08</b>					<b>[CAMBIADO]:Fastback (Executive car-E Segment)</b>			
1.8 (L813)		Gasolina	FWD	1798	88	120	08.02-08.07	*
2.0 (GGES) (LF17)		Gasolina	FWD	1999	104	141	08.02-08.07	*
2.0 (GGES) (LF18)		Gasolina	FWD	1999	104	141	08.02-08.07	*
2.0 (GGES) (LFF7)		Gasolina	FWD	1999	108	147	03.05-08.07	*
2.3 (GG3S) (L3C1)		Gasolina	FWD	2261	122	166	08.02-08.07	*
2.3 MPS DISI Turbo		Gasolina	FWD	2295	191	260	08.02-	*
2.5		Gasolina	FWD	2488	125	170	08.07-12.08	*
3.0 (AJ)		Gasolina	FWD	2967	162	220	01.04-12.07	*

# LISTA DE APLICACIONES - BUYERS GUIDE

3.0 (AJ)		Gasolina	FWD	2967	164	223	01.05-12.07	*	
2.0 DI (GG14) (RF5C)		Diesel	FWD	1998	89	121	08.02-08.07	*	
2.0 DI (GG14) (RF5C)		Diesel	FWD	1998	100	136	08.02-08.07	*	
2.0 DI (GG14) (RF7J)		Diesel	FWD	1998	105	143	06.05-08.07	*	
<b>6 / ATENZA (GG) 06.02-12.08</b>							<b>Sedán (Executive car-E Segment)</b>		
1.8 (L813)		Gasolina	FWD	1798	88	120	08.02-08.07	*	
1.8 (L829)		Gasolina	FWD	1798	88	120	08.02-08.07	*	
2.0 (GGEP, GG10) (LF17)		Gasolina	FWD	1999	104	141	06.02-08.07	*	
2.0 (GGEP, GG10) (LF18)		Gasolina	FWD	1999	104	141	06.02-08.07	*	
2.0 (GGEP, GG10) (LFF7)		Gasolina	FWD	1999	108	147	03.05-08.07	*	
2.3		Gasolina	FWD	2260	103	138	09.06-08.07	*	
2.3		Gasolina	FWD	2261	119	162	07.03-02.05	*	
2.3 (L3C1)		Gasolina	FWD	2261	120	163	03.05-07.07	*	
2.3 (GG3P) (L3C1)		Gasolina	FWD	2261	122	166	06.02-08.07	*	
2.3 MPS Turbo (GG3P) (L3KG)		Gasolina	4WD	2261	191	260	12.05-08.07	*	
2.3		Gasolina	FWD	2295	118	160	01.03-	*	
2.3 16V		Gasolina	FWD	2295	118	160	01.03-	*	
2.3 16V		Gasolina	FWD	2295	118	160	01.03-	*	
2.5		Gasolina	FWD	2488	125	170	08.07-	*	
3.0		Gasolina	FWD	2967	162	220	07.03-02.05	*	
3.0		Gasolina	FWD	2967	164	223	03.05-08.07	*	
3.0		Gasolina	FWD	2995	158	215	01.03-	*	
3.0		Gasolina	FWD	2995	158	215	01.03-	*	
3.0		Gasolina	FWD	2995	158	215	01.03-	*	
2.0 DI (GG14) (RF5C)		Diesel	FWD	1998	89	121	08.02-08.07	*	
2.0 DI (GG14) (RF5C)		Diesel	FWD	1998	100	136	06.02-08.07	*	
2.0 DI (GG14) (RF7J)		Diesel	FWD	1998	105	143	06.05-08.07	*	
<b>6 / ATENZA Station Wagon (GY) 01.02-02.08</b>							<b>[CAMBIADO]:Break (Executive car-E Segment)</b>		
1.8 (L813)		Gasolina	FWD	1798	88	120	08.02-08.07	*	
2.0 (GYEW) (LF17)		Gasolina	FWD	1999	104	141	08.02-08.07	*	
2.0 (GYEW) (LF18)		Gasolina	FWD	1999	104	141	08.02-08.07	*	
2.0 (GYEW) (LFF7)		Gasolina	FWD	1999	108	147	03.05-08.07	*	
2.3 AWD (GY3W) (L3C1)		Gasolina	4WD	2261	119	162	11.02-08.07	*	
2.3 (GY3W, GY10) (L3C1)		Gasolina	FWD	2261	122	166	01.02-02.08	*	
2.0 CiTD		Diesel	RWD	1998	89	121	10.02-02.05	*	
2.0 DI (GY19) (RF5C)		Diesel	FWD	1998	89	121	08.02-08.07	*	
2.0 CiTD		Diesel	RWD	1998	100	136	10.02-02.05	*	
2.0 DI (GY19) (RF5C)		Diesel	FWD	1998	100	136	08.02-02.05	*	
2.0 DI (GY19) (RF7J)		Diesel	FWD	1998	105	143	06.05-08.07	*	
<b>6 II / ATENZA (GH) 12.07-07.13</b>							<b>[CAMBIADO]:Break (Executive car-E Segment)</b>		
1.8 MZR (L813)		Gasolina	FWD	1798	88	120	02.08-07.13	*	
2.0 MZR (GHEFW, GH10F) (LF17)		Gasolina	FWD	1999	108	147	12.07-07.13	*	
2.0 MZR (GHEFW) (LFDE)		Gasolina	FWD	1999	114	155	01.10-07.13	*	
2.5		Gasolina	FWD	2488	125	170	02.08-	*	
2.5 MZR (GH5FW) (L5-VE)		Gasolina	FWD	2488	125	170	02.08-07.13	*	
2.0 MZR-CD (GH14) (RF7J)		Diesel	FWD	1998	103	140	12.07-12.10	*	
2.2 MZR-CD (GH10) (R2AA)		Diesel	FWD	2183	132	180	01.10-07.13	*	
2.2 MZR-CD (GH10) (R2BF)		Diesel	FWD	2184	92	125	01.09-12.10	*	
2.2 D (GH10) (R2BF)		Diesel	FWD	2184	95	129	01.10-07.13	*	
2.2 MZR-CD (GH10) (R2AA)		Diesel	FWD	2184	120	163	08.08-07.13	*	

# LISTA DE APLICACIONES - BUYERS GUIDE

2.2 MZR-CD (GH10) (R2AA)	Diesel	FWD	2184	136	185	08.08-12.11	*
<b>6 II / ATENZA (GH) 08.07-07.13</b>				<b>[CAMBIADO]:Fastback (Executive car-E Segment)</b>			
1.8 MZR (L813)	Gasolina	FWD	1798	88	120	08.07-07.13	*
2.0 MZR (GHEFS) (LF17)	Gasolina	FWD	1999	108	147	08.07-07.13	*
2.0 MZR (GHEFS) (LFDE)	Gasolina	FWD	1999	114	155	01.10-12.12	*
2.5 MZR (GH5FS) (L5-VE)	Gasolina	FWD	2488	125	170	08.07-03.13	*
2.0 MZR-CD (GH14) (RF7J)	Diesel	FWD	1998	103	140	08.07-10.09	*
2.2 MZR-CD (GH10) (R2BF)	Diesel	FWD	2184	92	125	01.09-12.12	*
2.2 D (GH10) (R2BF)	Diesel	FWD	2184	95	129	01.10-12.12	*
2.2 MZR-CD (GH10) (R2AA)	Diesel	FWD	2184	120	163	01.09-12.12	*
2.2 MZR-CD (GH10) (R2AA)	Diesel	FWD	2184	132	180	01.10-12.12	*
2.2 MZR-CD (GH10) (R2AA)	Diesel	FWD	2184	136	185	01.09-12.12	*
<b>6 II / ATENZA (GH) 08.07-12.13</b>				<b>Sedán (Executive car-E Segment)</b>			
1.8 MZR (L813)	Gasolina	FWD	1798	88	120	08.07-07.13	*
2.0 MZR (GHEFP, GH10F) (LF4J)	Gasolina	FWD	1999	108	147	08.07-12.12	*
2.0 MZR (GHEFP, GH10F) (LF4K)	Gasolina	FWD	1999	108	147	08.07-12.12	*
2.0 MZR (GHEFP, GH10F) (LFYA)	Gasolina	FWD	1999	108	147	08.07-12.12	*
2.0 MZR (GHEFP, GH10F) (LFYB)	Gasolina	FWD	1999	108	147	08.07-12.12	*
2.0 MZR (GHEFP) (LFDE)	Gasolina	FWD	1999	114	155	01.10-12.12	*
2.5 MZR (GH5FS, GH5FP) (L5-VE)	Gasolina	FWD	2488	125	170	08.07-07.13	*
3.7	Gasolina	FWD	3726	203	272	09.08-12.12	*
2.0 MZR-CD (GH14) (RF7J)	Diesel	FWD	1998	103	140	08.07-10.10	*
2.2 D (GH10) (R2AA)	Diesel	FWD	2183	132	180	01.10-07.13	*
2.2 MZR-CD (GH10) (R2BF)	Diesel	FWD	2184	92	125	01.09-12.12	*
2.2 D (GH10) (R2BF)	Diesel	FWD	2184	95	129	01.10-12.12	*
2.2 MZR-CD (GH10) (R2AA)	Diesel	FWD	2184	120	163	01.09-12.12	*
2.2 MZR-CD (GH10) (R2AA)	Diesel	FWD	2184	136	185	01.09-12.12	*
<b>626 IV / CAPELLA (GD) 06.87-05.92</b>				<b>Coupé (Executive car-E Segment)</b>			
2.2 12V (GD102) (F2)	Gasolina	FWD	2184	85	115	04.88-12.91	*
<b>626 IV / CAPELLA / TELSTAR (GD) 06.87-05.92</b>				<b>[CAMBIADO]:Fastback (Executive car-E Segment)</b>			
2.2 12V (GD102) (F2)	Gasolina	FWD	2184	85	115	06.88-04.92	*
2.2 12V 4WD (F2)	Gasolina	4WD	2184	85	115	11.87-07.90	*
<b>626 IV / CAPELLA Station Wagon (GV) 09.87-10.98</b>				<b>[CAMBIADO]:Break (Executive car-E Segment)</b>			
2.2 12V 4WD (GV102) (F2)	Gasolina	4WD	2184	85	116	05.91-11.92	*
2.2 12V 4WD (GV102) (F2L1)	Gasolina	4WD	2184	85	116	05.91-11.92	*
<b>626 VII / CAPELLA (GF) 05.97-12.02</b>				<b>[CAMBIADO]:Fastback (Executive car-E Segment)</b>			
1.9 (FP)	Gasolina	FWD	1840	74	100	12.99-10.02	*
1.9 (GF8P) (FP)	Gasolina	FWD	1840	74	100	12.99-10.02	*
2.0 (GFEP) (FS)	Gasolina	FWD	1991	85	115	05.97-10.02	*
2.0 H.P. (GFEP) (FS2C)	Gasolina	FWD	1991	100	136	02.98-10.02	*
2.0 DITD (GFFP) (RF3F)	Diesel	FWD	1998	66	90	04.98-10.02	*
2.0 Turbo DI (GFFP) (RF4F)	Diesel	FWD	1998	74	101	04.98-10.02	*
2.0 TD (GFFP) (RF4F)	Diesel	FWD	1998	81	110	10.00-10.02	*
<b>626 VII / CAPELLA (GF) 05.97-05.06</b>				<b>Sedán (Executive car-E Segment)</b>			
1.6 (GF6P) (B6EW)	Gasolina	FWD	1597	79	107	07.97-07.99	*
1.8 (GF8P) (FP9A)	Gasolina	FWD	1840	74	100	12.99-10.02	*
1.9 (FP9A)	Gasolina	FWD	1840	74	100	12.99-10.02	*
2.0 (GFEP, GF12) (FS)	Gasolina	FWD	1991	85	115	05.97-10.02	*

# LISTA DE APLICACIONES - BUYERS GUIDE

2.0 (GFEP) (FS2C)		Gasolina	FWD	1991	100	136	04.98-10.02	*
2.0 DITD (GFFP) (RF3F)		Diesel	FWD	1998	66	90	04.98-10.02	*
2.0 Turbo DI (GFFP) (RF4F)		Diesel	FWD	1998	74	101	04.98-10.02	*
2.0 TD (GFFP) (RF4F)		Diesel	FWD	1998	81	110	10.00-10.02	*
<b>626 VII / CAPELLA Station Wagon (GW) 01.98-05.03</b>					<b>[CAMBIADO]:Break (Executive car-E Segment)</b>			
1.8 (GW8W) (FPY3)		Gasolina	FWD	1840	66	90	02.98-01.00	*
1.9 (FPY3)		Gasolina	FWD	1840	66	90	02.98-01.00	*
1.8 (GW8W) (FP9A)		Gasolina	FWD	1840	74	100	01.00-10.02	*
1.9 (FP9A)		Gasolina	FWD	1840	74	100	01.00-10.02	*
2.0 (GWEW) (FS)		Gasolina	FWD	1991	85	116	02.98-10.02	*
2.0 H.P. (GWEW) (FS2C)		Gasolina	FWD	1991	100	136	02.98-10.02	*
2.0 DITD (GWFW) (RF3F)		Diesel	FWD	1998	66	90	09.99-10.02	*
2.0 Turbo DI (GWFW) (RF4F)		Diesel	FWD	1998	74	101	04.98-10.02	*
2.0 TD (GWFW) (RF4F)		Diesel	FWD	1998	81	110	10.00-10.02	*
<b>PREMACY (CP_) 01.99-06.05</b>					<b>Furgoneta/MPV (Compact MPV-M1 Segment)</b>			
1.8 (CP19)		Gasolina	FWD	1840	74	101	07.99-06.05	*
1.8 (CP19)		Gasolina	FWD	1840	84	114	07.99-03.05	*
2.0 (CP19)		Gasolina	FWD	1991	96	131	08.01-06.05	*
DiTD (CP19)		Diesel	FWD	1998	74	101	08.00-06.05	*
<b>PREMACY (CP) 01.99-03.05</b>					<b>MPV (Compact MPV-M1 Segment)</b>			
1.9 (CP8W) (FP)		Gasolina	FWD	1840	74	100	07.99-03.05	*
1.9 (CP10P) (FP)		Gasolina	FWD	1840	84	114	07.99-03.05	*
2.0 (CP10S) (FS7E)		Gasolina	FWD	1991	96	131	11.01-03.05	*
2.0 (CP10S) (FS7G)		Gasolina	FWD	1991	96	131	11.01-03.05	*
2.0 TD (RF3F)		Diesel	FWD	1998	66	90	10.99-07.00	*
2.0 TD (RF4F)		Diesel	FWD	1998	74	101	07.00-03.05	*
<b>RX-7 (SA) 03.78-03.86</b>					<b>Coupé (Sports car-S Segment)</b>			
1.1 (SA22C) (12AN2)		Gasolina	RWD	1146	83	113	03.84-03.86	*
<b>RX-7 II 01.88-06.92</b>					<b>Cabrío (Sports car-S Segment)</b>			
1.3 Turbo (FC1032) (13B-MSP)		Gasolina	RWD	1308	147	200	03.89-12.91	*
<b>RX-7 II (FC) 11.85-12.91</b>					<b>Coupé (Sports car-S Segment)</b>			
1.3 (FC3S, FC1031) (RE13B)		Gasolina	RWD	1308	110	150	11.85-04.89	*
1.3 Turbo (FC3S, FC1031) (RE13B)		Gasolina	RWD	1308	133	181	06.87-11.89	*
1.3 Turbo (FC3S, FC1031) (RE13B)		Gasolina	RWD	1308	147	200	03.89-12.91	*
<b>RX-7 III (FD) 07.92-08.02</b>					<b>Coupé (Sports car-S Segment)</b>			
1.3 Twin Turbo (FD3S, FD1031) (RE13B)		Gasolina	RWD	1308	176	239	07.92-08.02	*
<b>MAZDA (HAINAN)</b>								
<b>PREMACY 01.01-02.07</b>					<b>MPV (Compact MPV-M1 Segment)</b>			
1.8		Gasolina	FWD	1839	90	121	01.01-02.07	*