

LISTA DE APLICACIONES - BUYERS GUIDE

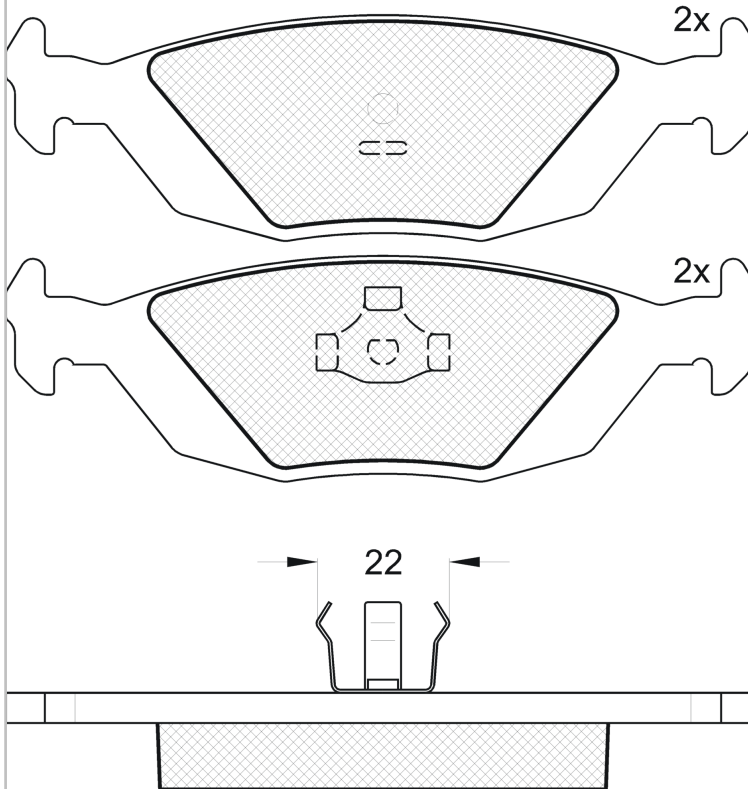
RB0775



Qty: 944

Weight: 745

O.E.M.	MAKE
41 96 317	SAAB
50 55 967	SAAB
89 67 101	SAAB
89 67 119	SAAB
89 68 026	SAAB



RB0775



Ate - Teves

125x37.4x15

WVA	FMSI
21089	D322-7221
21090	

Sin Filas



Trac.	CC	Kw	CV
-------	----	----	----



Front / Rear

SAAB

						[CAMBIADO]:Fastback (Compact executive car-D Segment)				
900 06.78-06.94										
2.0 (B201)		Gasolina	FWD	1985	74	100	04.84-10.91		*	
2.0 i (B201)		Gasolina	FWD	1985	81	110	09.80-08.90		*	
2.0 -16 (B202I)		Gasolina	FWD	1985	93	126	01.89-08.92		*	
2.0 Turbo (B201XL)		Gasolina	FWD	1985	103	140	10.86-12.91		*	
2.0 S Turbo-16 (B202S)		Gasolina	FWD	1985	104	141	09.91-07.93		*	
2.0 -16 (B202S)		Gasolina	FWD	1985	107	145	05.91-10.93		*	
2.0 Turbo-16 (B202XL)		Gasolina	FWD	1985	118	160	11.85-06.94		*	
2.0 Turbo-16 S Cat (B202XL)		Gasolina	FWD	1985	125	170	01.89-12.93		*	
2.0 Turbo-16 (B202L)		Gasolina	FWD	1985	132	180	01.93-06.94		*	
2.1 -16 (B212I)		Gasolina	FWD	2119	100	136	09.90-07.93		*	
2.1 16 S		Gasolina	FWD	2119	107	145	10.89-07.92		*	
900 10.85-12.94						Cabrió (Compact executive car-D Segment)				
2.0 (B201)		Gasolina	FWD	1985	81	110	10.85-09.89		*	
2.0 -16 (B202I)		Gasolina	FWD	1985	93	126	01.90-06.94		*	
2.0 S Turbo-16 (B202S)		Gasolina	FWD	1985	104	141	09.91-06.94		*	
2.0 (B202S)		Gasolina	FWD	1985	107	145	05.91-10.93		*	
2.0 Turbo-16 (B202XL)		Gasolina	FWD	1985	118	160	11.86-06.94		*	
2.0 (B202XL)		Gasolina	FWD	1985	125	170	10.89-10.93		*	
2.0 Turbo-16 S (B202XL)		Gasolina	FWD	1985	129	175	11.86-06.94		*	
2.1 -16 (B212I)		Gasolina	FWD	2119	100	136	08.90-06.94		*	
2.1 16 S		Gasolina	FWD	2119	107	145	10.89-07.92		*	

LISTA DE APLICACIONES - BUYERS GUIDE

900 (AC4, AM4) 01.79-12.93					Sedán (Compact executive car-D Segment)			
2.0 i (B201)		Gasolina	FWD	1985	81	110	09.80-08.90	*
2.0 i (B201XI)		Gasolina	FWD	1985	85	115	11.80-08.90	*
2.0 i (BI 20)		Gasolina	FWD	1985	85	115	11.80-08.90	*
2.0 -16 (B202I)		Gasolina	FWD	1985	93	126	01.89-12.93	*
2.0 (B202I)		Gasolina	FWD	1985	98	133	10.87-10.91	*
2.0 Turbo (B201XL)		Gasolina	FWD	1985	103	140	10.86-12.91	*
2.0 S Turbo-16 (B202S)		Gasolina	FWD	1985	104	141	07.91-12.93	*
2.0 S Turbo-16 (B202S)		Gasolina	FWD	1985	107	146	01.92-12.93	*
2.0 Turbo-16 (B202XL)		Gasolina	FWD	1985	118	160	11.85-12.93	*
2.0 Turbo-16 S Cat (B202XL)		Gasolina	FWD	1985	129	175	01.89-12.93	*
2.1 -16 (B212I)		Gasolina	FWD	2119	100	136	08.90-12.93	*
2.1 16 S		Gasolina	FWD	2119	107	145	10.89-07.92	*
9000 09.84-12.98					[CAMBIADO]:Fastback (Executive car-E Segment)			
2.0 -16 (B202XI)		Gasolina	FWD	1985	92	125	12.85-12.88	*
2.0 -16 (B202XI)		Gasolina	FWD	1985	94	128	12.85-08.88	*
2.0 -16 CS (B202I)		Gasolina	FWD	1985	94	128	01.89-12.98	*
2.0 -16 CS (B204I)		Gasolina	FWD	1985	96	131	09.93-12.98	*
2.0 (B202I)		Gasolina	FWD	1985	99	135	10.88-01.90	*
2.0 -16 ND Turbo (B202S)		Gasolina	FWD	1985	110	150	09.93-12.98	*
2.0 -16 ND Turbo (B204E)		Gasolina	FWD	1985	110	150	09.93-12.98	*
2.0 -16 ND Turbo (B204S)		Gasolina	FWD	1985	110	150	09.93-12.98	*
2.0 -16 Turbo (B202XL)		Gasolina	FWD	1985	118	160	09.84-08.93	*
2.0 -16 Turbo (B202XL)		Gasolina	FWD	1985	120	163	05.88-08.93	*
2.0 -16 Turbo (B202)		Gasolina	FWD	1985	127	172	06.89-12.92	*
2.0 -16 Turbo (B202L)		Gasolina	FWD	1985	129	175	09.84-12.91	*
2.0 -16 Turbo (B202XL)		Gasolina	FWD	1985	129	175	09.84-12.91	*
2.0 -16 Turbo CS (B202L)		Gasolina	FWD	1985	136	185	09.88-12.98	*
2.0 16V (B202L)		Gasolina	FWD	1985	143	195	09.89-01.90	*
2.0 T16 (B202L)		Gasolina	FWD	1985	150	204	06.89-10.90	*
2.3 -16 CS (B234I)		Gasolina	FWD	2290	107	146	09.89-12.98	*
2.3 -16 CSE (B234I)		Gasolina	FWD	2290	108	147	09.93-12.98	*
2.3 (B234I)		Gasolina	FWD	2290	110	150	01.90-12.93	*
2.3 -16 CSE Eco Power (B234E)		Gasolina	FWD	2290	125	170	09.93-12.98	*
2.3 -16 Turbo (B234L)		Gasolina	FWD	2290	143	195	09.90-12.98	*
2.3 -16 Turbo CSE (B234L)		Gasolina	FWD	2290	147	200	09.93-12.98	*
2.3 -16 Aero CS (B234R)		Gasolina	FWD	2290	162	220	02.93-12.98	*
2.3 -16 Aero CS (B234R)		Gasolina	FWD	2290	165	224	02.93-12.98	*
3.0 -24 V6 CS/CSE (B308I)		Gasolina	FWD	2962	155	211	07.94-12.98	*
9000 04.85-12.98					Sedán (Executive car-E Segment)			
2.0 -16 (B202I)		Gasolina	FWD	1985	94	128	01.89-01.93	*
2.0 -16 CD (B202I)		Gasolina	FWD	1985	96	131	09.93-12.98	*
2.0 -16 CD (B204I)		Gasolina	FWD	1985	96	131	09.93-12.98	*
2.0 (B202I)		Gasolina	FWD	1985	99	135	10.88-08.90	*
2.0 -16 Turbo CD (B202S)		Gasolina	FWD	1985	108	147	09.92-12.98	*
2.0 -16 Turbo CD (B204E)		Gasolina	FWD	1985	108	147	09.92-12.98	*
2.0 -16 CD (B202S)		Gasolina	FWD	1985	110	150	09.93-12.98	*
2.0 -16 CD (B204E)		Gasolina	FWD	1985	110	150	09.93-12.98	*
2.0 -16 CD (B204S)		Gasolina	FWD	1985	110	150	09.93-12.98	*
2.0 -16 Turbo (B202XL)		Gasolina	FWD	1985	118	160	05.88-08.93	*

LISTA DE APLICACIONES - BUYERS GUIDE

2.0 -16 Turbo CD (B202XL)	Gasolina	FWD	1985	120	163	09.88-08.93	*
2.0 -16 Turbo (B202)	Gasolina	FWD	1985	127	172	03.90-09.93	*
2.0 -16 Turbo (B202XL)	Gasolina	FWD	1985	129	175	04.85-12.91	*
2.0 -16 Turbo CD (B202L)	Gasolina	FWD	1985	136	185	09.89-12.98	*
2.0 Carlsson (B204L)	Gasolina	FWD	1985	143	195	09.89-08.90	*
2.0 T16 (B202L)	Gasolina	FWD	1985	150	204	06.89-10.90	*
2.3 -16 CD (B234I)	Gasolina	FWD	2290	107	146	08.89-12.98	*
2.3 -16 CDE (B234I)	Gasolina	FWD	2290	108	147	09.93-12.98	*
2.3 (B234I)	Gasolina	FWD	2290	110	150	10.89-01.92	*
2.3 -16 CDE Eco-Power (B234E)	Gasolina	FWD	2290	125	170	09.93-12.98	*
2.3 -16 Turbo (B234L)	Gasolina	FWD	2290	143	195	09.90-12.98	*
2.3 -16 CD Turbo (B234L)	Gasolina	FWD	2290	147	200	07.90-12.98	*
2.3 (B234R)	Gasolina	FWD	2290	165	224	09.90-10.98	*
3.0 -24 V6 CD/CDE (B308I)	Gasolina	FWD	2962	155	211	07.94-12.98	*