

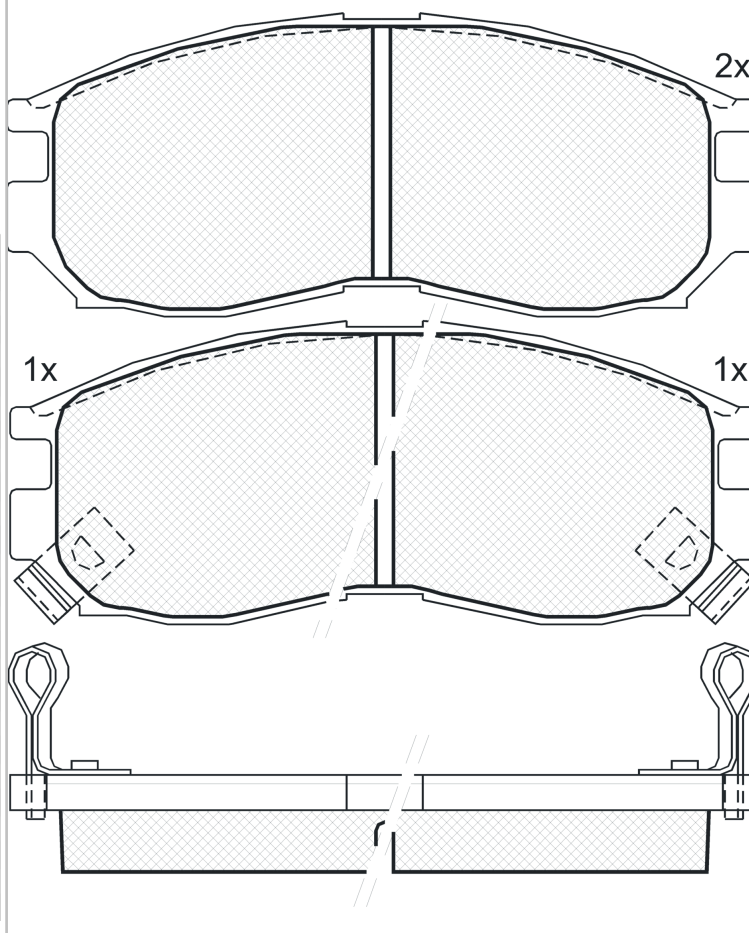
LISTA DE APLICACIONES - BUYERS GUIDE

RB0771



Qty: 300

Weight: 1.470



RB0771

E 9 90R-01111/1345



Sumitomo

127.8x52.1x16

128.1x52.1x16

WVA

21647

21648

21649

FMSI

D484-7365

Sin Filas

O.E.M.	MAKE
58101-M2A01	HYUNDAI
AA35010119	HAFEI
MB 389 532	MITSUBISHI
MB 389 533	MITSUBISHI
MB 389 538	MITSUBISHI
MB 389 541	MITSUBISHI
MB 699 174	MITSUBISHI
MB 699 266	MITSUBISHI
MB 699 702	MITSUBISHI
MB 858 583	MITSUBISHI
MN 102 607	MITSUBISHI
MR 129 592	MITSUBISHI
MR 334 657	MITSUBISHI
MR 389 532	MITSUBISHI
MR 389 533	MITSUBISHI
MR 389 537	MITSUBISHI
MR 389 538	MITSUBISHI
MR 389 540	MITSUBISHI
MR 389 541	MITSUBISHI
MR 475 244	MITSUBISHI
MR 493 984	MITSUBISHI
MR 569 588	MITSUBISHI
MZ 690 001E	MITSUBISHI
MZ 690 331	MITSUBISHI
X3 511 002	MITSUBISHI



Trac.	CC	Kw	CV
-------	----	----	----



Front / Rear

CHANGAN

ALSVIN 01.09-12.12

[CAMBIADO]:Fastback ()

1.5	Gasolina	FWD	1497	72	98	01.09-12.12	*
-----	----------	-----	------	----	----	-------------	---

ALSVIN 01.09-

Sedán ()

1.5	Gasolina	FWD	1497	72	98	01.09-06.14	*
-----	----------	-----	------	----	----	-------------	---

CHRYSLER

SEBRING (FJ) 05.95-09.00

Coupé (Executive car-E Segment)

2.5 LE (EEB)	Gasolina	FWD	2497	120	163	05.95-12.96	*
--------------	----------	-----	------	-----	-----	-------------	---

SEBRING II / CIRRUS (JR) 09.00-06.07

Sedán (Executive car-E Segment)

2.0 (ECC)	Gasolina	FWD	1996	104	141	04.01-06.07	*
-----------	----------	-----	------	-----	-----	-------------	---

DODGE

AVENGER 01.95-

Sedán (Sports car-S Segment)

2.0 16V	Gasolina	FWD	1995	103	140	01.95-	*
2.0 16V	Gasolina	FWD	1995	103	140	01.95-	*
2.5 V6 24V	Gasolina	FWD	2495	114	155	01.95-	*
2.5 V6 24V 4WD	Gasolina	FWD	2495	114	155	01.95-	*

HAFEI

SAIBAO III 04.05-

Sedán ()

1.6 (DA4G18)	Gasolina	FWD	1584	74	101	04.05-	*
--------------	----------	-----	------	----	-----	--------	---

SIGMA 06.00-12.09

[CAMBIADO]:Fastback ()

1.3	Gasolina	FWD	1299	51	69	06.00-	*
-----	----------	-----	------	----	----	--------	---

HYUNDAI

LISTA DE APLICACIONES - BUYERS GUIDE

SANTAMO 10.98-12.02					MPV (Large MPV-M1 Segment)			
2.0 (G4CP)		Gasolina	FWD	1997	77	105	10.98-10.02	*
2.0 16V (G4JP)		Gasolina	FWD	1997	102	139	05.99-12.02	*
2.0 16V 4x4 (G4CP-D)		Gasolina	4WD	1997	102	139	05.99-12.02	*
MITSUBISHI								
COLT II (C5_A) 10.86-05.92					[CAMBIADO]:Fastback (Supermini car-B Segment)			
1.8 GTi 16V (CA5A) (4G93 (DOHC 16V))		Gasolina	FWD	1834	103	140	04.92-04.96	*
1.8 GTi 16V Cat (C58A) (4G67)		Gasolina	FWD	1836	100	136	06.90-05.92	*
ECLIPSE I 12.89-03.94					Cabrió (Executive car-E Segment)			
1.8		Gasolina	FWD	1755	68	92	12.89-03.94	*
ECLIPSE I (D2_A) 12.89-12.95					Coupé (Executive car-E Segment)			
1.8 (D21A) (4G37)		Gasolina	FWD	1755	68	92	12.89-03.94	*
2.0 i 16V (D22A, D27A) (4G63 (DOHC 16V))		Gasolina	FWD	1997	110	150	04.91-11.95	*
2.0 Turbo (4G63-T (DOHC 16V))		Gasolina	FWD	1997	147	200	12.89-03.94	*
ECLIPSE II 04.94-04.99					Cabrió (Executive car-E Segment)			
1.8 (4G93 (SOHC 16V))		Gasolina	FWD	1834	102	139	04.94-04.99	*
2.0 (4G63-T (DOHC 16V))		Gasolina	FWD	1997	157	214	09.95-04.99	*
ECLIPSE II (D3_A) 04.94-04.99					Coupé (Executive car-E Segment)			
2.0 RS (4G63 (DOHC 16V))		Gasolina	FWD	1996	104	141	09.95-04.99	*
2000 GS 16V (D32A) (4G63 (DOHC 16V))		Gasolina	FWD	1997	107	146	12.95-04.99	*
2.0 Turbo (D32A)		Gasolina	FWD	1997	147	200	04.94-04.99	*
2.0 Turbo 4WD (D32A)		Gasolina	4WD	1997	147	200	04.94-04.99	*
2.0 Turbo 4WD (D33A) (4G63-T (DOHC 16V))		Gasolina	4WD	1997	157	214	12.95-04.99	*
2000 GT 16V (4G63-T (DOHC 16V))		Gasolina	FWD	1997	157	214	12.95-04.99	*
2400 GS 16V (4G64 (16V))		Gasolina	FWD	2389	105	143	09.98-04.99	*
ECLIPSE III (D5_A) 05.99-12.05					Cabrió (Executive car-E Segment)			
2.4 RS (4G64 (16V))		Gasolina	FWD	2351	106	144	05.99-03.05	*
2.4 (4G64 (16V))		Gasolina	FWD	2351	110	150	05.99-03.05	*
3.0 (6G72 (SOHC 24V))		Gasolina	FWD	2972	149	203	05.99-03.05	*
3.0 (6G72 (SOHC 24V))		Gasolina	FWD	2972	157	213	05.99-03.05	*
ECLIPSE III (D5_A) 04.99-12.05					Coupé (Executive car-E Segment)			
2.4 (4G64 (16V))		Gasolina	FWD	2351	110	150	05.99-03.05	*
3.0 (6G72 (SOHC 24V))		Gasolina	FWD	2972	149	203	05.99-03.05	*
3.0 (6G72 (SOHC 24V))		Gasolina	FWD	2972	157	213	05.99-03.05	*
FTO (DE_A) 09.94-07.01					Coupé (Sports car-S Segment)			
1.8 2D		Gasolina	FWD	1795			09.94-	*
2.0 (DE3A) (6A12 (DOHC))		Gasolina	FWD	1999	127	173	09.94-07.01	*
GALANT VI (E3_A) 11.87-03.93					Sedán (Compact car-C Segment)			
1.8 (E32A) (4G37)		Gasolina	FWD	1755	63	86	11.87-08.90	*
1.8 (E32A) (4G37)		Gasolina	FWD	1755	66	90	11.87-10.92	*
2.0 (E39A, E38A, E33A) (4G63 (SOHC 8V))		Gasolina	FWD	1997	80	109	11.87-10.92	*
2.0 4WD (E39A, E38A, E33A) (4G63 (SOHC 8V))		Gasolina	4WD	1997	80	109	12.88-10.92	*
2.0 GTi 16V (E39A, E38A, E33A) (4G63 (DOHC 16V))		Gasolina	FWD	1997	106	144	11.87-10.92	*
2.0 GTi 16V 4WD (E39A, E38A, E33A) (4G63 (DOHC 16V))		Gasolina	4WD	1997	106	144	06.88-10.92	*
2.0 GTi 16V (E39A, E38A, E33A) (4G63 (DOHC 16V))		Gasolina	FWD	1997	107	145	11.88-10.92	*
2.0 GTi 16V Cat 4WD (E38A, E39A, E33A) (4G63 (DOHC 16V))		Gasolina	4WD	1997	110	150	09.91-10.92	*

LISTA DE APLICACIONES - BUYERS GUIDE

1.8 D (E34A) (4D65)		Diesel	FWD	1795	44	60	01.88-10.92	*
1.8 Turbo-D (E34A) (4D65 T)		Diesel	FWD	1795	55	75	12.87-10.92	*
GALANT VI / ETERNA (E3_A) 11.88-12.92							[CAMBIADO]:Fastback (Compact car-C Segment)	
1.8 (4G37)		Gasolina	FWD	1755	63	86	11.88-10.92	*
1.8 (E32A) (4G37)		Gasolina	FWD	1755	66	90	11.88-10.92	*
2.0 (E39A, E38A, E33A) (4G63 (SOHC 8V))		Gasolina	FWD	1997	80	109	04.89-10.92	*
2.0 4WD (E33A, E38A, E39A) (4G63 (SOHC 8V))		Gasolina	4WD	1997	80	109	04.89-10.92	*
2.0 GTi 16V (E39A, E38A, E33A) (4G63 (DOHC 16V))		Gasolina	FWD	1997	106	144	11.88-10.92	*
2.0 GTi 16V 4x4 (E38A, E39A, E33A) (4G63 (DOHC 16V))		Gasolina	4WD	1997	106	144	07.89-12.92	*
2.0 GTi 16V (E39A, E38A, E33A) (4G63 (DOHC 16V))		Gasolina	FWD	1997	107	146	11.88-10.92	*
1.8 Turbo-D (E34A) (4D65 T)		Diesel	FWD	1795	55	75	11.88-10.92	*
GALANT VII (E5_A, E7_A, E8_A) 11.92-10.96							[CAMBIADO]:Fastback (Compact car-C Segment)	
1.8 (E52A) (4G93 (SOHC 16V))		Gasolina	FWD	1834	85	116	02.94-08.96	*
1.8 GLSI (E52A) (4G93 (SOHC 16V))		Gasolina	FWD	1834	93	126	11.92-08.96	*
2.0 GLSI (E55A) (4G63 (SOHC 16V))		Gasolina	FWD	1997	101	137	11.92-08.96	*
2.0 GLSI 4WD (E75A) (4G63 (SOHC 16V))		Gasolina	4WD	1997	101	137	11.92-08.96	*
2.0 V6-24 (E64A, E54A) (6A12)		Gasolina	FWD	1999	110	150	11.92-08.96	*
2.0 GLSTD (E57A) (4D68 T)		Diesel	FWD	1998	66	90	11.92-08.96	*
GALANT VII (E5_A, E7_A, E8_A) 06.92-12.98							Sedán (Compact car-C Segment)	
1.8 (E52A) (4G93 (SOHC 16V))		Gasolina	FWD	1834	85	116	02.94-08.96	*
1.8 GLSI (E52A) (4G93 (SOHC 16V))		Gasolina	FWD	1834	93	126	11.92-08.96	*
2.0 (4G63 (SOHC 16V))		Gasolina	FWD	1997	100	136	11.92-08.96	*
2.0 GLSI (E55A) (4G63 (SOHC 16V))		Gasolina	FWD	1997	101	137	11.92-08.96	*
2.0 GLSI 4WD (E75A) (4G63 (SOHC 16V))		Gasolina	4WD	1997	101	137	11.92-08.96	*
2.0 V6-24 (E64A, E54A) (6A12)		Gasolina	FWD	1999	110	150	11.92-08.96	*
2.0 GLSTD (E57A) (4D68 T)		Diesel	FWD	1998	66	90	11.92-08.96	*
GALANT VIII / ASPIRE (EA_) 09.96-10.04							Sedán (Executive car-E Segment)	
1.8 GDi (EA1A) (4G93 (GDI))		Gasolina	FWD	1834	103	140	11.97-10.01	*
2.0 (EA2A) (4G63 (SOHC 16V))		Gasolina	FWD	1997	98	133	09.00-10.04	*
2.0 (EA2A) (4G63 (SOHC 16V))		Gasolina	FWD	1997	100	136	09.96-09.00	*
2.0 GDI (EA7A) (4G94 (GDI))		Gasolina	FWD	1999	107	146	01.97-10.04	*
2.4 GDI (EA3A) (4G64 (GDI))		Gasolina	FWD	2351	110	150	02.99-09.00	*
2.5 V6 24V (EA5A) (6A13)		Gasolina	FWD	2498	120	163	09.96-09.00	*
2.5 Type S (EC5A) (6A13)		Gasolina	FWD	2498	151	205	10.99-10.04	*
2.0 TDI (EA6A) (4D68 T)		Diesel	FWD	1998	66	90	09.96-10.04	*
GALANT VIII / LEGNUM (EA_, EC_) 09.96-10.03							[CAMBIADO]:Break (Executive car-E Segment)	
2.0 (EA2W) (4G63 (SOHC 16V))		Gasolina	FWD	1997	98	133	09.00-10.03	*
2.0 (EA2W) (4G63 (SOHC 16V))		Gasolina	FWD	1997	100	136	09.96-09.00	*
2.4 GDI (EA3W) (4G64 (GDI))		Gasolina	FWD	2351	110	150	02.99-10.03	*
2.5 V6 24V (EA5W) (6A13)		Gasolina	FWD	2498	120	163	09.96-09.00	*
2.5 V6 24V (EC5W) (6A13TT)		Gasolina	4WD	2498	206	280	09.96-12.02	*
2.0 TDI (EA6W) (4D68 T)		Diesel	FWD	1998	66	90	09.96-10.03	*
2.8 TD (4M40-T)		Diesel	FWD	2835	92	125	10.96-07.01	*
LANCER III (C6_A, C7_A) 04.88-05.94							[CAMBIADO]:Fastback (Supermini car-B Segment)	
1.6 16V (C76A, C66A) (4G92 (SOHC 16V))		Gasolina	FWD	1597	83	113	06.92-05.94	*
1.6 4WD (C76A, C66A) (4G92 (SOHC 16V))		Gasolina	4WD	1597	84	114	06.92-11.93	*
1.8 GTi 16V (C69A) (4G93 (DOHC 16V))		Gasolina	FWD	1834	103	140	06.92-12.93	*

LISTA DE APLICACIONES - BUYERS GUIDE

1.8 GTi 16V (C68A) (4G67)	Gasolina	FWD	1836	100	136	11.89-05.92	*
LANCER III / LIBERO (CB_A, CD_A, CE_A) 07.91-12.96				Sedán (Supermini car-B Segment)			
1.8 GTi (CB5A)	Gasolina	FWD	1834	100	136	07.91-07.93	*
1.8 16V (CB5A) (4G93 (DOHC 16V))	Gasolina	FWD	1834	103	140	06.92-12.93	*
LANCER III-IV / LIBERO Station Wagon (CB_W, CD_W) 09.92-10.03				[CAMBIADO]:Break (Compact car-C Segment)			
1.6 16V 4WD (CD4W) (4G92 (SOHC 16V))	Gasolina	4WD	1597	83	113	12.92-10.03	*
MIRAGE III (C5_ - C8_) 01.87-12.91				[CAMBIADO]:Fastback (Supermini car-B Segment)			
1.3 GS	Gasolina	FWD	1298	49	67	07.90-11.91	*
1.3 GS (C51A)	Gasolina	FWD	1298	49	67	07.90-11.91	*
1.5 GS	Gasolina	FWD	1468	73	99	07.90-11.91	*
1.5 GS (C52A)	Gasolina	FWD	1468	73	99	07.90-11.91	*
MIRAGE III (C5_ - C8_) 05.88-06.92				Sedán (Supermini car-B Segment)			
1.5	Gasolina	FWD	1468	73	99	07.90-11.91	*
1.5 12V	Gasolina	FWD	1468	73	99	07.90-11.91	*
1.8 D	Diesel	RWD	1795	45	61	05.88-11.91	*
1.8 D	Diesel	RWD	1795	45	61	05.88-11.91	*
MIRAGE IV (CJ_A, CL_A, CA_A, CC_A) 07.91-07.03				[CAMBIADO]:Fastback (Supermini car-B Segment)			
1.8 GTI	Gasolina	FWD	1834	103	140	12.91-07.03	*
MIRAGE IV 12.91-08.95				Sedán (Supermini car-B Segment)			
1.5 GE MVV (CB2A) (4G15 (12V))	Gasolina	FWD	1468	68	92	12.91-08.95	*
1.8 Gsi	Gasolina	FWD	1834	103	140	12.91-08.95	*
MIRAGE IV Station Wagon 12.91-07.03				[CAMBIADO]:Break (Supermini car-B Segment)			
1.8 GTI	Gasolina	FWD	1834	103	140	08.01-07.03	*
NIMBUS 01.84-				Bus (Minibus-M2-Segment)			
2.4 UG, UF	Gasolina	FWD	2395			01.84-	*
SANTAMO (UG) 03.99-12.04				MPV (Large MPV-M1 Segment)			
2.0 16V (4G63 (DOHC 16V))	Gasolina	FWD	1997	102	139	05.99-12.04	*
2.0 16V 4WD (4G63 (DOHC 16V))	Gasolina	4WD	1997	102	139	05.99-12.04	*
SAPORO II (E16A) 06.87-08.90				Coupé (Supermini car-B Segment)			
2.4 (E16A) (4G64 (8V))	Gasolina	FWD	2351	91	124	06.87-08.90	*
SPACE RUNNER / RVR (N1_W, N2_W) 10.91-08.99				MPV (Mini MPV-M1 Segment)			
1.8 (N11W) (4G93 (SOHC 16V))	Gasolina	FWD	1834	85	116	06.96-08.99	*
1.8 4WD (N21W) (4G93 (SOHC 16V))	Gasolina	4WD	1834	85	116	06.96-08.99	*
1.8 (N11W) (4G93 (SOHC 16V))	Gasolina	FWD	1834	90	122	10.91-08.99	*
1.8 4WD (N21W) (4G93 (SOHC 16V))	Gasolina	4WD	1834	90	122	10.91-08.99	*
2.0 16V (N13W) (4G63 (DOHC 16V))	Gasolina	FWD	1997	98	133	03.93-12.97	*
2.0 TD (N18W) (4D68 T)	Diesel	FWD	1998	60	82	10.92-08.99	*
SPACE WAGON II / CHARIOT / NIMBUS (N3_W, N4_W) 05.91-11.00				MPV (Compact MPV-M1 Segment)			
1.8 (N31W) (4G93 (SOHC 16V))	Gasolina	FWD	1834	90	122	10.91-10.98	*
1.8 4WD (N41W) (4G93 (SOHC 16V))	Gasolina	4WD	1834	90	122	10.91-10.98	*
2.0 (N33W) (4G63 (SOHC 8V))	Gasolina	FWD	1997	77	105	05.91-10.97	*
2.0 (N33W) (4G63 (SOHC 16V))	Gasolina	FWD	1997	98	133	10.92-10.98	*
2.0 4WD (N43W) (4G63 (SOHC 16V))	Gasolina	4WD	1997	98	133	10.92-10.98	*
2.4 (4G64 (16V))	Gasolina	FWD	2351	85	116	04.92-05.95	*
2.4 4WD (N44W) (4G64 (16V))	Gasolina	4WD	2351	86	117	10.91-10.97	*
2.4 (N34W) (4G64 (16V))	Gasolina	FWD	2351	88	120	10.91-10.97	*

LISTA DE APLICACIONES - BUYERS GUIDE

2.4 i (N34W) (4G64 (16V))		Gasolina	FWD	2351	102	139	10.92-10.98	*
1.8 TD (N35W) (4D65 T)		Diesel	FWD	1795	55	75	10.91-10.98	*
2.0 TD (N38W) (4D68 T)		Diesel	FWD	1998	60	82	10.92-10.98	*
PLYMOUTH								
LASER 09.89-12.94					[CAMBIADO]:Fastback (Compact car-C Segment)			
2.0 ABS		Gasolina	FWD	1995	101	137	09.89-	*
2.0 Turbo ABS		Gasolina	FWD	1995	146	198	09.89-	*
PROTON								
PERDANA 02.95-05.13					Sedán (Executive car-E Segment)			
2.0 i 16V		Gasolina	FWD	1997	101	137	02.95-08.99	*
2.0 i V6		Gasolina	FWD	1998	110	150	02.99-05.13	*
PERSONA 300 / SATRIA (C9_M) 03.96-07.04					[CAMBIADO]:Fastback (Compact car-C Segment)			
316 (4 G 92)		Gasolina	FWD	1597	70	95	03.96-07.04	*
316 GLXi (4 G 92)		Gasolina	FWD	1597	83	113	03.96-07.00	*
1.8 GTI		Gasolina	FWD	1795	98	134	03.96-	*
318 16V GTI (4 G 93 (DOHC))		Gasolina	FWD	1834	99	135	03.96-07.00	*
1.8 GTI		Gasolina	FWD	1834	103	140	08.00-07.04	*
PERSONA 400 / WIRA (C9_C, C9_S) 01.94-02.08					[CAMBIADO]:Fastback (Compact car-C Segment)			
416 i (4 G 92)		Gasolina	FWD	1597	70	95	12.95-07.00	*
416 GLXi (4 G 92)		Gasolina	FWD	1597	83	113	01.94-07.00	*
418 GLXi (4 G 93 (DOHC))		Gasolina	FWD	1834	85	115	05.96-07.00	*
1.8 (4 G 93 (DOHC))		Gasolina	FWD	1834	99	135	08.00-12.01	*
PERSONA 400 / WIRA (C9_S) 01.94-02.08					Sedán (Compact car-C Segment)			
416 (4 G 92)		Gasolina	FWD	1597	70	95	08.00-02.02	*
416 GLXi (4 G 92)		Gasolina	FWD	1597	83	113	01.94-07.00	*
418 (4 G 93 (DOHC))		Gasolina	FWD	1834	85	115	05.96-07.00	*
1.8 (4 G 93 (DOHC))		Gasolina	FWD	1834	99	135	08.00-12.01	*
PUTRA / M21 01.95-11.01					Coupé (Compact car-C Segment)			
1.8 M21 16V		Gasolina	FWD	1795	98	134	01.95-	*
SATRIA / COMPACT (C9_M) 07.95-06.07					[CAMBIADO]:Fastback (Supermini car-B Segment)			
1.6 (4 G 92)		Gasolina	FWD	1597	70	94	07.97-07.00	*
1.6 (4 G 92)		Gasolina	FWD	1597	83	111	07.97-05.06	*
1.8 GTI (4 G 93 (DOHC))		Gasolina	FWD	1834	103	140	08.00-05.06	*
WIRA (C9_L) 01.94-06.07					[CAMBIADO]:Fastback (Compact car-C Segment)			
1.8		Gasolina	FWD	1834	99	135	08.00-12.01	*
WIRA 05.93-12.09					Sedán (Compact car-C Segment)			
1.6 (4 G 92)		Gasolina	FWD	1597	70	95	08.00-02.02	*
1.8		Gasolina	FWD	1834	99	135	08.00-12.01	*