

# LISTA DE APLICACIONES - BUYERS GUIDE

## RB0761-700

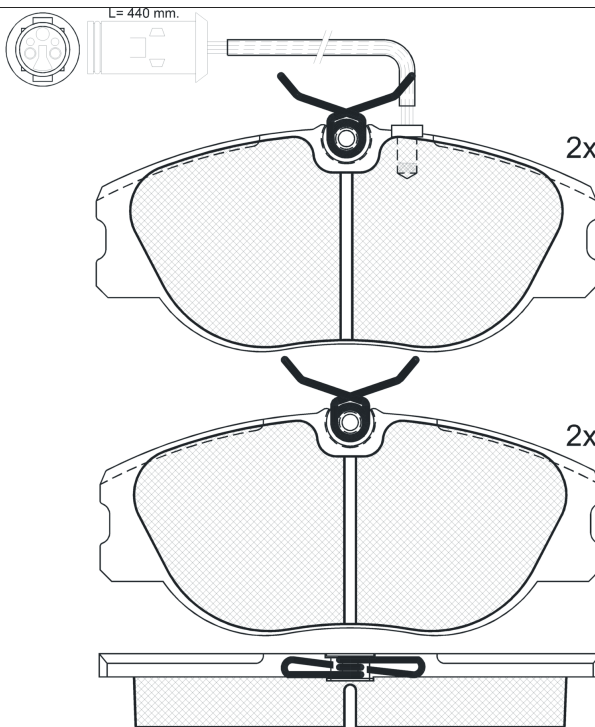


8 424073 122650

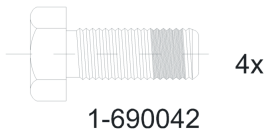
Qty: 300

Weight: 1.700

O.E.M.	MAKE
0060 735 630	ALFA ROMEO
0060 743 417	ALFA ROMEO
0060 743 563	ALFA ROMEO
0060 760 106	ALFA ROMEO
0060 760 124	ALFA ROMEO
0060 760 160	ALFA ROMEO
16 410 220 520 130	ALFA ROMEO
16 414 220 520 130	ALFA ROMEO
16 416 220 520 130	ALFA ROMEO
60 743 417	ALFA ROMEO
60 743 563	ALFA ROMEO
60 760 106	ALFA ROMEO
60 760 124	ALFA ROMEO
7 174 838 6	ALFA ROMEO
7 736 234 6	ALFA ROMEO
8 245 132 0	LANCIA
9 941 175	LANCIA
9 941 5815	FIAT
9 944 329	LANCIA
9 945 815	LANCIA
9 945 816	LANCIA
9 946 788	FIAT
9 947 474	FIAT
9 947 499	FIAT



## 180761-700



## RB0761-700



Lucas - Girling

129.86x59.01x19.3

WVA	FMSI
21074	D590-7469
21075	
21146	
21147	
21148	

Sin Filas



Trac.	CC	Kw	CV
-------	----	----	----



Front / Rear

### ALFA ROMEO

#### 164 / 168 (164\_) 01.87-10.98

#### Sedán (Executive car-E Segment)

Model	Engine	Trac.	CC	Kw	CV	Period	Notes
2.0 Turbo (164A2B) (AR 06476)	Gasolina	FWD	1995	128	174	10.87-09.98	*
2.0 Turbo (164A2B) (AR 06476)	Gasolina	FWD	1995	129	175	02.88-10.92	*
2.0 Turbo	Gasolina	FWD	1995	148	201	07.90-10.92	*
2.0 Turbo	Gasolina	FWD	1995	152	207	07.90-10.92	*
2.0 V6 Turbo (164.K3) (AR 64102)	Gasolina	FWD	1996	148	201	09.92-09.98	*
2.0 V6 Turbo (164.A2G, 164.A2F) (AR 64101)	Gasolina	FWD	1996	150	204	03.91-09.92	*
2.5 V6 (164A1C) (AR 66201)	Gasolina	FWD	2492	120	163	09.92-09.98	*
3.0 V6 (164.H1A, 164.H1B, 164.K1P) (AR 64303)	Gasolina	FWD	2959	132	180	09.92-09.98	*
3.0 V6 (164.H1A, 164.H1B, 164.K1P) (AR 64305)	Gasolina	FWD	2959	132	180	09.92-09.98	*
3.0 V6 (164.H1A, 164.H1B, 164.K1P) (AR 64399)	Gasolina	FWD	2959	132	180	09.92-09.98	*
3.0 V6 (164.H1A, 164.H1B, 164.K1P) (AR 66303)	Gasolina	FWD	2959	132	180	09.92-09.98	*
3.0 V6 (164.AD, 164.AH, 164.AB) (AR 06412)	Gasolina	FWD	2959	135	184	06.87-09.92	*
3.0 (164AG) (AR 06410)	Gasolina	FWD	2959	136	185	09.90-12.93	*
3.0 (164A) (AR 06410)	Gasolina	FWD	2959	138	188	11.87-09.91	*
3.0 V6 (164.A) (AR 06410)	Gasolina	FWD	2959	141	192	06.87-09.92	*
3.0	Gasolina	FWD	2959	145	197	10.94-08.97	*
3.0	Gasolina	FWD	2959	147	200	02.88-10.92	*
3.0 i.e. QV (164.AG) (AR 06430)	Gasolina	FWD	2959	147	200	09.90-09.92	*
3.0 i.e. QV (164.AG) (AR 64301)	Gasolina	FWD	2959	147	200	09.90-09.92	*
3.0 24V (164K1G, 164K1F) (AR 66302)	Gasolina	FWD	2959	154	209	03.95-10.97	*
3.0 24V (164.K1) (AR 64306)	Gasolina	FWD	2959	155	211	09.92-09.98	*
3.0 24V (164.K1) (AR 66301)	Gasolina	FWD	2959	155	211	09.92-09.98	*
3.0 24V (164.K1) (AR 66302)	Gasolina	FWD	2959	155	211	09.92-09.98	*

# LISTA DE APLICACIONES - BUYERS GUIDE

3.0		Gasolina	FWD	2959	157	213	03.95-10.97	*
3.0 (164H1) (AR 64304)		Gasolina	FWD	2959	168	228	04.93-02.95	*
3.0 (164H1) (AR 64304)		Gasolina	FWD	2959	170	231	03.95-08.97	*
3.0 24V Q4 (164.K1M, 164.K1C) (AR 64307)		Gasolina	4WD	2959	170	231	02.94-09.98	*
3.0 24V Q4 (164.K1M, 164.K1C) (AR 64308)		Gasolina	4WD	2959	170	231	02.94-09.98	*
3.0 24V QV (164.H1) (AR 64304)		Gasolina	FWD	2959	171	233	09.92-09.98	*
3.0 24V QV A las 4 ruedas (164K1H) (AR 64304)		Gasolina	4WD	2959	171	233	11.92-10.97	*
3.0 24V QV A las 4 ruedas (164K1H) (AR 64307)		Gasolina	4WD	2959	171	233	11.92-10.97	*
2.5 TD (164.A1A) (VM 84 A)		Diesel	FWD	2499	84	114	06.87-09.92	*
2.5 TD (164.K2A, 164.K2B) (VM 08 B)		Diesel	FWD	2499	92	125	09.92-09.98	*
2.5 TD (164.K2A, 164.K2B) (VM 32 B)		Diesel	FWD	2499	92	125	09.92-09.98	*
<b>FIAT</b>								
<b>CROMA (154_) 12.85-12.96</b>					<b>[CAMBIADO]:Fastback (Large family car-D Segment)</b>			
2000 i.e. Turbo (154.AM, 154.LM) (154 C4.046)		Gasolina	FWD	1995	110	150	06.87-08.96	*
2000 i.e. Turbo (154.AM, 154.LM) (834 C.146)		Gasolina	FWD	1995	110	150	06.87-08.96	*
<b>TIPO (160_) 07.87-10.97</b>					<b>[CAMBIADO]:Fastback (Compact car-C Segment)</b>			
2.0 i.e. 16V Sport (160.EF) (836 A3.000)		Gasolina	FWD	1995	102	139	03.93-04.95	*
2.0 16V (160.AV) (160 A8.046)		Gasolina	FWD	1995	107	146	07.91-04.95	*
<b>LANCIA</b>								
<b>DEDRA (835_) 01.89-07.99</b>					<b>Sedán (Large family car-D Segment)</b>			
2.0 i.e.		Gasolina	FWD	1995	74	101	01.89-	*
2.0 16V (835ED) (836 A3.000)		Gasolina	FWD	1995	102	139	07.94-07.99	*
<b>DEDRA SW (835_) 07.94-07.99</b>					<b>[CAMBIADO]:Break (Large family car-D Segment)</b>			
2.0 16V (835ED) (836 A3.000)		Gasolina	FWD	1995	102	139	07.94-07.99	*
<b>DELTA (831_) 09.79-01.94</b>					<b>[CAMBIADO]:Fastback (Compact car-C Segment)</b>			
2.0 HF Integrale (831AB.024S, 831AB.028) (831 B5.000)		Gasolina	4WD	1995	122	166	11.86-08.88	*
2.0 HF Integrale (831AB.024S, 831AB.028) (831 C5.046)		Gasolina	4WD	1995	130	177	12.86-12.92	*
2.0 HF Integrale (831AB.024S, 831AB.028) (831 C5.000)		Gasolina	4WD	1995	133	181	10.87-12.91	*
2.0 16V HF Integrale (831AB.026) (831 D5.000)		Gasolina	4WD	1995	144	196	03.89-09.91	*
<b>DELTA II (836_) 06.93-09.99</b>					<b>[CAMBIADO]:Fastback (Compact car-C Segment)</b>			
2.0 16V (836AA, 836CA) (836 A3.000)		Gasolina	FWD	1995	102	139	06.93-08.99	*
<b>THEMA (834_) 11.84-07.94</b>					<b>Sedán (Executive car-E Segment)</b>			
2000 16V (834FA) (834 F1.000)		Gasolina	FWD	1995	112	152	08.92-12.93	*
2000 i.e. 16V Turbo (834AL) (834 C1.246)		Gasolina	FWD	1995	130	177	04.89-05.92	*
2000 16V Turbo (834AC) (834 C1.000)		Gasolina	FWD	1995	133	181	12.88-06.90	*
2000 16V Turbo (834GC, 834FC) (834 F2.000)		Gasolina	FWD	1995	148	201	10.92-07.94	*
8.32 (834FS) (F 105 L.046)		Gasolina	FWD	2927	151	205	10.87-05.92	*
8.32 (834F) (F 105 L)		Gasolina	FWD	2927	158	215	09.87-05.89	*
<b>THEMA SW (834_) 03.87-07.94</b>					<b>[CAMBIADO]:Break (Executive car-E Segment)</b>			
2000 16V (834FA) (834 F1.000)		Gasolina	FWD	1995	112	152	05.92-07.94	*
2000 i.e. Turbo (834.05) (834 C.000)		Gasolina	FWD	1995	122	166	06.87-07.94	*
2000 i.e. 16V Turbo (834AL) (834 C1.246)		Gasolina	FWD	1995	130	177	04.89-03.93	*