

LISTA DE APLICACIONES - BUYERS GUIDE

**RB0744-700**

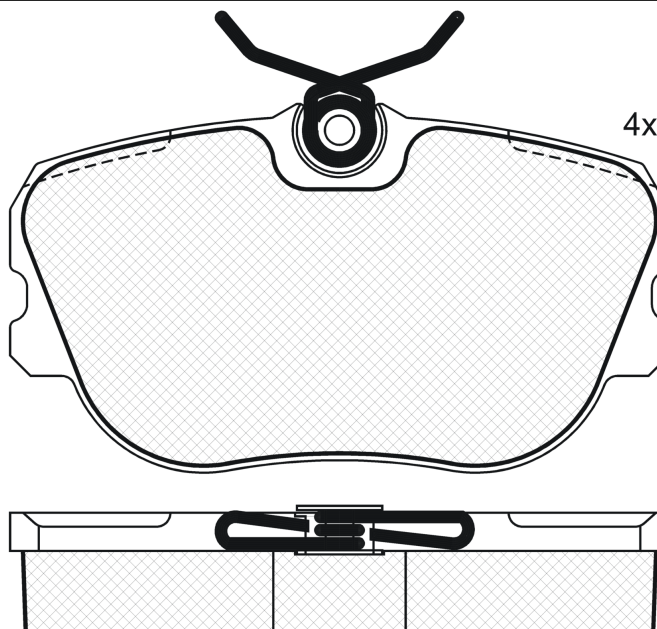


8 424073 122438

Qty: 300

Weight: 1.147

O.E.M.	MAKE
89 67 077	SAAB
89 68 018	SAAB
89 93 974	SAAB



**RB0744-700**



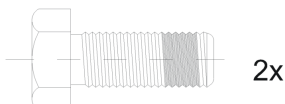
Lucas - Girling

94.8x52.6x17.7

WVA	FMSI
21067	D439-7323
21068	



Sin Filas

**180744-700**



1-690022



Trac.	CC	Kw	CV		
					Front / Rear

**SAAB**

					<b>[CAMBIADO]:Fastback (Compact executive car-D Segment)</b>				
<b>900 06.78-06.94</b>									
2.0 (B201)		Gasolina	FWD	1985	74	100	04.84-10.91	*	
2.0 i (B201)		Gasolina	FWD	1985	81	110	09.80-08.90	*	
2.0 -16 (B202I)		Gasolina	FWD	1985	93	126	01.89-08.92	*	
2.0 Turbo (B201XL)		Gasolina	FWD	1985	103	140	10.86-12.91	*	
2.0 S Turbo-16 (B202S)		Gasolina	FWD	1985	104	141	09.91-07.93	*	
2.0 -16 (B202S)		Gasolina	FWD	1985	107	145	05.91-10.93	*	
2.0 Turbo-16 S Cat (B202XL)		Gasolina	FWD	1985	125	170	01.89-12.93	*	
2.0 Turbo-16 (B202L)		Gasolina	FWD	1985	132	180	01.93-06.94	*	
2.1 -16 (B212I)		Gasolina	FWD	2119	100	136	09.90-07.93	*	
2.1 16 S		Gasolina	FWD	2119	107	145	10.89-07.92	*	
<b>900 10.85-12.94</b>					<b>Cabrió (Compact executive car-D Segment)</b>				
2.0 (B201)		Gasolina	FWD	1985	81	110	10.85-09.89	*	
2.0 -16 (B202I)		Gasolina	FWD	1985	93	126	01.90-06.94	*	
2.0 S Turbo-16 (B202S)		Gasolina	FWD	1985	104	141	09.91-06.94	*	
2.0 (B202S)		Gasolina	FWD	1985	107	145	05.91-10.93	*	
2.0 Turbo-16 (B202XL)		Gasolina	FWD	1985	118	160	11.86-06.94	*	
2.0 Turbo-16 S (B202XL)		Gasolina	FWD	1985	129	175	11.86-06.94	*	
2.1 -16 (B212I)		Gasolina	FWD	2119	100	136	08.90-06.94	*	
2.1 16 S		Gasolina	FWD	2119	107	145	10.89-07.92	*	
<b>900 (AC4, AM4) 01.79-12.93</b>					<b>Sedán (Compact executive car-D Segment)</b>				
2.0 i (B201)		Gasolina	FWD	1985	81	110	09.80-08.90	*	
2.0 i (B201XI)		Gasolina	FWD	1985	85	115	11.80-08.90	*	

## LISTA DE APLICACIONES - BUYERS GUIDE

2.0 i (B120)		Gasolina	FWD	1985	85	115	11.80-08.90	*
2.0 -16 (B202I)		Gasolina	FWD	1985	93	126	01.89-12.93	*
2.0 (B202I)		Gasolina	FWD	1985	98	133	10.87-10.91	*
2.0 Turbo (B201XL)		Gasolina	FWD	1985	103	140	10.86-12.91	*
2.0 S Turbo-16 (B202S)		Gasolina	FWD	1985	104	141	07.91-12.93	*
2.0 S Turbo-16 (B202S)		Gasolina	FWD	1985	107	146	01.92-12.93	*
2.0 Turbo-16 (B202XL)		Gasolina	FWD	1985	118	160	11.85-12.93	*
2.1 -16 (B212I)		Gasolina	FWD	2119	100	136	08.90-12.93	*
2.1 16 S		Gasolina	FWD	2119	107	145	10.89-07.92	*
<b>9000 09.84-12.98</b>						<b>[CAMBIADO]:Fastback (Executive car-E Segment)</b>		
2.0 -16 (B202XI)		Gasolina	FWD	1985	92	125	12.85-12.88	*
2.0 -16 (B202XI)		Gasolina	FWD	1985	94	128	12.85-08.88	*
2.0 -16 CS (B202I)		Gasolina	FWD	1985	94	128	01.89-12.98	*
2.0 -16 Turbo (B202XL)		Gasolina	FWD	1985	118	160	09.84-08.93	*
<b>9000 04.85-12.98</b>						<b>Sedán (Executive car-E Segment)</b>		
2.3 -16 CDE (B234I)		Gasolina	FWD	2290	108	147	09.93-12.98	*
2.3 -16 Turbo (B234L)		Gasolina	FWD	2290	143	195	09.90-12.98	*