

LISTA DE APLICACIONES - BUYERS GUIDE

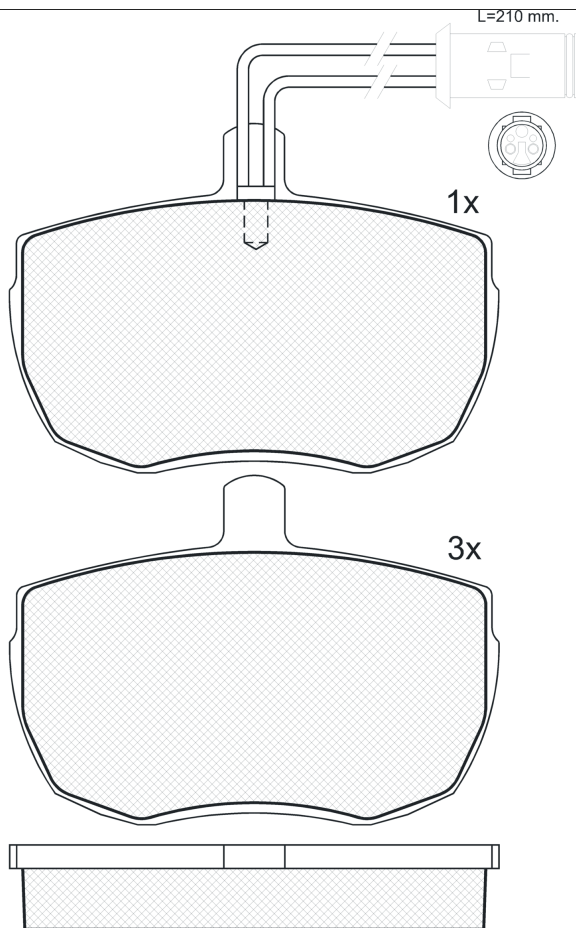
RB0672



Qty: 300

Weight: 1.500

O.E.M.	MAKE
0060 796 399 9	ALFA ROMEO
7 663 999	ALFA ROMEO
7 963 999	ROVER
86 60 004 772	RENAULT
86 71 016 765	RENAULT
GBP287	ROVER
GBP90287	LDV
GBP90290	ROVER
GBP90292	CARBODIES
RTC-4518	LAND ROVER
SFP500220	LAND ROVER
STC-8568	LAND ROVER
STC-9146	LAND ROVER
STC-9186	LAND ROVER
STC-9187	LAND ROVER



RB0672



AP-Lockheed

104.9x74.7x18

WVA	FMSI
20359	D519-7400
20608	
21160	
21480	

Sin Filas



Trac.	CC	Kw	CV
-------	----	----	----



Front / Rear

ALFA ROMEO

AR 8 (280_) 04.78-12.89							[CAMBIADO]:Furgón (LCVs-N1 Segment)	
2.4 D (280) (8140.61.200)		Diesel	FWD	2445	53	72	04.78-08.86	*
2.4 TD (280) (8140.21.200 D.I.)		Diesel	FWD	2445	68	92	04.85-12.89	*
2.5 D (280) (8144.67.220)		Diesel	FWD	2499	55	75	09.86-12.89	*
AR 8 (280_) 04.78-12.89							Caja/Chasis (LCVs-N1 Segment)	
2.4 D (280) (8140.61.200)		Diesel	FWD	2445	53	72	04.78-08.86	*
2.4 TD (280) (8140.21.200 D.I.)		Diesel	FWD	2445	68	92	04.85-12.88	*
2.5 D (280) (8144.67.220)		Diesel	FWD	2499	55	75	09.86-12.89	*

CARBODIES

FX FAIRWAY 01.87-12.96							Sedán (Taxicabs-M1 Segment)	
2.7 TD (TD27)		Diesel	RWD	2663	63	86	01.87-12.96	*

FORD

TRANSIT III (T_) 09.85-09.92							[CAMBIADO]:Furgón (LCVs-N1 Segment)	
1.6 (TAS) (LAT)		Gasolina	RWD	1593	46	63	09.85-09.92	*
1.6 (L3C)		Gasolina	RWD	1598	62	84	10.85-07.87	*
2.0 (NAW)		Gasolina	RWD	1993	56	76	10.85-03.91	*
2.0 (NAX)		Gasolina	RWD	1993	56	76	10.85-03.91	*
2.0		Gasolina	RWD	1993	60	82	10.85-03.91	*
2.0 (TAL, TAS, TGL, TWS) (NAT)		Gasolina	RWD	1994	57	78	09.85-09.92	*
2.0 (TAL, TAS, TGL, TWS) (NAV)		Gasolina	RWD	1994	57	78	09.85-09.92	*
2.5 D (TAL, TAS, TGL, TWS) (4AB)		Diesel	RWD	2496	50	68	01.86-09.91	*
2.5 D (TAL, TAS, TGL, TWS) (4BA)		Diesel	RWD	2496	52	71	10.88-09.91	*

LISTA DE APLICACIONES - BUYERS GUIDE

2.5 D (TAL, TAS, TGL, TWS) (4CA)	Diesel	RWD	2496	52	71	10.88-09.91	*
TRANSIT III (T_) 10.85-09.92				Bus (Minibus-M2-Segment)			
2.0 L (NAW)	Gasolina	RWD	1993	56	76	10.85-03.91	*
2.0 L (NAX)	Gasolina	RWD	1993	56	76	10.85-03.91	*
2.0 (N6TS)	Gasolina	RWD	1993	60	82	10.85-03.91	*
2.0 (TBS, TCL, TCS, TEL, TES) (NAT)	Gasolina	RWD	1994	57	78	11.85-09.92	*
2.0 (TBS, TCL, TCS, TEL, TES) (NAV)	Gasolina	RWD	1994	57	78	11.85-09.92	*
2.5 D (TBS, TCL, TCS, TEL, TES) (4AB)	Diesel	RWD	2496	50	68	12.85-01.89	*
2.5 D (TBS, TEL, TES) (4BA)	Diesel	RWD	2496	52	71	09.88-09.92	*
2.5 D (TBS, TEL, TES) (4CA)	Diesel	RWD	2496	52	71	09.88-09.92	*
TRANSIT III (T_) 10.85-09.92				Caja/Chasis (LCVs-N1 Segment)			
1.6	Gasolina	FWD	1598	62	84	01.78-12.88	*
2.0 Cat (TUL) (N6T)	Gasolina	RWD	1993	57	78	11.85-09.92	*
2.0 (TTE, TTL, TTS) (NAT)	Gasolina	RWD	1994	57	78	01.86-09.92	*
2.0 (TTE, TTL, TTS) (NAV)	Gasolina	RWD	1994	57	78	01.86-09.92	*
2.5 D (TTL, TTS, TUL, TUS, TTE) (4AB)	Diesel	RWD	2496	50	68	01.86-01.89	*
2.5 DI (TTE, TTL, TTS, TUL) (4BA)	Diesel	RWD	2496	52	71	09.88-09.92	*
2.5 DI (TTE, TTL, TTS, TUL) (4BB)	Diesel	RWD	2496	52	71	09.88-09.92	*
2.5 DI (TTE, TTL, TTS, TUL) (4CA)	Diesel	RWD	2496	52	71	09.88-09.92	*
2.5 DI (TTE, TTL, TTS, TUL) (4CB)	Diesel	RWD	2496	52	71	09.88-09.92	*
IVECO							
DAILY II 01.89-08.09				[CAMBIADO]:Furgón (LCVs-N1 Segment)			
30-8 (12914111, 12914112, 12914117, 12914131, 12914137,... (8140.07)	Diesel	RWD	2499	55	75	01.89-08.98	*
30-8 (12914111, 12914112, 12914117, 12914131, 12914137,... (8140.07)	Diesel	RWD	2499	55	75	01.89-08.98	*
30-8	Diesel	RWD	2499	60	82	01.89-08.98	*
30-8 (12914111, 12914112, 12914117, 12914131, 12914137,... (8140.67F.)	Diesel	RWD	2499	60	82	01.89-08.98	*
30-8 (14914111, 14914117, 14914211, 14914217, 14915111,... (8140.67F.)	Diesel	RWD	2499	60	82	01.89-08.98	*
DAILY II 01.89-05.99				Caja/Chasis (LCVs-N1 Segment)			
30-8 (12910211, 12911111, 12911112, 12911117, 12911131,... (8140.07)	Diesel	RWD	2499	55	75	01.92-08.98	*
30-8 (12910211, 12911111, 12911112, 12911117, 12911131,...	Diesel	RWD	2499	55	75	01.92-08.98	*
30-8 (10011131, 10011132, 10011231, 10011232, 10011237,... (8140.67F.)	Diesel	RWD	2499	60	82	01.92-08.98	*
30-8 (12910211, 12911111, 12911112, 12911117, 12911131,... (8140.67F.)	Diesel	RWD	2499	60	82	01.92-08.98	*
30-8 (12910211, 12911111, 12911112, 12911117, 12911131,...	Diesel	RWD	2499	60	82	01.92-08.98	*
LAND ROVER							
DISCOVERY (LJ) 06.89-12.98				Closed SUV (Executive SUV-J Segment)			
2.0 16V 4x4 (20 T4H)	Gasolina	4WD	1994	99	135	06.89-10.98	*
3.5 4x4 (27G)	Gasolina	4WD	3528	84	114	11.89-09.90	*
3.5 4x4 (15G)	Gasolina	4WD	3528	98	133	06.89-08.90	*
3.5 4x4 (SALLJG) (22 D)	Gasolina	4WD	3531	113	154	06.89-06.94	*
3.5 4x4 (22 D)	Gasolina	4WD	3531	122	166	06.89-06.94	*
4.0 4x4 (35 D)	Gasolina	4WD	3947	134	182	09.93-10.98	*
4.0 4x4 (36 D)	Gasolina	4WD	3947	134	182	09.93-10.98	*
4.0 4x4 (37 L)	Gasolina	4WD	3947	136	185	09.93-10.98	*
2.5 TDI 4x4 (12 L)	Diesel	4WD	2495	83	113	10.89-10.98	*
2.5 TDI 4x4 (17 L)	Diesel	4WD	2495	83	113	10.89-10.98	*

LISTA DE APLICACIONES - BUYERS GUIDE

2.5 TDI 4x4 (19 L)		Diesel	4WD	2495	83	113	10.89-10.98	*
2.5 TDI 4x4 (21 L)		Diesel	4WD	2495	83	113	10.89-10.98	*
2.5 TDI 4x4 (17 L)		Diesel	4WD	2495	90	122	06.93-10.98	*
2.5 TDI 4x4 (19 L)		Diesel	4WD	2495	90	122	06.93-10.98	*
2.5 TDI 4x4 (22 L)		Diesel	4WD	2495	90	122	06.93-10.98	*
RANGE ROVER I 10.69-04.96					Closed SUV (Executive SUV-J Segment)			
3.5 Vogue 4x4 (11 D)		Gasolina	4WD	3528	93	126	08.81-09.90	*
3.5 4x4 (11 D)		Gasolina	4WD	3528	96	131	10.69-08.91	*
3.5 4x4 (31 D)		Gasolina	4WD	3528	107	146	01.87-09.90	*
3.5 Vogue 4x4 (24 D)		Gasolina	4WD	3528	120	163	10.85-09.90	*
3.5 Vogue 4x4 (25 D)		Gasolina	4WD	3528	120	163	10.85-09.90	*
3.9 Cat 4x4 (37 D)		Gasolina	4WD	3947	127	173	11.88-07.94	*
3.9 Cat 4x4 (38 D)		Gasolina	4WD	3947	127	173	11.88-07.94	*
3.9 Vogue SEI 4x4 (35 D)		Gasolina	4WD	3947	134	182	11.88-07.94	*
3.9 Vogue SEI 4x4 (36 D)		Gasolina	4WD	3947	134	182	11.88-07.94	*
2.4 TD 4x4 (11 A)		Diesel	4WD	2393	78	106	04.86-12.90	*
LDV								
FREIGHT ROVER SHERPA 07.84-03.89					Bus (Minibus-M2-Segment)			
3.5		Gasolina	RWD	3528	103	140	07.84-03.89	*
LTI								
TX 01.97-					[CAMBIADO]:Fastback (Taxicabs-M1 Segment)			
2.4 TDi (D2FA)		Diesel	RWD	2402	66	90	10.02-	*
2.7 TD (TD27)		Diesel	RWD	2664	60	82	01.97-	*
OM								
DAILY I 01.78-					[CAMBIADO]:Furgón (LCVs-N1 Segment)			
2.4 30- 7 GRINTA D		Diesel	RWD	2395	53	72	01.78-	*
2.4 30- 8 GRINTA D		Diesel	RWD	2395	53	72	01.78-	*
2.4 30- 8 V/C GRINTA D		Diesel	RWD	2395	53	72	01.78-	*
2.4 32- 7 GRINTA D		Diesel	RWD	2395	53	72	01.78-	*
2.4 32- 8 GRINTA D		Diesel	RWD	2395	53	72	01.78-	*
2.4 35- 8 GRINTA D		Diesel	RWD	2395	53	72	01.78-	*
2.4 35- 8 V/C GRINTA D		Diesel	RWD	2395	53	72	01.78-	*
2.4 35-10 GRINTA D		Diesel	RWD	2395	68	92	01.78-	*
2.4 35-10 V/C GRINTA D		Diesel	RWD	2395	68	92	01.78-	*
2.5 30- 8 GRINTA D		Diesel	RWD	2495	54	74	01.78-	*
2.5 30- 8 V/C GRINTA D		Diesel	RWD	2495	54	74	01.78-	*
ROVER								
2000-3500 01.64-					[CAMBIADO]:Fastback (Luxury car-F Segment)			
2.0 2000		Gasolina	FWD	1995	83	113	01.64-	*
2300		Gasolina	RWD	2350	92	125	09.77-10.86	*
2600 S (12 C)		Gasolina	RWD	2597	93	126	10.82-10.86	*
2600 S (13 C)		Gasolina	RWD	2597	93	126	10.82-10.86	*
2.7 2700 Vitesse		Gasolina	FWD	2695	125	170	01.64-	*
3.5 3500		Gasolina	FWD	3495	104	141	01.64-	*
3500 (38 A)		Gasolina	RWD	3528	115	156	06.76-10.86	*
3500 (39 A)		Gasolina	RWD	3528	115	156	06.76-10.86	*
3500 Vitesse (30 A)		Gasolina	RWD	3528	142	193	10.82-10.86	*
3500 Vitesse (31 A)		Gasolina	RWD	3528	142	193	10.82-10.86	*

LISTA DE APLICACIONES - BUYERS GUIDE

2400 TD (HR 492 HT)		Diesel	RWD	2393	67	91	05.82-10.86	*
---------------------	--	--------	-----	------	----	----	-------------	---