

# LISTA DE APLICACIONES - BUYERS GUIDE

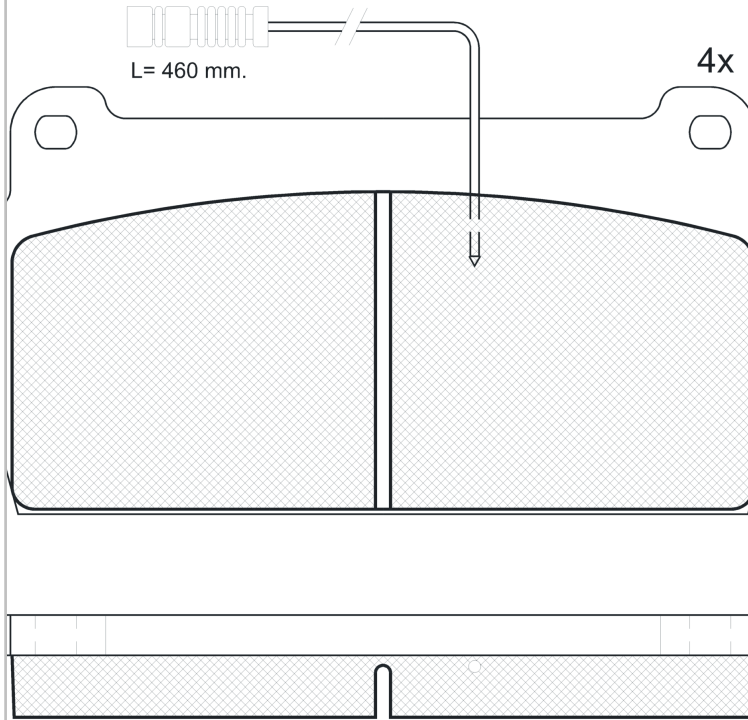
## RB0666



Qty: 650

Weight: 3.895

O.E.M.	MAKE
001 420 91 20	MERCEDES-BENZ
002 420 14 20	MERCEDES-BENZ



## RB0666



Ate - Teves

149.9x81.6x20.3

**WVA**  
29765  
Sin Filas

HASTA FIN DE EXISTENCIAS  
UNTIL EXISTING STOCK RUNS OUT



Trac.	CC	Kw	CV
-------	----	----	----



Front / Rear

### MERCEDES-BENZ

#### UNIMOG 01.55-

#### Caja/Chasis

Model	Trac.	CC	Kw	CV	Year Range	Caja/Chasis
U 5000 (OM 924.916)	Diesel	4801	160	218	09.02-	*
U 5000 (OM 924.923)	Diesel	4801	160	218	09.02-	*
U 1250 (OM 353.973)	Diesel	5675	92	125	12.84-05.88	*
U 1250 (OM 353.995)	Diesel	5675	92	125	12.84-05.88	*
U 1300 (OM 353.973)	Diesel	5675	92	125	01.77-12.84	*
U 1300 (OM 353.995)	Diesel	5675	92	125	01.77-12.84	*
U 1300,U 1300L (OM 353.961)	Diesel	5675	92	125	01.77-05.88	*
U 1300,U 1300L (OM 353.973)	Diesel	5675	92	125	01.77-05.88	*
U 1550L (OM 353.961)	Diesel	5675	92	125	02.86-05.88	*
U 1550L (OM 353.995)	Diesel	5675	92	125	02.86-05.88	*
U 1500 (OM 353.958)	Diesel	5675	110	150	01.77-05.88	*
U 1550 (OM 353.958)	Diesel	5675	110	150	01.86-05.88	*
U 1700L (OM 353.959)	Diesel	5675	124	169	05.78-09.88	*
U 1550L (OM 356.955)	Diesel	5958	114	155	01.92-	*
U 1550L (OM 356.956)	Diesel	5958	114	155	01.92-	*
U 1600 (OM 356.956)	Diesel	5958	115	156	01.88-	*
U 1600 (OM 366.949)	Diesel	5958	115	156	01.88-	*
U 1650,U 1650L (OM 356.956)	Diesel	5958	115	156	01.88-	*
U 1650,U 1650L (OM 366.948)	Diesel	5958	115	156	01.88-	*
U 1650,U 1650L (OM 366.949)	Diesel	5958	115	156	01.88-	*
U 1700,U 1700L (OM 356.957)	Diesel	5958	122	166	09.88-	*
U 1700,U 1700L (OM 366.963)	Diesel	5958	122	166	09.88-	*
U 1700,U 1700L (OM 382.950)	Diesel	5958	122	166	09.88-	*

## LISTA DE APLICACIONES - BUYERS GUIDE

U 1750,U 1750L (OM 356.957)	Diesel	5958	122	166	09.88-	*
U 1750,U 1750L (OM 356.981)	Diesel	5958	122	166	09.88-	*
U 1750,U 1750L (OM 366.963)	Diesel	5958	122	166	09.88-	*
U 1750,U 1750L (OM 356.957)	Diesel	5958	122	166	09.88-	*
U 1750,U 1750L (OM 356.981)	Diesel	5958	122	166	09.88-	*
U 1750,U 1750L (OM 366.963)	Diesel	5958	122	166	09.88-	*
U 1550L (OM 366.963)	Diesel	5958	125	170	01.92-	*
U 1800 (OM 356.998)	Diesel	5958	132	180	04.92-	*
U 1850,U 1850L (OM 356.998)	Diesel	5958	132	180	04.92-	*
U 1600 (OM 356.997)	Diesel	5958	150	204	09.89-	*
U 1600 (OM 357.924)	Diesel	5958	150	204	09.89-	*
U 1600 (OM 366.984)	Diesel	5958	150	204	09.89-	*
U 1650,U 1650L (OM 356.997)	Diesel	5958	150	204	09.89-	*
U 1650,U 1650L (OM 357.924)	Diesel	5958	150	204	09.89-	*
U 1650,U 1650L (OM 366.984)	Diesel	5958	150	204	09.89-	*
U 2100 (OM 356.997)	Diesel	5958	155	211	09.89-	*
U 2100 (OM 366.984)	Diesel	5958	155	211	09.89-	*
U 2100	Diesel	5958	155	211	09.88-07.08	*
U 2150 (OM 356.997)	Diesel	5958	155	211	09.89-	*
U 2150 (OM 366.984)	Diesel	5958	155	211	09.89-	*
U 2150,U 2150L (OM 356.997)	Diesel	5958	155	211	09.89-	*
U 2150,U 2150L (OM 357.924)	Diesel	5958	155	211	09.89-	*
U 2150,U 2150L (OM 366.984)	Diesel	5958	155	211	09.89-	*
U 1600 (OM 356.980)	Diesel	5958	177	241	05.91-	*
U 1600 (OM 357.945)	Diesel	5958	177	241	05.91-	*
U 1650,U 1650L (OM 356.980)	Diesel	5958	177	241	05.91-	*
U 1650,U 1650L (OM 357.945)	Diesel	5958	177	241	05.91-	*
U 2150,U 2150L (OM 356.980)	Diesel	5958	177	241	09.89-	*
U 2150,U 2150L (OM 357.945)	Diesel	5958	177	241	09.89-	*
U 2400 (OM 356.980)	Diesel	5958	177	241	05.91-	*
U 2400 (OM 357.945)	Diesel	5958	177	241	05.91-	*
U 2450,U 2450L (OM 356.980)	Diesel	5958	177	241	05.91-	*
U 2450,U 2450L (OM 357.945)	Diesel	5958	177	241	05.91-	*
U 2450L (OM 356.980)	Diesel	5958	177	241	07.93-	*
U 2450L (OM 357.945)	Diesel	5958	177	241	07.93-	*
U 5000 (OM 906.935)	Diesel	6374	170	231	11.02-	*
<b>UNIMOG 01.55-</b>						
U 110	Diesel				01.55-	*
U 110	Diesel				01.55-	*
U 1100	Diesel				01.55-	*
U 1100	Diesel				01.55-	*
U 140	Diesel				01.55-	*
U 140	Diesel				01.55-	*
U 1600	Diesel				01.55-	*
U 1600	Diesel				01.55-	*
U 600	Diesel				01.55-	*
U 600	Diesel				01.55-	*
U 650	Diesel				01.55-	*
U 650, 650L	Diesel				01.55-	*
U 90	Diesel				01.55-	*
U 90	Diesel				01.55-	*

# LISTA DE APLICACIONES - BUYERS GUIDE