

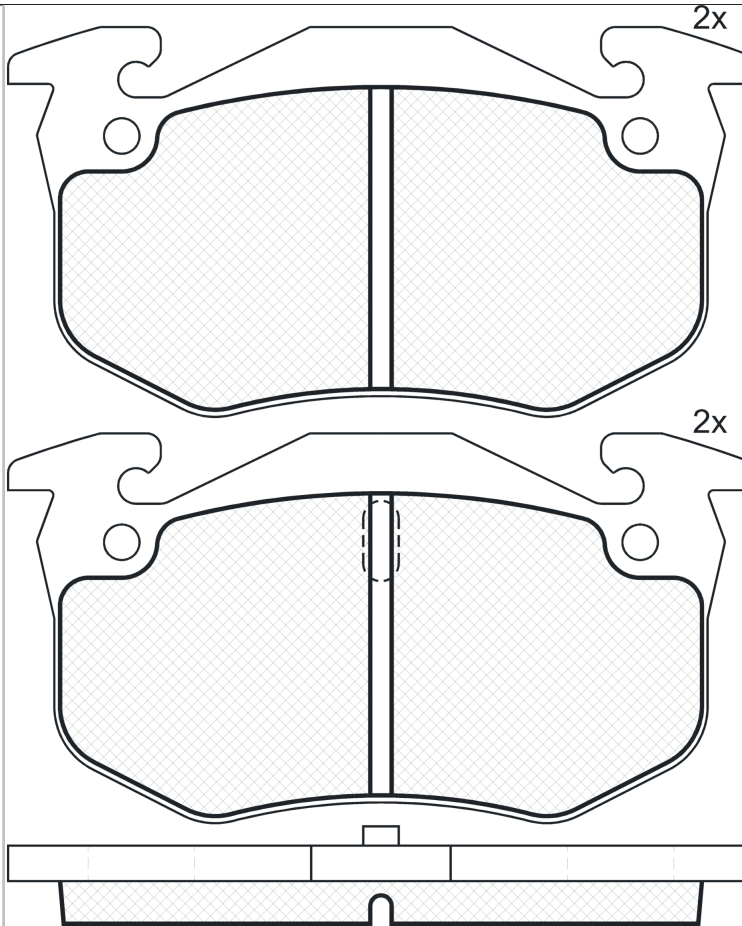
LISTA DE APLICACIONES - BUYERS GUIDE

RB0649



Qty: 944

Weight: 925



RB0649

E1 90R-01100/156



Bendix

105.1x54.9x11

WVA

20973

20974

FMSI

D1458-8658

D1482-8658

Sin Filas

O.E.M.	MAKE
4250.42	PEUGEOT
4251.04	PEUGEOT
4251.46	PEUGEOT
4251.48	PEUGEOT
4251.96	PEUGEOT
4251.97	PEUGEOT
4252.56	PEUGEOT
4252.71	PEUGEOT
4252.74	PEUGEOT
77 01 202 210	RENAULT
77 01 202 308	RENAULT
77 01 202 662	RENAULT
77 01 203 560	RENAULT
77 01 204 464	RENAULT
77 01 204 626	RENAULT
77 01 204 845	RENAULT
77 01 207 034	RENAULT
95 659 341	PEUGEOT
95 666 671	PEUGEOT
95 666 971	CITROËN
96 666 971	PEUGEOT



Trac.	CC	Kw	CV
-------	----	----	----



Front / Rear

CITROËN

						[CAMBIADO]:Fastback (Supermini car-B Segment)				
SAXO / CHANSON (S0, S1) 02.96-04.04										
1.6 VTL, VTR (NFZ (TU5JP))		Gasolina	FWD	1587	65	88	05.96-06.03		*	
1.6 (NFZ (TU5JP))		Gasolina	FWD	1587	66	90	02.96-06.03		*	
1.6 VTS (NFT (TU5JP))		Gasolina	FWD	1587	72	98	09.00-09.03		*	
1.6 (NFT (TU5JP))		Gasolina	FWD	1587	74	101	02.01-04.04		*	
1.6 VTR		Gasolina	FWD	1587	80	109	05.96-07.99		*	
1.6 VTS (NFX (TU5JP4))		Gasolina	FWD	1587	87	118	06.96-09.03		*	
1.6 (NFX (TU5JP4))		Gasolina	FWD	1587	88	120	02.96-04.04		*	
XSARA (N2) 10.97-03.10						[CAMBIADO]:Break (Compact car-C Segment)				
1.6 16V (NFU (TU5JP4))		Gasolina	FWD	1587	80	109	09.00-08.05		*	
1.8 i 16V (LFY (XU7JP4))		Gasolina	FWD	1761	81	110	10.97-09.00		*	
2.0 16V (RFN (EW10J4))		Gasolina	FWD	1997	100	136	09.00-08.05		*	
2.0 16V (RFV (XU10J4R))		Gasolina	FWD	1998	97	132	07.98-09.00		*	
1.8 LPG (LFY (XU7JP4))		Gasol./Gas (LPG)	FWD	1761	81	110	05.98-08.00		*	
1.9 TD (DHY (XUD9TE/Y))		Diesel	FWD	1905	66	90	10.97-09.00		*	
2.0 HDI 90 (RHY (DW10TD))		Diesel	FWD	1997	66	90	02.99-08.05		*	
2.0 HDI 109 (RHZ (DW10ATED))		Diesel	FWD	1997	80	109	05.01-08.05		*	
XSARA (N1) 04.97-12.05						[CAMBIADO]:Fastback (Compact car-C Segment)				
1.6 16V (NFU (TU5JP4))		Gasolina	FWD	1587	80	109	09.00-03.05		*	
1.8 VTS (6FZ (EW7J4))		Gasolina	FWD	1749	85	116	08.98-10.04		*	
1.8 i Aut. (LFZ (XU7JP))		Gasolina	FWD	1761	74	101	04.97-09.00		*	
1.8 i 16V (LFY (XU7JP4))		Gasolina	FWD	1761	81	110	04.97-09.00		*	

LISTA DE APLICACIONES - BUYERS GUIDE

2.0 16V (RFN (EW10J4))		Gasolina	FWD	1997	100	136	09.00-03.05	*	
2.0 16V (RFV (XU10J4R))		Gasolina	FWD	1998	97	132	07.98-09.00	*	
2.0 16V		Gasolina	FWD	1998	120	163	04.97-09.00	*	
1.8 Bifuel (LFY (XU7JP4))		Gasol./Gas (LPG)	FWD	1761	82	111	07.97-08.00	*	
2.0 HDI 90 (RHY (DW10TD))		Diesel	FWD	1997	66	90	02.99-03.05	*	
2.0 HDI 109 (RHZ (DW10ATED))		Diesel	FWD	1997	80	109	05.01-03.05	*	
XSARA 05.98-08.05							[CAMBIADO]:Furgón/Break (Compact car-C Segment)		
2.0 HDi (RHY (DW10TD))		Diesel	FWD	1997	66	90	09.00-03.05	*	
XSARA (N0) 01.98-04.05							Coupé (Compact car-C Segment)		
1.6 16V (NFU (TU5JP4))		Gasolina	FWD	1587	80	109	09.00-03.05	*	
1.8 VTS		Gasolina	FWD	1749	85	116	09.00-10.04	*	
1.8 i (LFZ (XU7JP))		Gasolina	FWD	1761	74	101	02.98-09.00	*	
1.8 i 16V (LFY (XU7JP4))		Gasolina	FWD	1761	81	110	02.98-09.00	*	
2.0 16V (RFN (EW10J4))		Gasolina	FWD	1997	100	136	09.00-03.05	*	
2.0		Gasolina	FWD	1998	97	132	08.98-08.00	*	
2.0 i 16V (RFS (XU10J4RS))		Gasolina	FWD	1998	120	163	02.98-03.05	*	
1.8 LPG (LFY (XU7JP4))		Gasol./Gas (LPG)	FWD	1761	82	112	01.98-08.00	*	
2.0 HDI 90 (RHY (DW10TD))		Diesel	FWD	1997	66	90	02.99-03.05	*	
2.0 HDI 109 (RHZ (DW10ATED))		Diesel	FWD	1997	80	109	05.01-03.05	*	
XSARA (N3_) 05.98-03.05							Furgón/hatchback (Compact car-C Segment)		
2.0 HDi (RHY (DW10TD))		Diesel	FWD	1997	66	90	09.00-03.05	*	
ZX (N2) 10.93-07.99							[CAMBIADO]:Break (Compact car-C Segment)		
1.6 i (BDY (XU5M))		Gasolina	FWD	1580	65	88	10.93-10.97	*	
1.6 i (BFZ (XU5JP))		Gasolina	FWD	1580	65	88	10.93-10.97	*	
1.8 i (LFZ (XU7JP))		Gasolina	FWD	1761	74	101	10.93-10.97	*	
1.8 i 16V (LFY (XU7JP4))		Gasolina	FWD	1761	81	110	01.96-02.98	*	
1.9 TD (DHY (XUD9TE/Y))		Diesel	FWD	1905	66	90	10.93-10.97	*	
ZX (N2) 03.91-07.99							[CAMBIADO]:Fastback (Compact car-C Segment)		
1.6 i (BDY (XU5M))		Gasolina	FWD	1580	65	88	03.91-06.97	*	
1.6 i (BFZ (XU5JP))		Gasolina	FWD	1580	65	88	03.91-06.97	*	
1.6 (BDY (XU5M))		Gasolina	FWD	1580	66	90	07.94-10.97	*	
1.6 (BFZ (XU5JP))		Gasolina	FWD	1580	66	90	07.94-10.97	*	
1.8 i (LFZ (XU7JP))		Gasolina	FWD	1761	74	101	07.92-06.97	*	
1.8 (LFZ (XU7JP))		Gasolina	FWD	1761	76	103	03.91-10.97	*	
1.8 i 16V (LFY (XU7JP4))		Gasolina	FWD	1761	81	110	01.96-06.97	*	
1.9 i (DKZ (XU9JA))		Gasolina	FWD	1905	88	120	03.91-06.97	*	
1.9 (D6E (XU9JA))		Gasolina	FWD	1905	96	131	03.91-09.93	*	
2.0 i (RFX (XU10J2C))		Gasolina	FWD	1998	89	121	07.92-06.97	*	
2.0 (RFX (XU10J2C))		Gasolina	FWD	1998	90	122	07.94-10.97	*	
2.0 i 16V (RFT (XU10J4/Z))		Gasolina	FWD	1998	110	150	06.94-06.97	*	
2.0 i 16V (RFT (XU10J4/Z))		Gasolina	FWD	1998	112	152	07.92-10.94	*	
2.0 i 16V (RFY (XU10J4/Z))		Gasolina	FWD	1998	112	152	07.92-10.94	*	
2.0 i 16V (RFS (XU10J4RS))		Gasolina	FWD	1998	120	163	05.96-06.97	*	
2.0 (RFS (XU10J4RS))		Gasolina	FWD	1998	122	166	09.96-10.97	*	
1.9 D (DJZ (XUD9A))		Diesel	FWD	1905	47	64	03.91-06.97	*	
1.9 DT (DHY (XUD9TE/Y))		Diesel	FWD	1905	65	88	07.94-10.97	*	
1.9 TD (DHY (XUD9TE/Y))		Diesel	FWD	1905	66	90	07.92-06.97	*	
1.9 DT (DHY (XUD9TE/Y))		Diesel	FWD	1905	68	92	06.92-06.94	*	

LISTA DE APLICACIONES - BUYERS GUIDE

CITROËN (DF-PSA)

XSARA 05.03-12.05					Sedán (Compact MPV-M1 Segment)			
2.0		Gasolina	FWD	1997	97	130	05.03-12.05	*
PEUGEOT								
106 II (1A_, 1C_) 04.96-05.05					[CAMBIADO]:Fastback (Supermini car-B Segment)			
1.6 i (NFW (TU5J2))		Gasolina	FWD	1587	74	101	05.96-01.01	*
1.6 i (NFY (TU5J2))		Gasolina	FWD	1587	74	101	05.96-01.01	*
1.6 S16 (NFX (TU5J4))		Gasolina	FWD	1587	87	118	05.96-07.04	*
205 (741A/C) 02.83-10.87					[CAMBIADO]:Fastback (Supermini car-B Segment)			
1.1 XA (E1)		Gasolina	FWD	1118	40	54	07.87-10.88	*
1.2 (F1)		Gasolina	FWD	1204	47	64	01.87-12.90	*
1.4 (150 (XY6B))		Gasolina	FWD	1360	53	72	01.87-07.88	*
1.4 (Y2/K)		Gasolina	FWD	1442	63	86	06.87-12.89	*
1.6 (B1E (XU51C))		Gasolina	FWD	1580	53	72	10.87-09.98	*
1.6 (B1A (XU51C))		Gasolina	FWD	1580	55	75	10.87-09.98	*
1.6 (BAZ (XU5CP))		Gasolina	FWD	1580	55	75	10.87-09.98	*
1.6 GTI (B6D (XU5JA))		Gasolina	FWD	1580	85	116	10.87-12.89	*
1.6 GTX		Gasolina	FWD	1592	69	94	01.87-10.91	*
1.8 Rally		Gasolina	FWD	1775	147	200	07.84-02.86	*
1.8 Turbo 16		Gasolina	4WD	1775	147	200	10.84-02.86	*
1.9 GTI (DFZ (XU9J1))		Gasolina	FWD	1905	75	102	03.87-10.87	*
1.9 GTI (D2A (XU92C))		Gasolina	FWD	1905	75	102	10.87-05.89	*
1.9 GTI Cat (DFZ (XU9J1))		Gasolina	FWD	1905	75	102	10.87-07.94	*
1.9		Gasolina	FWD	1905	77	105	08.92-05.97	*
1.9 GTI (DKZ (XU9JAZ))		Gasolina	FWD	1905	88	120	10.87-10.94	*
1.9		Gasolina	FWD	1905	89	121	08.90-05.97	*
1.9 GTI (D6B (XU9JA))		Gasolina	FWD	1905	94	128	10.86-10.87	*
1.9 GTI (D6B (XU9JA))		Gasolina	FWD	1905	94	128	10.87-09.98	*
1.9		Gasolina	FWD	1905	96	131	08.90-07.92	*
1.9 Diesel (DJZ (XUD9A))		Diesel	FWD	1905	47	64	10.87-09.98	*
205 (741B, 20D) 03.86-11.95					Cabrio (Supermini car-B Segment)			
1.6 (B6D (XU5JA))		Gasolina	FWD	1580	85	116	08.87-07.92	*
1.9 CTI (DFZ (XU9J1))		Gasolina	FWD	1905	75	102	10.87-12.94	*
1.9		Gasolina	FWD	1905	77	105	05.86-07.87	*
1.9 CTI (DKZ (XU9JAZ))		Gasolina	FWD	1905	92	125	08.90-07.92	*
206 (2A/C) 08.98-					[CAMBIADO]:Fastback (Supermini car-B Segment)			
1.4 16V (KFU (ET3J4))		Gasolina	FWD	1360	65	88	10.03-02.08	*
1.6 16V (NFU (TU5JP4))		Gasolina	FWD	1587	79	107	06.01-04.09	*
1.6 16V (NFU (TU5JP4))		Gasolina	FWD	1587	80	109	07.00-04.09	*
1.6 (NFU (TU5JP4))		Gasolina	FWD	1587	81	110	05.05-07.08	*
2.0 S16 (RFR (EW10J4))		Gasolina	FWD	1997	99	135	04.99-10.00	*
2.0 S16 (RFN (EW10J4))		Gasolina	FWD	1997	100	136	06.99-12.07	*
2.0 RC (RFK (EW10J4S))		Gasolina	FWD	1997	130	177	07.03-12.07	*
1.6 BiFuel (NFU (TU5JP4))		Gasol./Gas (LPG)	FWD	1587	80	109	07.00-04.09	*
1.6 HDi 110 (9HY (DV6TED4))		Diesel	FWD	1560	80	109	05.04-02.07	*
1.6 HDi 110 (9HZ (DV6TED4))		Diesel	FWD	1560	80	109	05.04-02.07	*
206 (2D) 09.00-					Cabrio (Supermini car-B Segment)			
1.6 16V (2DNFUF, 2DNFUR) (NFU (TU5JP4))		Gasolina	FWD	1587	80	109	09.00-12.07	*

LISTA DE APLICACIONES - BUYERS GUIDE

1.6 (NFU (TU5JP4))		Gasolina	FWD	1587	81	110	09.01-12.08	*
2.0 S16 (RFN (EW10J4))		Gasolina	FWD	1997	100	136	09.00-12.07	*
1.6 HDi 110 (9HZ (DV6TED4))		Diesel	FWD	1560	80	109	04.05-02.07	*
206 03.07-				Sedán (Supermini car-B Segment)				
1.6 16V (NFU (TU5JP4))		Gasolina	FWD	1587	80	109	03.07-	*
206 SW (2E/K) 07.02-				[CAMBIADO]:Break (Supermini car-B Segment)				
1.4 16V (KFU (ET3J4))		Gasolina	FWD	1360	65	88	10.03-	*
1.6 16V (NFU (TU5JP4))		Gasolina	FWD	1587	80	109	07.02-	*
1.6 (NFU (TU5JP4))		Gasolina	FWD	1587	81	110	05.05-07.08	*
2.0 16V (RFN (EW10J4))		Gasolina	FWD	1997	100	136	07.02-02.07	*
1.6 LPG (NFU (TU5JP4))		Gasol./Gas (LPG)	FWD	1587	80	109	07.02-02.07	*
1.6 HDi 110 (9HZ (DV6TED4))		Diesel	FWD	1560	80	109	05.04-	*
306 (7E, N3, N5) 06.94-12.02				[CAMBIADO]:Break (Compact car-C Segment)				
1.8 16V (LFY (XU7JP4))		Gasolina	FWD	1761	81	110	03.97-04.02	*
1.8 16V (LFY (XU7JP4))		Gasolina	FWD	1761	82	112	03.97-07.01	*
2.0 (RFV (XU10J4R))		Gasolina	FWD	1998	97	132	03.97-04.02	*
2.0 16V		Gasolina	FWD	1998	99	135	03.97-04.02	*
2.0 HDi 90 (RHY (DW10TD))		Diesel	FWD	1997	66	90	06.99-04.02	*
306 (7A, 7C, N3, N5) 01.93-10.03				[CAMBIADO]:Fastback (Compact car-C Segment)				
1.8 (LFZ (XU7JP))		Gasolina	FWD	1761	74	101	05.93-05.01	*
1.8 16V (LFY (XU7JP4))		Gasolina	FWD	1761	81	110	03.97-05.01	*
1.8 16V (LFY (XU7JP4))		Gasolina	FWD	1761	82	112	03.97-10.03	*
1.8 16V		Gasolina	FWD	1761	86	117	10.99-10.03	*
2.0 XSi (RFX (XU10J2))		Gasolina	FWD	1998	89	121	05.93-05.01	*
2.0 16V (RFV (XU10J4R))		Gasolina	FWD	1998	97	132	03.97-05.01	*
2.0 16V (RFV (XU10J4R))		Gasolina	FWD	1998	99	135	03.97-06.00	*
2.0 S16 (RFT (XU10J4))		Gasolina	FWD	1998	110	150	06.94-05.01	*
2.0 S16 (RFY (XU10J4Z))		Gasolina	FWD	1998	110	150	06.94-05.01	*
2.0 S16 (RFY (XU10J4Z))		Gasolina	FWD	1998	112	152	05.93-05.01	*
2.0 S16 (RFS (XU10J4RS))		Gasolina	FWD	1998	120	163	06.96-05.01	*
2.0		Gasolina	FWD	1998	123	167	01.98-05.00	*
2.0 HDi 90 (RHY (DW10TD))		Diesel	FWD	1997	66	90	06.99-12.02	*
306 (N_, 7_) 07.93-08.02				[CAMBIADO]:Furgón/Break (Compact car-C Segment)				
2.0 HDi (RHY (DW10TD))		Diesel	FWD	1997	66	90	08.98-06.00	*
306 (7D, N3, N5) 01.94-04.02				Cabrió (Compact car-C Segment)				
1.8 (L6A (XU7JP))		Gasolina	FWD	1761	74	101	03.94-04.02	*
1.8 (LFZ (XU7JP))		Gasolina	FWD	1761	74	101	03.94-04.02	*
1.8 (LFZ (XU7JP))		Gasolina	FWD	1761	74	101	05.97-04.99	*
1.8 16V (LFY (XU7JP4))		Gasolina	FWD	1761	81	110	05.97-04.02	*
2.0 (RFX (XU10J2))		Gasolina	FWD	1998	89	121	03.94-04.02	*
2.0 (RFX (XU10J2))		Gasolina	FWD	1998	90	123	02.95-11.97	*
2.0 (RFX (XU10J2))		Gasolina	FWD	1998	92	125	01.94-06.97	*
2.0 16V (RFV (XU10J4R))		Gasolina	FWD	1998	97	132	03.97-04.02	*
2.0 16V (RFV (XU10J4R))		Gasolina	FWD	1998	99	135	03.97-04.02	*
306 (7B, N3, N5) 04.93-10.03				Sedán (Compact car-C Segment)				
1.8 (LFZ (XU7JP))		Gasolina	FWD	1761	74	101	06.94-05.01	*
1.8 ST (LFZ (XU7JP))		Gasolina	FWD	1761	74	101	06.94-05.01	*
1.8 16V (LFY (XU7JP4))		Gasolina	FWD	1761	81	110	03.97-05.01	*

LISTA DE APLICACIONES - BUYERS GUIDE

1.8 16V (LFY (XU7JP4))		Gasolina	FWD	1761	82	112	03.97-07.01	*	
2.0 ST (RFX (XU10J2))		Gasolina	FWD	1998	89	121	07.94-05.01	*	
2.0 (RFX (XU10J2))		Gasolina	FWD	1998	92	125	11.95-06.97	*	
2.0 (RFV (XU10J4R))		Gasolina	FWD	1998	97	132	03.97-05.01	*	
2.0 S16 (RFT (XU10J4))		Gasolina	FWD	1998	110	150	06.94-05.01	*	
2.0 S16 (RFY (XU10J4Z))		Gasolina	FWD	1998	112	152	06.94-05.01	*	
2.0 HDI 90 (RHY (DW10TD))		Diesel	FWD	1997	66	90	06.99-12.01	*	
309 (10C, 10A) 10.85-12.89					[CAMBIADO]:Fastback (Compact car-C Segment)				
1.5 (Y2/K)		Gasolina	FWD	1442	63	86	06.87-12.89	*	
1.6 GTI		Gasolina	FWD	1580	85	116	09.89-10.93	*	
1.9 (DFZ (XU9J1))		Gasolina	FWD	1905	72	98	03.86-07.89	*	
1.9 (DFZ (XU9J1))		Gasolina	FWD	1905	72	98	08.89-12.93	*	
1.9 (D2B (XU9S))		Gasolina	FWD	1905	75	102	10.85-07.89	*	
1.9 (DDZ (XU9M))		Gasolina	FWD	1905	80	109	07.88-07.89	*	
1.9 (DDZ (XU9M))		Gasolina	FWD	1905	80	109	10.90-12.93	*	
1.9 GTI (DKZ (XU9JAZ))		Gasolina	FWD	1905	88	120	07.88-07.89	*	
1.9 GTI (DKZ (XU9JAZ))		Gasolina	FWD	1905	88	120	07.89-12.93	*	
1.9 GTI (D6B (XU9JA))		Gasolina	FWD	1905	94	128	10.86-07.89	*	
1.9 GTI (D6B (XU9JA))		Gasolina	FWD	1905	96	131	10.85-08.89	*	
1.9 GTI (D6B (XU9JA))		Gasolina	FWD	1905	96	131	09.89-10.93	*	
1.9 GTI 16V (DFW (XU9J4Z))		Gasolina	FWD	1905	108	147	10.90-12.93	*	
1.9 GTI 16V (D6C (XU9J4))		Gasolina	FWD	1905	116	158	08.89-07.90	*	
309 (10S, 3S) 10.85-10.93					Furgón/hatchback (Compact car-C Segment)				
1.9 D (XUD9)		Diesel	FWD	1905	47	64	10.85-10.93	*	
1.9 D (DJY (XUD9A))		Diesel	FWD	1905	50	68	10.91-10.93	*	
PEUGEOT (DF-PSA)									
206 12.05-02.09					[CAMBIADO]:Fastback (Supermini car-B Segment)				
1.6		Gasolina	FWD	1587	78	105	12.05-	*	
RENAULT									
CLIO (B/C57_, 5/357_) 05.90-08.99					[CAMBIADO]:Fastback (Supermini car-B Segment)				
1.2 (5/357Y, 5/357K) (D7F 730)		Gasolina	FWD	1149	40	54	01.96-09.98	*	
1.2 (5/357Y, 5/357K) (D7F 730)		Gasolina	FWD	1149	43	58	01.96-09.98	*	
1.2 (B/C57R, B575, B57A) (E7F 706)		Gasolina	FWD	1171	40	54	01.91-06.96	*	
1.2 (B/C/S57A, B/C57S, 5/357F, 5/357J, 5/357L, 5/357R) (E7F 700)		Gasolina	FWD	1171	43	58	05.90-09.98	*	
1.2 (B/C/S57A, B/C57S, 5/357F, 5/357J, 5/357L, 5/357R) (E7F 708)		Gasolina	FWD	1171	43	58	05.90-09.98	*	
1.2 (B/C/S57A, B/C57S, 5/357F, 5/357J, 5/357L, 5/357R) (E7F 750)		Gasolina	FWD	1171	43	58	05.90-09.98	*	
1.2 (B/C/S572) (E5F 710)		Gasolina	FWD	1171	44	60	05.90-03.96	*	
1.2 (B/C/S577) (C3G 720)		Gasolina	FWD	1239	40	54	01.96-12.96	*	
1.4 (B57J, C57J, B57P) (E6J 718)		Gasolina	FWD	1390	55	75	01.91-09.98	*	
1.4 (B57J, C57J, B57P) (E7J 756)		Gasolina	FWD	1390	55	75	01.91-09.98	*	
1.4 (B57J, C57J, B57P) (E7J 757)		Gasolina	FWD	1390	55	75	01.91-09.98	*	
1.4 (E6J 712)		Gasolina	FWD	1390	57	78	05.90-02.98	*	
1.4 (E6J 713)		Gasolina	FWD	1390	57	78	05.90-02.98	*	
1.4 (E6J 760)		Gasolina	FWD	1390	57	78	05.90-02.98	*	
1.4 (B/C57T, B/C57Y) (E7J 601)		Gasolina	FWD	1390	58	79	01.91-09.98	*	
1.4 (B/C57T, B/C57Y) (E7J 718)		Gasolina	FWD	1390	58	79	01.91-09.98	*	
1.4 (B/C57T, B/C57Y) (E7J 719)		Gasolina	FWD	1390	58	79	01.91-09.98	*	

LISTA DE APLICACIONES - BUYERS GUIDE

1.4 (B/C57T, B/C57Y) (E7J 754)	Gasolina	FWD	1390	58	79	01.91-09.98	*
1.4 (E7J 710)	Gasolina	FWD	1390	59	80	01.91-09.98	*
1.4 (E7J 711)	Gasolina	FWD	1390	59	80	01.91-09.98	*
1.7 (B/C574) (F2N 770)	Gasolina	FWD	1721	68	92	01.91-12.93	*
1.8 16V (C57D) (F7P 722)	Gasolina	FWD	1764	99	135	01.91-03.96	*
1.8 (F3P 755)	Gasolina	FWD	1783	66	90	08.90-04.96	*
1.8 (B/C57C, B/C57U) (F3P 710)	Gasolina	FWD	1794	65	88	01.91-09.98	*
1.8 (B/C57C, B/C57U) (F3P 714)	Gasolina	FWD	1794	65	88	01.91-09.98	*
1.8 (B/C57C, C579, B/C57U) (F3P 754)	Gasolina	FWD	1794	66	90	08.94-04.96	*
1.8 (B/C57C, C579, B/C57U) (F3P 755)	Gasolina	FWD	1794	66	90	08.94-04.96	*
1.8 (F3P 710)	Gasolina	FWD	1794	70	95	01.91-09.98	*
1.8 Rsi (B/C57H) (F3P 758)	Gasolina	FWD	1794	79	107	08.95-09.98	*
1.8 Rsi (B/C579) (F3P 712)	Gasolina	FWD	1794	80	109	01.93-08.95	*
Williams (B/C57M) (F7R 700)	Gasolina	FWD	1998	108	147	01.94-09.98	*
Electric (2DB 701)	Eléctrico	FWD		21	30	05.96-02.98	*
1.9 D (B/C/S576, B/C/S57L) (F8Q 730)	Diesel	FWD	1870	47	64	01.91-09.98	*
1.9 D (B/C/S576, B/C/S57L) (F8Q 732)	Diesel	FWD	1870	47	64	01.91-09.98	*
1.9 D (F8Q 632)	Diesel	FWD	1870	48	65	05.96-02.98	*
1.9 D (F8Q 676)	Diesel	FWD	1870	48	65	05.96-02.98	*
1.9 D (F8Q 696)	Diesel	FWD	1870	48	65	05.96-02.98	*
1.9 D (F8Q 714)	Diesel	FWD	1870	48	65	05.96-02.98	*
[CAMBIADO]:Fastback (Supermini car-B Segment)							
CLIO II (BB_, CB_) 03.98-							
1.0 Flex	Gasolina	FWD	999	57	76	11.05-	*
1.2 (BB0A, BB0F, BB10, BB1K, BB28, BB2D, BB2H, CB0A,... (D7F 710)	Gasolina	FWD	1149	43	58	09.98-02.10	*
1.2 (BB0A, BB0F, BB10, BB1K, BB28, BB2D, BB2H, CB0A,... (D7F 720)	Gasolina	FWD	1149	43	58	09.98-02.10	*
1.2 (BB0A, BB0F, BB10, BB1K, BB28, BB2D, BB2H, CB0A,... (D7F 722)	Gasolina	FWD	1149	43	58	09.98-02.10	*
1.2 (BB0A, BB0F, BB10, BB1K, BB28, BB2D, BB2H, CB0A,... (D7F 726)	Gasolina	FWD	1149	43	58	09.98-02.10	*
1.2 (BB0A, BB0F, BB10, BB1K, BB28, BB2D, BB2H, CB0A,... (D7F 746)	Gasolina	FWD	1149	43	58	09.98-02.10	*
1.2 (BB0A, BB0F, BB10, BB1K, BB28, BB2D, BB2H, CB0A,... (D7F 764)	Gasolina	FWD	1149	43	58	09.98-02.10	*
1.2 (BB0A, BB0F, BB10, BB1K, BB28, BB2D, BB2H, CB0A,... (D7F 766)	Gasolina	FWD	1149	43	58	09.98-02.10	*
1.2 16V (BB05, BB0W, BB11, BB27, BB2T, BB2U, BB2V, CB05,... (D4F 706)	Gasolina	FWD	1149	55	75	06.01-08.16	*
1.2 16V (BB05, BB0W, BB11, BB27, BB2T, BB2U, BB2V, CB05,... (D4F 712)	Gasolina	FWD	1149	55	75	06.01-08.16	*
1.2 16V (BB05, BB0W, BB11, BB27, BB2T, BB2U, BB2V, CB05,... (D4F 714)	Gasolina	FWD	1149	55	75	06.01-08.16	*
1.2 16V (BB05, BB0W, BB11, BB27, BB2T, BB2U, BB2V, CB05,... (D4F 722)	Gasolina	FWD	1149	55	75	06.01-08.16	*
1.2 16V (BB05, BB0W, BB11, BB27, BB2T, BB2U, BB2V, CB05,... (D4F 728)	Gasolina	FWD	1149	55	75	06.01-08.16	*
1.4 16V (B/CB0P, BB13) (K4J 710)	Gasolina	FWD	1390	72	98	02.00-07.08	*
1.4 16V (B/CB0P, BB13) (K4J 711)	Gasolina	FWD	1390	72	98	02.00-07.08	*
1.4 16V (B/CB0P, BB13) (K4J 712)	Gasolina	FWD	1390	72	98	02.00-07.08	*
1.4 16V (B/CB0P, BB13) (K4J 713)	Gasolina	FWD	1390	72	98	02.00-07.08	*
1.4 16V (B/CB0P, BB13) (K4J 715)	Gasolina	FWD	1390	72	98	02.00-07.08	*
1.6 16V (BB01, BB0H, BB0T, BB14, BB1D, BB1R, BB2KL, BB3G... (K4M 708)	Gasolina	FWD	1598	79	107	09.98-04.05	*
1.6 16V (BB01, BB0H, BB0T, BB14, BB1D, BB1R, BB2KL, BB3G... (K4M 740)	Gasolina	FWD	1598	79	107	09.98-04.05	*
1.6 16V (BB01, BB0H, BB0T, BB14, BB1D, BB1R, BB2KL, BB3G... (K4M 742)	Gasolina	FWD	1598	79	107	09.98-04.05	*
1.6 16V (BB01, BB0H, BB0T, BB14, BB1D, BB1R, BB2KL, BB3G... (K4M 743)	Gasolina	FWD	1598	79	107	09.98-04.05	*

LISTA DE APLICACIONES - BUYERS GUIDE

1.6 16V (BB01, BB0H, BB0T, BB14, BB1D, BB1R, BB2KL, BB3G... (K4M 744)	Gasolina	FWD	1598	79	107	09.98-04.05	*
1.6 16V (BB01, BB0H, BB0T, BB14, BB1D, BB1R, BB2KL, BB3G... (K4M 745)	Gasolina	FWD	1598	79	107	09.98-04.05	*
1.6 16V (BB01, BB0H, BB0T, BB14, BB1D, BB1R, BB2KL, BB3G... (K4M 748)	Gasolina	FWD	1598	79	107	09.98-04.05	*
2.0 16V Sport (CB0M) (F4R 730)	Gasolina	FWD	1998	124	169	02.00-06.09	*
2.0 16V Sport (CB0M) (F4R 736)	Gasolina	FWD	1998	124	169	02.00-06.09	*
2.0 16V Sport (F4R 738)	Gasolina	FWD	1998	132	179	01.04-04.05	*
1.2 LPG (D7F 764)	Gasol./Gas (LPG)	FWD	1149	43	58	09.98-06.09	*
1.2 LPG (D7F 766)	Gasol./Gas (LPG)	FWD	1149	43	58	09.98-06.09	*
1.5 dCi (B/CB3M) (K9K 740)	Diesel	FWD	1461	47	64	06.05-12.10	*
1.5 dCi (B/CB07) (K9K 700)	Diesel	FWD	1461	48	65	06.01-07.09	*
1.5 dCi (B/CB07) (K9K 704)	Diesel	FWD	1461	48	65	06.01-07.09	*
1.5 dCi (B/C2J) (K9K 700)	Diesel	FWD	1461	50	68	08.04-12.12	*
1.5 dCi (B/C2J) (K9K 714)	Diesel	FWD	1461	50	68	08.04-12.12	*
1.5 dCi (B/CB03) (K9K 702)	Diesel	FWD	1461	59	80	06.01-10.03	*
1.5 dCi (B/CB08) (K9K 702)	Diesel	FWD	1461	60	82	06.01-04.05	*
1.5 dCi (K9K 712)	Diesel	FWD	1461	74	100	10.03-04.05	*
MEGANE (BA0/1_) 08.95-12.04						[CAMBIADO]:Fastback (Compact car-C Segment)	
1.4 Eco (BA0T) (E7J 624)	Gasolina	FWD	1390	52	71	01.96-03.99	*
1.4 e (BA0E, BA0V) (E7J 626)	Gasolina	FWD	1390	55	75	01.96-08.03	*
1.4 e (BA0E, BA0V) (E7J 764)	Gasolina	FWD	1390	55	75	01.96-08.03	*
1.4 16V (BA0D, BA1H, BA0W, BA10) (K4J 714)	Gasolina	FWD	1390	70	95	03.99-08.03	*
1.4 16V (BA0D, BA1H, BA0W, BA10) (K4J 750)	Gasolina	FWD	1390	70	95	03.99-08.03	*
1.6 i (BA0L) (K7M 720)	Gasolina	FWD	1598	55	75	01.96-03.99	*
1.6 e (BA0F, BA0S) (K7M 702)	Gasolina	FWD	1598	66	90	01.96-03.99	*
1.6 e (BA0F, BA0S) (K7M 703)	Gasolina	FWD	1598	66	90	01.96-03.99	*
1.6 e (BA0F, BA0S) (K7M 790)	Gasolina	FWD	1598	66	90	01.96-03.99	*
1.6 16V (BA04, BA0B, BA11, BA1J, BA16, BA19, BA1K, BA1V,... (K4M 700)	Gasolina	FWD	1598	79	107	03.99-08.02	*
1.6 16V (BA04, BA0B, BA11, BA1J, BA16, BA19, BA1K, BA1V,... (K4M 701)	Gasolina	FWD	1598	79	107	03.99-08.02	*
1.6 16V (BA04, BA0B, BA11, BA1J, BA16, BA19, BA1K, BA1V,... (K4M 706)	Gasolina	FWD	1598	79	107	03.99-08.02	*
1.6 16V (BA04, BA0B, BA11, BA1J, BA16, BA19, BA1K, BA1V,... (K4M 708)	Gasolina	FWD	1598	79	107	03.99-08.02	*
1.6 16V (BA04, BA0B, BA11, BA1J, BA16, BA19, BA1K, BA1V,... (K4M 709)	Gasolina	FWD	1598	79	107	03.99-08.02	*
1.6 16V	Gasolina	FWD	1598	81	110	11.01-12.08	*
1.8 16V (BA06, BA12, BA1A, BA1M, BA1R) (F4P 720)	Gasolina	FWD	1783	85	115	01.01-08.03	*
1.8 16V (BA06, BA12, BA1A, BA1M, BA1R) (F4P 722)	Gasolina	FWD	1783	85	115	01.01-08.03	*
2.0 i	Gasolina	FWD	1998	55	75	08.95-02.99	*
2.0 i (F3R 750)	Gasolina	FWD	1998	80	109	03.99-08.03	*
2.0 i (F3R 751)	Gasolina	FWD	1998	80	109	03.99-08.03	*
2.0 i (BA0G) (F3R 750)	Gasolina	FWD	1998	84	114	01.96-08.03	*
2.0 i (BA0G) (F3R 751)	Gasolina	FWD	1998	84	114	01.96-08.03	*
2.0 16V (BA0H) (F7R 710)	Gasolina	FWD	1998	108	147	07.96-08.03	*
2.0 16V (BA0H) (F7R 714)	Gasolina	FWD	1998	108	147	07.96-08.03	*
1.9 D Eco (BA0A, BA0U, BA0R) (F8Q 620)	Diesel	FWD	1870	47	64	01.96-08.03	*
1.9 D Eco (BA0A, BA0U, BA0R) (F8Q 622)	Diesel	FWD	1870	47	64	01.96-08.03	*
1.9 D Eco (BA0A, BA0U, BA0R) (F8Q 624)	Diesel	FWD	1870	47	64	01.96-08.03	*
1.9 dTi (BA1U) (F9Q 744)	Diesel	FWD	1870	59	80	02.01-08.03	*

LISTA DE APLICACIONES - BUYERS GUIDE

1.9 dT (B/SA0K, B/SA0Y) (F8Q 784)		Diesel	FWD	1870	66	90	01.96-08.03	*
1.9 dT (B/SA0K, B/SA0Y) (F8Q 786)		Diesel	FWD	1870	66	90	01.96-08.03	*
1.9 TDI (F8Q 784)		Diesel	FWD	1870	69	94	09.96-08.03	*
1.9 dTi (BA08, BA0N) (F9Q 730)		Diesel	FWD	1870	72	98	03.97-02.01	*
1.9 dTi (BA08, BA0N) (F9Q 731)		Diesel	FWD	1870	72	98	03.97-02.01	*
1.9 dTi (BA08, BA0N) (F9Q 734)		Diesel	FWD	1870	72	98	03.97-02.01	*
1.9 dTi (BA08, BA0N) (F9Q 736)		Diesel	FWD	1870	72	98	03.97-02.01	*
1.9 dCi (BA05, BA1F) (F9Q 732)		Diesel	FWD	1870	75	102	02.01-08.03	*
1.9 dCi (BA05, BA1F) (F9Q 733)		Diesel	FWD	1870	75	102	02.01-08.03	*
1.9 DT (F8Q 784)		Diesel	FWD	1870	76	104	08.98-10.99	*
MEGANE (EA0/1_) 10.96-08.03				Cabrío (Compact car-C Segment)				
1.4 16V (EA0D, EA1H, EA0W, EA10) (K4J 714)		Gasolina	FWD	1390	70	95	03.99-08.03	*
1.4 16V (EA0D, EA1H, EA0W, EA10) (K4J 750)		Gasolina	FWD	1390	70	95	03.99-08.03	*
1.6 e (EA0F) (K7M 702)		Gasolina	FWD	1598	66	90	10.96-03.99	*
1.6 e (EA0F) (K7M 703)		Gasolina	FWD	1598	66	90	10.96-03.99	*
1.6 16V (EA04, EA0B, EA11, EA1J) (K4M 700)		Gasolina	FWD	1598	79	107	03.99-07.03	*
1.6 16V (EA04, EA0B, EA11, EA1J) (K4M 701)		Gasolina	FWD	1598	79	107	03.99-07.03	*
1.6 16V (EA04, EA0B, EA11, EA1J) (K4M 708)		Gasolina	FWD	1598	79	107	03.99-07.03	*
1.6 16V (EA04, EA0B, EA11, EA1J) (K4M 709)		Gasolina	FWD	1598	79	107	03.99-07.03	*
2.0 i (EA0G) (F3R 791)		Gasolina	FWD	1998	80	109	03.99-08.03	*
2.0 i (EA0G) (F3R 796)		Gasolina	FWD	1998	80	109	03.99-08.03	*
2.0 (EA0G) (F3R 750)		Gasolina	FWD	1998	84	114	04.97-08.03	*
2.0 (EA0G) (F3R 798)		Gasolina	FWD	1998	84	114	04.97-08.03	*
2.0 16V (F4R 746)		Gasolina	FWD	1998	102	139	01.02-08.03	*
2.0 16V (F4R 770)		Gasolina	FWD	1998	102	139	01.02-08.03	*
2.0 16V IDE (EA03, EA0P, EA14) (F5R 740)		Gasolina	FWD	1998	103	140	11.99-08.03	*
2.0 16V (EA0H) (F7R 710)		Gasolina	FWD	1998	108	147	10.96-11.99	*
2.0 16V (EA0H) (F7R 714)		Gasolina	FWD	1998	108	147	10.96-11.99	*
MEGANE Grandtour (KA0/1_) 03.99-08.03				[CAMBIADO]:Break (Compact car-C Segment)				
1.4 e (KA0V) (E7J 626)		Gasolina	FWD	1390	55	75	03.99-08.03	*
1.4 16V (KA0D, KA1H, KA0W, KA10) (K4J 714)		Gasolina	FWD	1390	70	95	03.99-08.03	*
1.4 16V (KA0D, KA1H, KA0W, KA10) (K4J 750)		Gasolina	FWD	1390	70	95	03.99-08.03	*
1.6 e (KA0F) (K7M 702)		Gasolina	FWD	1598	66	90	03.99-08.03	*
1.6 e (KA0F) (K7M 703)		Gasolina	FWD	1598	66	90	03.99-08.03	*
1.6 16V (KA0B, KA04, KA11) (K4M 700)		Gasolina	FWD	1598	79	107	03.99-08.03	*
1.6 16V (KA0B, KA04, KA11) (K4M 701)		Gasolina	FWD	1598	79	107	03.99-08.03	*
1.6 16V (KA0B, KA04, KA11) (K4M 708)		Gasolina	FWD	1598	79	107	03.99-08.03	*
1.6 16V (KA0B, KA04, KA11) (K4M 709)		Gasolina	FWD	1598	79	107	03.99-08.03	*
1.6 BiFuel		Gasolina	FWD	1598	79	107	04.01-07.03	*
1.8 16V (KA0S, KA12, KA1A, KA1M, KA1R) (F4P 720)		Gasolina	FWD	1783	85	115	01.01-08.03	*
1.8 16V (KA0S, KA12, KA1A, KA1M, KA1R) (F4P 722)		Gasolina	FWD	1783	85	115	01.01-08.03	*
1.6 BiFuel (K4M 704)		Gasol./Gas (LPG)	FWD	1598	80	109	03.99-09.00	*
1.9 D (KA0J, KA0R) (F8Q 622)		Diesel	FWD	1870	47	64	04.99-08.03	*
1.9 D (KA0J, KA0R) (F8Q 790)		Diesel	FWD	1870	47	64	04.99-08.03	*
1.9 dTi (KA1U) (F9Q 744)		Diesel	FWD	1870	59	80	02.01-08.03	*
1.9 dTi (KA0N) (F9Q 731)		Diesel	FWD	1870	72	98	03.99-02.01	*
1.9 dTi (KA0N) (F9Q 736)		Diesel	FWD	1870	72	98	03.99-02.01	*
1.9 dCi (KA05, KA1F) (F9Q 732)		Diesel	FWD	1870	75	102	02.01-08.03	*
1.9 dCi (KA05, KA1F) (F9Q 733)		Diesel	FWD	1870	75	102	02.01-08.03	*

LISTA DE APLICACIONES - BUYERS GUIDE

1.9 dCi (KA05, KA1F) (F9Q 738)	Diesel	FWD	1870	75	102	02.01-08.03	*
1.9 dCi (F9Q 732)	Diesel	FWD	1870	77	105	03.99-09.00	*
MEGANE Classic (LA0/1_) 09.96-08.08				Sedán (Compact car-C Segment)			
1.4 (LA0E, LA0V) (E7J 626)	Gasolina	FWD	1390	55	75	09.96-08.03	*
1.4 (LA0E, LA0V) (E7J 764)	Gasolina	FWD	1390	55	75	09.96-08.03	*
1.4 16V (LA0D, LA1H, IA0W, LA10) (K4J 714)	Gasolina	FWD	1390	70	95	03.99-08.03	*
1.4 16V (LA0D, LA1H, IA0W, LA10) (K4J 750)	Gasolina	FWD	1390	70	95	03.99-08.03	*
1.6 i (LA0L) (K7M 720)	Gasolina	FWD	1598	55	75	09.96-03.99	*
1.6 e (LA0F, LA0S) (K7M 702)	Gasolina	FWD	1598	66	90	09.96-03.99	*
1.6 e (LA0F, LA0S) (K7M 703)	Gasolina	FWD	1598	66	90	09.96-03.99	*
1.6 e (LA0F, LA0S) (K7M 790)	Gasolina	FWD	1598	66	90	09.96-03.99	*
1.6 16V (LA00, LA04, LA0B, LA11, LA16, LA19, LA1J, LA1K,...) (K4M 700)	Gasolina	FWD	1598	79	107	03.99-07.03	*
1.6 16V (LA00, LA04, LA0B, LA11, LA16, LA19, LA1J, LA1K,...) (K4M 701)	Gasolina	FWD	1598	79	107	03.99-07.03	*
1.6 16V (LA00, LA04, LA0B, LA11, LA16, LA19, LA1J, LA1K,...) (K4M 706)	Gasolina	FWD	1598	79	107	03.99-07.03	*
1.6 16V (LA00, LA04, LA0B, LA11, LA16, LA19, LA1J, LA1K,...) (K4M 708)	Gasolina	FWD	1598	79	107	03.99-07.03	*
1.6 16V (LA00, LA04, LA0B, LA11, LA16, LA19, LA1J, LA1K,...) (K4M 709)	Gasolina	FWD	1598	79	107	03.99-07.03	*
1.6 16V	Gasolina	FWD	1598	81	110	09.99-12.01	*
1.8 16V (LA06, LA12, LA1A, LA1M, LA1R) (F4P 720)	Gasolina	FWD	1783	85	115	01.01-08.03	*
1.8 16V (LA06, LA12, LA1A, LA1M, LA1R) (F4P 722)	Gasolina	FWD	1783	85	115	01.01-08.03	*
2.0 i (LA0G) (F3R 750)	Gasolina	FWD	1998	80	109	03.99-08.03	*
2.0 i (LA0G) (F3R 751)	Gasolina	FWD	1998	80	109	03.99-08.03	*
2.0 i (LA0G) (F3R 752)	Gasolina	FWD	1998	80	109	03.99-08.03	*
2.0 i (LA0G) (F3R 791)	Gasolina	FWD	1998	80	109	03.99-08.03	*
2.0 i (LA0G) (F3R 796)	Gasolina	FWD	1998	80	109	03.99-08.03	*
2.0 i (LA0G) (F3R 797)	Gasolina	FWD	1998	80	109	03.99-08.03	*
2.0 i (LA0G) (F3R 798)	Gasolina	FWD	1998	80	109	03.99-08.03	*
2.0 i (LA07, LA0G) (F3R 750)	Gasolina	FWD	1998	84	114	09.96-08.03	*
2.0 i (LA07, LA0G) (F3R 751)	Gasolina	FWD	1998	84	114	09.96-08.03	*
2.0 i (LA07, LA0G) (F3R 752)	Gasolina	FWD	1998	84	114	09.96-08.03	*
2.0 i (LA07, LA0G) (F3R 791)	Gasolina	FWD	1998	84	114	09.96-08.03	*
2.0 i (LA07, LA0G) (F3R 796)	Gasolina	FWD	1998	84	114	09.96-08.03	*
2.0 i (LA07, LA0G) (F3R 797)	Gasolina	FWD	1998	84	114	09.96-08.03	*
2.0 i (LA07, LA0G) (F3R 798)	Gasolina	FWD	1998	84	114	09.96-08.03	*
2.0	Gasolina	FWD	1998	101	138	01.01-03.06	*
2.0 RT (LA0G, LA07)	Gasolina	FWD	1998	112	152	10.96-02.99	*
1.9 D (LA0A, LA0U, LA0R) (F8Q 620)	Diesel	FWD	1870	47	64	09.96-08.03	*
1.9 D (LA0A, LA0U, LA0R) (F8Q 622)	Diesel	FWD	1870	47	64	09.96-08.03	*
1.9 D (LA0A, LA0U, LA0R) (F8Q 624)	Diesel	FWD	1870	47	64	09.96-08.03	*
1.9 dTi (LA1U) (F9Q 744)	Diesel	FWD	1870	59	80	02.01-08.03	*
1.9 dT (LA0K, LA0Y) (F8Q 784)	Diesel	FWD	1870	66	90	09.96-08.03	*
1.9 dT (LA0K, LA0Y) (F8Q 786)	Diesel	FWD	1870	66	90	09.96-08.03	*
1.9 TDI (F8Q 784)	Diesel	FWD	1870	69	94	09.96-08.03	*
1.9 dTi (LA08, LA0N, LA0K) (F9Q 730)	Diesel	FWD	1870	72	98	03.97-02.01	*
1.9 dTi (LA08, LA0N, LA0K) (F9Q 731)	Diesel	FWD	1870	72	98	03.97-02.01	*
1.9 dTi (LA08, LA0N, LA0K) (F9Q 734)	Diesel	FWD	1870	72	98	03.97-02.01	*
1.9 dTi (LA08, LA0N, LA0K) (F9Q 736)	Diesel	FWD	1870	72	98	03.97-02.01	*
1.9 dCi (LA05, LA1F) (F9Q 732)	Diesel	FWD	1870	75	102	02.01-08.03	*
1.9 dCi (LA05, LA1F) (F9Q 733)	Diesel	FWD	1870	75	102	02.01-08.03	*

LISTA DE APLICACIONES - BUYERS GUIDE

1.9 dCi (LA05, LA1F) (F9Q 738)		Diesel	FWD	1870	75	102	02.01-08.03	*
1.9 DT (F8Q 784)		Diesel	FWD	1870	76	104	08.98-10.99	*
MEGANE Coach (DA0/1_) 03.96-08.03				Coupé (Compact car-C Segment)				
1.4 16V (DA0D, DA1H, DA0W, DA10) (K4J 700)		Gasolina	FWD	1390	70	95	03.99-07.03	*
1.4 16V (DA0D, DA1H, DA0W, DA10) (K4J 714)		Gasolina	FWD	1390	70	95	03.99-07.03	*
1.4 16V (DA0D, DA1H, DA0W, DA10) (K4J 750)		Gasolina	FWD	1390	70	95	03.99-07.03	*
1.6 e (DA0F) (K7M 702)		Gasolina	FWD	1598	66	90	03.96-03.99	*
1.6 e (DA0F) (K7M 703)		Gasolina	FWD	1598	66	90	03.96-03.99	*
1.6 16V (DA0B, DA04, DA11) (K4M 700)		Gasolina	FWD	1598	79	107	03.99-07.03	*
1.6 16V (DA0B, DA04, DA11) (K4M 701)		Gasolina	FWD	1598	79	107	03.99-07.03	*
1.6 16V (DA0B, DA04, DA11) (K4M 708)		Gasolina	FWD	1598	79	107	03.99-07.03	*
1.6 16V (DA0B, DA04, DA11) (K4M 709)		Gasolina	FWD	1598	79	107	03.99-07.03	*
2.0 i (F3R 791)		Gasolina	FWD	1998	80	109	03.99-08.03	*
2.0 i (F3R 796)		Gasolina	FWD	1998	80	109	03.99-08.03	*
2.0 i (DA0G) (F3R 750)		Gasolina	FWD	1998	84	114	03.96-08.03	*
2.0 i (DA0G) (F3R 751)		Gasolina	FWD	1998	84	114	03.96-08.03	*
2.0 i (DA0G) (F3R 798)		Gasolina	FWD	1998	84	114	03.96-08.03	*
2.0 16V (F4R 746)		Gasolina	FWD	1998	102	139	01.02-08.03	*
2.0 16V IDE (DA03, DA0P, DA14) (F5R 740)		Gasolina	FWD	1998	103	140	11.99-08.03	*
2.0 16V (DA0H) (F7R 710)		Gasolina	FWD	1998	108	147	03.96-11.99	*
2.0 16V (DA0H) (F7R 714)		Gasolina	FWD	1998	108	147	03.96-11.99	*
1.9 dTi (DA0N) (F9Q 731)		Diesel	FWD	1870	72	98	03.97-02.01	*
1.9 dTi (DA0N) (F9Q 734)		Diesel	FWD	1870	72	98	03.97-02.01	*
1.9 dTi (DA0N) (F9Q 736)		Diesel	FWD	1870	72	98	03.97-02.01	*
1.9 dCi (DA05, DA1F) (F9Q 732)		Diesel	FWD	1870	75	102	02.01-08.03	*
1.9 dCi (DA05, DA1F) (F9Q 733)		Diesel	FWD	1870	75	102	02.01-08.03	*
1.9 dCi (F9Q 732)		Diesel	FWD	1870	77	105	03.99-09.00	*
1.9 dCi (F9Q 733)		Diesel	FWD	1870	77	105	03.99-09.00	*
MEGANE Hatchback Van (SA0/1_) 08.95-07.03				Furgón/hatchback (Compact car-C Segment)				
1.9 (SA0U, SA0R, SA0A) (F8Q 620)		Diesel	FWD	1870	47	64	08.95-09.00	*
1.9 (SA0U, SA0R, SA0A) (F8Q 622)		Diesel	FWD	1870	47	64	08.95-09.00	*
1.9 (SA0U, SA0R, SA0A) (F8Q 624)		Diesel	FWD	1870	47	64	08.95-09.00	*
MEGANE Kombi van (KA_) 02.00-07.03				[CAMBIADO]:Furgón/Break (Compact car-C Segment)				
1.4 (KA0D) (K4J 714)		Gasolina	FWD	1390	70	95	04.01-07.03	*
1.4 (KA0D) (K4J 750)		Gasolina	FWD	1390	70	95	04.01-07.03	*
1.6 (KA0B, KA04) (K4M 700)		Gasolina	FWD	1598	79	107	04.01-07.03	*
1.6 (KA0B, KA04) (K4M 701)		Gasolina	FWD	1598	79	107	04.01-07.03	*
1.6 (KA0B, KA04) (K4M 708)		Gasolina	FWD	1598	79	107	04.01-07.03	*
1.6 (KA0B, KA04) (K4M 709)		Gasolina	FWD	1598	79	107	04.01-07.03	*
1.8 (KA1M) (F4P 722)		Gasolina	FWD	1783	85	116	04.01-07.03	*
1.6 BiFuel (KA0B) (K4M 712)		Gasol./Gas (LPG)	FWD	1598	79	107	04.01-07.03	*
1.6 BiFuel (KA04) (K4M 704)		Gasol./Gas (LPG)	FWD	1598	80	109	04.01-07.03	*
1.9 D (KA0R) (F8Q 622)		Diesel	FWD	1870	47	64	02.00-09.00	*
1.9 dTi (KA1U) (F9Q 744)		Diesel	FWD	1870	59	80	04.01-07.03	*
1.9 dCi (KA05) (F9Q 732)		Diesel	FWD	1870	75	102	04.01-07.03	*
1.9 dCi (KA05) (F9Q 733)		Diesel	FWD	1870	75	102	04.01-07.03	*
1.9 dCi (KA05) (F9Q 732)		Diesel	FWD	1870	77	105	04.01-07.03	*
1.9 dCi (KA05) (F9Q 733)		Diesel	FWD	1870	77	105	04.01-07.03	*

LISTA DE APLICACIONES - BUYERS GUIDE

R 11 / ENCORE (B/C37_) 03.83-09.95					[CAMBIADO]:Fastback (Compact car-C Segment)			
1.4 Turbo (B/C375) (C1J 760)		Gasolina	FWD	1397	77	105	04.84-12.86	*
1.4 Turbo (B/C375) (C1J 764)		Gasolina	FWD	1397	77	105	04.84-12.86	*
1.4 Turbo (B/C375) (C1J 770)		Gasolina	FWD	1397	85	115	10.86-12.88	*
1.4 Turbo (B/C375) (C1J 782)		Gasolina	FWD	1397	85	115	10.86-12.88	*
1.4 Turbo (C1J 764)		Gasolina	FWD	1397	87	118	02.84-06.86	*
R 19 (B/C53_) 01.88-09.94					[CAMBIADO]:Fastback (Compact car-C Segment)			
1.4 Cat (B/C532) (C3J 710)		Gasolina	FWD	1390	43	58	01.89-04.92	*
1.4 (E7J 700)		Gasolina	FWD	1390	55	75	09.90-04.92	*
1.7 (B/C53C) (F3N 742)		Gasolina	FWD	1721	66	90	09.88-04.92	*
1.7 (B/C53C) (F3N 743)		Gasolina	FWD	1721	66	90	09.88-04.92	*
1.7 (F2N 720)		Gasolina	FWD	1721	68	92	09.88-04.92	*
1.7 (F2N 721)		Gasolina	FWD	1721	69	94	07.88-04.92	*
1.7 (F2N 722)		Gasolina	FWD	1721	69	94	07.88-04.92	*
1.7 (F3N 746)		Gasolina	FWD	1721	79	107	06.89-04.92	*
1.8 16V (B/C53D) (F7P 704)		Gasolina	FWD	1764	99	135	06.89-04.92	*
1.8 16V (F7P 700)		Gasolina	FWD	1764	101	137	06.89-04.92	*
1.9 D (B/C534, B/C53J) (F8Q 706)		Diesel	FWD	1870	47	64	09.88-04.92	*
1.9 D (B/C534, B/C53J) (F8Q 742)		Diesel	FWD	1870	47	64	09.88-04.92	*
1.9 DT (F8Q 740)		Diesel	FWD	1870	66	90	09.90-04.92	*
1.9 DT (F8Q 610)		Diesel	FWD	1870	68	92	09.90-04.92	*
R 19 (L53_) 01.88-12.92					Sedán (Compact car-C Segment)			
1.4 (L532, L53P) (C2J 772)		Gasolina	FWD	1390	43	58	07.88-04.92	*
1.4 (L532, L53P) (C3J 710)		Gasolina	FWD	1390	43	58	07.88-04.92	*
1.7 (L53C) (F3N 742)		Gasolina	FWD	1721	66	90	07.88-04.92	*
1.7 (L53C) (F3N 743)		Gasolina	FWD	1721	66	90	07.88-04.92	*
1.7 (L533) (F2N 720)		Gasolina	FWD	1721	68	92	09.88-12.92	*
1.7 (L533) (F2N 721)		Gasolina	FWD	1721	68	92	09.88-12.92	*
1.7 (F2N 721)		Gasolina	FWD	1721	69	94	09.90-04.92	*
1.7 (L53F) (F3N 746)		Gasolina	FWD	1721	79	107	08.88-12.92	*
1.8 16V (L53D) (F7P 704)		Gasolina	FWD	1764	99	135	10.89-04.92	*
1.8 16V (F7P 700)		Gasolina	FWD	1764	101	137	06.89-08.90	*
1.9 D (L534, L53J) (F8Q 706)		Diesel	FWD	1870	47	64	10.89-04.92	*
1.9 D (L534, L53J) (F8Q 742)		Diesel	FWD	1870	47	64	10.89-04.92	*
R 19 II (B/C53_) 01.91-06.01					[CAMBIADO]:Fastback (Compact car-C Segment)			
1.4 (B/C532) (C3J 710)		Gasolina	FWD	1390	43	58	04.92-12.95	*
1.4 (B/C535) (E7J 742)		Gasolina	FWD	1390	55	75	01.92-12.95	*
1.4 (E6J 700)		Gasolina	FWD	1390	57	78	05.93-12.98	*
1.4 (E6J 706)		Gasolina	FWD	1390	60	82	10.96-06.01	*
1.7 (B/C53B) (F3N 740)		Gasolina	FWD	1721	54	73	04.92-12.95	*
1.7 (B/C53B) (F3N 741)		Gasolina	FWD	1721	54	73	04.92-12.95	*
1.7 (F3N 747)		Gasolina	FWD	1721	69	94	10.96-06.01	*
1.7 (F3N 746)		Gasolina	FWD	1721	79	107	05.92-09.94	*
1.8 16V (B/C53D) (F7P 704)		Gasolina	FWD	1764	99	135	04.92-12.95	*
1.8 16V (F7P 702)		Gasolina	FWD	1764	104	141	10.96-06.01	*
1.9 D (B/C53J) (F8Q 742)		Diesel	FWD	1870	47	64	04.92-12.95	*
1.9 D (F8Q 748)		Diesel	FWD	1870	52	71	10.96-06.01	*
1.9 dT (B/C53T) (F8Q 744)		Diesel	FWD	1870	66	90	04.92-12.95	*
1.9 D (F8Q 754)		Diesel	FWD	1870	71	97	10.96-06.01	*

LISTA DE APLICACIONES - BUYERS GUIDE

1.9 D		Diesel	FWD	1870	75	102	07.98-06.01	*
R 19 II (D53_) 07.91-04.92				Cabrío (Compact car-C Segment)				
1.7 (D53C) (F3N 742)		Gasolina	FWD	1721	66	90	04.92-09.93	*
1.7 (D53C) (F3N 743)		Gasolina	FWD	1721	66	90	04.92-09.93	*
1.8 16V (D53D) (F7P 700)		Gasolina	FWD	1764	101	137	07.91-04.92	*
1.8 16V (D53D) (F7P 704)		Gasolina	FWD	1764	101	137	07.91-04.92	*
1.8 (D53Y) (F3P 704)		Gasolina	FWD	1794	65	88	04.92-06.96	*
1.8 (D53Y) (F3P 705)		Gasolina	FWD	1794	65	88	04.92-06.96	*
1.8 (D53Y) (F3P 706)		Gasolina	FWD	1794	65	88	04.92-06.96	*
1.8 (D53Y) (F3P 707)		Gasolina	FWD	1794	65	88	04.92-06.96	*
1.8 (D53Y) (F3P 708)		Gasolina	FWD	1794	65	88	04.92-06.96	*
1.8 (D53Y) (F3P 760)		Gasolina	FWD	1794	65	88	04.92-06.96	*
1.8 (D53Y) (F3P 706)		Gasolina	FWD	1794	69	94	04.92-01.96	*
1.8 (D53Y) (F3P 707)		Gasolina	FWD	1794	69	94	04.92-01.96	*
1.8 (D53V, 853F, D53C) (F3P 682)		Gasolina	FWD	1794	79	107	07.94-06.96	*
1.8 (D53V, 853F, D53C) (F3P 764)		Gasolina	FWD	1794	79	107	07.94-06.96	*
1.8 (D53V, 853F, D53C) (F3P 765)		Gasolina	FWD	1794	79	107	07.94-06.96	*
R 19 II CHAMADE (L53_) 04.92-08.03				Sedán (Compact car-C Segment)				
1.4 (532) (C3J 710)		Gasolina	FWD	1390	43	58	04.92-12.95	*
1.4 (L535) (E7J 742)		Gasolina	FWD	1390	55	75	11.93-12.95	*
1.4 (E6J 700)		Gasolina	FWD	1390	57	78	10.94-11.95	*
1.6 (L53S) (C2L 794)		Gasolina	FWD	1565	57	78	01.94-11.01	*
1.6 (K7M 703)		Gasolina	FWD	1598	66	90	10.96-06.01	*
1.7 (L53B) (F3N 740)		Gasolina	FWD	1721	54	73	04.92-12.95	*
1.7 (L53B) (F3N 741)		Gasolina	FWD	1721	54	73	04.92-12.95	*
1.7 (L533) (F2N 720)		Gasolina	FWD	1721	68	92	01.93-08.95	*
1.7 (L533) (F2N 721)		Gasolina	FWD	1721	68	92	01.93-08.95	*
1.8 16V (L53D) (F7P 704)		Gasolina	FWD	1764	99	135	04.92-12.95	*
1.8 (L53Y) (F3P 704)		Gasolina	FWD	1794	65	88	04.92-12.95	*
1.8 (L53Y) (F3P 705)		Gasolina	FWD	1794	65	88	04.92-12.95	*
1.8 (L53Y) (F3P 706)		Gasolina	FWD	1794	65	88	04.92-12.95	*
1.8 (L53Y) (F3P 707)		Gasolina	FWD	1794	65	88	04.92-12.95	*
1.8 (L53Y) (F3P 708)		Gasolina	FWD	1794	65	88	04.92-12.95	*
1.8 (L53Y) (F3P 760)		Gasolina	FWD	1794	65	88	04.92-12.95	*
1.9 D (L53J) (F8Q 742)		Diesel	FWD	1870	47	64	04.92-12.97	*
1.9 D (F8Q 740)		Diesel	FWD	1870	68	92	05.92-11.95	*
1.9 D (F8Q 744)		Diesel	FWD	1870	68	92	05.92-11.95	*
R 5 / LE CAR (122_) 01.72-12.85				[CAMBIADO]:Fastback (Supermini car-B Segment)				
1.4 (840 730)		Gasolina	RWD	1397	118	160	09.80-03.85	*
1.4 Turbo (8220) (840 730)		Gasolina	RWD	1397	118	160	06.80-01.85	*
R 9 / ALLIANCE (L42_) 09.81-02.97				Sedán (Compact car-C Segment)				
1.4 Turbo (L425) (C1J 760)		Gasolina	FWD	1397	77	105	04.84-12.86	*
1.4 Turbo (L425) (C1J 764)		Gasolina	FWD	1397	77	105	04.84-12.86	*
1.4 Turbo (C1J 764)		Gasolina	FWD	1397	85	116	12.86-12.89	*
SUPER 5 (B/C40_) 10.84-12.96				[CAMBIADO]:Fastback (Supermini car-B Segment)				
1.4 Turbo		Gasolina	FWD	1397	85	116	08.85-06.89	*
1.4 Turbo (C405) (C1J 782)		Gasolina	FWD	1397	88	120	04.85-08.90	*
1.4 Turbo (C405) (C1J 784)		Gasolina	FWD	1397	88	120	04.85-08.90	*
1.4 Turbo (C405) (C1J 788)		Gasolina	FWD	1397	88	120	04.85-08.90	*

LISTA DE APLICACIONES - BUYERS GUIDE

1.4 Turbo GT (C405) (840 730)	Gasolina	FWD	1397	88	120	01.85-05.91	*
1.7 (F2N 740)	Gasolina	FWD	1721	66	90	09.88-09.90	*
1.7 i (C409) (F3N 702)	Gasolina	FWD	1721	69	94	10.86-08.91	*
1.7 i (C409) (F3N 722)	Gasolina	FWD	1721	69	94	10.86-08.91	*
SUPER 5 (S40_) 10.84-12.96						Furgón/hatchback (LCVs-N1 Segment)	
1.4 (C1J 788)	Gasolina	FWD	1397	85	116	04.85-10.87	*
1.7 GTX, Monaco	Gasolina	FWD	1695	68	93	10.84-	*
THALIA / SYMBOL (LB_) 02.98-						Sedán (Supermini car-B Segment)	
2.0	Gasolina	FWD	1998	124	169	09.01-	*