

LISTA DE APLICACIONES - BUYERS GUIDE

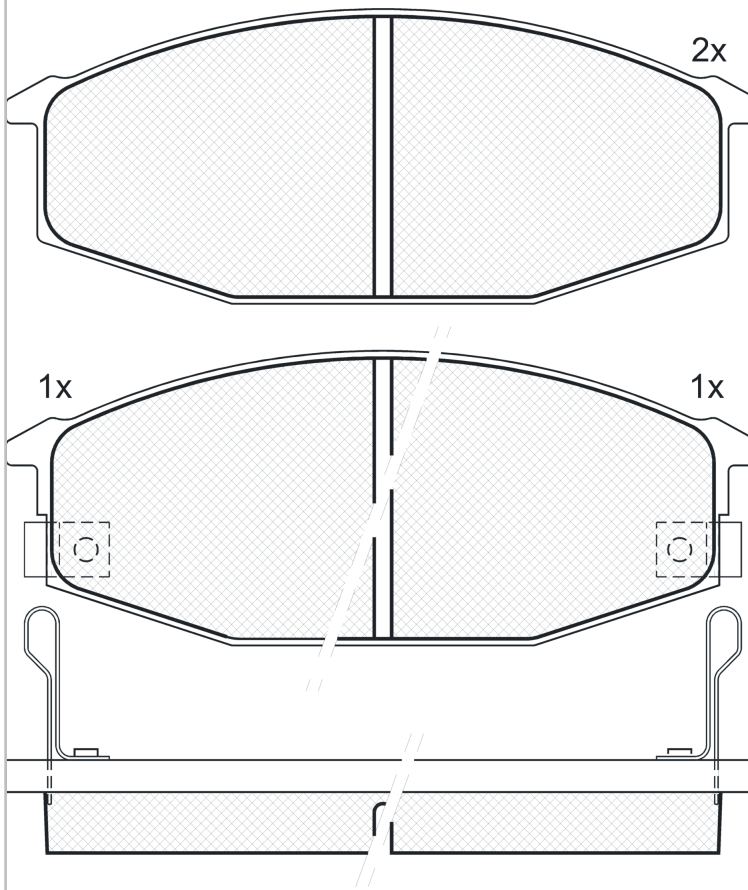
RB0637



Qty: 639

Weight: 1.430

O.E.M.	MAKE
41060-P9125	NISSAN
41060-R9090	NISSAN
41060-V0492	NISSAN



RB0637



Akebono

129.95x50.8x16.5

130.02x51.15x16.5

WVA	FMSI
20628	D229-7145
20832	
20855	

Sin Filas



Trac.	CC	Kw	CV
-------	----	----	----



Front / Rear

NISSAN

280 ZX (U.S.A.) 09.78-12.83

				Coupé (Grand Tourer-S Segment)			
2.8 i	Gasolina	FWD	2795			09.78-	*
2.8 i Turbo	Gasolina	FWD	2795			09.78-	*

280ZX,ZXT (HGS130) 07.78-05.84

				Coupé (Grand Tourer-S Segment)			
2.8 (L28E)	Gasolina	RWD	2753	103	140	10.78-06.83	*
2.8 (L28E)	Gasolina	RWD	2753	108	147	02.80-09.82	*
2.8 (L28E)	Gasolina	RWD	2753	110	150	01.82-02.84	*
2.8 (L28ET)	Gasolina	RWD	2753	147	200	01.83-02.84	*

URVAN (E23) 07.80-11.98

				[CAMBIADO]:Furgón (LCVs-N1 Segment)			
2.0 (H20)	Gasolina	RWD	1982	55	75	07.81-11.82	*
2.2 D (SD22)	Diesel	RWD	2164	47	64	07.81-11.82	*

URVAN (E23) 07.80-11.88

				Bus (Minibus-M2-Segment)			
2.0 (E23B) (Z20)	Gasolina	RWD	1952	64	87	12.82-11.88	*