


# LISTA DE APLICACIONES - BUYERS GUIDE

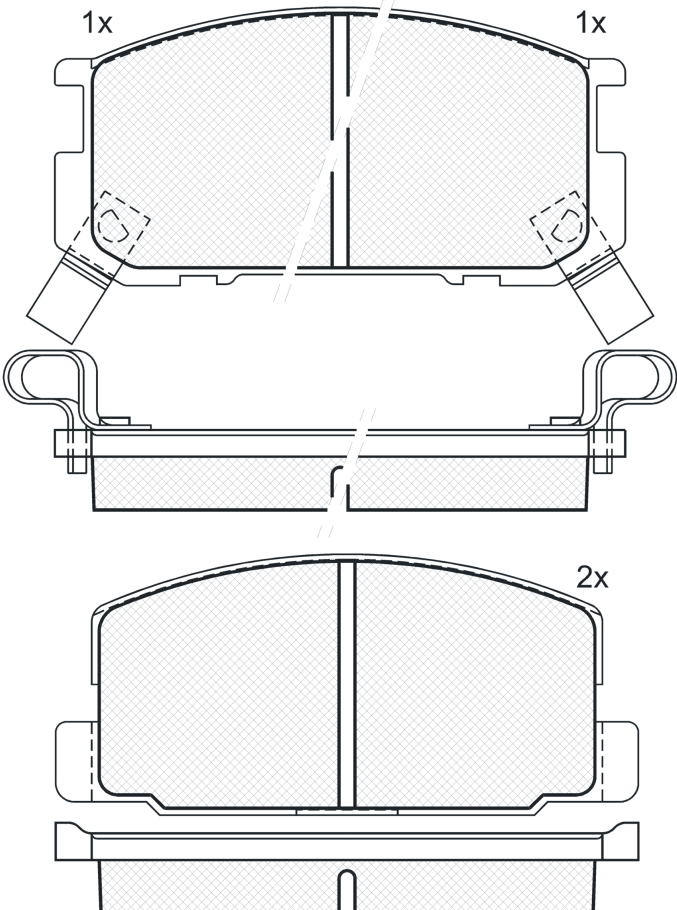
## RB0605




8 424073 121103

Qty: 300      Weight: 1.090

O.E.M.	MAKE
04465-12430	TOYOTA
04465-14050	TOYOTA
04491-12093	TOYOTA
04491-12130	DAIHATSU
04491-12200	TOYOTA



## RB0605





Akebono

106.78x52.17x15
108.94x48.87x15

WVA	FMSI
20856	D282-7184
20867	
20875	

Sin Filas



Trac.	CC	Kw	CV					
						Front / Rear		

DAIHATSU									
<b>CHARMANT II (A) 10.81-07.87</b>							<b>Sedán (Compact car-C Segment)</b>		
1.6 (A60) (4A)		Gasolina	RWD	1587	61	83	08.83-07.87	*	
TOYOTA									
<b>CARINA II-III (_A6_) 03.81-09.83</b>							<b>[CAMBIADO]:Break (Compact car-C Segment)</b>		
1.8 (TA62_, TA62R) (3T-C)		Gasolina	RWD	1770	57	78	08.82-12.82	*	
<b>CARINA II-III (TA4_, TA6_) 05.73-09.83</b>							<b>Sedán (Compact car-C Segment)</b>		
1.8 (TA62_, TA62) (3T)		Gasolina	RWD	1770	57	78	01.78-05.83	*	
1.8 (TA62_, TA62) (3T-C)		Gasolina	RWD	1770	57	78	01.78-05.83	*	
1.8 (TA63) (3T)		Gasolina	RWD	1770	62	84	08.81-09.83	*	
1.8 (TA63) (3T-C)		Gasolina	RWD	1770	62	84	08.81-09.83	*	
<b>CELICA II (_A4_) 08.77-07.81</b>							<b>[CAMBIADO]:Fastback (Sports car-S Segment)</b>		
1.6 ST (TA40_, TA40R) (2TB)		Gasolina	RWD	1588	63	86	08.77-07.81	*	
1.6 ST (TA40_, TA40R) (2T)		Gasolina	RWD	1588	66	90	02.79-07.81	*	
<b>CELICA III (_A6_) 08.81-12.85</b>							<b>Coupé (Sports car-S Segment)</b>		
1.6 (AA63_, AA63R) (4A-GE)		Gasolina	RWD	1587	91	124	12.83-12.85	*	
<b>COROLLA V (_E8_) 05.82-05.89</b>							<b>[CAMBIADO]:Fastback (Supermini car-B Segment)</b>		
1.6		Gasolina	FWD	1587	85	116	05.85-04.87	*	
<b>COROLLA V / COROLLA SPRINTER (AE86) 05.83-07.87</b>							<b>Coupé (Supermini car-B Segment)</b>		
1.6 SR (AE86) (4A-C)		Gasolina	RWD	1587	57	78	05.83-04.87	*	
1.6 SR		Gasolina	FWD	1587	58	79	08.83-04.85	*	
1.6 16V (AE86_, AE86) (4A-GEC)		Gasolina	RWD	1587	85	115	12.85-04.87	*	

## LISTA DE APLICACIONES - BUYERS GUIDE

1.6 GT 16V (AE86) (4A-GE)	Gasolina	RWD	1587	91	124	08.83-07.87	*
1.6 GTi Twin Cam (AE86_, AE86)	Gasolina	RWD	1587	96	131	06.83-07.87	*
<b>COROLLA V Compact (E8B) 08.84-05.88</b>				<b>[CAMBIADO]:Fastback (Supermini car-B Segment)</b>			
1.6	Gasolina	FWD	1587	85	116	05.85-04.87	*
1.6 GT 16V (AE82_) (4A-GEL)	Gasolina	FWD	1587	89	121	08.85-08.87	*
<b>CORONA VI (_T1_) 09.78-12.83</b>				<b>Sedán (Large family car-D Segment)</b>			
1.6 SD, GL	Gasolina	FWD	1595	55	75	09.78-	*
1.8	Gasolina	FWD	1795	55	75	09.78-	*
2.0 DLX	Gasolina	FWD	1995	65	88	09.78-	*
2.4 Csi, Cxi	Gasolina	FWD	2395	68	92	09.78-	*
<b>CORONA VII (_T14_) 08.83-08.88</b>				<b>[CAMBIADO]:Break (Large family car-D Segment)</b>			
2.0	Gasolina	FWD	1995	65	88	08.83-	*
<b>CORONA VII (_T14_, _T15_, _T16_) 01.82-08.88</b>				<b>Sedán (Large family car-D Segment)</b>			
2.0 D	Diesel	RWD	1974	54	73	01.84-08.88	*
<b>SPRINTER V 06.83-07.87</b>				<b>[CAMBIADO]:Fastback (Compact executive car-D Segment)</b>			
1.6 GTI	Gasolina	FWD	1587	91	124	10.84-07.87	*
1.6 GTI	Gasolina	FWD	1587	96	131	06.83-07.87	*
<b>SPRINTER V 06.83-07.87</b>				<b>Coupé (Compact executive car-D Segment)</b>			
1.6 GTi (AE86)	Gasolina	FWD	1587	91	124	10.84-07.87	*