

# LISTA DE APLICACIONES - BUYERS GUIDE

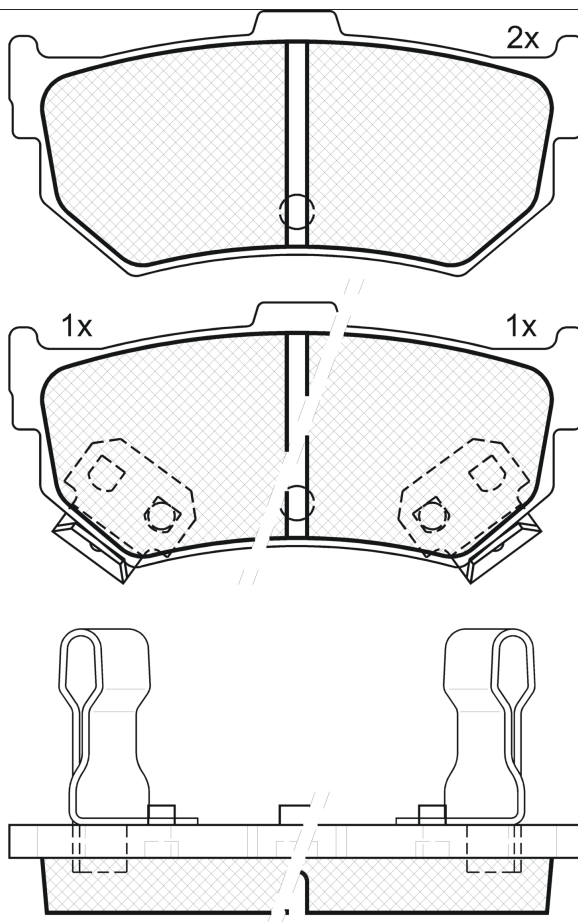
## RB0600



Qty: 944

Weight: 576

O.E.M.	MAKE
43022-SA5-506	HONDA
43022-SF1-S00	HONDA
55800-64810	SUZUKI
55800-64820	SUZUKI
55800-64821	SUZUKI
55800-64B20	SUZUKI
55860-64B00	SUZUKI
55870-64B00	SUZUKI



## RB0600



Akebono

85.21x39.2x13

WVA	FMSI
21043	D277-7180
21401	
21407	

Sin Filas



Trac.	CC	Kw	CV
-------	----	----	----



Front / Rear

### HONDA

							Coupé (Sport compact car-C Segment)				
<b>PRELUDE II (AB) 01.83-09.87</b>											
1.8 EX (AAB) (ET2)		Gasolina	FWD	1829	77	105	11.83-04.87			*	
1.8 EX (AAB) (ET3)		Gasolina	FWD	1829	77	105	11.83-04.87			*	
2.0 i		Gasolina	FWD	1955	85	116	01.86-09.87			*	
<b>PRELUDE III (BA) 04.86-11.96</b>							Coupé (Sport compact car-C Segment)				
2.0 EX (BA4) (B20A3)		Gasolina	FWD	1958	80	109	04.87-01.92			*	
2.0 (BA4) (B20A4)		Gasolina	FWD	1958	84	114	08.87-01.92			*	
2.0 i EX 16V (BA4)		Gasolina	FWD	1958	106	144	10.87-12.91			*	
2.0 i EX 16V (BA5) (B20A7)		Gasolina	FWD	1958	110	150	10.87-12.90			*	

### SUZUKI

							[CAMBIADO]:Fastback (Supermini car-B Segment)				
<b>SWIFT II / CULTUS (EA, MA) 03.89-12.05</b>											
1.3 (SF413) (G13BB)		Gasolina	FWD	1298	63	86	06.01-12.03			*	
1.3 GTi (SF413, AA34) (G13B)		Gasolina	FWD	1298	74	101	03.89-05.01			*	
<b>SWIFT / CULTUS / SA 310 (AA) 10.83-12.89</b>							[CAMBIADO]:Fastback (Supermini car-B Segment)				
1.3 GTi/GXi (SA413, AA33) (G13B)		Gasolina	FWD	1298	74	101	08.85-03.89			*	