

LISTA DE APLICACIONES - BUYERS GUIDE

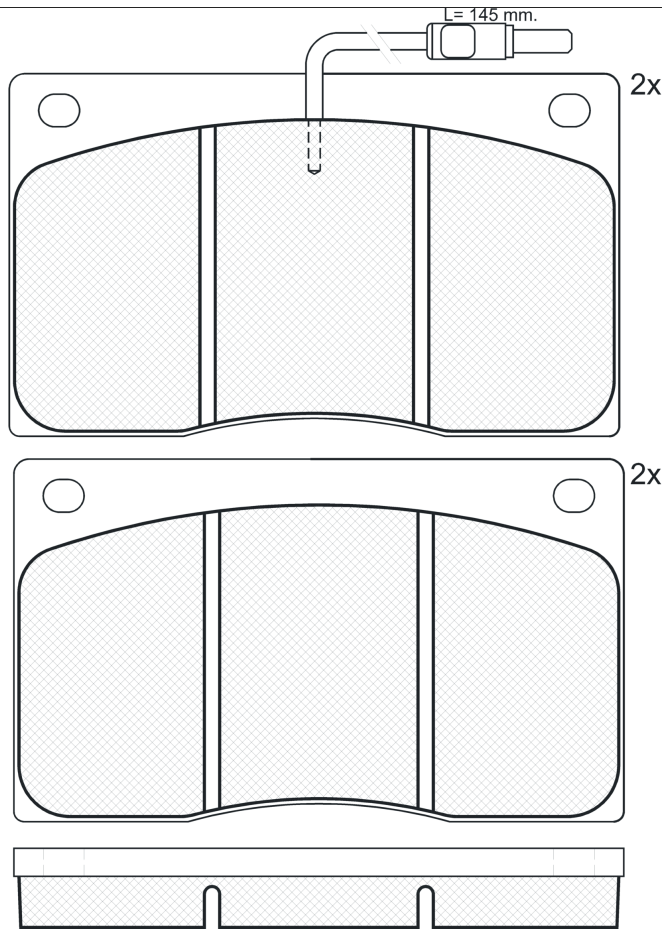
RB0544



Qty: 639

Weight: 2.010

O.E.M.	MAKE
50 01 000 478	RENAULT
77 01 203 071	RENAULT
86 60 004 717	RENAULT
86 71 016 677	RENAULT



RB0544

E1 90R-01217/217



Lucas - Girling

119.7x71x15.6

WVA
20380
21110

Sin Filas



Trac.	CC	Kw	CV
-------	----	----	----



Front / Rear

RENAULT

							[CAMBIADO]:Furgón (LCVs-N1 Segment)	
MASTER (T_) 07.80-07.98								
28-35 2.0 (J5R 718)		Gasolina	FWD	1995	58	79	10.86-07.98	*
28-35 2.0 (829 731)		Gasolina	FWD	1995	59	80	08.80-10.86	*
2.0		Gasolina	RWD	1995	60	82	06.85-10.89	*
30 2.2 (J7T 782)		Gasolina	FWD	2165	67	91	08.80-07.98	*
30 2.2 (J7T 788)		Gasolina	FWD	2165	67	91	08.80-07.98	*
28-35 2.1 D (J8S 330)		Diesel	FWD	2068	44	60	08.80-07.98	*
2.4 D (S8U 731)		Diesel	RWD	2445	50	68	07.80-06.83	*
2.4 D (S8U 730)		Diesel	RWD	2445	52	71	07.83-08.86	*
28-35 2.4 D (8140.61.2300)		Diesel	FWD	2445	52	71	08.80-08.89	*
28-35 2.4 D (S8U 731)		Diesel	FWD	2445	52	71	08.80-08.89	*
2.4 D (S8U 730)		Diesel	RWD	2445	53	72	09.86-12.92	*
28-35 2,5 D (8140.67.2510)		Diesel	FWD	2499	55	75	08.89-07.98	*
28-35 2,5 D (S8U 742)		Diesel	FWD	2499	55	75	08.89-07.98	*
35 2,5 TD (8140.27.2500)		Diesel	FWD	2499	69	94	08.89-07.98	*
35 2,5 TD (8140.27.2510)		Diesel	FWD	2499	69	94	08.89-07.98	*
35 2,5 TD (S9U 714)		Diesel	FWD	2499	69	94	08.89-07.98	*
35 2,5 TD (S9U 740)		Diesel	FWD	2499	69	94	08.89-07.98	*
28-35 2,5 TD (8140.27.2580)		Diesel	FWD	2499	72	98	08.89-07.98	*
28-35 2,5 TD (S9U 702)		Diesel	FWD	2499	72	98	08.89-07.98	*
MASTER (T_) 08.80-07.98							Bus (Minibus-M2-Segment)	
28-35 2.0 (J5R 718)		Gasolina	FWD	1995	58	79	10.86-07.98	*
28-35 2.0 (829 731)		Gasolina	FWD	1995	59	80	08.80-09.86	*

LISTA DE APLICACIONES - BUYERS GUIDE

2.0 (J5R 728)		Gasolina	RWD	1995	60	82	06.85-10.89	*
30 2.2 (J7T 782)		Gasolina	FWD	2165	67	91	08.80-07.98	*
30 2.2 (J7T 788)		Gasolina	FWD	2165	67	91	08.80-07.98	*
2.1 D (J8S 330)		Diesel	RWD	2068	44	60	11.89-04.95	*
28-35 2.1 D (J8S 330)		Diesel	FWD	2068	44	60	08.80-07.98	*
28-35 2.4 D (8140.61.2300)		Diesel	FWD	2445	52	71	08.80-08.89	*
28-35 2.4 D (S8U 731)		Diesel	FWD	2445	52	71	08.80-08.89	*
28-35 2.5 D (8140.67.2510)		Diesel	FWD	2499	55	75	08.89-07.98	*
28-35 2.5 D (S8U 742)		Diesel	FWD	2499	55	75	08.89-07.98	*
35 2,5 TD (8140.27.2500)		Diesel	FWD	2499	69	94	08.89-07.98	*
35 2,5 TD (8140.27.2510)		Diesel	FWD	2499	69	94	08.89-07.98	*
35 2,5 TD (S9U 714)		Diesel	FWD	2499	69	94	08.89-07.98	*
28-35 2,5 TD		Diesel	FWD	2499	72	98	08.89-07.98	*
MASTER (P_) 07.80-07.98					Caja/Chasis (LCVs-N1 Segment)			
28-35 2.0 (J5R 728)		Gasolina	FWD	1995	58	79	10.86-07.98	*
2.0 (829 731)		Gasolina	FWD	1995	59	80	07.80-06.85	*
28-35 2.0 (829 730)		Gasolina	RWD	1995	59	80	10.82-09.86	*
2.0 (J5R 718)		Gasolina	FWD	1995	60	82	11.89-07.93	*
2.0		Gasolina	RWD	1995	60	82	11.89-12.95	*
2.2 (J7T 788)		Gasolina	RWD	2165	71	97	08.93-02.98	*
2.1 D (J8S 330)		Diesel	RWD	2068	46	63	11.89-07.93	*
2.4 D (S8U 730)		Diesel	FWD	2445	52	71	08.93-02.98	*
28-35 2.5 D (8140.61.2300)		Diesel	RWD	2445	52	71	09.80-07.98	*
28-35 2.5 D (S8U 731)		Diesel	RWD	2445	52	71	09.80-07.98	*
2.5 D (S8U 742)		Diesel	FWD	2499	55	75	07.80-10.89	*
2.5 DT (S9U 702)		Diesel	FWD	2499	69	94	11.89-10.93	*
2.5 DT (S9U 740)		Diesel	FWD	2499	70	95	08.93-02.98	*
RENAULT TRUCKS								
B 01.83-01.92					[CAMBIADO]:Furgón (LCVs-N1 Segment)			
2.4 60.35		Diesel	RWD	2395	44	60	01.83-	*
MESSENGER 09.90-06.99					[CAMBIADO]:Furgón (LCVs-N1 Segment)			
B 80.35 (FN40B5) (8140.07.2585)		Diesel	RWD	2500	55	75	09.90-06.99	*
B 80.35 (FN40B5) (8140.67.2585)		Diesel	RWD	2500	55	75	09.90-06.99	*
B 80.35 (FN40B5) (8140.07.2530 ID)		Diesel	RWD	2500	56	76	09.90-06.99	*