


LISTA DE APLICACIONES - BUYERS GUIDE

RB0517

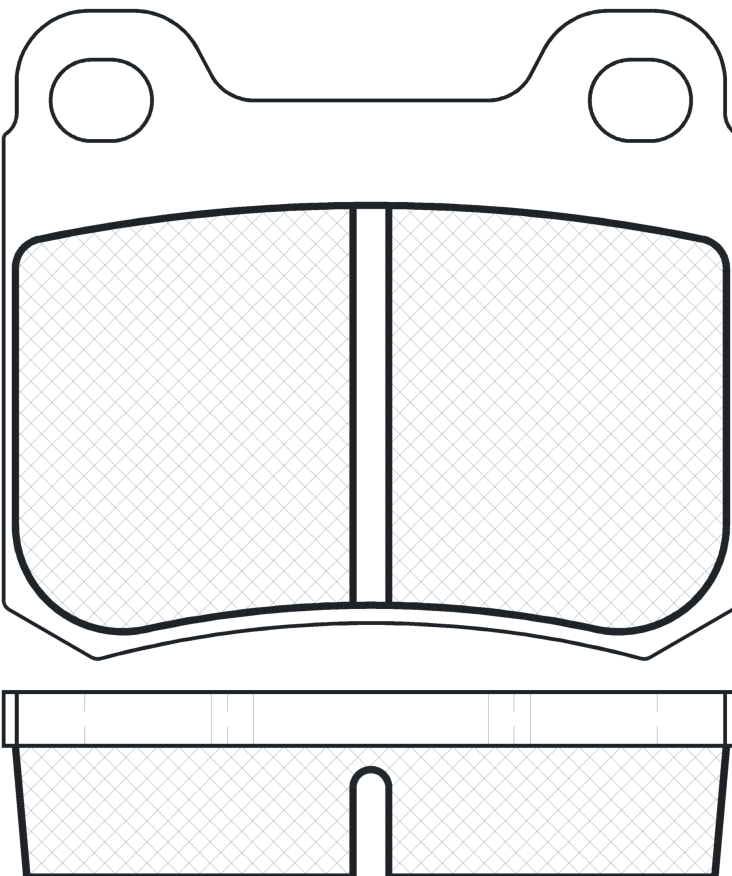


8 424073 120540

Qty: 944 Weight: 650


O.E.M.	MAKE
000 420 98 20	MERCEDES-BENZ

4x



RB0517

E 9 **90R-02A0110/2903**



Ate - Teves

61.6x54.3x15.5

WVA	FMSI
20687	D335-7315

Sin Filas



Trac.	CC	Kw	CV
-------	----	----	----



MERCEDES-BENZ

124 (C124) 03.87-07.93					Coupé (Executive car-E Segment)				
200 CE (124.041) (M 102.963)		Gasolina	RWD	1996	87	118	03.90-12.92	*	
200 CE (124.041) (M 102.963)		Gasolina	RWD	1996	90	122	03.90-12.92	*	
200 CE (124.040) (M 111.940)		Gasolina	RWD	1998	100	136	07.92-07.93	*	
220 CE (124.042) (M 111.960)		Gasolina	RWD	2199	110	150	10.92-05.93	*	
230 CE (124.043) (M 102.982)		Gasolina	RWD	2298	97	132	03.87-12.92	*	
230 CE Cat (124.043) (M 102.982)		Gasolina	RWD	2298	97	132	06.89-12.92	*	
230 CE (124.043) (M 102.982)		Gasolina	RWD	2298	100	136	03.87-12.92	*	
300 CE (124.050) (M 103.983)		Gasolina	RWD	2960	132	180	03.87-05.93	*	
300 CE (124.050) (M 103.983)		Gasolina	RWD	2960	138	188	03.87-12.89	*	
124 (W124) 12.84-08.93					Sedán (Executive car-E Segment)				
200 (124.020) (M 102.922)		Gasolina	RWD	1996	75	102	01.86-05.90	*	
200 (124.020) (M 102.922)		Gasolina	RWD	1996	77	105	01.86-10.92	*	
200 (124.020) (M 102.922)		Gasolina	RWD	1996	80	109	12.85-05.90	*	
200 E (124.021) (M 102.963)		Gasolina	RWD	1996	87	118	09.88-08.93	*	
200 E (124.021) (M 102.963)		Gasolina	RWD	1996	90	122	09.88-12.89	*	
200 E (124.020)		Gasolina	RWD	1997	77	105	11.92-05.93	*	
200 E (124.019) (M 111.940)		Gasolina	RWD	1998	100	136	10.92-06.93	*	
220 E (124.022) (M 111.960)		Gasolina	RWD	2199	110	150	10.92-06.93	*	
230 E (124.023) (M 102.982)		Gasolina	RWD	2298	97	132	12.84-03.92	*	
230 E Cat (124.023) (M 102.982)		Gasolina	RWD	2298	97	132	06.89-06.93	*	
230 E (124.023) (M 102.982)		Gasolina	RWD	2298	100	136	01.85-06.93	*	
260 E (124.026) (M 103.940)		Gasolina	RWD	2597	118	160	09.85-08.92	*	
260 E 4-matic (124.226) (M 103.943)		Gasolina	4WD	2597	118	160	09.86-08.92	*	

LISTA DE APLICACIONES - BUYERS GUIDE

260 E (124.026) (M 103.940)	Gasolina	RWD	2597	122	166	09.85-12.89	*
260 E 4-matic (124.226) (M 103.940)	Gasolina	4WD	2597	122	166	12.86-12.89	*
280 E (124.028) (M 104.942)	Gasolina	RWD	2799	145	197	10.92-06.93	*
300 E (124.030) (M 103.983)	Gasolina	RWD	2960	132	180	08.85-08.92	*
300 E 4-matic (124.230) (M 103.985)	Gasolina	4WD	2960	132	180	09.86-06.93	*
300 E (124.030) (M 103.980)	Gasolina	RWD	2960	138	188	01.85-12.85	*
300 E (124.030) (M 103.983)	Gasolina	RWD	2960	138	188	06.85-08.92	*
300 E 4-matic (124.230) (M 103.983)	Gasolina	4WD	2960	138	188	09.86-02.92	*
300 E-24 (124.031) (M 104.980)	Gasolina	RWD	2960	170	231	09.88-08.92	*
200 D (124.120) (OM 601.912)	Diesel	RWD	1997	53	72	12.84-08.89	*
200 D (124.120) (OM 601.912)	Diesel	RWD	1997	55	75	08.89-06.93	*
250 D (124.125) (OM 602.912)	Diesel	RWD	2497	66	90	04.85-06.93	*
250 D (124.125) (OM 602.912)	Diesel	RWD	2497	69	94	01.89-06.93	*
250 Turbo-D (124.128) (OM 602.962)	Diesel	RWD	2497	93	126	09.88-06.93	*
300 D (124.130) (OM 603.912)	Diesel	RWD	2996	80	109	12.84-08.89	*
300 D 4-matic (124.330) (OM 603.913)	Diesel	4WD	2996	80	109	09.86-08.92	*
300 D (124.130) (OM 603.912)	Diesel	RWD	2996	81	110	06.90-06.93	*
300 D (124.130) (OM 603.912)	Diesel	RWD	2996	83	113	08.89-06.93	*
300 D 4-matic (124.330) (OM 603.913)	Diesel	4WD	2996	83	113	08.89-06.93	*
300 Turbo-D (124.133) (OM 603.960)	Diesel	RWD	2996	105	143	09.86-09.88	*
300 Turbo-D (124.133) (OM 603.963)	Diesel	RWD	2996	105	143	09.86-09.88	*
300 Turbo-D 4-matic (124.333) (OM 603.960)	Diesel	4WD	2996	105	143	09.86-09.88	*
300 Turbo-D 4-matic (124.333) (OM 603.963)	Diesel	4WD	2996	105	143	09.86-09.88	*
300 Turbo-D (124.133) (OM 603.960)	Diesel	RWD	2996	108	147	09.88-06.93	*
300 Turbo-D 4-matic (124.333) (OM 603.963)	Diesel	4WD	2996	108	147	01.88-06.93	*
3.4 300 TD SD	Diesel	RWD	3449	110	150	06.91-05.93	*
124 T-Model (S124) 09.85-12.93				[CAMBIADO]:Break (Executive car-E Segment)			
200 T (124.080) (M 102.922)	Gasolina	RWD	1996	80	109	09.85-08.89	*
300 TE (124.090) (M 103.983)	Gasolina	RWD	2960	138	188	01.86-12.89	*
250 TD Turbo (124.188) (OM 602.962)	Diesel	RWD	2497	93	126	03.88-07.93	*
300 TD T	Diesel	RWD	2996	100	136	06.92-05.93	*
190 (W201) 10.82-08.93				Sedán (Compact executive car-D Segment)			
E 2.3-16 (201.034) (M 102.983)	Gasolina	RWD	2298	125	170	09.85-12.87	*
E 2.3-16 (201.034) (M 102.983)	Gasolina	RWD	2298	130	177	09.85-08.88	*
E 2.3-16 (201.034) (M 102.983)	Gasolina	RWD	2298	136	185	04.84-01.87	*
E 2.5-16 Evolution (201.036) (M 102.991)	Gasolina	RWD	2498	143	194	03.89-08.93	*
E 2.5-16 (201.035) (M 102.990)	Gasolina	RWD	2498	150	204	09.88-08.93	*
C-Class (W202) 03.93-05.00				Sedán (Executive car-E Segment)			
C 180 (202.018) (M 111.921)	Gasolina	RWD	1799	89	121	11.94-05.00	*
C 180 (202.018) (M 111.920)	Gasolina	RWD	1799	90	122	03.93-05.00	*
C 180 (202.018) (M 111.921)	Gasolina	RWD	1799	90	122	03.93-05.00	*
C 200 (202.020) (M 111.941)	Gasolina	RWD	1998	100	136	01.94-05.00	*
C 200 (202.020) (M 111.945)	Gasolina	RWD	1998	100	136	01.94-05.00	*
C 220 (202.022) (M 111.961)	Gasolina	RWD	2199	110	150	03.93-05.00	*
C 230 (202.023) (M 111.974)	Gasolina	RWD	2295	110	150	06.96-06.97	*
C 280 (202.028) (M 104.941)	Gasolina	RWD	2799	142	193	05.93-05.00	*
C 200 D (202.120) (OM 601.913)	Diesel	RWD	1997	55	75	03.93-05.00	*
C 200 D (202.122) (OM 604.915)	Diesel	RWD	1997	65	88	10.96-05.00	*
C 220 D (202.021) (OM 604.910)	Diesel	RWD	2155	55	75	07.96-05.00	*
C 220 D (202.121) (OM 604.910)	Diesel	RWD	2155	70	95	08.93-05.00	*

LISTA DE APLICACIONES - BUYERS GUIDE

C 250 D (202.125) (OM 605.910)	Diesel	RWD	2497	83	113	05.93-05.00	*
C-Class T-Model (S202) 06.96-03.01				[CAMBIADO]:Break (Compact executive car-D Segment)			
C 230 T (202.083) (M 111.974)	Gasolina	RWD	2295	110	150	06.96-06.98	*
E-Class (C124) 06.93-06.97				Coupé (Executive car-E Segment)			
E 200 (124.040) (M 111.940)	Gasolina	RWD	1998	100	136	06.93-06.97	*
E 220 (124.042) (M 111.960)	Gasolina	RWD	2199	110	150	06.93-06.97	*
E-Class (W124) 02.93-06.96				Sedán (Executive car-E Segment)			
E 200 (124.019) (M 111.940)	Gasolina	RWD	1998	100	136	06.93-06.95	*
E 220 (124.022) (M 111.960)	Gasolina	RWD	2199	110	150	06.93-06.95	*
E 280 (124.029) (M 104.942)	Gasolina	RWD	2799	142	193	06.93-06.95	*
E 280 (124.028) (M 104.942)	Gasolina	RWD	2799	145	197	06.93-06.95	*
E 300 4-matic (124.230) (M 103.985)	Gasolina	4WD	2960	132	180	06.93-06.95	*
E 200 D (124.120) (OM 601.912)	Diesel	RWD	1997	55	75	06.93-06.95	*
E 250 D (124.126, 124.129) (OM 605.911)	Diesel	RWD	2497	83	113	07.93-06.95	*
E 250 Turbo-D (124.128) (OM 602.962)	Diesel	RWD	2497	93	126	06.93-06.95	*
E 300 D (124.131) (OM 606.910)	Diesel	RWD	2996	100	136	07.93-06.95	*
E 300 Turbo-D (124.133) (OM 603.960)	Diesel	RWD	2996	108	147	06.93-06.95	*
E 300 Turbo-D 4-matic (124.333) (OM 603.963)	Diesel	4WD	2996	108	147	06.93-06.95	*
E-Class T-Model (S124) 06.93-06.96				[CAMBIADO]:Break (Executive car-E Segment)			
E 250 TD (124.186) (OM 605.911)	Diesel	RWD	2497	83	113	06.93-06.96	*
E 250 Turbo D (124.188) (OM 602.962)	Diesel	RWD	2497	93	126	06.93-06.96	*
E 300 TD (124.191) (OM 606.910)	Diesel	RWD	2996	100	136	06.93-06.96	*
E 300 T Turbo-D (124.193) (OM 603.960)	Diesel	RWD	2996	108	147	06.93-06.96	*