

LISTA DE APLICACIONES - BUYERS GUIDE

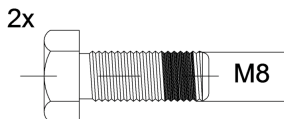
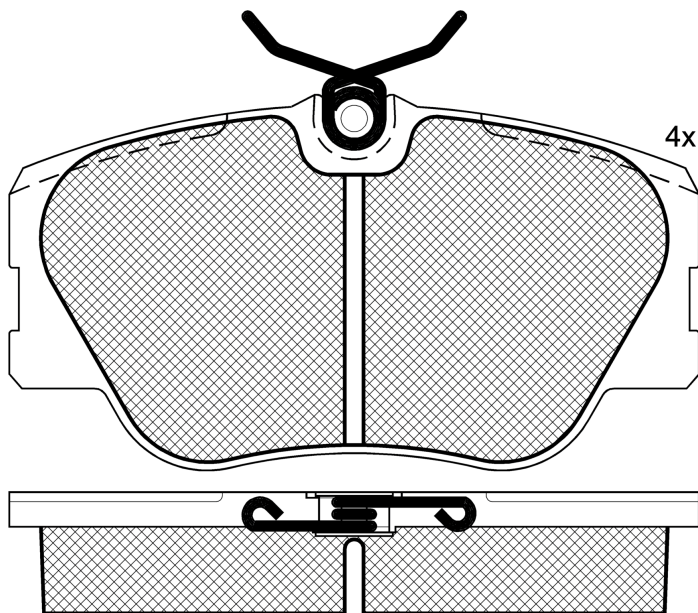
RB0510-700



Qty: 300

Weight: 1.505

O.E.M.	MAKE
000 142 99 20	MERCEDES-BENZ
000 420 07 20	MERCEDES-BENZ
000 420 99 20	MERCEDES-BENZ
001 420 07 20	MERCEDES-BENZ
001 420 12 20	MERCEDES-BENZ
001 420 12 20 05	MERCEDES-BENZ
002 420 23 20	MERCEDES-BENZ



1-Ref. 690022

RB0510-700

E 9 90R-02A0111/1261



Lucas - Girling

109.5x59.4x19.3

WVA	FMSI
20940	D423-7311
20941	
21028	
21029	

Sin Filas



Trac.	CC	Kw	CV
-------	----	----	----



Front / Rear

MERCEDES-BENZ

							Coupé (Executive car-E Segment)			
124 (C124) 03.87-07.93										
200 CE (124.041) (M 102.963)			Gasolina	RWD	1996	87	118	03.90-12.92	*	
200 CE (124.041) (M 102.963)			Gasolina	RWD	1996	90	122	03.90-12.92	*	
200 CE (124.040) (M 111.940)			Gasolina	RWD	1998	100	136	07.92-07.93	*	
220 CE (124.042) (M 111.960)			Gasolina	RWD	2199	110	150	10.92-05.93	*	
230 CE (124.043) (M 102.982)			Gasolina	RWD	2298	97	132	03.87-12.92	*	
230 CE Cat (124.043) (M 102.982)			Gasolina	RWD	2298	97	132	06.89-12.92	*	
230 CE (124.043) (M 102.982)			Gasolina	RWD	2298	100	136	03.87-12.92	*	
300 CE (124.050) (M 103.983)			Gasolina	RWD	2960	132	180	03.87-05.93	*	
300 CE (124.050) (M 103.983)			Gasolina	RWD	2960	138	188	03.87-12.89	*	
							Sedán (Executive car-E Segment)			
124 (W124) 12.84-08.93										
200 (124.020) (M 102.922)			Gasolina	RWD	1996	75	102	01.86-05.90	*	
200 (124.020) (M 102.922)			Gasolina	RWD	1996	77	105	01.86-10.92	*	
200 (124.020) (M 102.922)			Gasolina	RWD	1996	80	109	12.85-05.90	*	
200 E (124.021) (M 102.963)			Gasolina	RWD	1996	87	118	09.88-08.93	*	
200 E (124.021) (M 102.963)			Gasolina	RWD	1996	90	122	09.88-12.89	*	
200 E (124.020)			Gasolina	RWD	1997	77	105	11.92-05.93	*	
200 E (124.019) (M 111.940)			Gasolina	RWD	1998	100	136	10.92-06.93	*	
220 E (124.022) (M 111.960)			Gasolina	RWD	2199	110	150	10.92-06.93	*	
230 E (124.023) (M 102.982)			Gasolina	RWD	2298	97	132	12.84-03.92	*	
230 E Cat (124.023) (M 102.982)			Gasolina	RWD	2298	97	132	06.89-06.93	*	
230 E (124.023) (M 102.982)			Gasolina	RWD	2298	100	136	01.85-06.93	*	
260 E (124.026) (M 103.940)			Gasolina	RWD	2597	118	160	09.85-08.92	*	
260 E 4-matic (124.226) (M 103.943)			Gasolina	4WD	2597	118	160	09.86-08.92	*	

LISTA DE APLICACIONES - BUYERS GUIDE

260 E (124.026) (M 103.940)	Gasolina	RWD	2597	122	166	09.85-12.89	*
260 E 4-matic (124.226) (M 103.940)	Gasolina	4WD	2597	122	166	12.86-12.89	*
280 E (124.028) (M 104.942)	Gasolina	RWD	2799	145	197	10.92-06.93	*
300 E (124.030) (M 103.983)	Gasolina	RWD	2960	132	180	08.85-08.92	*
300 E 4-matic (124.230) (M 103.985)	Gasolina	4WD	2960	132	180	09.86-06.93	*
300 E (124.030) (M 103.980)	Gasolina	RWD	2960	138	188	01.85-12.85	*
300 E (124.030) (M 103.983)	Gasolina	RWD	2960	138	188	06.85-08.92	*
300 E 4-matic (124.230) (M 103.983)	Gasolina	4WD	2960	138	188	09.86-02.92	*
300 E-24 (124.031) (M 104.980)	Gasolina	RWD	2960	170	231	09.88-08.92	*
200 D (124.120) (OM 601.912)	Diesel	RWD	1997	53	72	12.84-08.89	*
200 D (124.120) (OM 601.912)	Diesel	RWD	1997	55	75	08.89-06.93	*
250 D (124.125) (OM 602.912)	Diesel	RWD	2497	66	90	04.85-06.93	*
250 D (124.125) (OM 602.912)	Diesel	RWD	2497	69	94	01.89-06.93	*
250 Turbo-D (124.128) (OM 602.962)	Diesel	RWD	2497	93	126	09.88-06.93	*
300 D (124.130) (OM 603.912)	Diesel	RWD	2996	80	109	12.84-08.89	*
300 D 4-matic (124.330) (OM 603.913)	Diesel	4WD	2996	80	109	09.86-08.92	*
300 D (124.130) (OM 603.912)	Diesel	RWD	2996	81	110	06.90-06.93	*
300 D (124.130) (OM 603.912)	Diesel	RWD	2996	83	113	08.89-06.93	*
300 D 4-matic (124.330) (OM 603.913)	Diesel	4WD	2996	83	113	08.89-06.93	*
300 Turbo-D (124.133) (OM 603.960)	Diesel	RWD	2996	105	143	09.86-09.88	*
300 Turbo-D (124.133) (OM 603.963)	Diesel	RWD	2996	105	143	09.86-09.88	*
300 Turbo-D 4-matic (124.333) (OM 603.960)	Diesel	4WD	2996	105	143	09.86-09.88	*
300 Turbo-D 4-matic (124.333) (OM 603.963)	Diesel	4WD	2996	105	143	09.86-09.88	*
300 Turbo-D (124.133) (OM 603.960)	Diesel	RWD	2996	108	147	09.88-06.93	*
300 Turbo-D 4-matic (124.333) (OM 603.963)	Diesel	4WD	2996	108	147	01.88-06.93	*
3.4 300 TD SD	Diesel	RWD	3449	110	150	06.91-05.93	*
124 T-Model (S124) 09.85-12.93				[CAMBIADO]:Break (Executive car-E Segment)			
200 T (124.080) (M 102.922)	Gasolina	RWD	1996	77	105	01.86-05.90	*
200 T (124.080) (M 102.922)	Gasolina	RWD	1996	80	109	09.85-08.89	*
200 TE (124.081) (M 102.963)	Gasolina	RWD	1996	87	118	09.88-08.92	*
200 TE (124.081) (M 102.962)	Gasolina	RWD	1996	90	122	09.88-12.89	*
200 E	Gasolina	RWD	1997	77	105	11.92-05.93	*
200 TE (124.079) (M 111.940)	Gasolina	RWD	1998	100	136	05.86-06.93	*
220 TE (124.082) (M 111.960)	Gasolina	RWD	2199	110	150	10.92-05.93	*
230 TE (124.083) (M 102.982)	Gasolina	RWD	2298	97	132	09.85-08.92	*
230 TE Cat (124.083) (M 102.982)	Gasolina	RWD	2298	97	132	06.89-08.92	*
230 TE (124.083) (M 102.982)	Gasolina	RWD	2298	100	136	09.85-08.92	*
260 TE FGST. (124.007) (M 103.940)	Gasolina	RWD	2597	118	160	09.89-08.92	*
260 TE FGST. (124.007) (M 103.940)	Gasolina	RWD	2597	122	166	09.85-12.89	*
280 TE (124.088) (M 104.942)	Gasolina	RWD	2799	145	197	10.92-06.93	*
300 TE (124.090) (M 103.983)	Gasolina	RWD	2960	132	180	01.86-08.92	*
300 TE 4-matic (124.290) (M 103.985)	Gasolina	4WD	2960	132	180	09.86-06.93	*
300 TE (124.090) (M 103.983)	Gasolina	RWD	2960	138	188	01.86-12.89	*
300 TE 4-matic (124.290) (M 103.983)	Gasolina	4WD	2960	138	188	09.86-12.89	*
200 T D (124.180) (OM 601.912)	Diesel	RWD	1997	53	72	09.85-08.91	*
200 T D (124.180) (OM 601.912)	Diesel	RWD	1997	55	75	09.88-08.91	*
250 T D (124.185) (OM 602.912)	Diesel	RWD	2497	66	90	09.85-06.93	*
250 T D (124.185) (OM 602.912)	Diesel	RWD	2497	69	94	01.89-06.93	*
250 TD Turbo (124.188) (OM 602.962)	Diesel	RWD	2497	93	126	03.88-07.93	*
300 T D (124.190) (OM 603.912)	Diesel	RWD	2996	80	109	09.86-06.93	*
300 T D (124.190) (OM 603.912)	Diesel	RWD	2996	81	110	01.89-06.93	*

LISTA DE APLICACIONES - BUYERS GUIDE

300 T D (124.190) (OM 603.912)		Diesel	RWD	2996	83	113	01.89-06.93	*	
3.0 300 TD T		Diesel	RWD	2996	100	136	06.92-05.93	*	
300 T Turbo-D (124.193) (OM 603.960)		Diesel	RWD	2996	105	143	09.86-01.89	*	
300 T Turbo-D (124.193) (OM 603.963)		Diesel	RWD	2996	105	143	09.86-01.89	*	
300 T Turbo-D 4-matic (124.393) (OM 603.963)		Diesel	4WD	2996	105	143	09.86-01.89	*	
300 T Turbo-D (124.193) (OM 603.960)		Diesel	RWD	2996	108	147	01.89-06.93	*	
300 T Turbo-D 4-matic (124.393) (OM 603.960)		Diesel	4WD	2996	108	147	01.89-06.93	*	
190 (W201) 10.82-08.93							Sedán (Compact executive car-D Segment)		
E 2.3-16 (201.034) (M 102.983)		Gasolina	RWD	2298	125	170	09.85-12.87	*	
E 2.3-16 (201.034) (M 102.983)		Gasolina	RWD	2298	130	177	09.85-08.88	*	
E 2.3-16 (201.034) (M 102.983)		Gasolina	RWD	2298	136	185	04.84-01.87	*	
E 2.5-16 Evolution (201.036) (M 102.991)		Gasolina	RWD	2498	143	194	03.89-08.93	*	
E 2.5-16 (201.035) (M 102.990)		Gasolina	RWD	2498	150	204	09.88-08.93	*	
E-Class (A124) 05.93-03.98							Cabrió (Executive car-E Segment)		
E 200 (124.060) (M 111.940)		Gasolina	RWD	1998	100	136	06.93-03.98	*	
E 220 (124.062) (M 111.960)		Gasolina	RWD	2199	110	150	06.93-03.98	*	
E-Class (C124) 06.93-06.97							Coupé (Executive car-E Segment)		
E 200 (124.040) (M 111.940)		Gasolina	RWD	1998	100	136	06.93-06.97	*	
E 220 (124.042) (M 111.960)		Gasolina	RWD	2199	110	150	06.93-06.97	*	
E-Class (W124) 02.93-06.96							Sedán (Executive car-E Segment)		
E 200 (124.019) (M 111.940)		Gasolina	RWD	1998	100	136	06.93-06.95	*	
E 220 (124.022) (M 111.960)		Gasolina	RWD	2199	110	150	06.93-06.95	*	
E 280 (124.029) (M 104.942)		Gasolina	RWD	2799	142	193	06.93-06.95	*	
E 280 (124.028) (M 104.942)		Gasolina	RWD	2799	145	197	06.93-06.95	*	
E 300 4-matic (124.230) (M 103.985)		Gasolina	4WD	2960	132	180	06.93-06.95	*	
E 200 D (124.120) (OM 601.912)		Diesel	RWD	1997	55	75	06.93-06.95	*	
E 250 D (124.126, 124.129) (OM 605.911)		Diesel	RWD	2497	83	113	07.93-06.95	*	
E 250 Turbo-D (124.128) (OM 602.962)		Diesel	RWD	2497	93	126	06.93-06.95	*	
E 300 D (124.131) (OM 606.910)		Diesel	RWD	2996	100	136	07.93-06.95	*	
E 300 Turbo-D (124.133) (OM 603.960)		Diesel	RWD	2996	108	147	06.93-06.95	*	
E 300 Turbo-D 4-matic (124.333) (OM 603.963)		Diesel	4WD	2996	108	147	06.93-06.95	*	
E-Class T-Model (S124) 06.93-06.96							[CAMBIADO]:Break (Executive car-E Segment)		
E 200 T (124.079) (M 111.940)		Gasolina	RWD	1998	100	136	06.93-06.96	*	
E 220 T (124.082) (M 111.960)		Gasolina	RWD	2199	110	150	06.93-06.96	*	
E 280 T (124.088) (M 104.942)		Gasolina	RWD	2799	142	193	06.93-06.96	*	
E 280 T (124.088) (M 104.942)		Gasolina	RWD	2799	145	197	06.93-06.96	*	
E 300 T 4-matic (124.290) (M 103.985)		Gasolina	4WD	2960	132	180	06.93-06.96	*	
E 250 TD (124.186) (OM 605.911)		Diesel	RWD	2497	83	113	06.93-06.96	*	
E 250 Turbo D (124.188) (OM 602.962)		Diesel	RWD	2497	93	126	06.93-06.96	*	
E 300 TD (124.190)		Diesel	RWD	2996	80	109	06.93-06.96	*	
E 300 TD (124.191) (OM 606.910)		Diesel	RWD	2996	100	136	06.93-06.96	*	
E 300 T Turbo-D (124.193) (OM 603.960)		Diesel	RWD	2996	108	147	06.93-06.96	*	
E 300 T Turbo-D 4-matic (124.393) (OM 603.963)		Diesel	4WD	2996	108	147	06.93-06.96	*	
S-Class II (W126) 10.79-06.91							Sedán (Luxury car-F Segment)		
300 SDL (126.125)		Diesel	RWD	2996	110	150	09.85-12.86	*	