

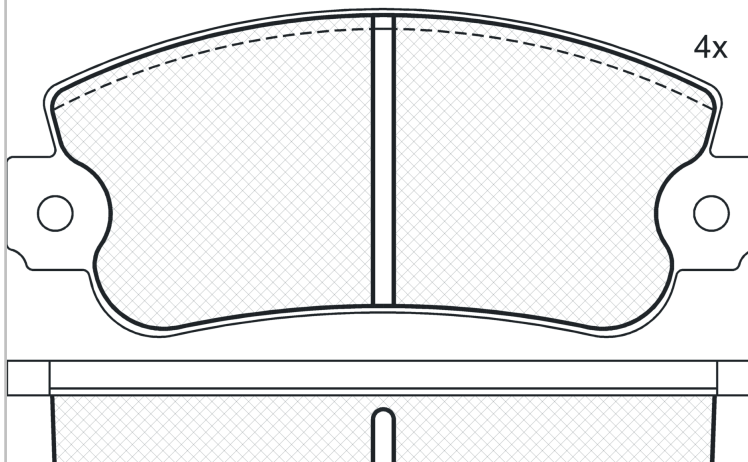
# LISTA DE APLICACIONES - BUYERS GUIDE

## RB0496



Qty: 300      Weight: 970

| O.E.M.       | MAKE       |
|--------------|------------|
| 0060 705 557 | ALFA ROMEO |
| 0060 749 739 | ALFA ROMEO |
| 0060 749 867 | ALFA ROMEO |
| 0060 750 780 | ALFA ROMEO |
| 0060 750 868 | ALFA ROMEO |
| 0060 778 277 | ALFA ROMEO |
| 0060 795 356 | ALFA ROMEO |
| 41060-49867  | NISSAN     |
| 7 501 077    | ALFA ROMEO |



## RB0496



Bendix

108.9x47.5x15

**WVA**  
21131  
Sin Filas



| Trac. | CC | Kw | CV |
|-------|----|----|----|
|-------|----|----|----|



Front / Rear

### ALFA ROMEO

| 33 (905_) 05.83-12.93  | [CAMBIADO]:Fastback (Compact car-C Segment) |     |      |    |    |             |   |
|--|---|-----|------|----|----|-------------|---|
| 1.2 (905.A) (AR 30585)                                       | Gasolina                                    | FWD | 1186 | 50 | 68 | 06.83-12.89 | * |
| 1.3 (905.A1B, 905.A1C, 905.A1G) (AR 30502)                   | Gasolina                                    | FWD | 1351 | 55 | 75 | 06.83-12.89 | * |
| 1.3 (905.A1B, 905.A1C, 905.A1G) (AR 30586)                   | Gasolina                                    | FWD | 1351 | 55 | 75 | 06.83-12.89 | * |
| 1.3 (905A1) (AR 30502)                                       | Gasolina                                    | FWD | 1351 | 58 | 79 | 05.83-12.89 | * |
| 1.3 (905.A1A, 905.A1C, 905.A1D, 905.A1F, 905.A1H) (AR 30168) | Gasolina                                    | FWD | 1351 | 63 | 86 | 10.84-12.89 | * |
| 1.3 (905.A1A, 905.A1C, 905.A1D, 905.A1F, 905.A1H) (AR 30587) | Gasolina                                    | FWD | 1351 | 63 | 86 | 10.84-12.89 | * |
| 1.3 i.e.   | Gasolina                                    | FWD | 1351 | 66 | 90 | 05.83-12.89 | * |
| 1.5 (905.A2A) (AR 30143)                                     | Gasolina                                    | FWD | 1490 | 62 | 84 | 05.83-12.87 | * |
| 1.5 (905.A2A) (AR 30504)                                     | Gasolina                                    | FWD | 1490 | 62 | 84 | 05.83-12.87 | * |

| 33 Sport Wagon (905_) 01.84-12.89   | [CAMBIADO]:Break (Compact car-C Segment) |     |      |    |     |             |   |
|-------------------------------------|--|-----|------|----|-----|-------------|---|
| 1.5 (905A2U) (AR 30588)             | Gasolina                                 | FWD | 1490 | 75 | 102 | 12.86-12.89 | * |
| 1.5 4x4 (905A2S, 905A2U) (AR 30588) | Gasolina                                 | 4WD | 1490 | 75 | 102 | 12.86-12.89 | * |
| 1.5 (905A2N) (AR 30146)             | Gasolina                                 | FWD | 1490 | 77 | 105 | 12.86-12.89 | * |
| 1.5 (905A2N) (AR 30508)             | Gasolina                                 | FWD | 1490 | 77 | 105 | 12.86-12.89 | * |
| 1.5 (905A2N) (AR 30588)             | Gasolina                                 | FWD | 1490 | 77 | 105 | 12.86-12.89 | * |
| 1.5 4x4 (905.A2U) (AR 30146)        | Gasolina                                 | 4WD | 1490 | 77 | 105 | 12.86-03.89 | * |
| 1.5 4x4 (905.A2U) (AR 30508)        | Gasolina                                 | 4WD | 1490 | 77 | 105 | 12.86-03.89 | * |
| 1.5 4x4 (905.A2U) (AR 30588)        | Gasolina                                 | 4WD | 1490 | 77 | 105 | 12.86-03.89 | * |

### NISSAN

| CHERRY IV / PULSAR (N12) 04.82-10.87 | [CAMBIADO]:Fastback (Compact car-C Segment) |     |      |    |    |        |   |
|--------------------------------------|---|-----|------|----|----|--------|---|
| 1.2 only ECE                         | Gasolina                                    | FWD | 1195 | 38 | 52 | 04.82- | * |

# LISTA DE APLICACIONES - BUYERS GUIDE

|                    |  |          |     |      |    |     |        |
|--------------------|--|----------|-----|------|----|-----|--------|
| 1.5 Turbo only ECE |  | Gasolina | FWD | 1495 | 77 | 105 | 04.82- |
|--------------------|--|----------|-----|------|----|-----|--------|

\*