


LISTA DE APLICACIONES - BUYERS GUIDE

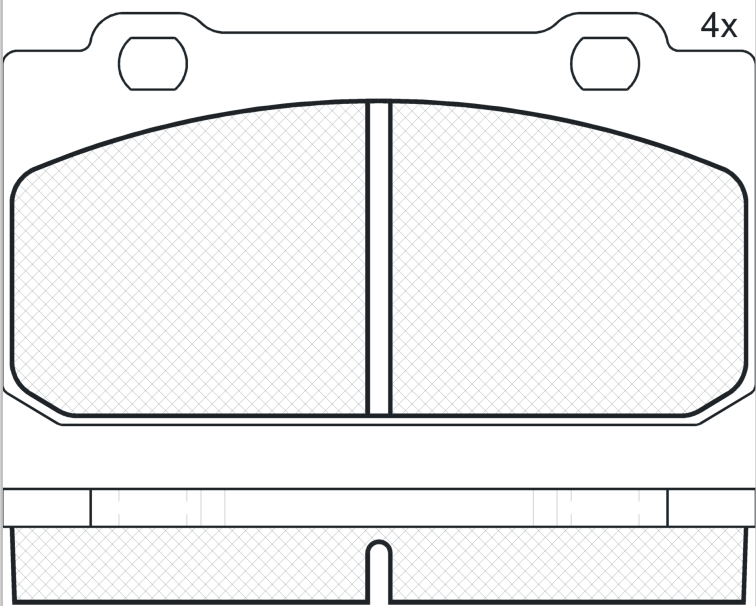
RB0477




8 424073 120175

Qty: 300 Weight: 1.114

O.E.M.	MAKE
0060 750 872	ALFA ROMEO
0060 795 338	ALFA ROMEO
41060-50465	NISSAN



RB0477



Ate - Teves

100.6x54.9x15

WVA

20944

Sin Filas



Trac.	CC	Kw	CV						
						Front / Rear			

ALFA ROMEO									
33 (905_) 05.83-12.93						[CAMBIADO]:Fastback (Compact car-C Segment)			
1.2 (905.A) (AR 30585)		Gasolina	FWD	1186	50	68	06.83-12.89	*	
1.3 (905.A1B, 905.A1C, 905.A1G) (AR 30502)		Gasolina	FWD	1351	55	75	06.83-12.89	*	
1.3 (905.A1B, 905.A1C, 905.A1G) (AR 30586)		Gasolina	FWD	1351	55	75	06.83-12.89	*	
1.3 (905.A1A, 905.A1C, 905.A1D, 905.A1F, 905.A1H) (AR 30168)		Gasolina	FWD	1351	63	86	10.84-12.89	*	
1.3 (905.A1A, 905.A1C, 905.A1D, 905.A1F, 905.A1H) (AR 30587)		Gasolina	FWD	1351	63	86	10.84-12.89	*	
1.5 (905.A2A) (AR 30143)		Gasolina	FWD	1490	62	84	05.83-12.87	*	
1.5 (905.A2A) (AR 30504)		Gasolina	FWD	1490	62	84	05.83-12.87	*	
33 Sport Wagon (905_) 01.84-12.89						[CAMBIADO]:Break (Compact car-C Segment)			
1.5 (905A2U) (AR 30588)		Gasolina	FWD	1490	75	102	12.86-12.89	*	
1.5 4x4 (905A2S, 905A2U) (AR 30588)		Gasolina	4WD	1490	75	102	12.86-12.89	*	
1.5 (905A2N) (AR 30146)		Gasolina	FWD	1490	77	105	12.86-12.89	*	
1.5 (905A2N) (AR 30508)		Gasolina	FWD	1490	77	105	12.86-12.89	*	
1.5 (905A2N) (AR 30588)		Gasolina	FWD	1490	77	105	12.86-12.89	*	
1.5 4x4 (905.A2U) (AR 30146)		Gasolina	4WD	1490	77	105	12.86-03.89	*	
1.5 4x4 (905.A2U) (AR 30508)		Gasolina	4WD	1490	77	105	12.86-03.89	*	
1.5 4x4 (905.A2U) (AR 30588)		Gasolina	4WD	1490	77	105	12.86-03.89	*	
ALFASUD Sprint (902_) 09.76-12.89						Coupé (Compact car-C Segment)			
1.7 (902C2E) (AR 30550)		Gasolina	FWD	1712	87	118	03.87-12.89	*	
NISSAN									

LISTA DE APLICACIONES - BUYERS GUIDE

CHERRY IV / PULSAR (N12) 04.82-10.87				[CAMBIADO]:Fastback (Compact car-C Segment)				
1.5 Turbo only ECE	Gasolina	FWD	1495	77	105	04.82-	*	