

LISTA DE APLICACIONES - BUYERS GUIDE

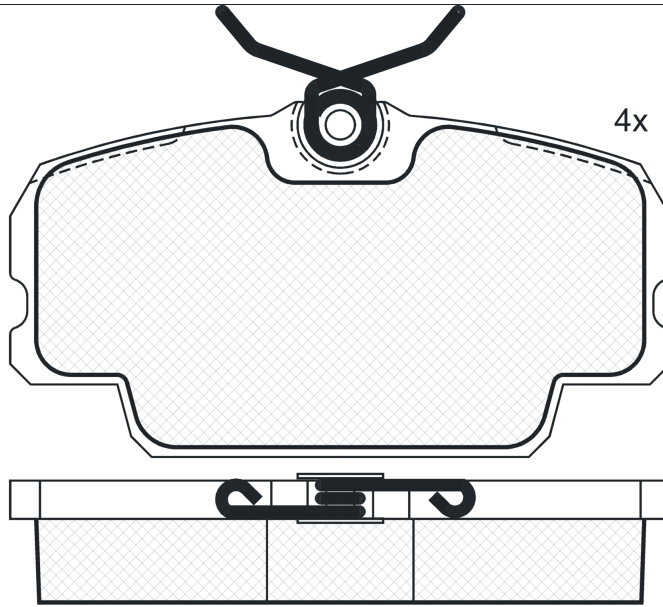
RB0419-700



Qty: 300

Weight: 1.168

O.E.M.	MAKE
001 420 10 20	MERCEDES-BENZ
34 11 1 154 442 o.e	BMW
34 11 1 154 443 o.e	BMW
34 11 1 156 898 o.e	BMW
89 61 815	SAAB



RB0419-700



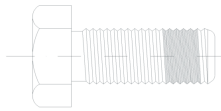
Lucas - Girling

95x51.1x17.5

WVA	FMSI
20748	D278-7181
20749	D278-7324
20890	
20891	

Sin Filas

180419-700



1-690042



Trac.	CC	Kw	CV
-------	----	----	----



Front / Rear

BMW

3 Serie II (E30) 09.82-03.92

Sedán (Compact executive car-D Segment)

Modelo	Motor	Trac.	CC	Kw	CV	Período	Nota
316 (M10 B18 (184VD))	Gasolina	RWD	1766	66	90	09.83-06.88	*
316 (Ecotronic) (M10 B18 (184VD))	Gasolina	RWD	1766	66	90	09.83-06.88	*
318i (M10 B18 (184KA))	Gasolina	RWD	1766	75	102	12.84-08.88	*
318i (M10 B18 (184EA))	Gasolina	RWD	1766	77	105	09.82-08.87	*
318i (M10 B18 (184EB))	Gasolina	RWD	1766	77	105	09.82-08.87	*
318i (M10 B18 (184EZ))	Gasolina	RWD	1766	77	105	09.82-08.87	*
320i (M20 B20 (206EB))	Gasolina	RWD	1990	92	125	09.82-12.91	*
320i (M20 B20 (206KA))	Gasolina	RWD	1990	95	129	10.86-04.91	*
323 i (M20 B23 (236EB))	Gasolina	RWD	2316	102	139	09.82-08.83	*
323 i (M20 B23 (236EC))	Gasolina	RWD	2316	110	150	09.83-09.86	*
323 i (M20 B23 (236EW))	Gasolina	RWD	2316	110	150	09.83-09.86	*
325i (M20 B25 (256E2))	Gasolina	RWD	2494	126	171	09.83-11.89	*
325 e 2.7 (M20 B27 (276KA))	Gasolina	RWD	2693	90	122	10.83-12.88	*
325 e 2.7 (M20 B27 (276KB))	Gasolina	RWD	2693	90	122	10.83-12.88	*

MERCEDES-BENZ

190 (W201) 10.82-08.93

Sedán (Compact executive car-D Segment)

Modelo	Motor	Trac.	CC	Kw	CV	Período	Nota
2.0 (201.022) (M 102.921)	Gasolina	RWD	1996	66	90	10.82-10.84	*
2.0 (201.023) (M 102.924)	Gasolina	RWD	1996	77	105	08.83-05.90	*
E 2.0 (201.024) (M 102.961)	Gasolina	RWD	1996	90	122	10.82-06.93	*
E 2.0 (201.024) (M 102.962)	Gasolina	RWD	1996	90	122	10.82-06.93	*
E 2.0 (201.024) (M 102.961)	Gasolina	RWD	1996	93	126	10.82-06.93	*
E 2.3-16 (201.034) (M 102.983)	Gasolina	RWD	2298	136	185	04.84-01.87	*

LISTA DE APLICACIONES - BUYERS GUIDE

E 2.6 (201.029) (M 103.942)	Gasolina	RWD	2597	118	160	09.86-08.93	*
2.6 (201.029) (M 103.942)	Gasolina	RWD	2599	118	160	10.82-09.88	*
D 2.0 (201.122) (OM 601.911)	Diesel	RWD	1997	53	72	08.83-08.89	*
D 2.5 (201.126) (OM 602.911)	Diesel	RWD	2497	69	94	08.89-08.93	*

SAAB

						[CAMBIADO]:Fastback (Executive car-E Segment)	
9000 09.84-12.98							
2.0 -16 (B202XI)	Gasolina	FWD	1985	92	125	12.85-12.88	*
2.0 -16 (B202XI)	Gasolina	FWD	1985	94	128	12.85-08.88	*
2.0 -16 Turbo (B202XL)	Gasolina	FWD	1985	118	160	09.84-08.93	*